

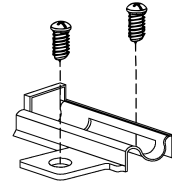
L416



4x16 mm.

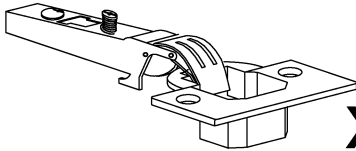
x16

H2E



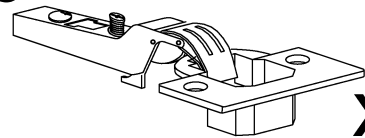
x6

CS0

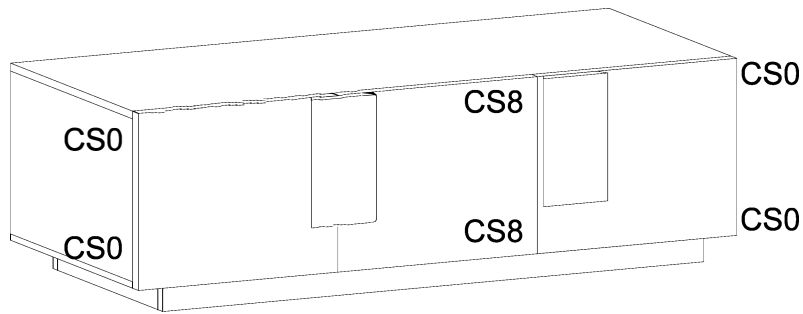


x4

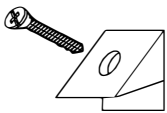
CS8



x2

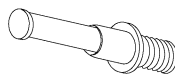


A



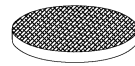
x28

D



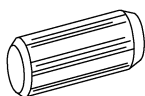
x8

F3



x8

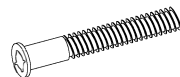
B



8x30 mm.

x17

E



7x60 mm.

x8

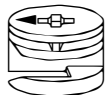
L430



4x30 mm.

x4

C



ø15 mm.

x8

T9



ø9 mm.

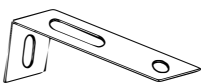
x8

P



x6

PST



x1

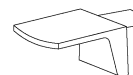
T20



ø20 mm.

x8

R



x12

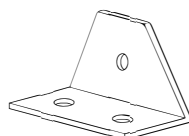
L418



4x18 mm.

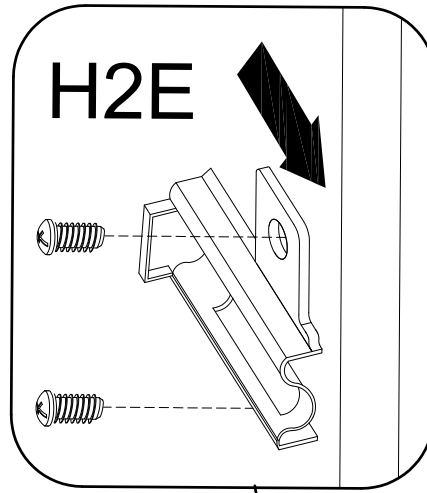
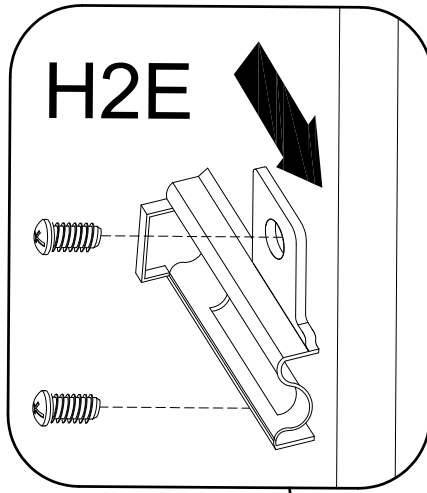
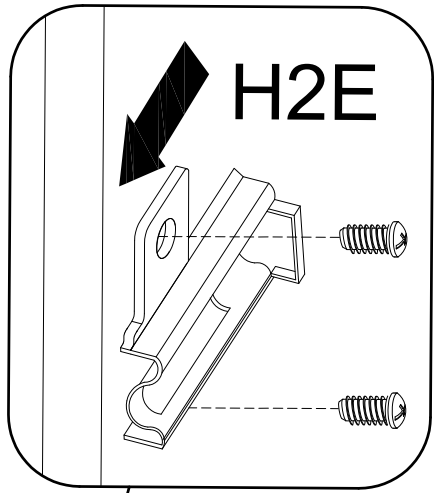
x51

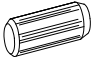
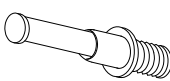
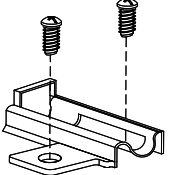
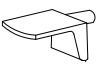
P7

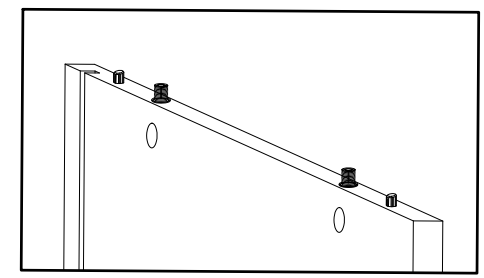
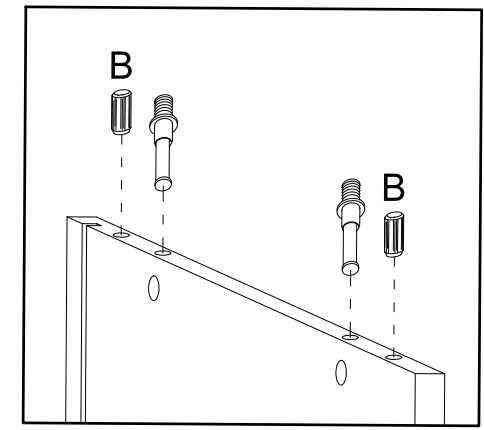
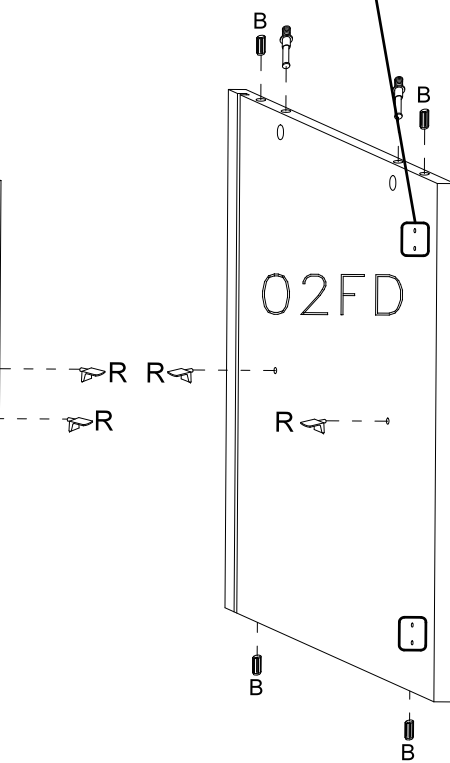
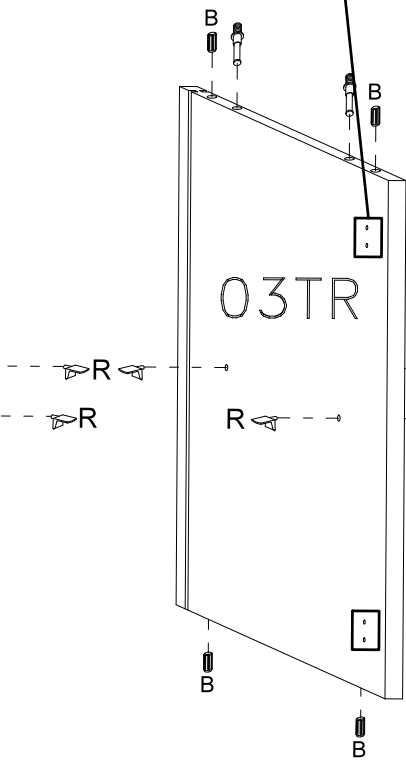
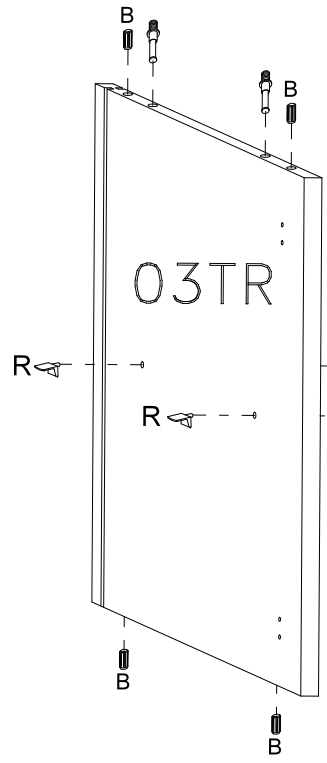
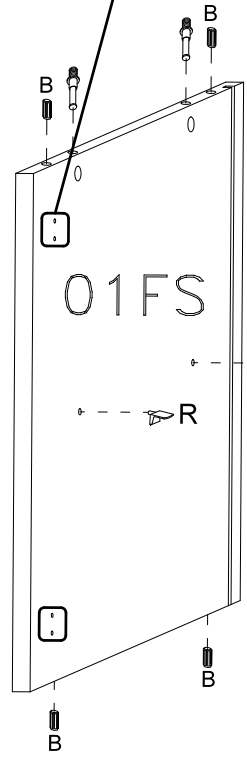


x16

1

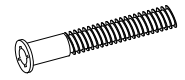


- B  8x30 mm. x16
- D  x8
- H2E  x6
- R  x8



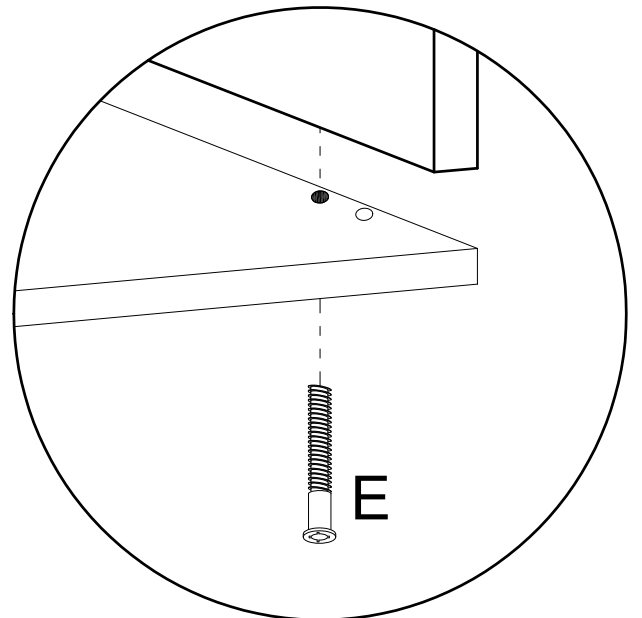
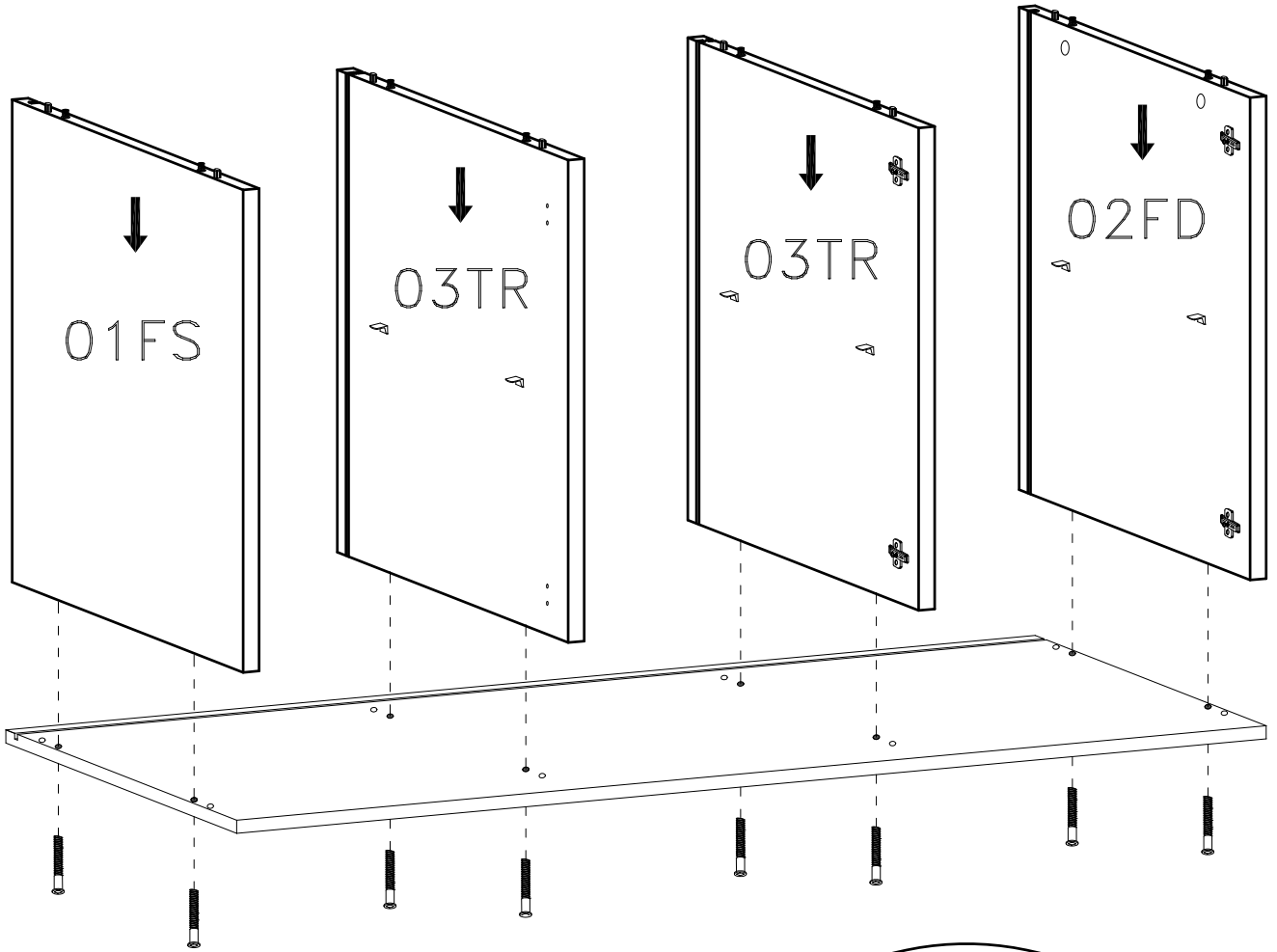
2

E

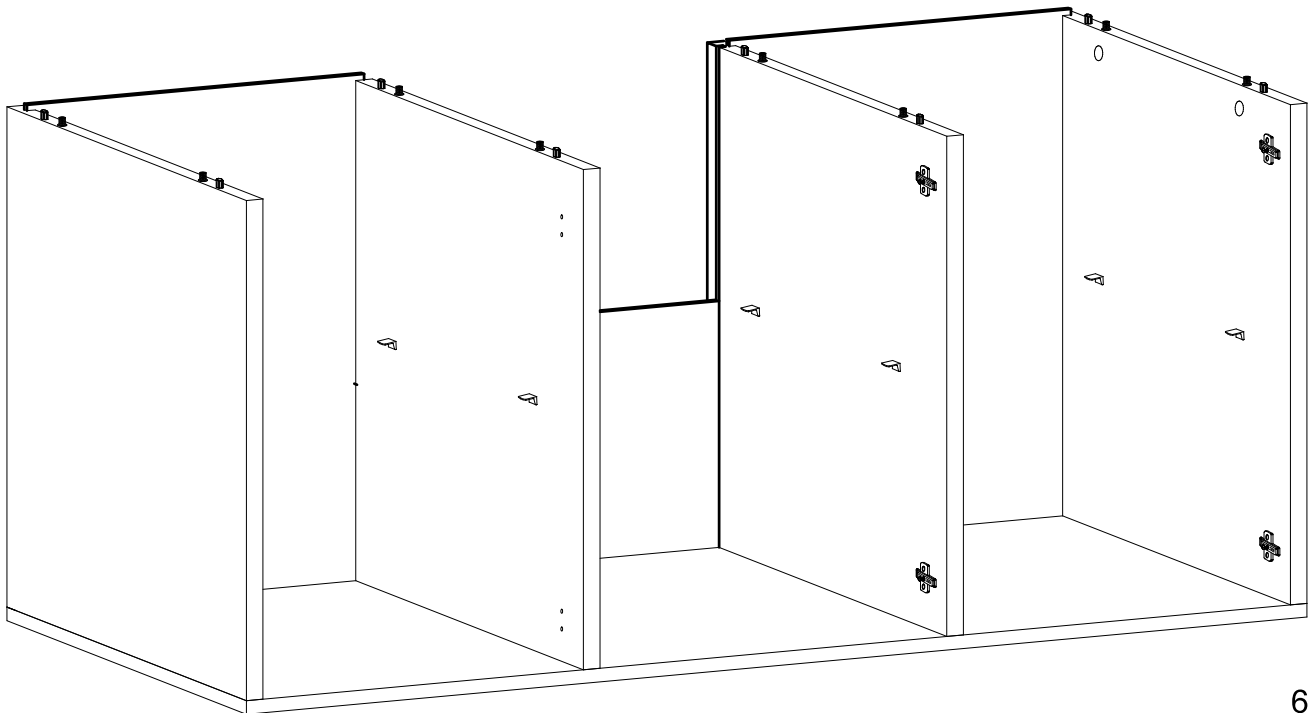
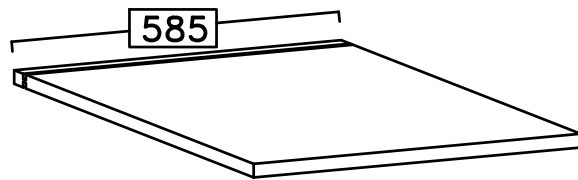
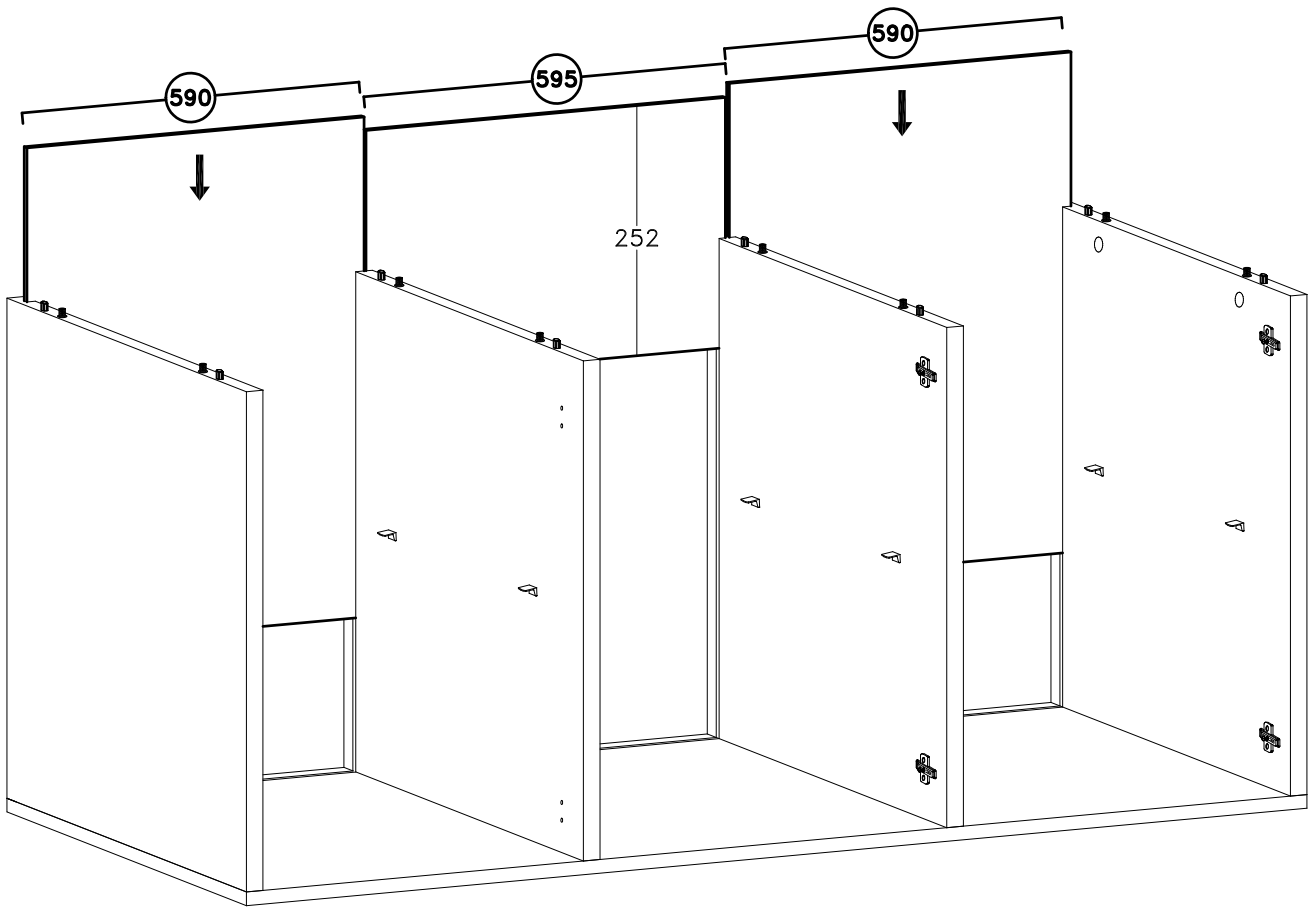


7x60 mm.

x8



3



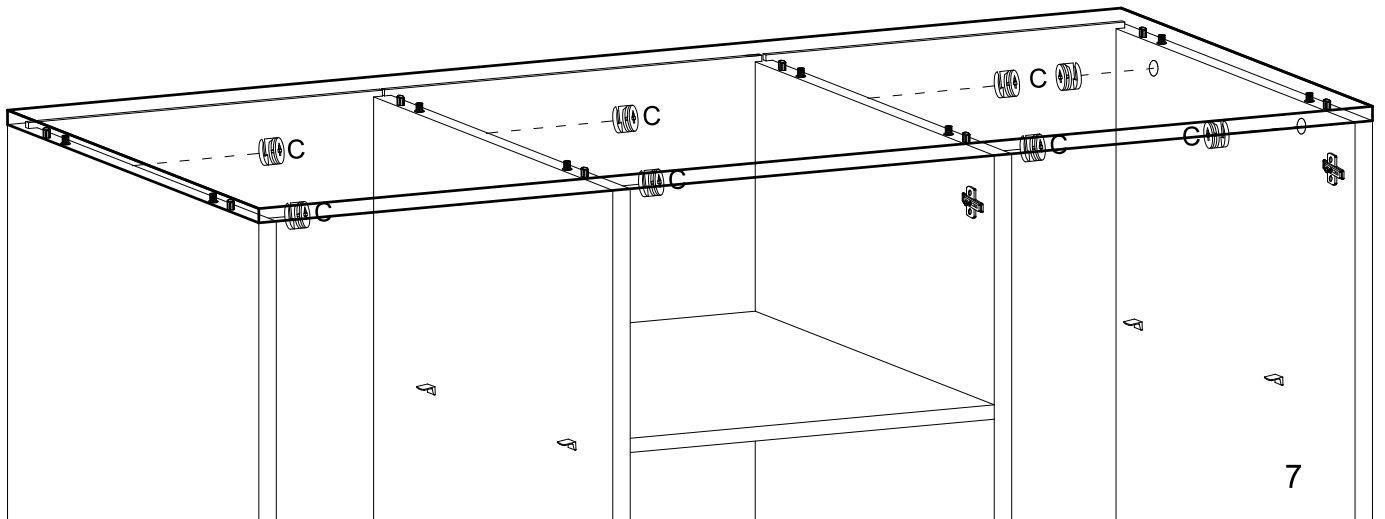
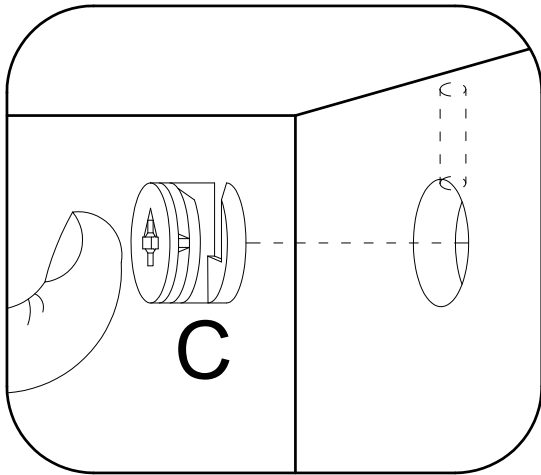
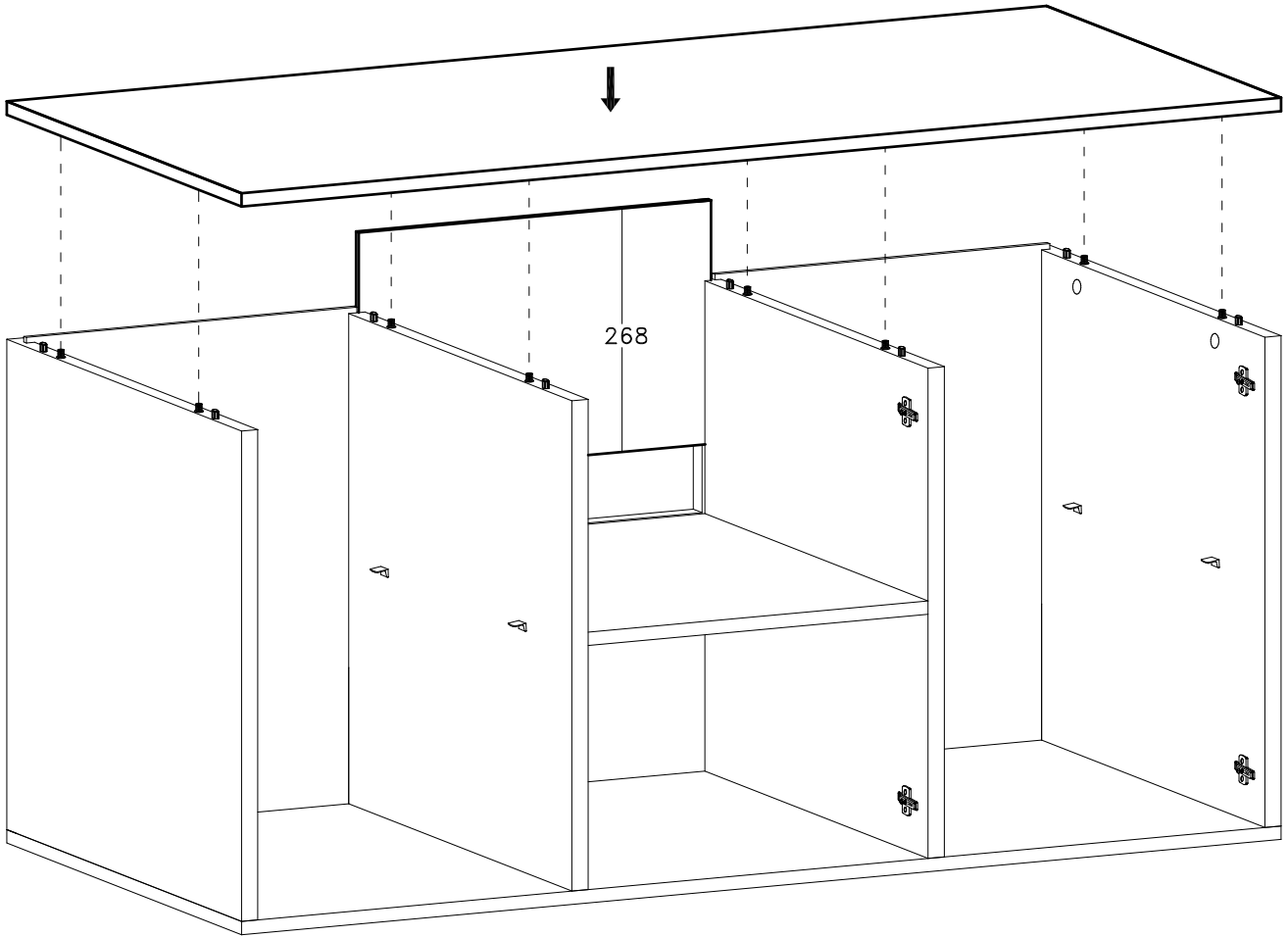
4

C

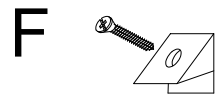


∅15 x 12 mm

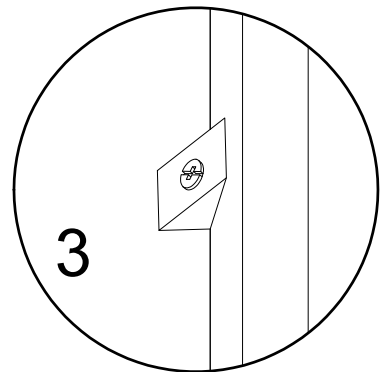
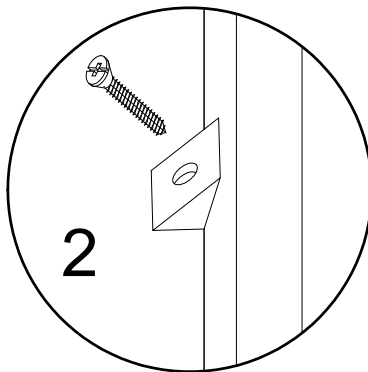
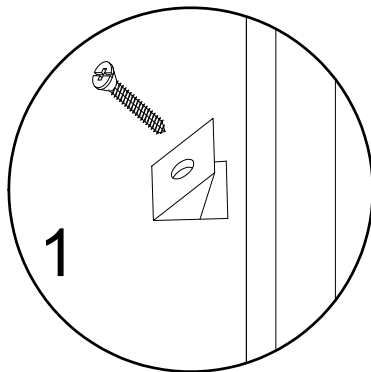
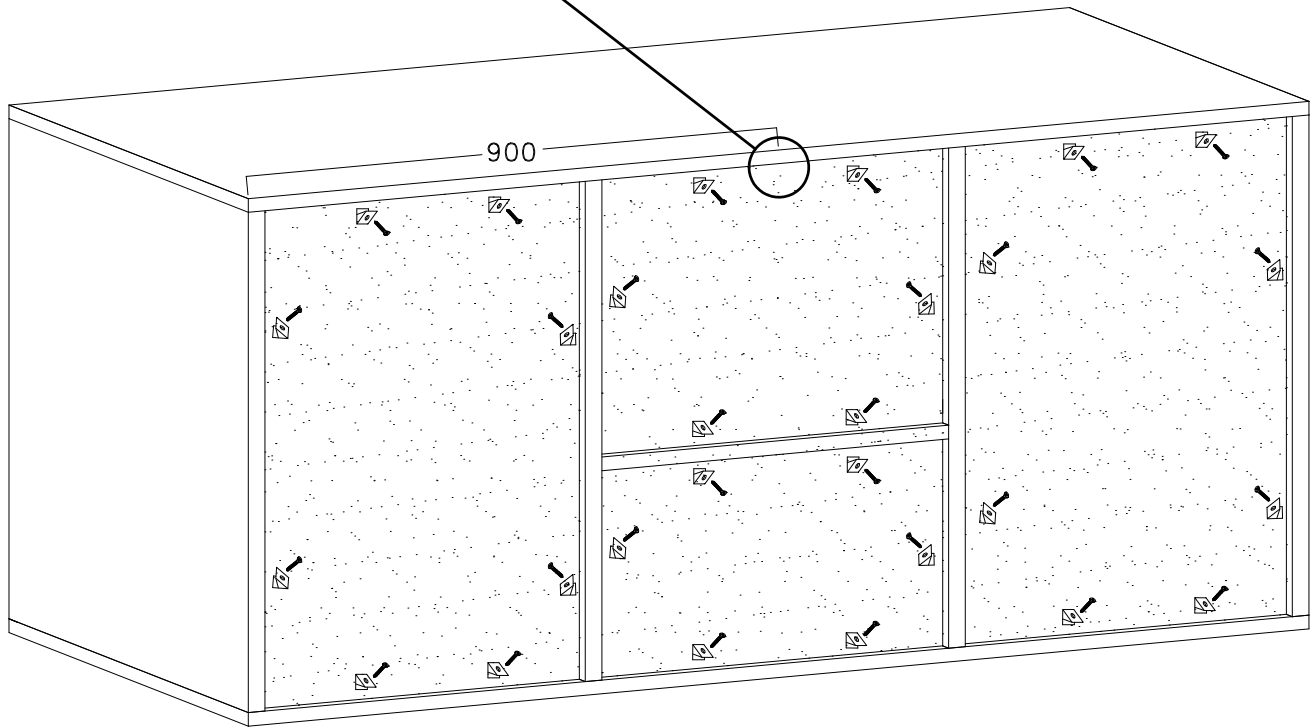
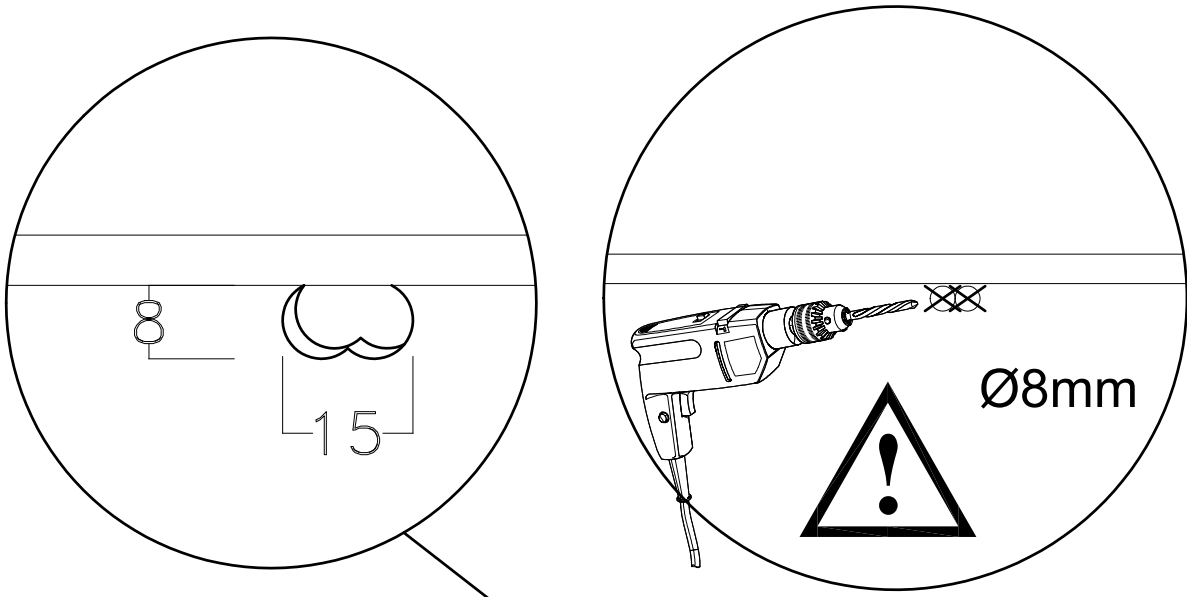
x8



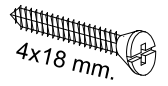
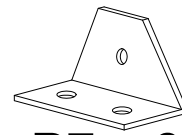
5



x24

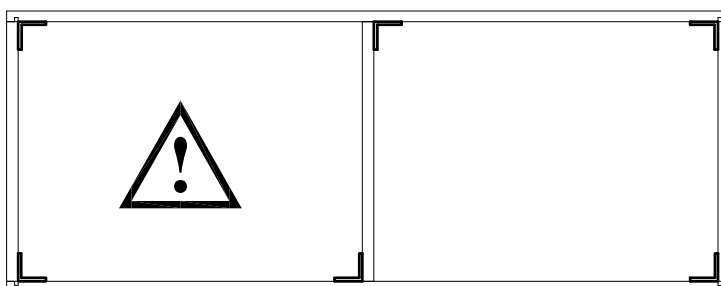
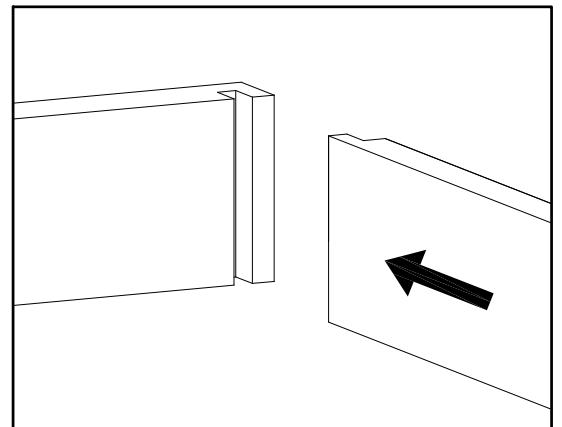
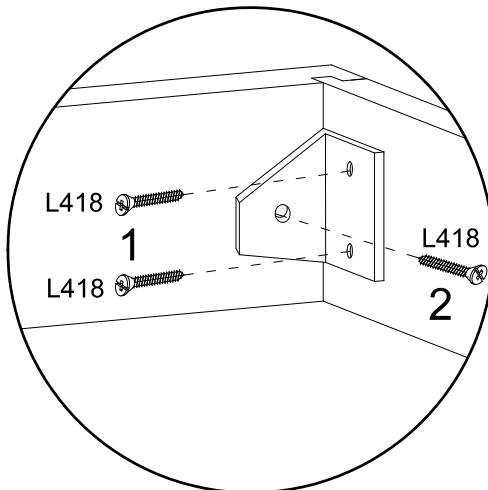
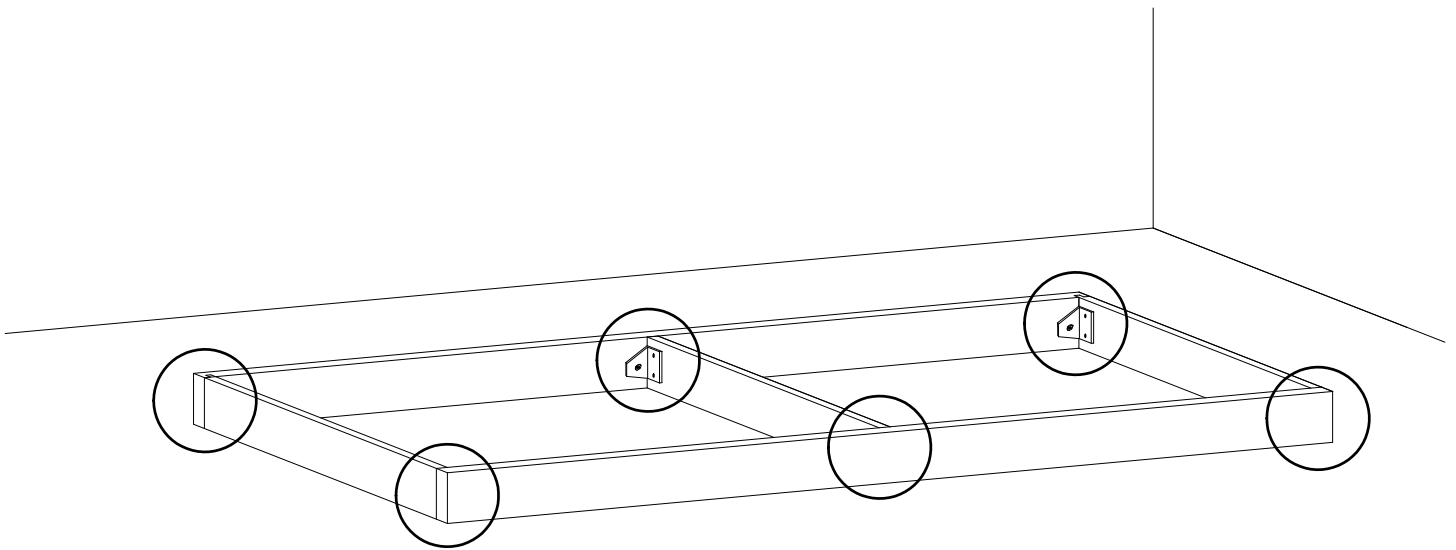
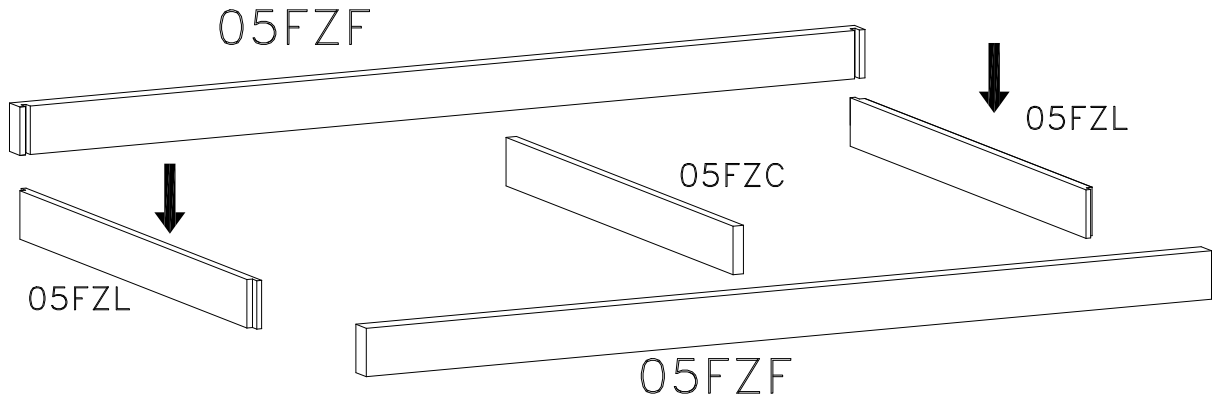


6

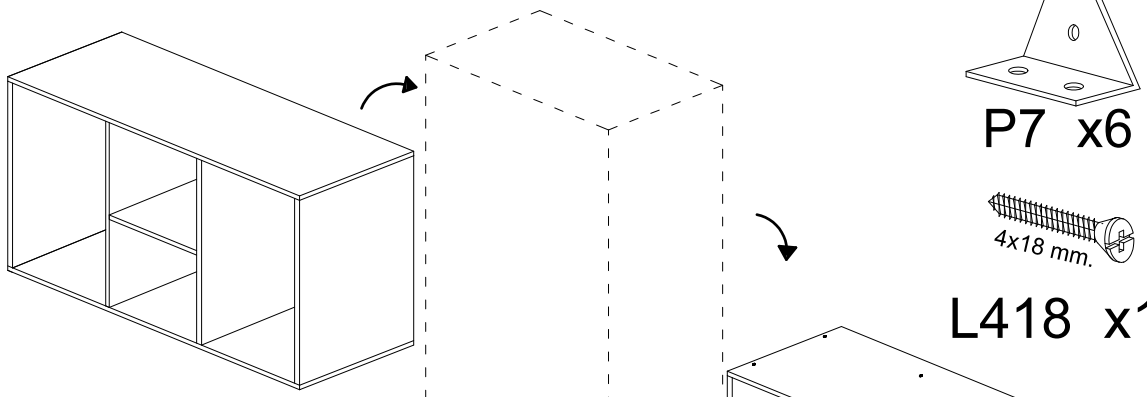


P7 x6

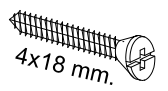
L418 x18



7

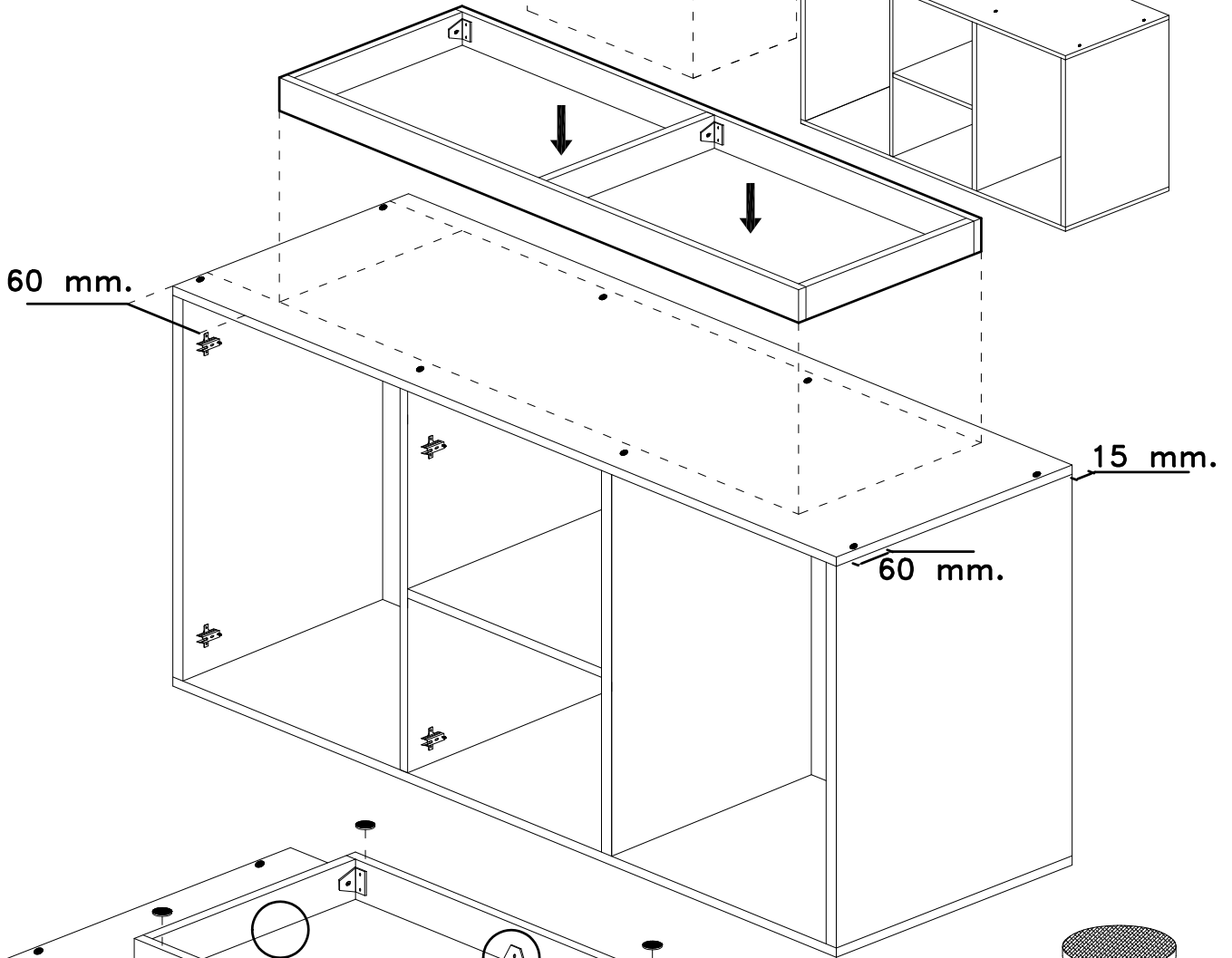


P7 x6



4x18 mm.

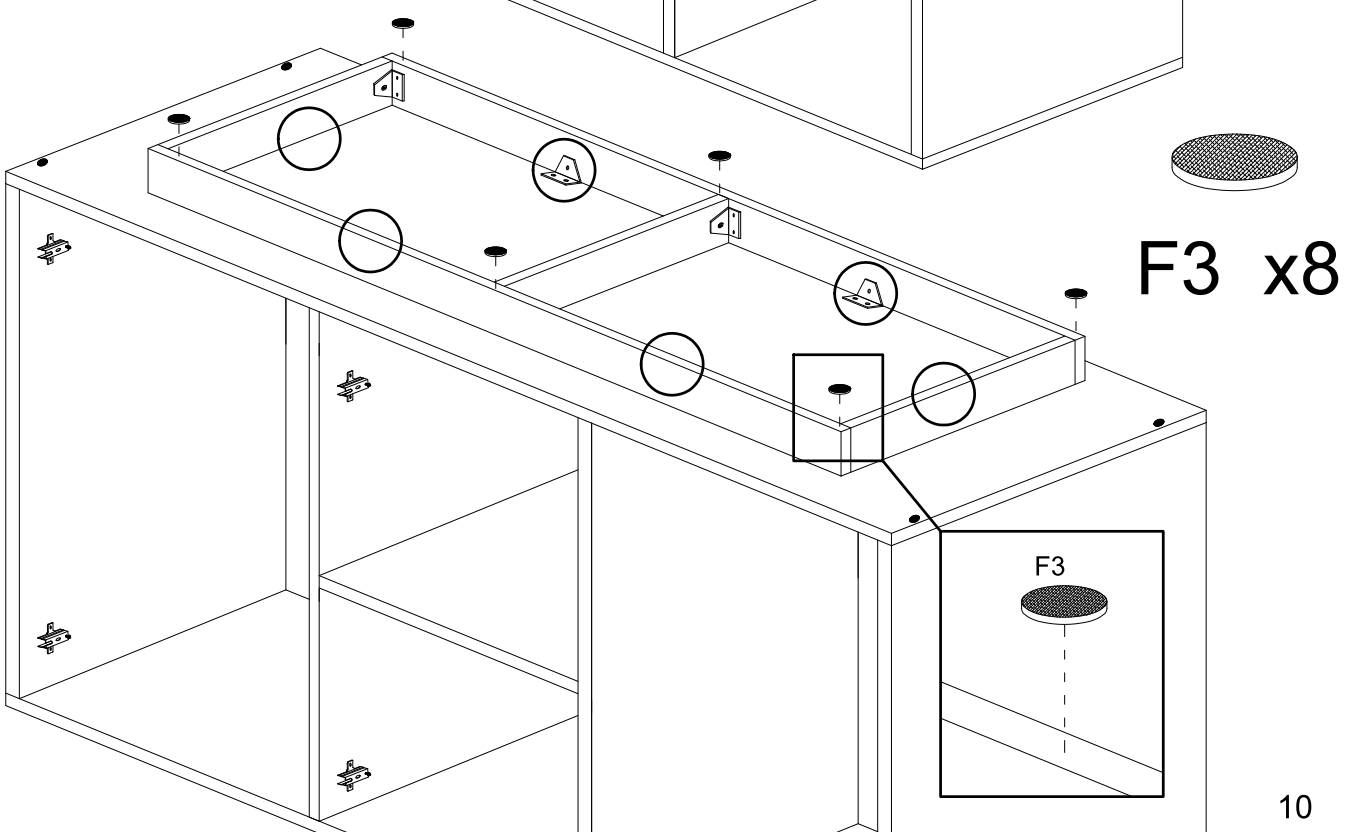
L418 x18



60 mm.

15 mm.

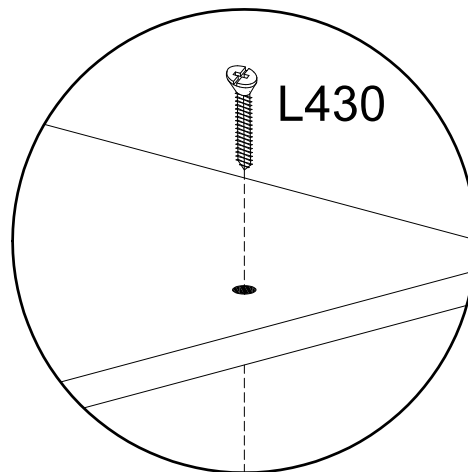
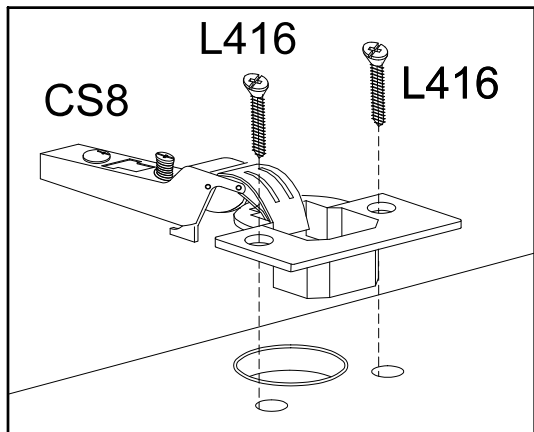
60 mm.



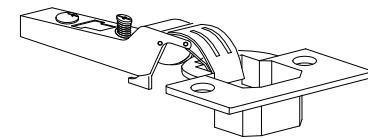
F3 x8

F3

8

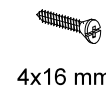


CS8



x2

L416



x4

P

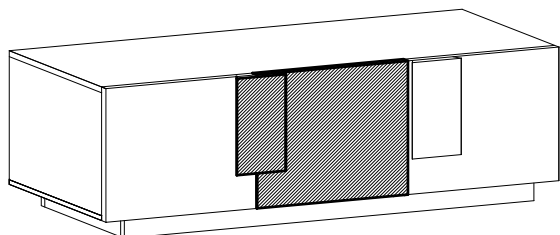
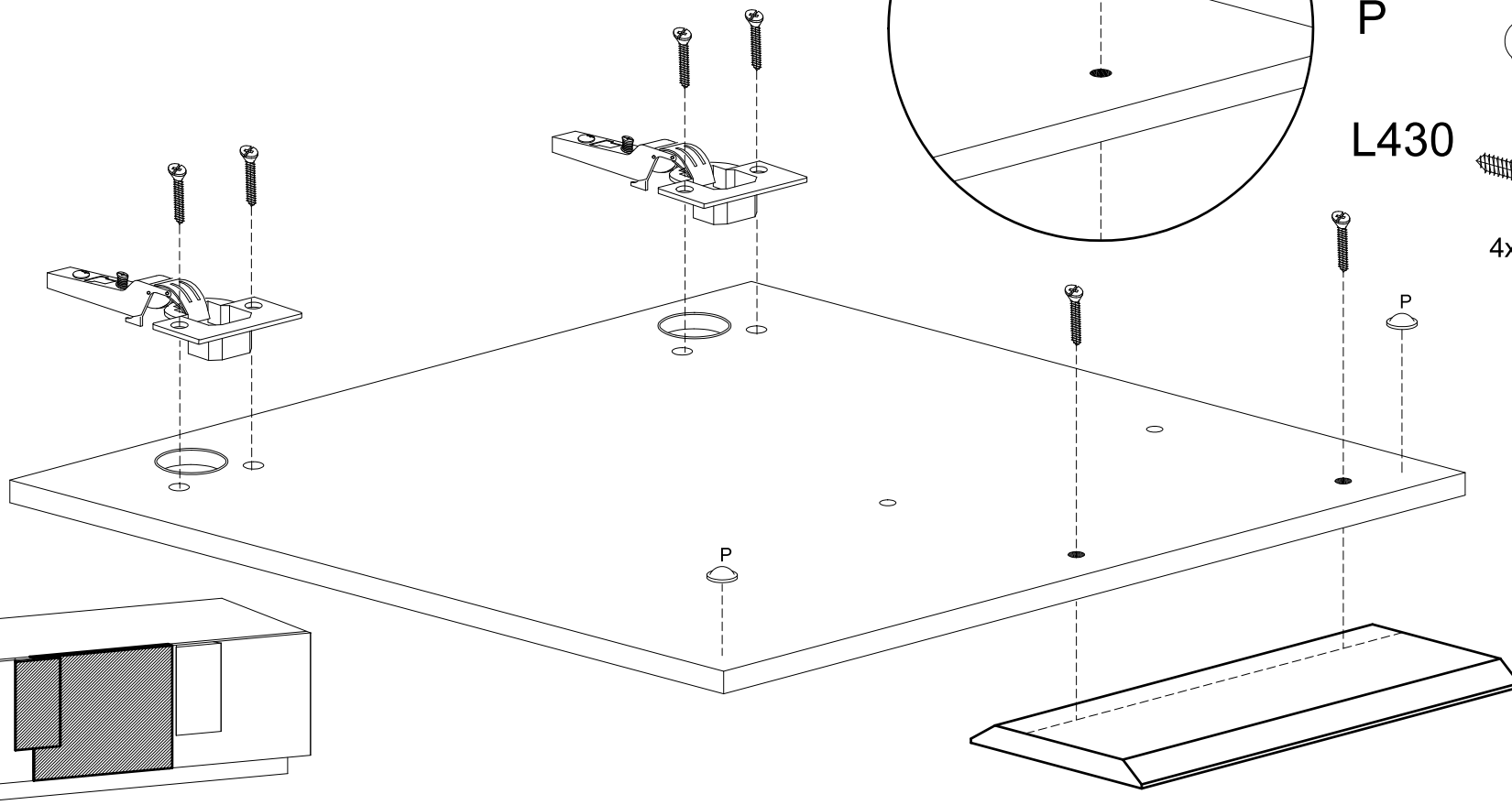


x2

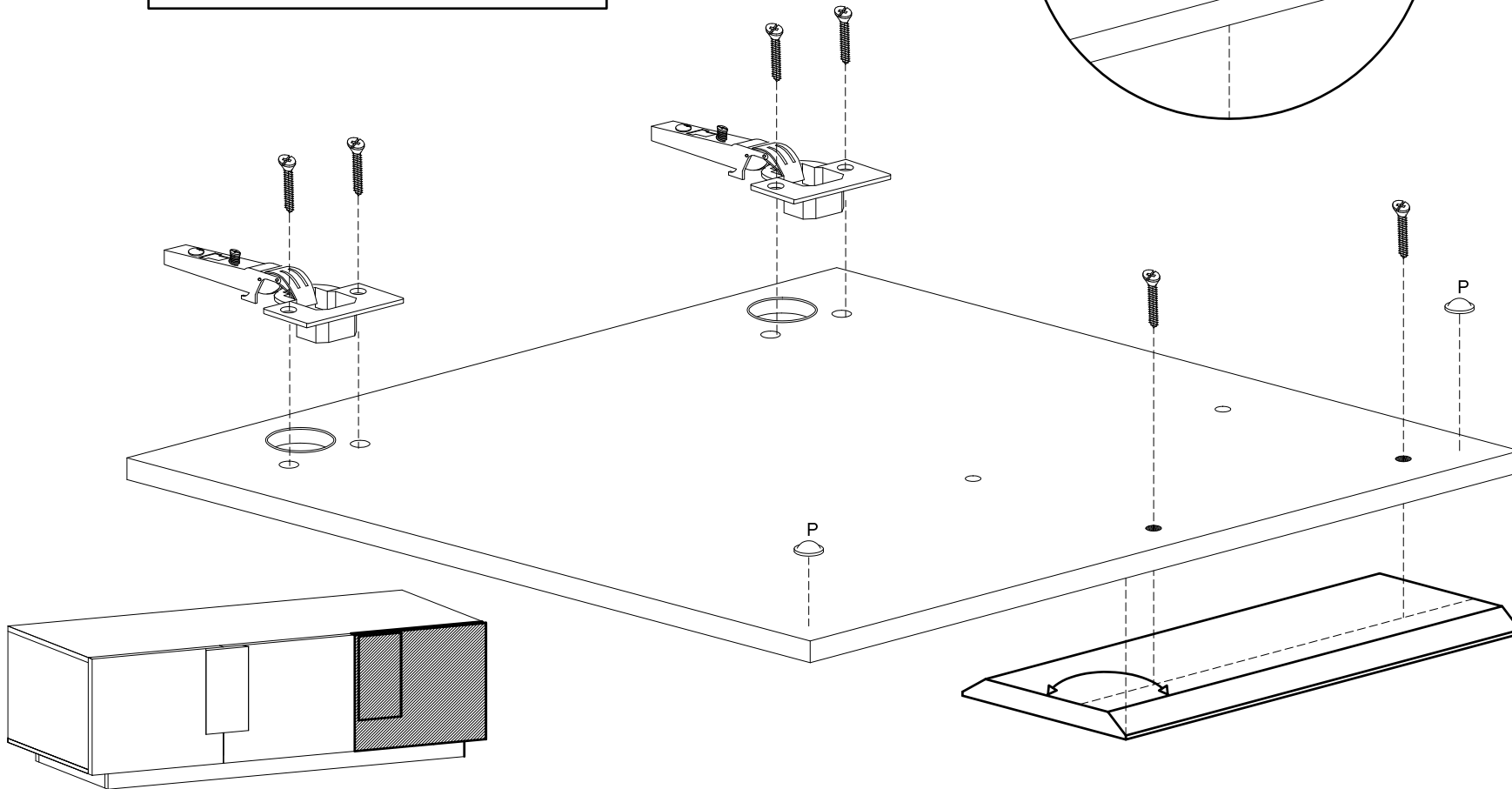
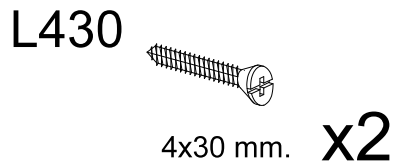
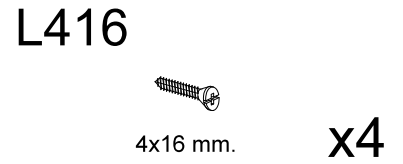
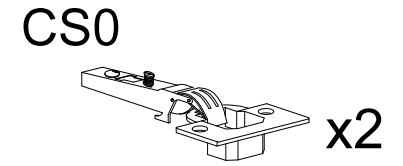
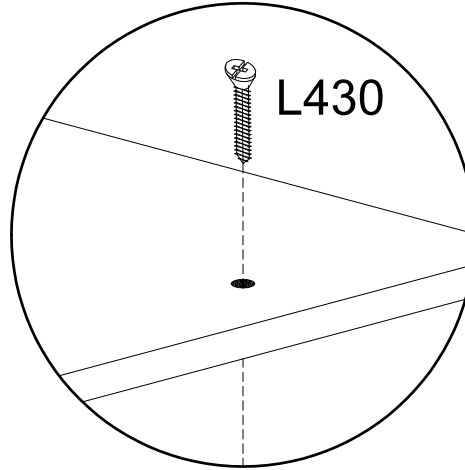
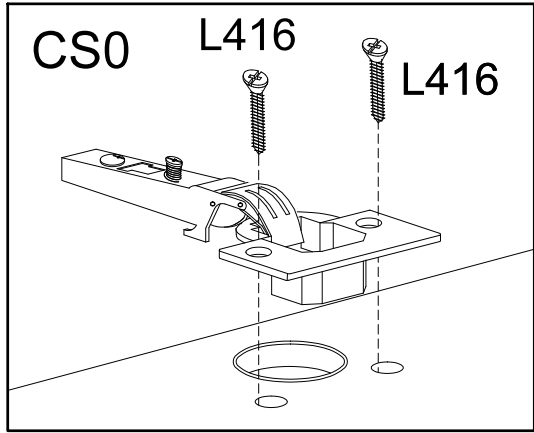
L430



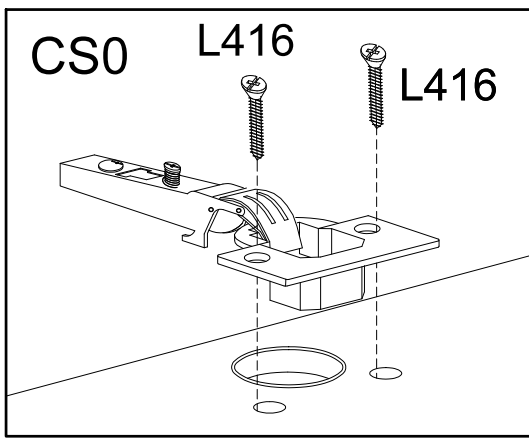
x2



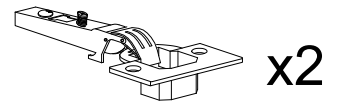
9



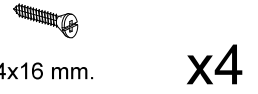
10



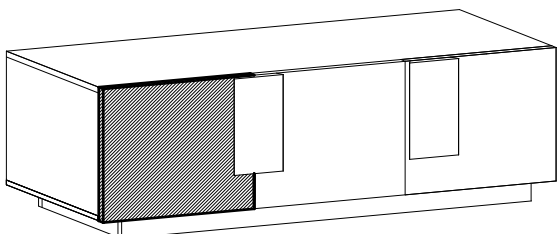
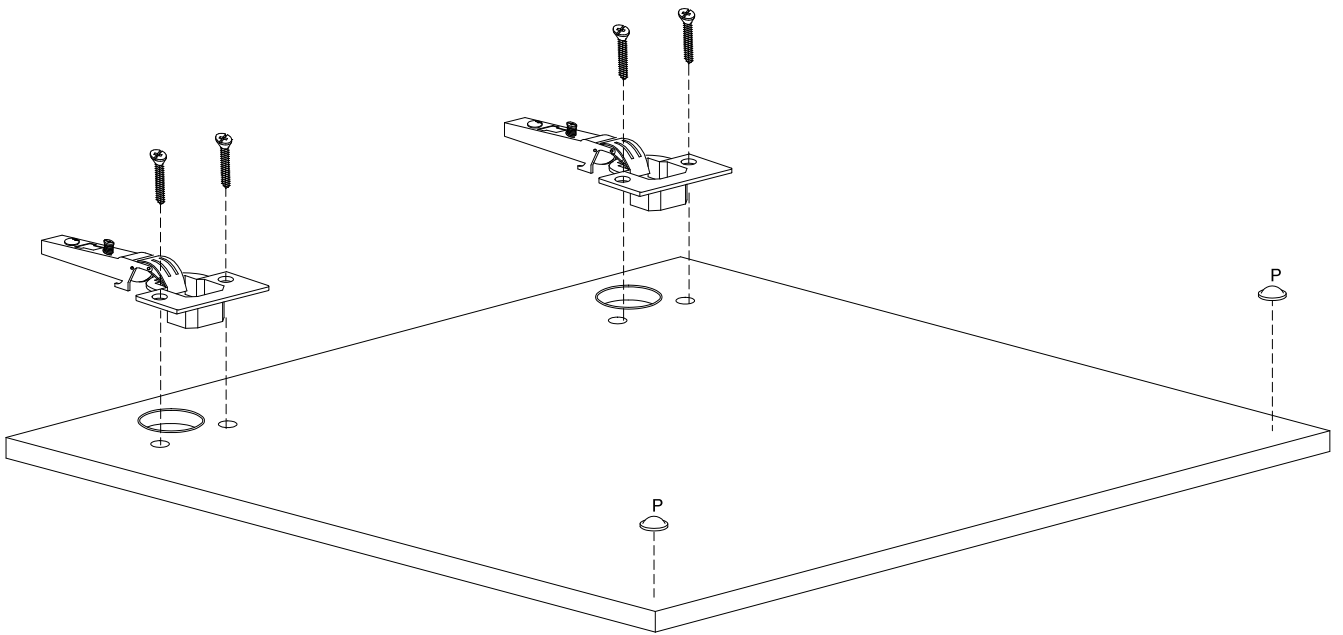
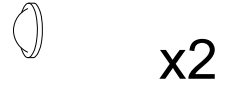
CS0



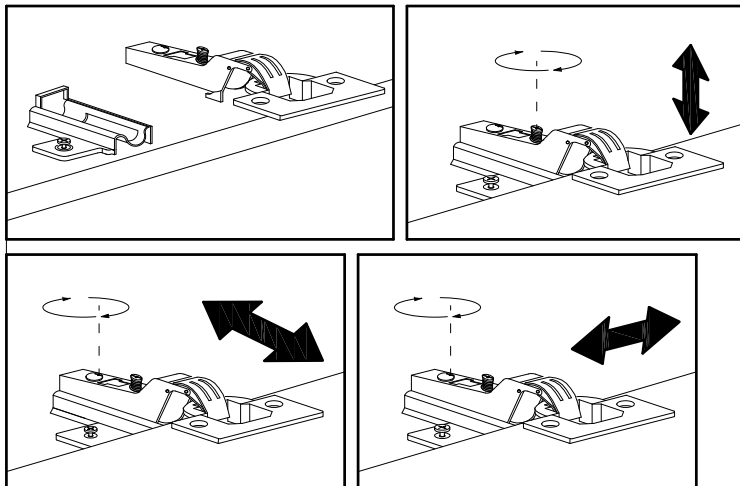
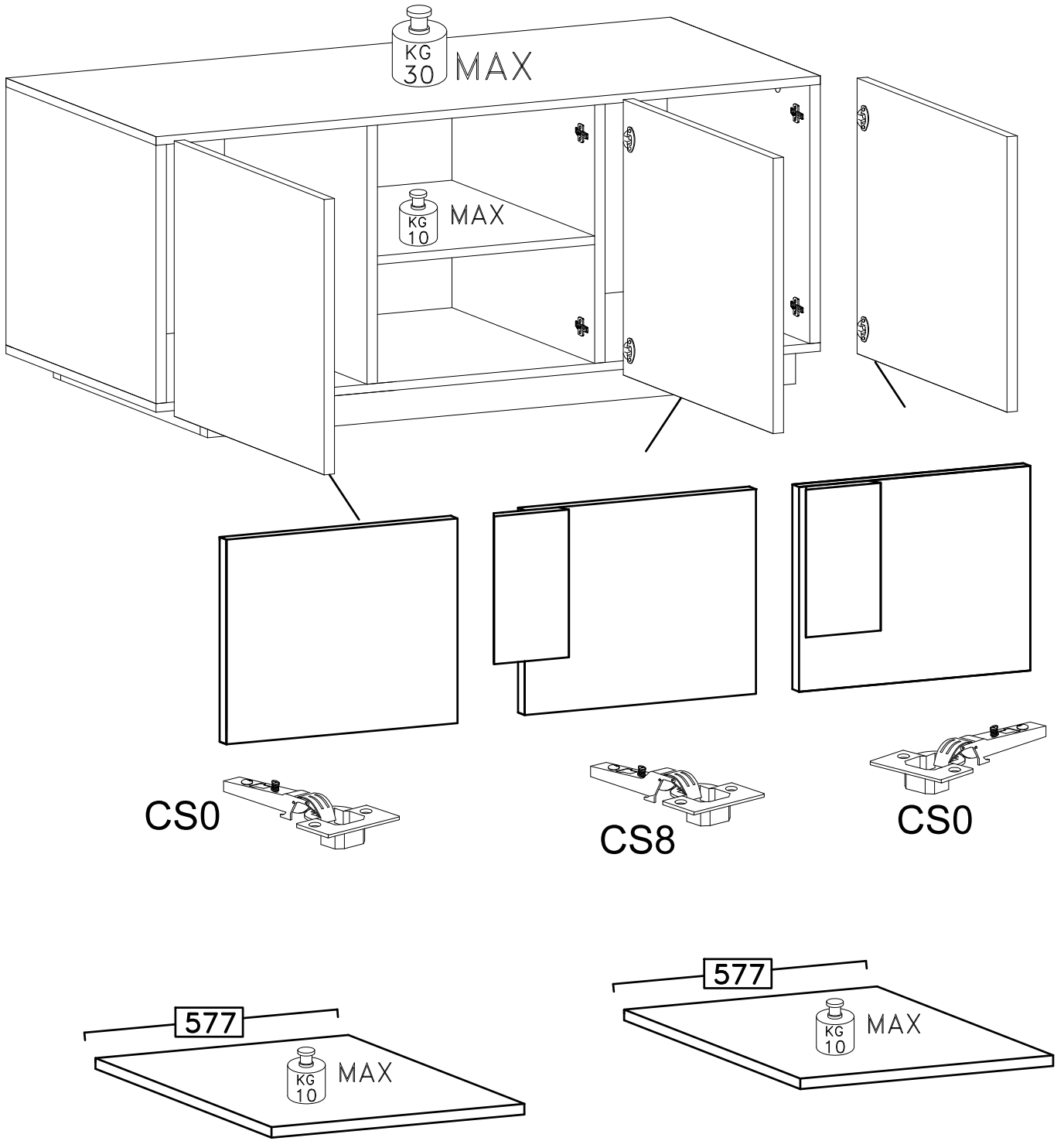
L416




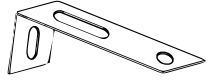
P



12



L418  x2
4x18 mm.

PST  x1

