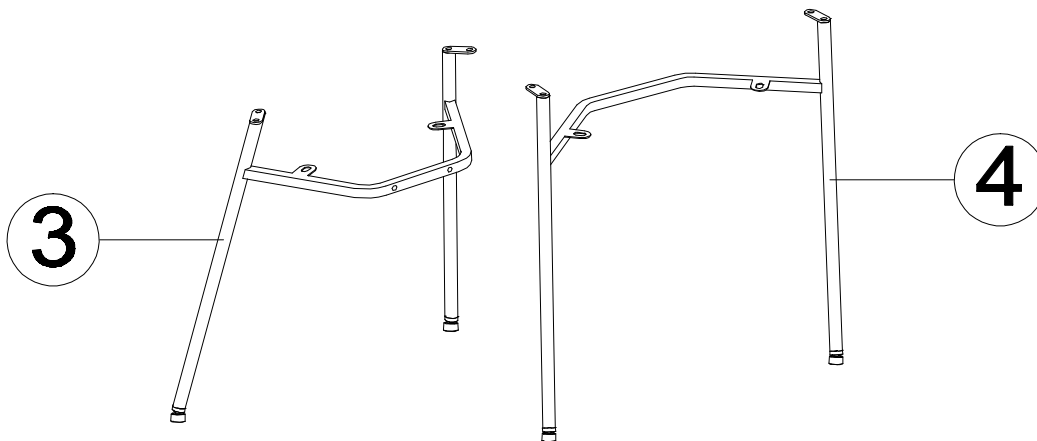
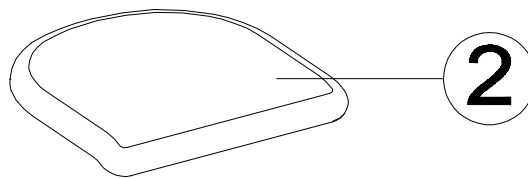
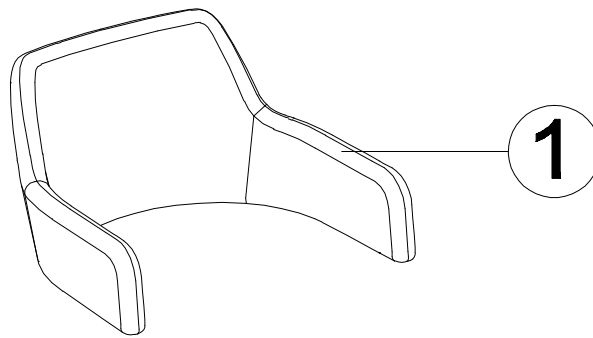
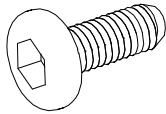
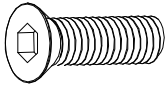
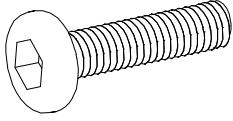
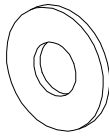
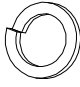
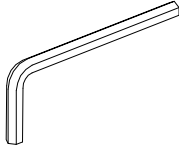
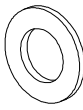
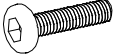


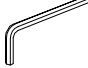


| | | | |
|---|---|-------------|--|
| ① | 1 | 500X530X305 | |
| ② | 1 | 465X465X70 | |
| ③ | 1 | 550X480X185 | |
| ④ | 1 | 550X550X170 | |

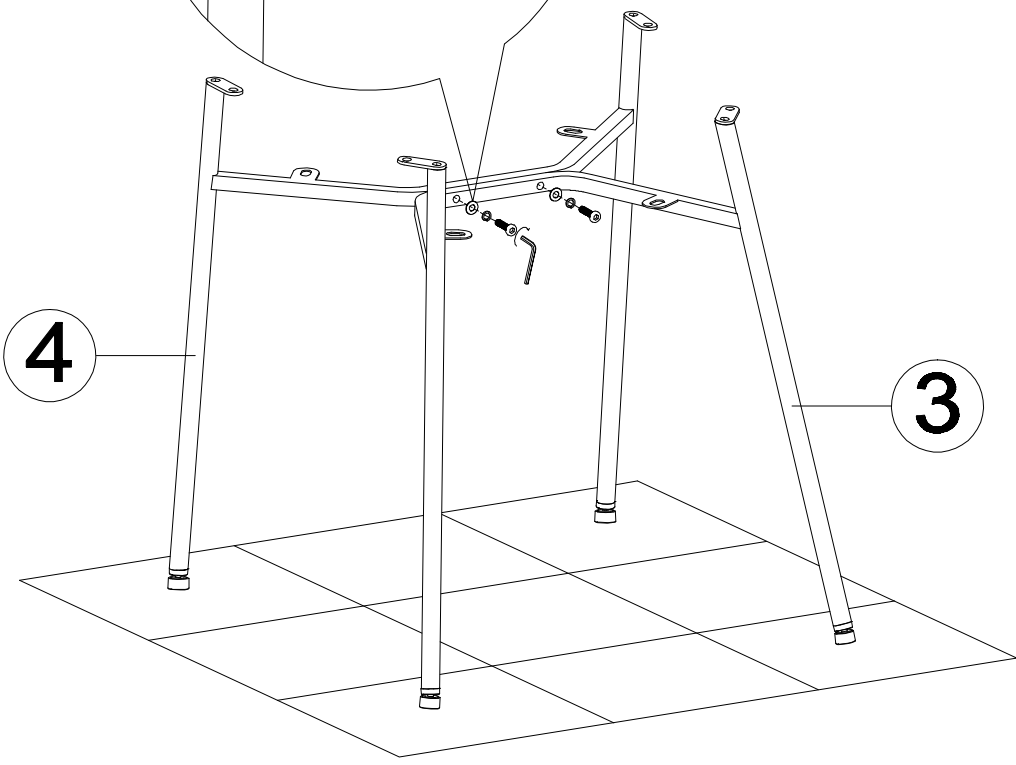
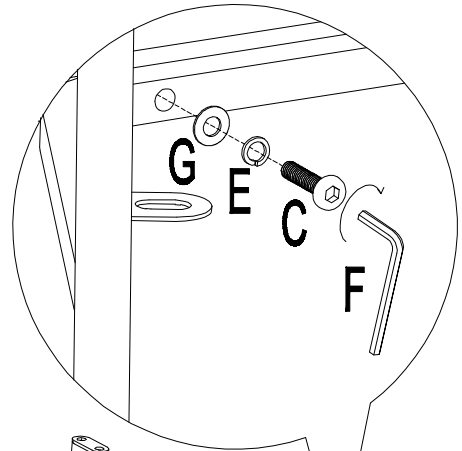


| | | |
|---|---|---|
| <p>AX4</p>  <p>M6X16mm</p> | <p>BX4</p>  <p>M6X16mm</p> | <p>CX2</p>  <p>M6X30mm</p> |
| <p>DX4</p>  <p>M6X18mm</p> | <p>EX2</p>  <p>M6X10mm</p> | <p>FX1</p>  <p>M4</p> |
| <p>GX2</p>  <p>M6X14mm</p> | | |


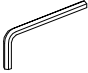
1

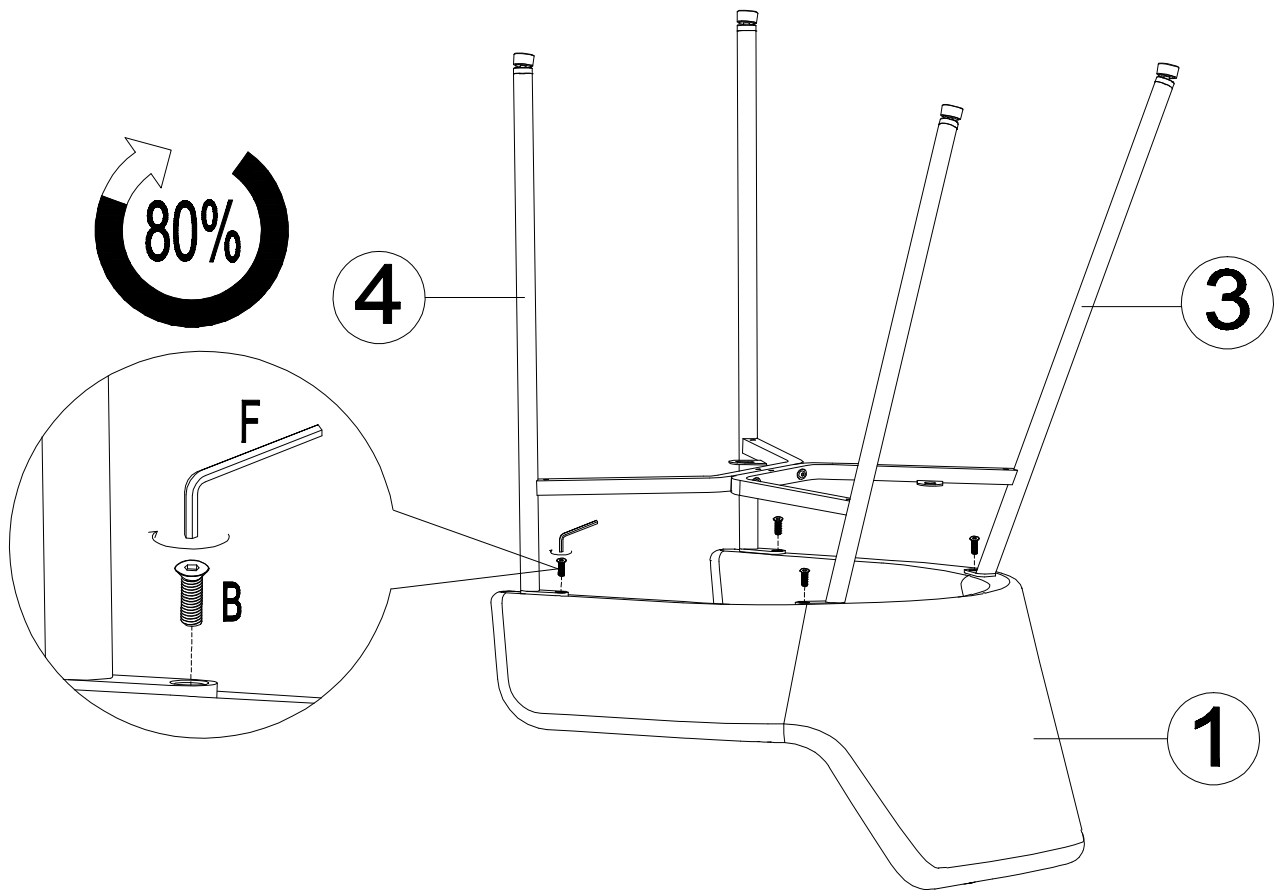
| | | | |
|---|---|---|--|
| CX2  M6X30mm | GX2  M6X14mm | EX2  M6X10mm | FX1  M4 |
|---|---|---|--|

80%

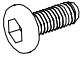

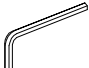


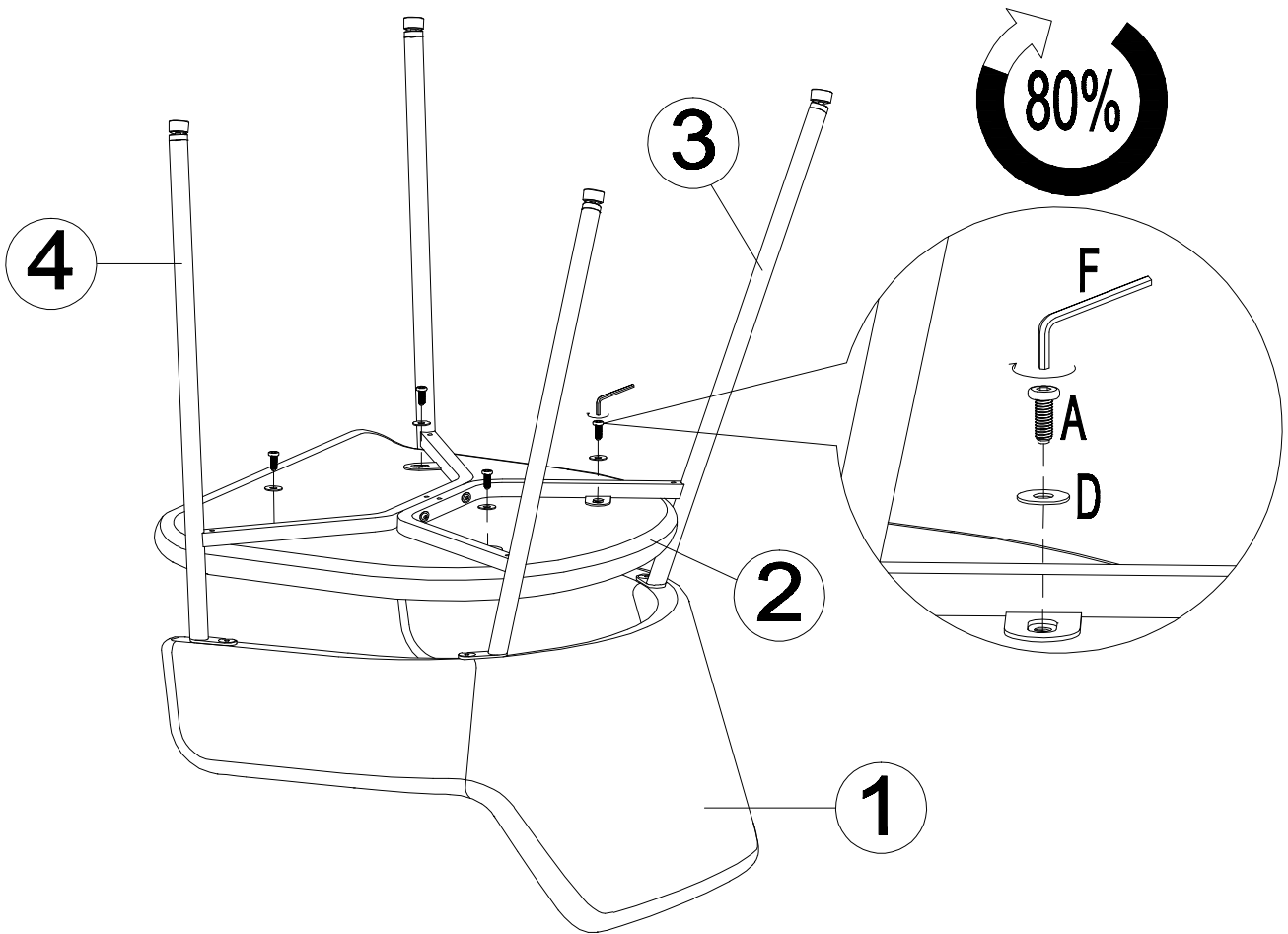
2

| | |
|---|--|
| BX4  M6X16mm | FX1  M4 |
|---|--|



3

| | | |
|---|---|--|
| AX4  M6X16mm | DX4  M6X18mm | FX1  M4 |
|---|---|--|



4

