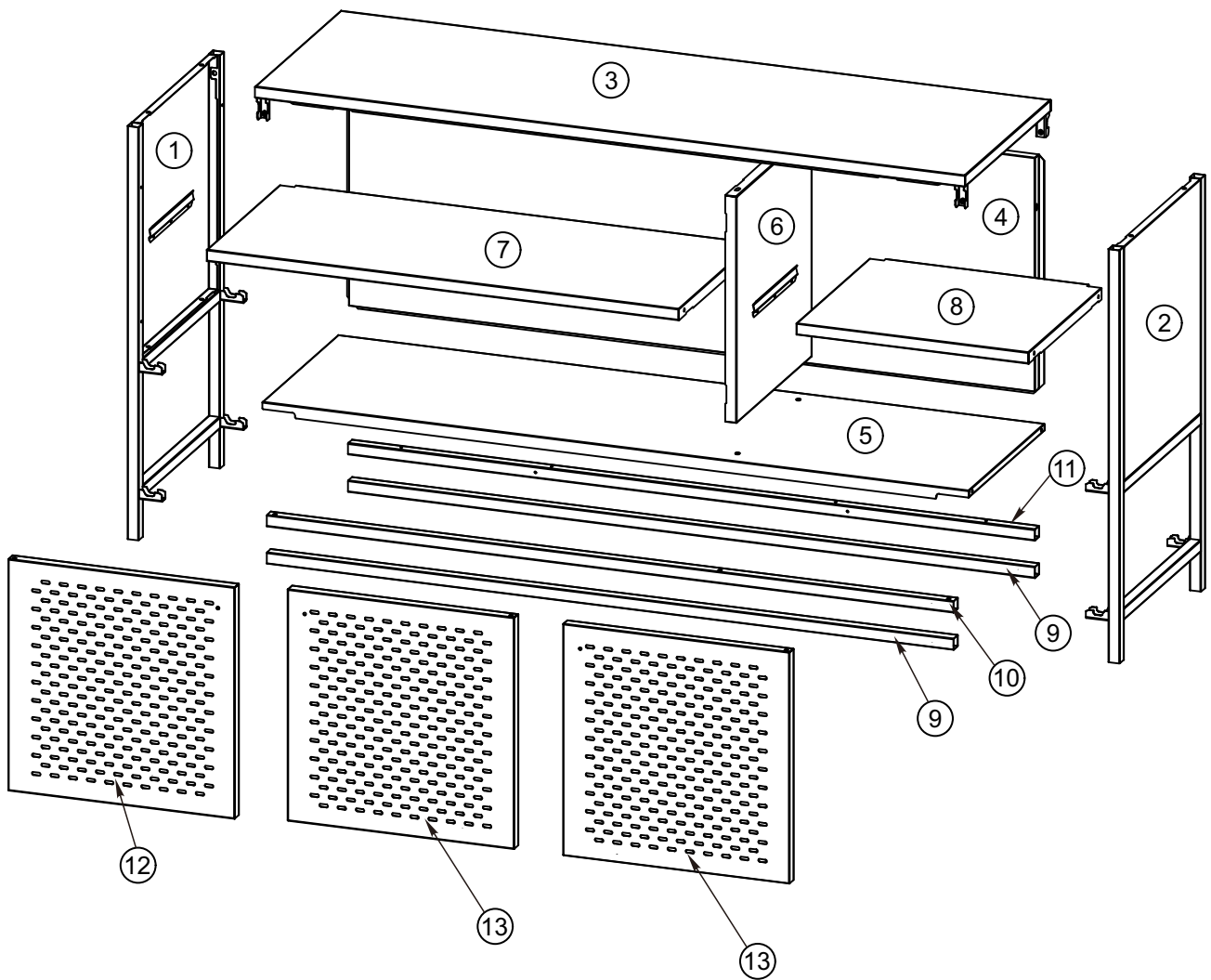
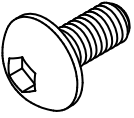
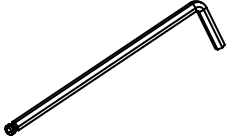
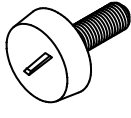

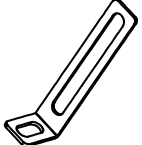
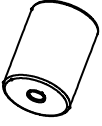
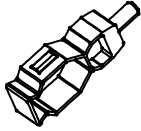


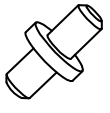
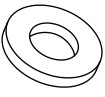


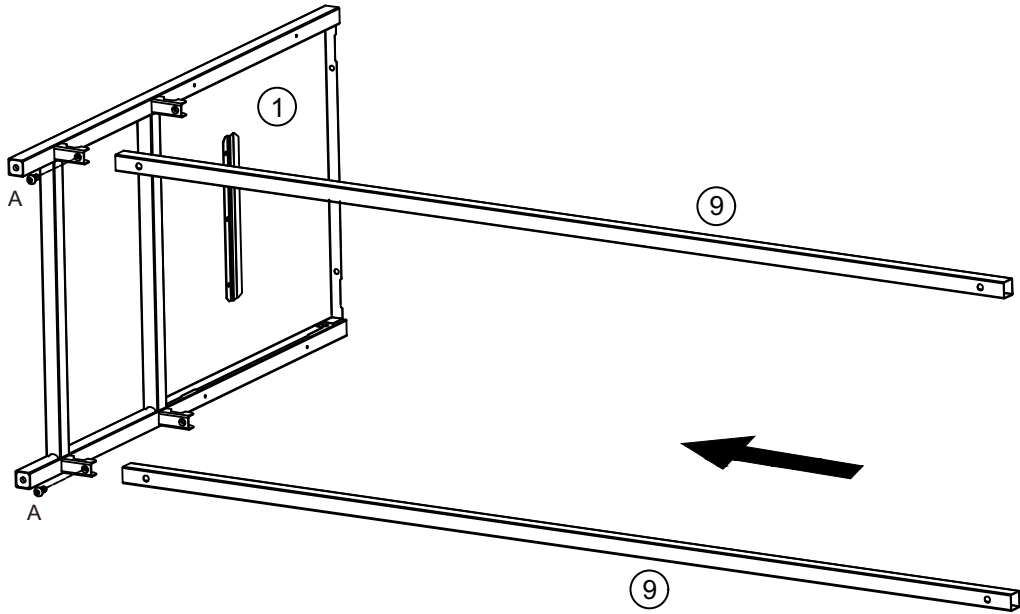
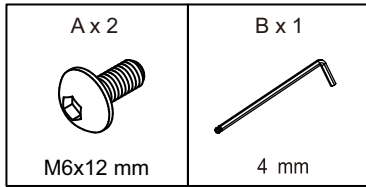
			✓
①	1	722 x 400 x 60	
②	1	722 x 400 x 60	
③	1	1253 x 403 x 60	
④	1	1228 x 418 x 18	
⑤	1	1245 x 355 x 31	
⑥	1	396 x 352 x 20	
⑦	1	832 x 350 x 20	

			✓
⑧	1	410 x 350 x 20	
⑨	2	1210 x 20 x 20	
⑩	1	1210 x 20 x 20	
⑪	1	1210 x 20 x 20	
⑫	1	405 x 398 x 20	
⑬	2	405 x 398 x 20	

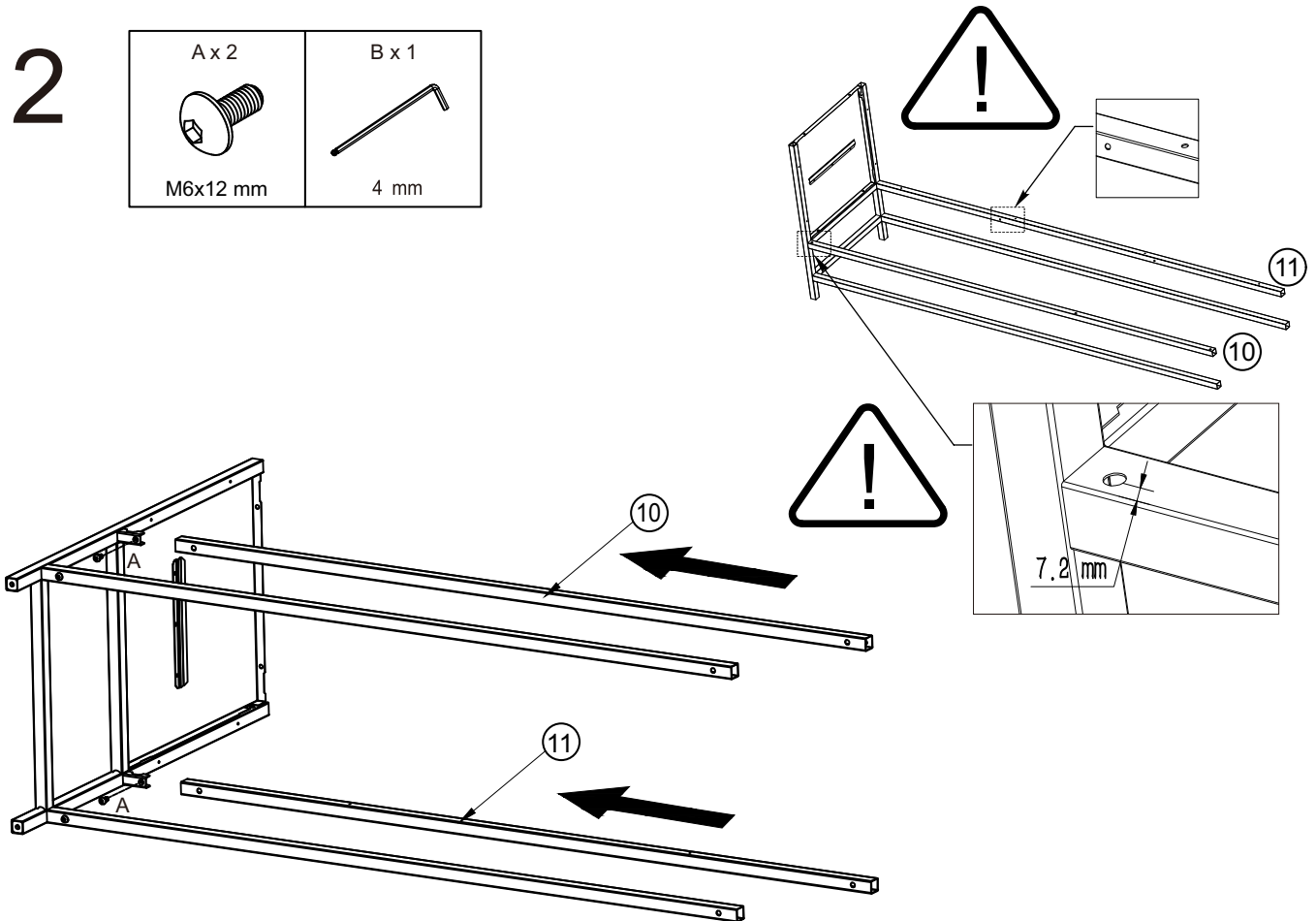
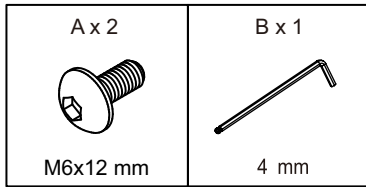


<p>A x 16</p>  <p>M6x12 mm</p>	<p>B x 1</p>  <p>4 mm</p>	<p>C x 4</p>  <p>M8xØ20 mm</p>	<p>D x 10</p>  <p>Ø4x12 mm</p>	<p>E x 2</p>  <p>75x25x15 mm</p>
<p>F x 3</p>  <p>Ø15x20 mm</p>	<p>G x 3</p>  <p>Ø6x58 mm</p>	<p>H x 3</p>  <p>Ø13.5 mm / Ø3.5</p>	<p>J x 7</p>  <p>M4x8 mm</p>	<p>K x 3</p>  <p>Ø6x20 mm</p>
<p>L x 3</p>  <p>Ø6x1.6 mm</p>				

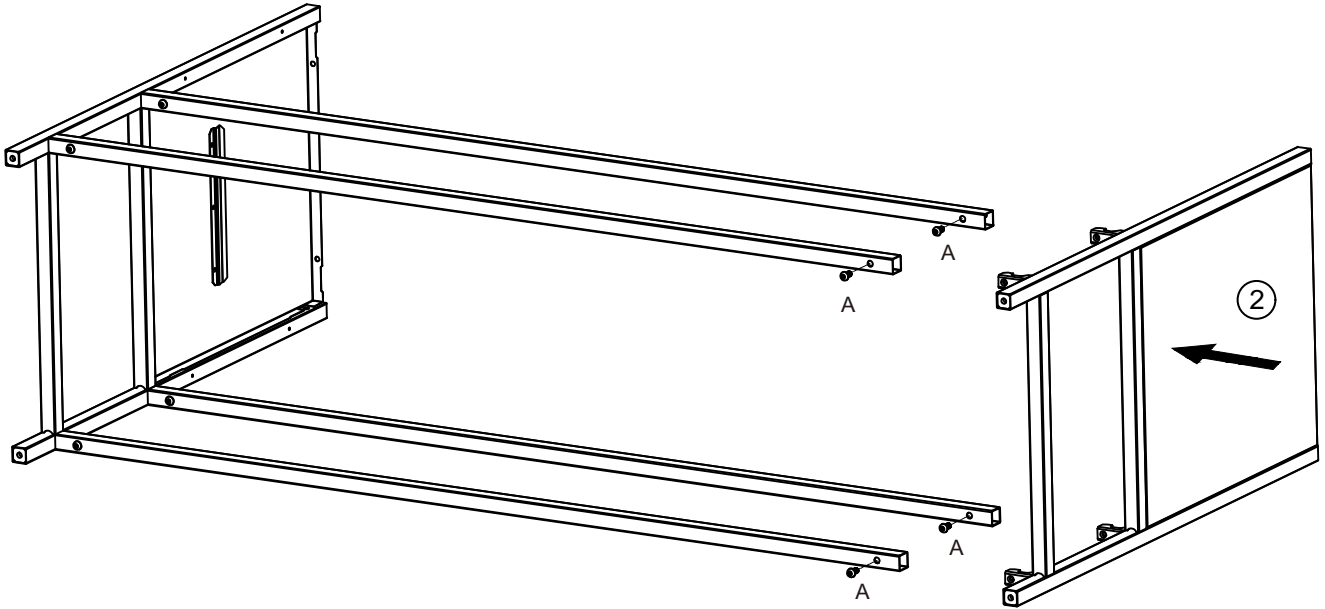
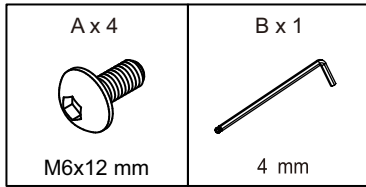
# 1



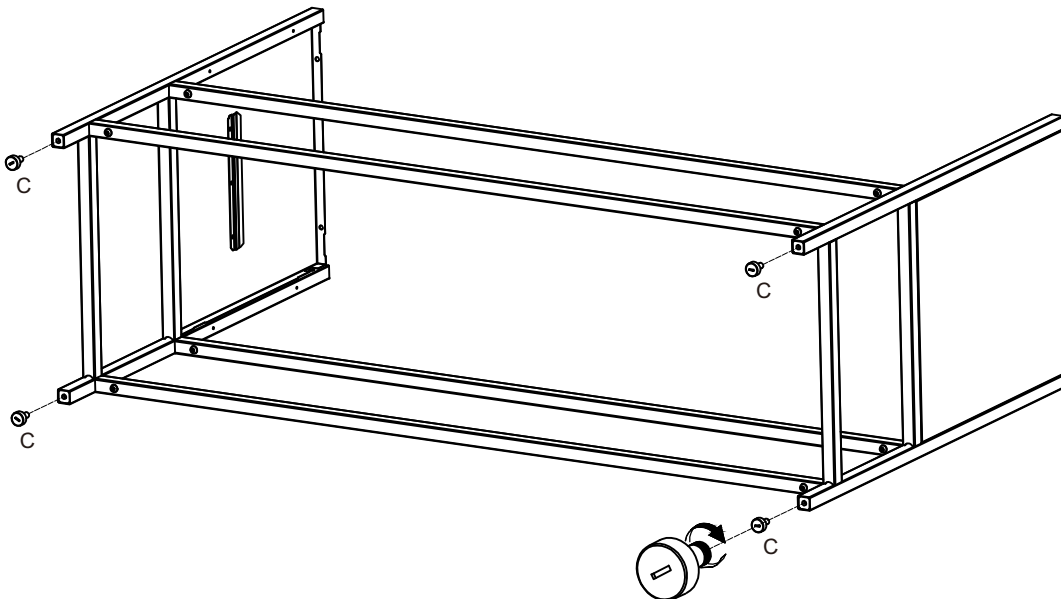
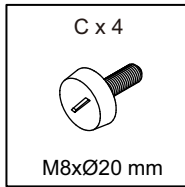
# 2



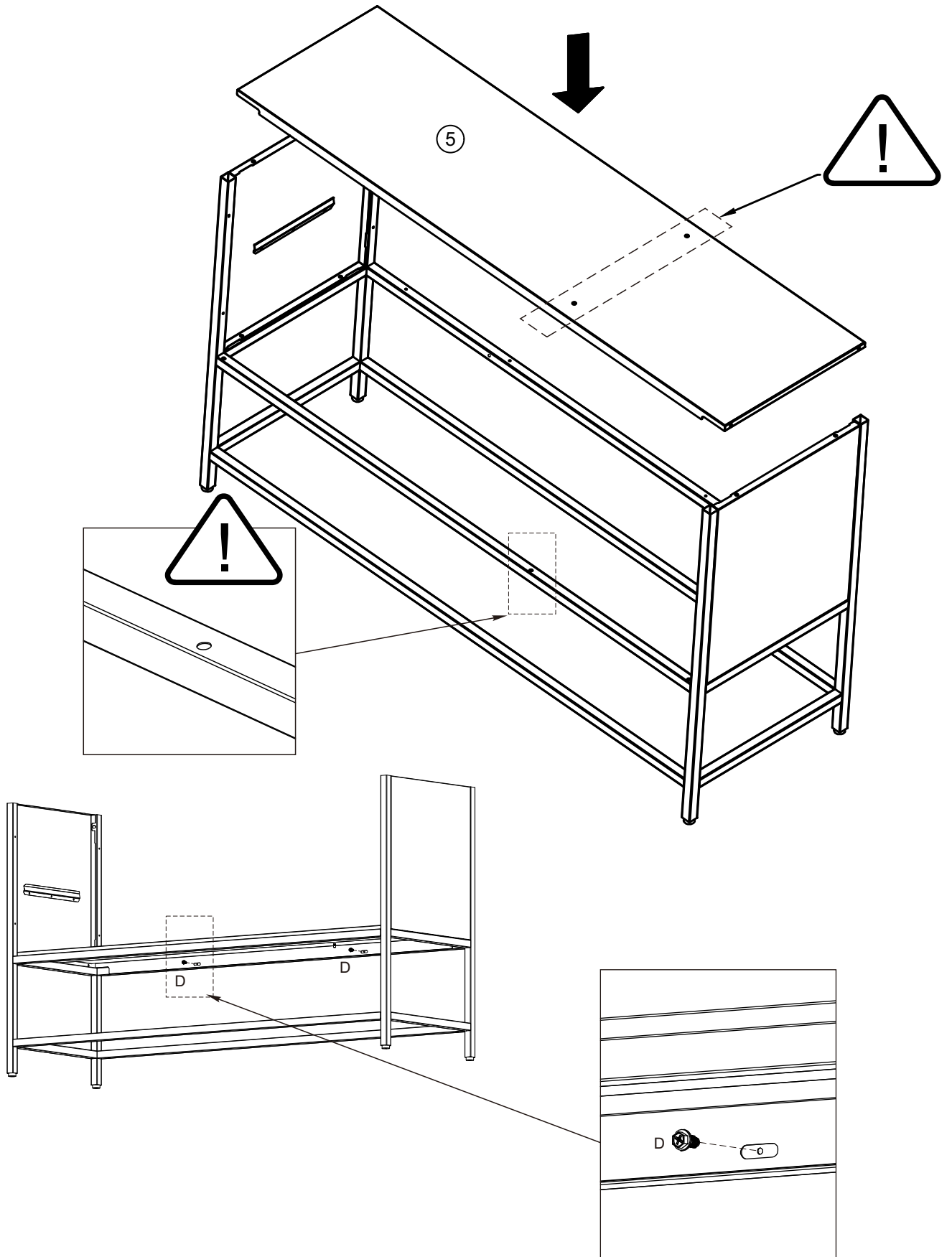
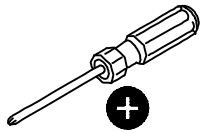
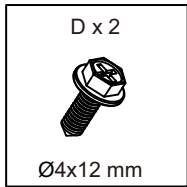
# 3



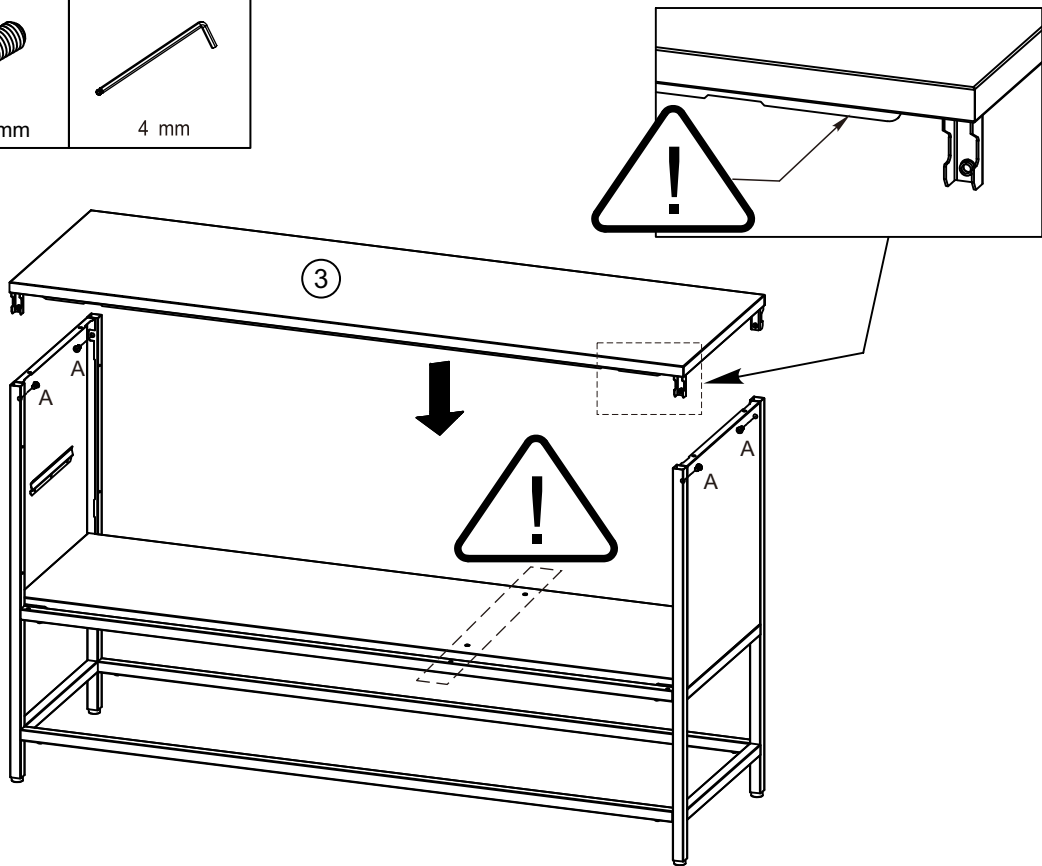
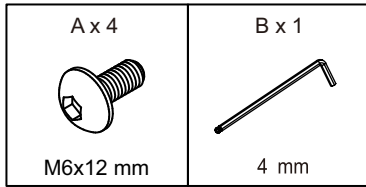
# 4



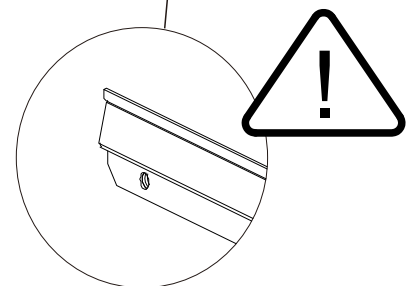
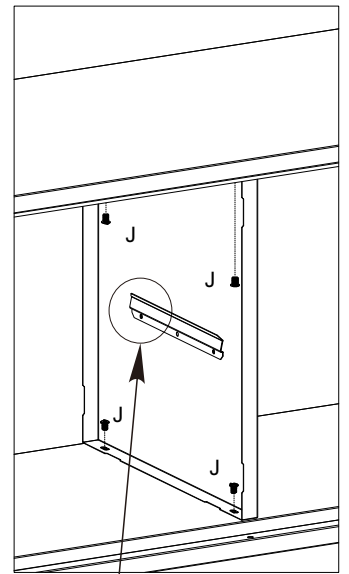
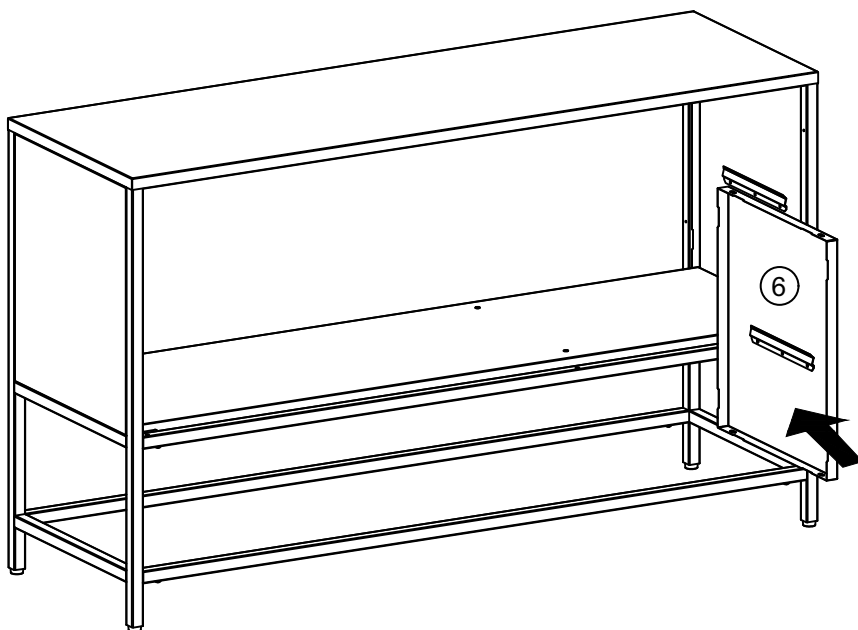
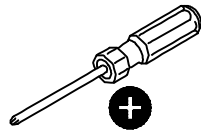
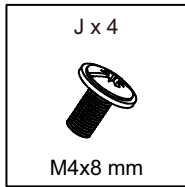
5



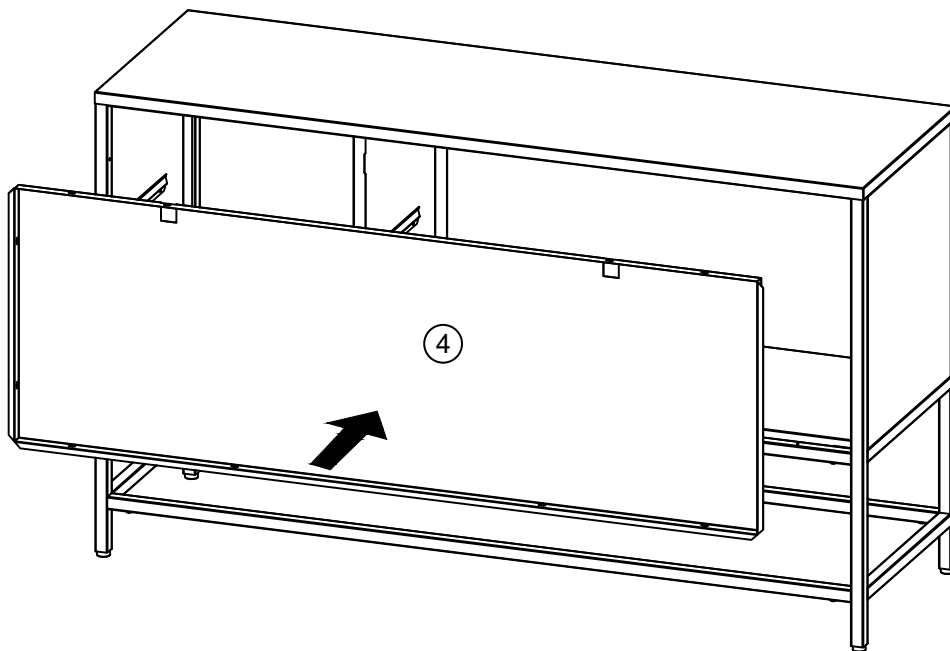
# 6







# 7

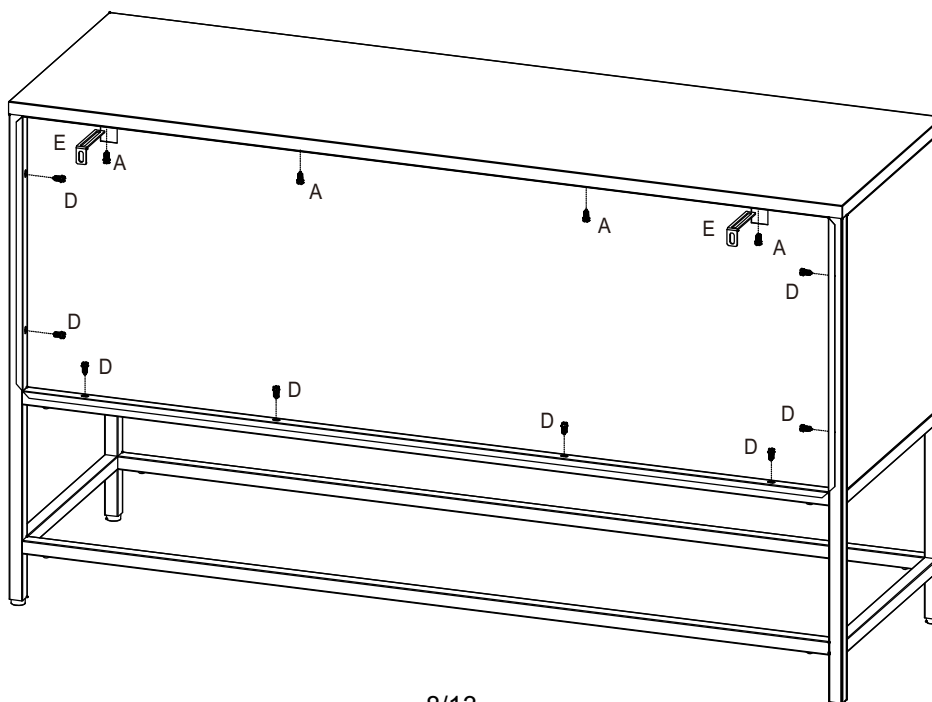
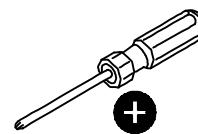


8



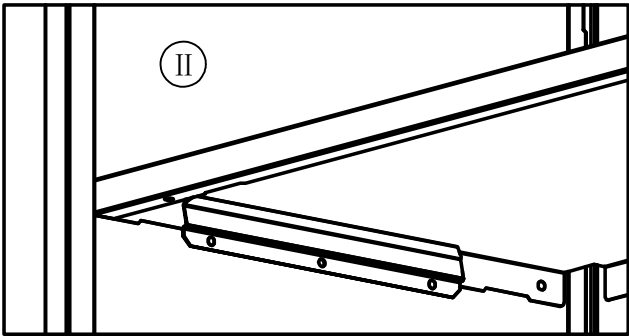
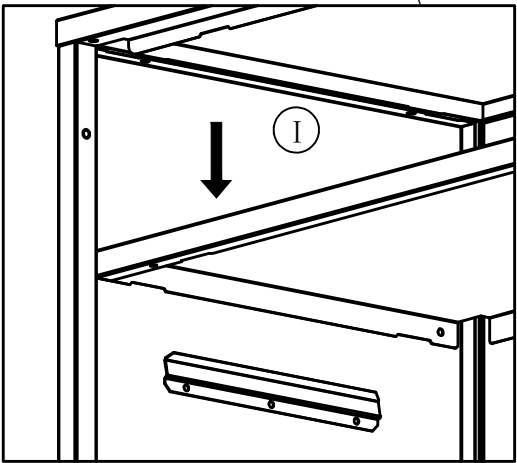
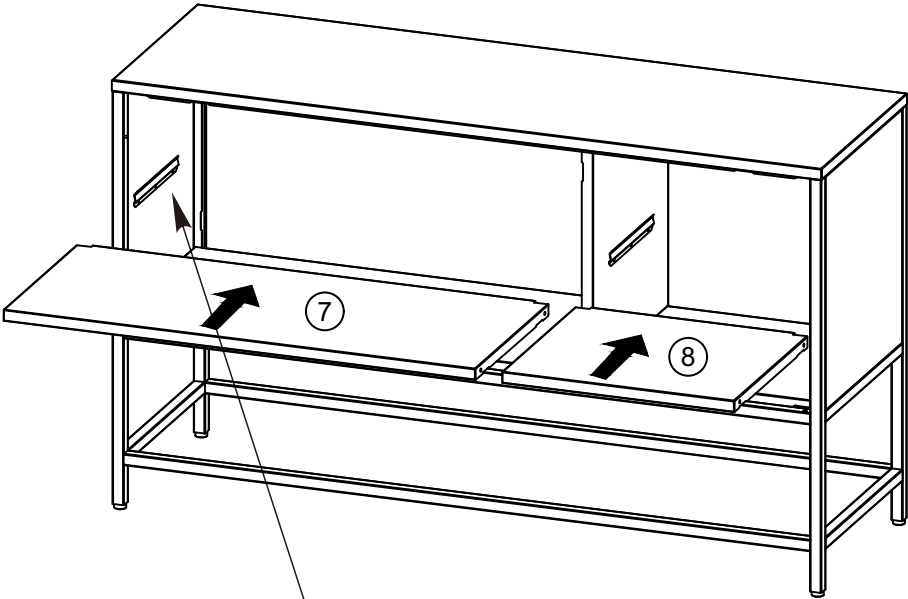
9

A x 4  M6x12 mm	B x 1  4 mm	E x 2  75x25x15 mm	D x 8  Ø4x12 mm
--	--	---	--







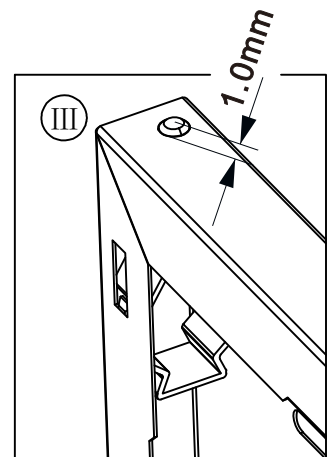
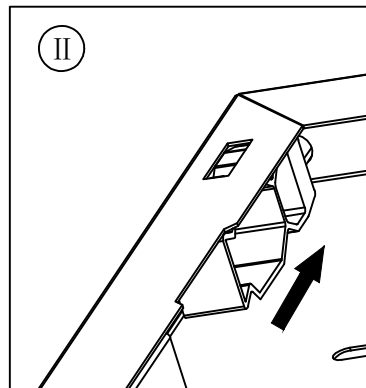
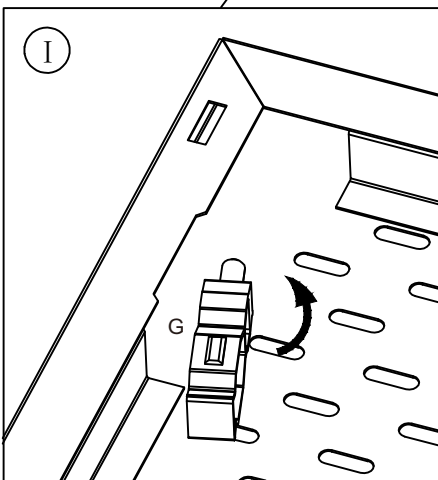
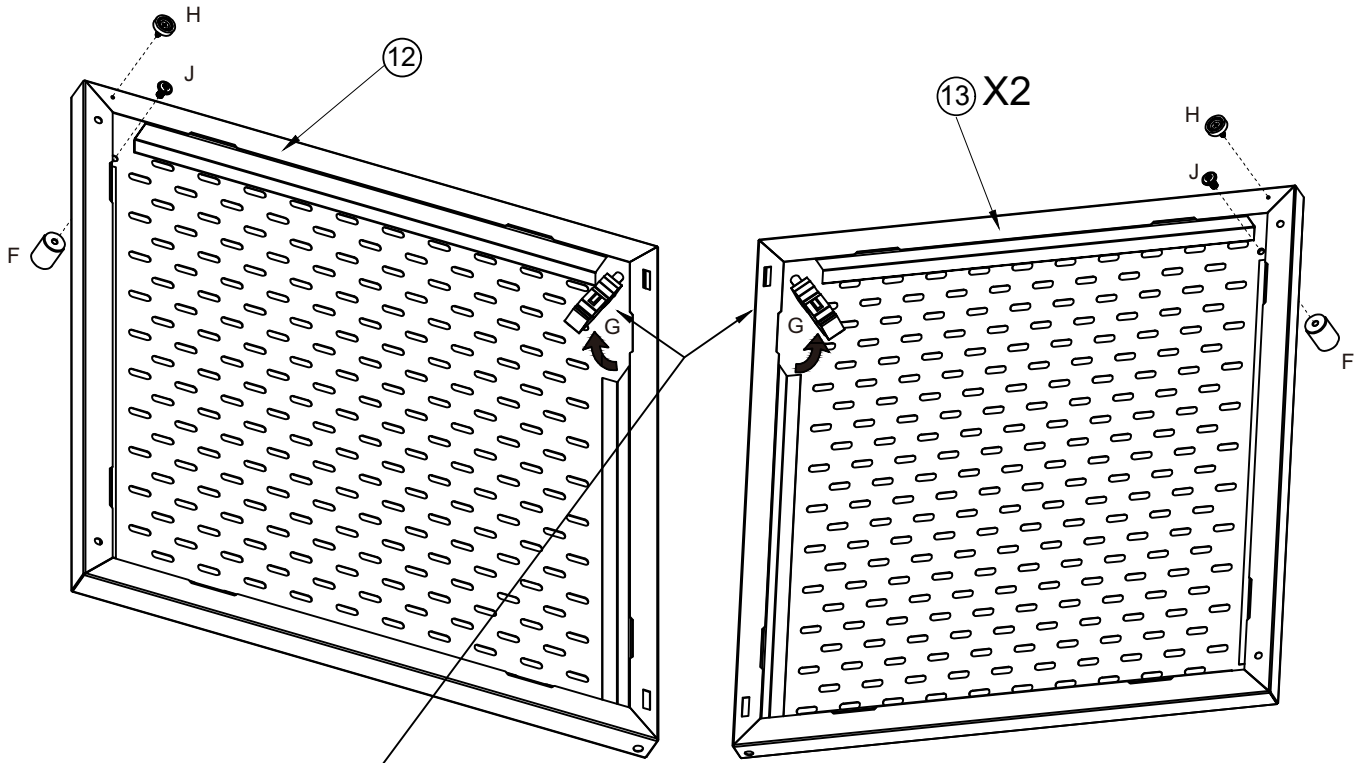
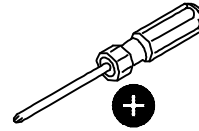


# 10

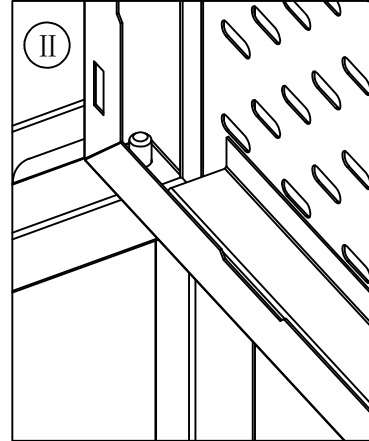
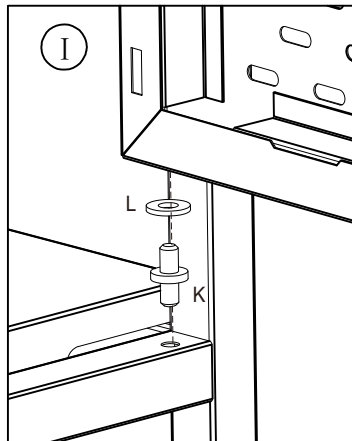
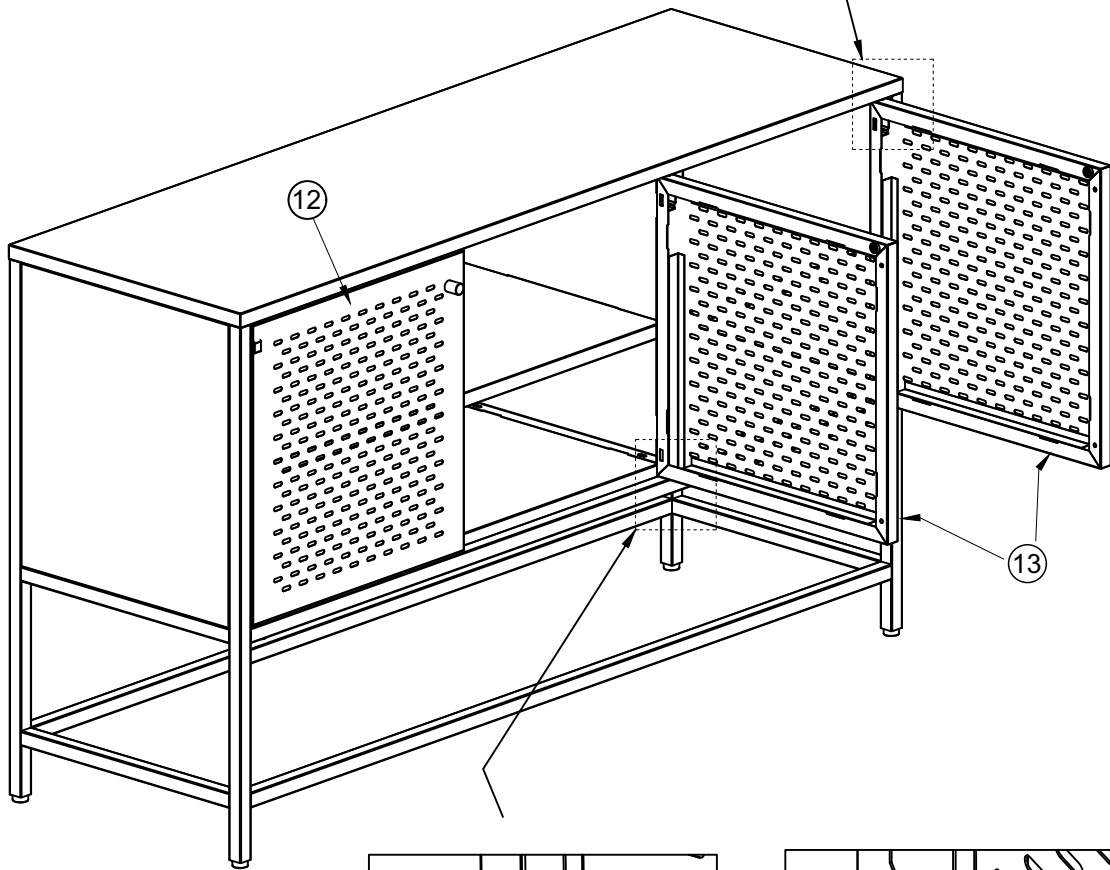
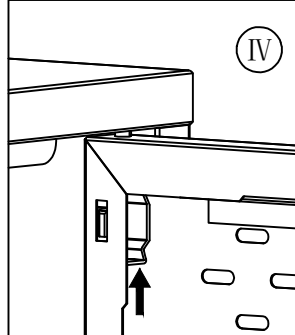
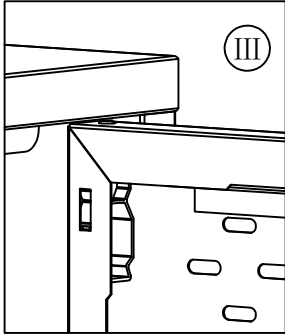
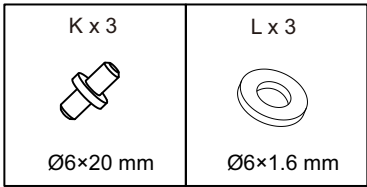


# 11

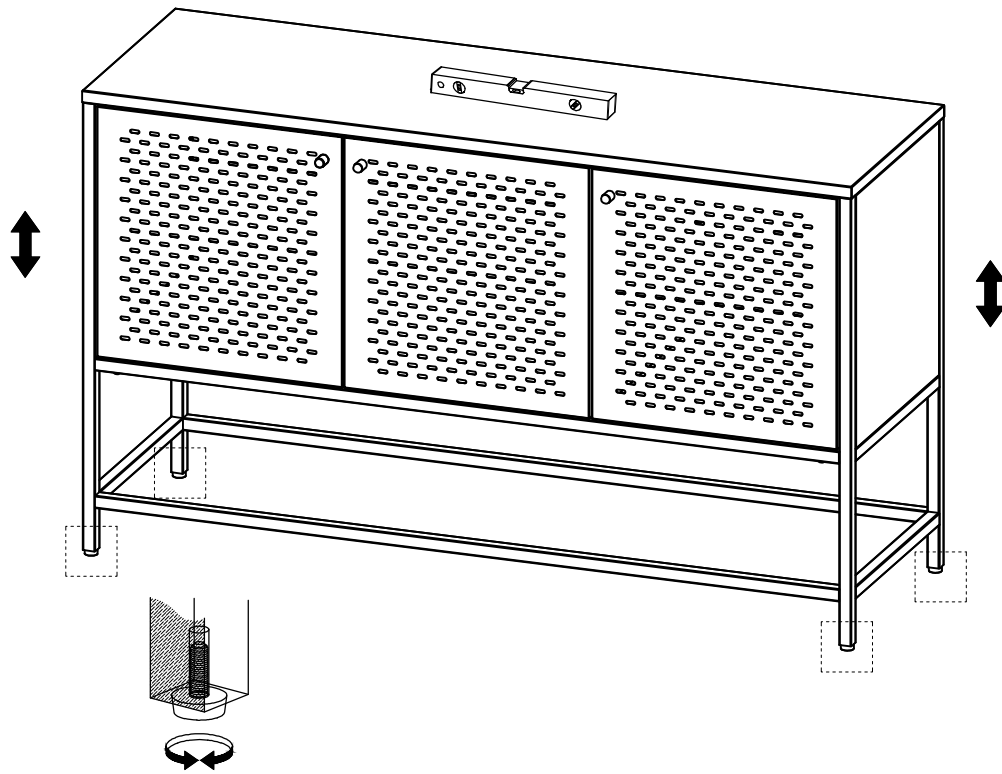
G x 3  Ø6x58 mm	F x 3  Ø15x20 mm	J x 3  M4x8 mm	H x 3  Ø13.5 mm / Ø3.5
--	---	---	---



# 12



# 13



# 14

