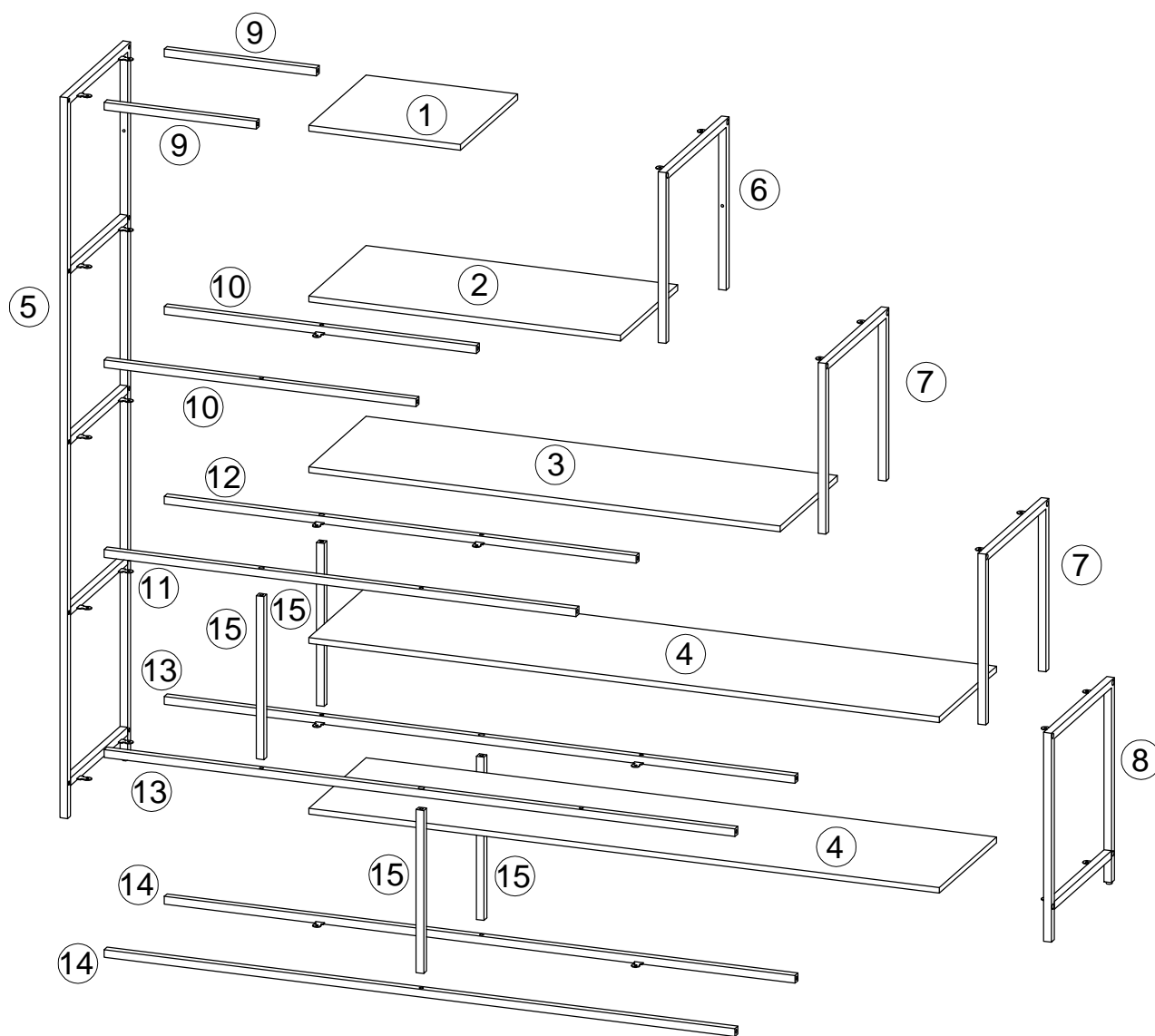
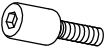

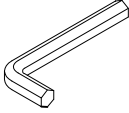

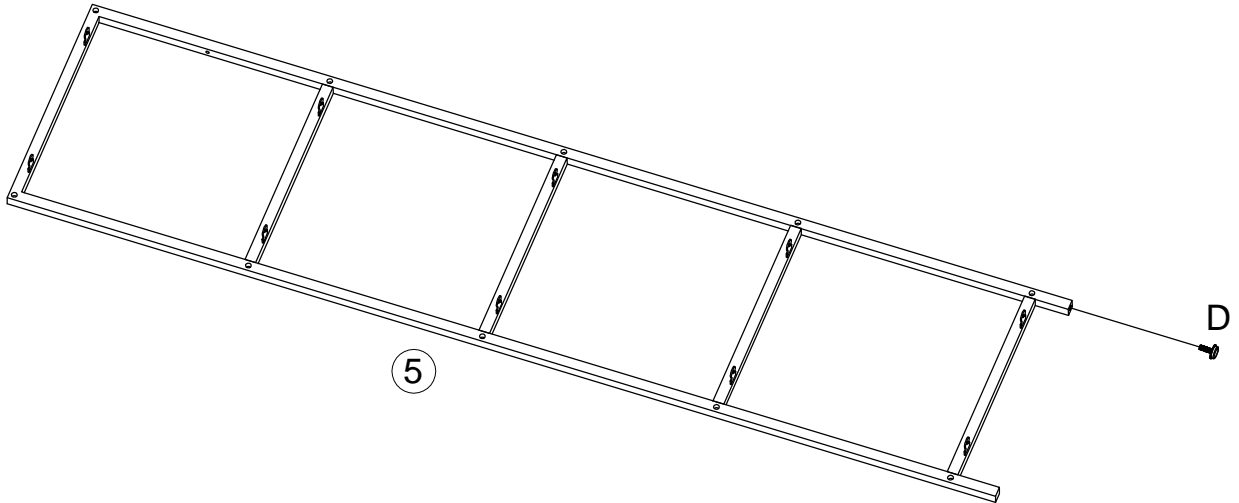
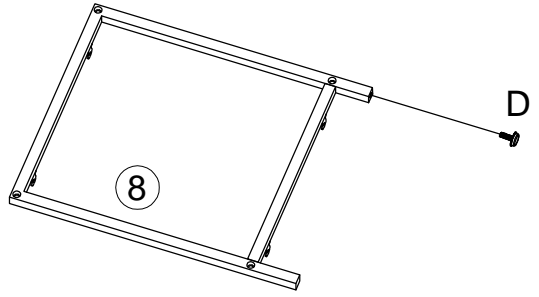
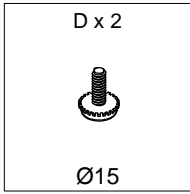


			✓			
①	1	317×317×12		⑩	2	652×16×16/42
②	1	651×317×12		⑪	1	986×16×16/42
③	1	985×317×12		⑫	1	986×16×16/42
④	2	1319×317×12		⑬	2	1320×16×16/42
⑤	1	1495×350×16/42		⑭	2	1320×16×16/42
⑥	1	354×350×16/42		⑮	4	338×16×16
⑦	2	354×350×16/42				
⑧	1	435×350×16/42				
⑨	2	318×16×16				

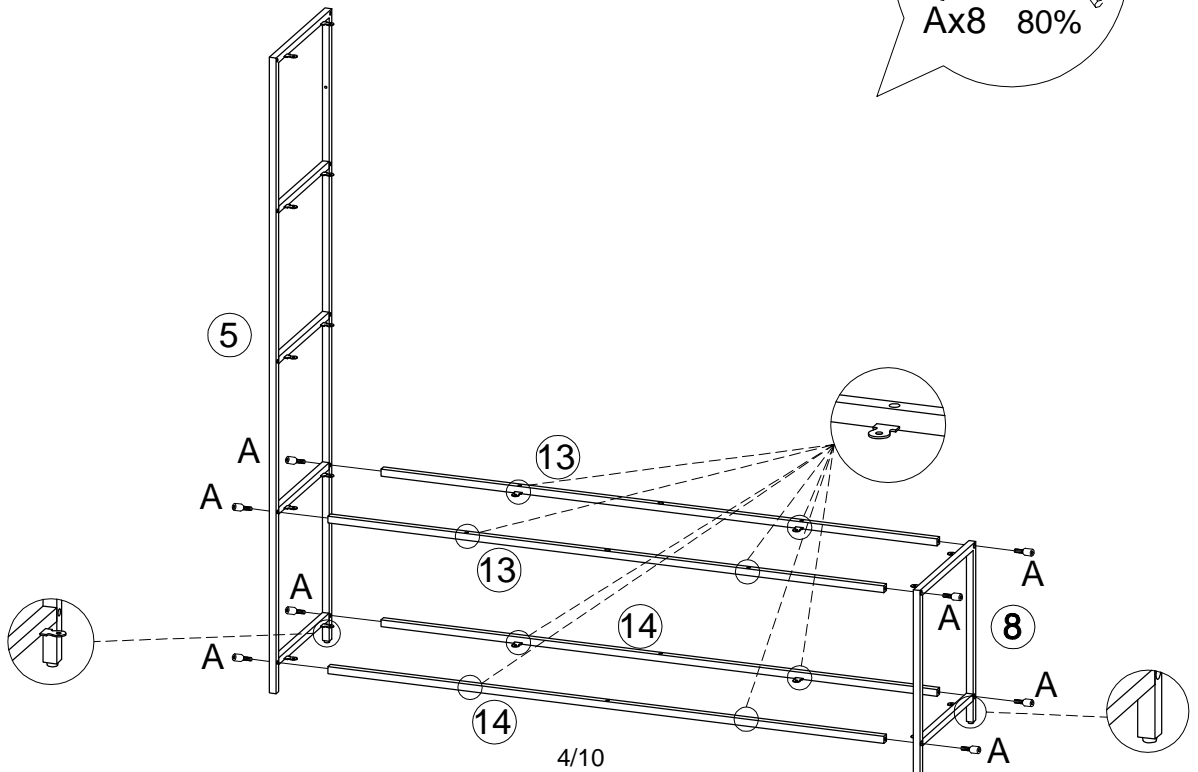
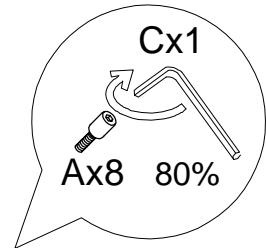
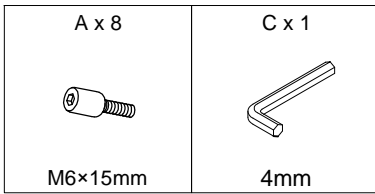


A x 34	B x 34	C x 1	D x 2
			
M6×15mm	4×12mm	4mm	Ø15


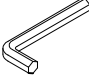
# 1

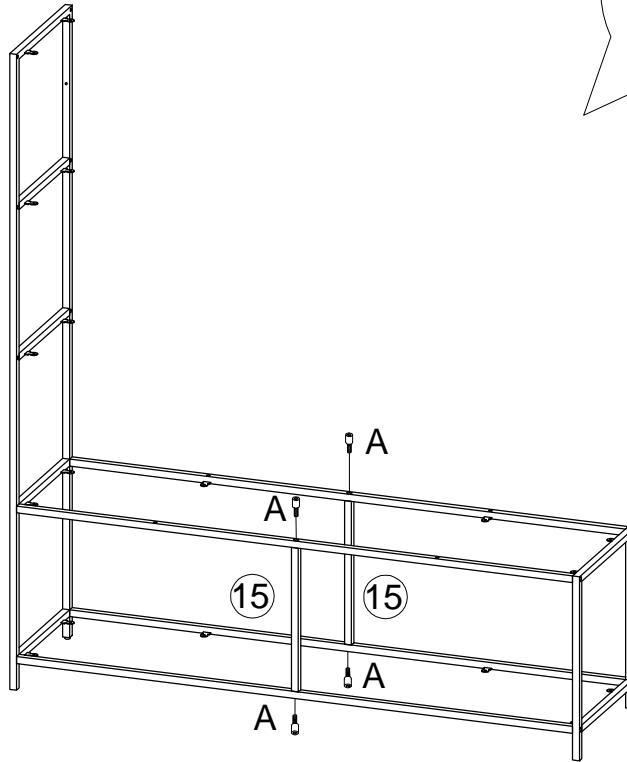
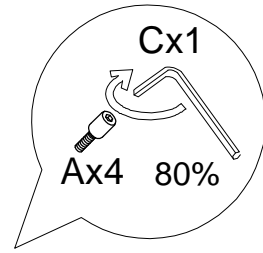


# 2


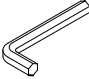


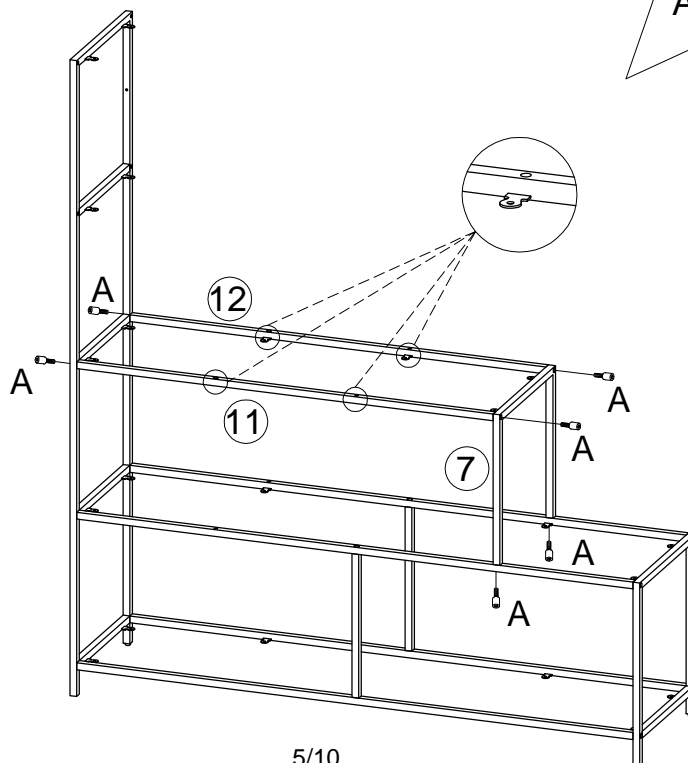
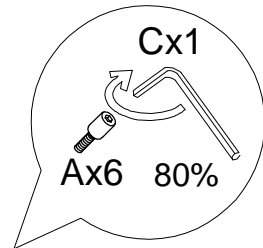
# 3

A x 4	C x 1
	
M6x15mm	4mm


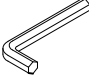


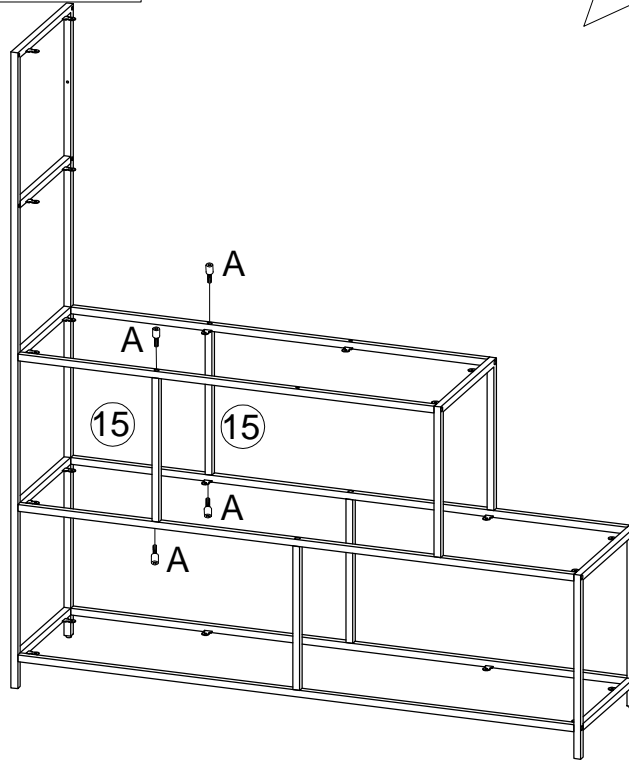
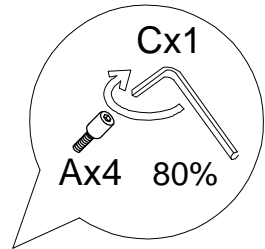
# 4

A x 6	C x 1
	
M6x15mm	4mm


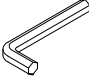


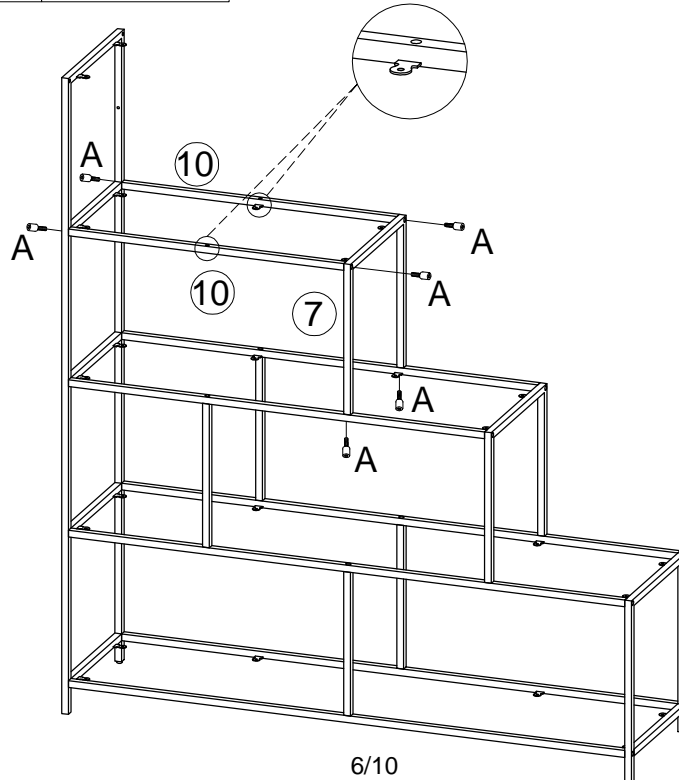
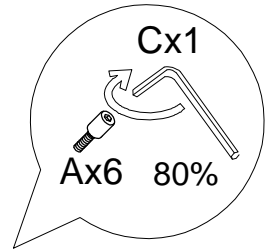
# 5

A x 4	C x 1
	
M6x15mm	4mm

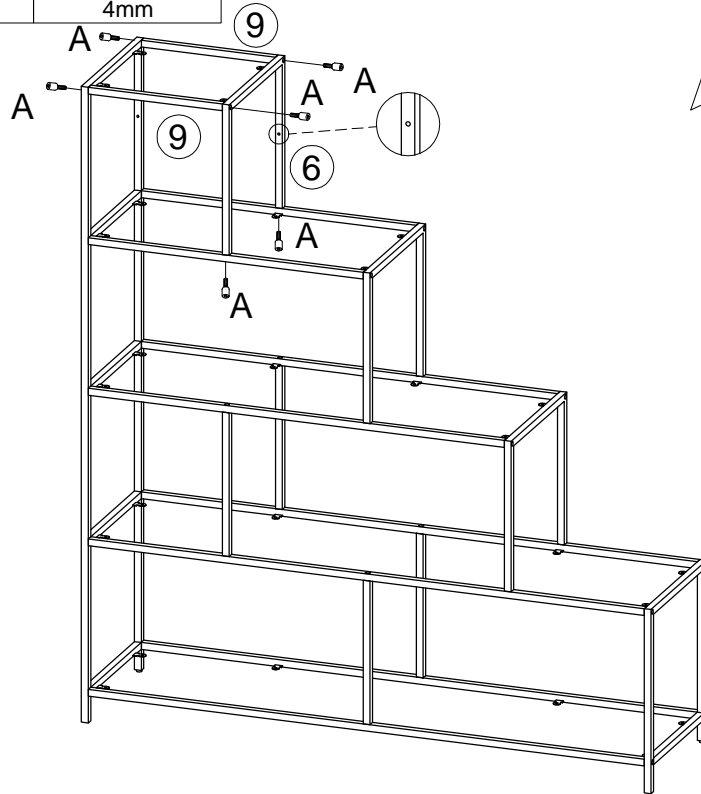
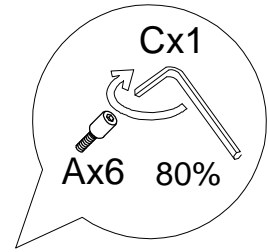
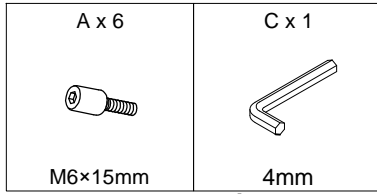


# 6

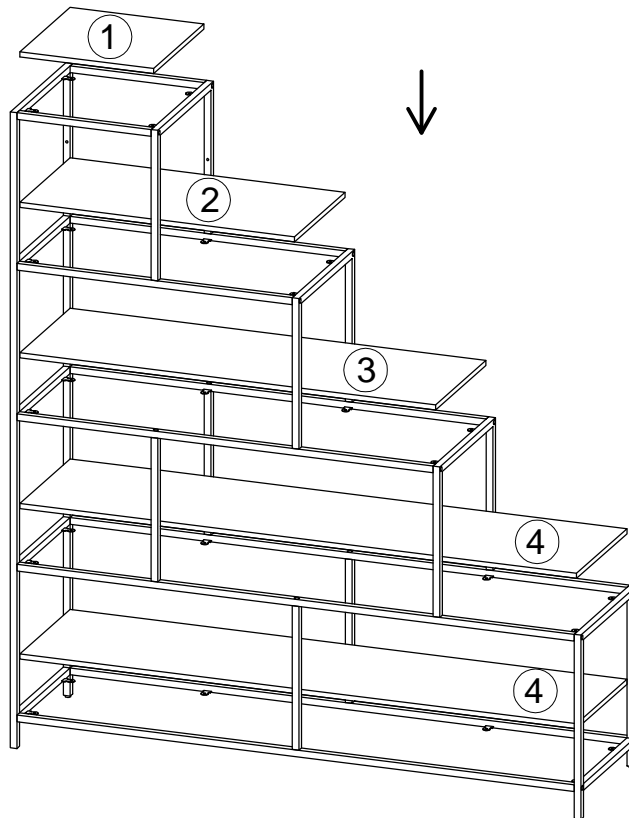
A x 6	C x 1
	
M6x15mm	4mm



# 7



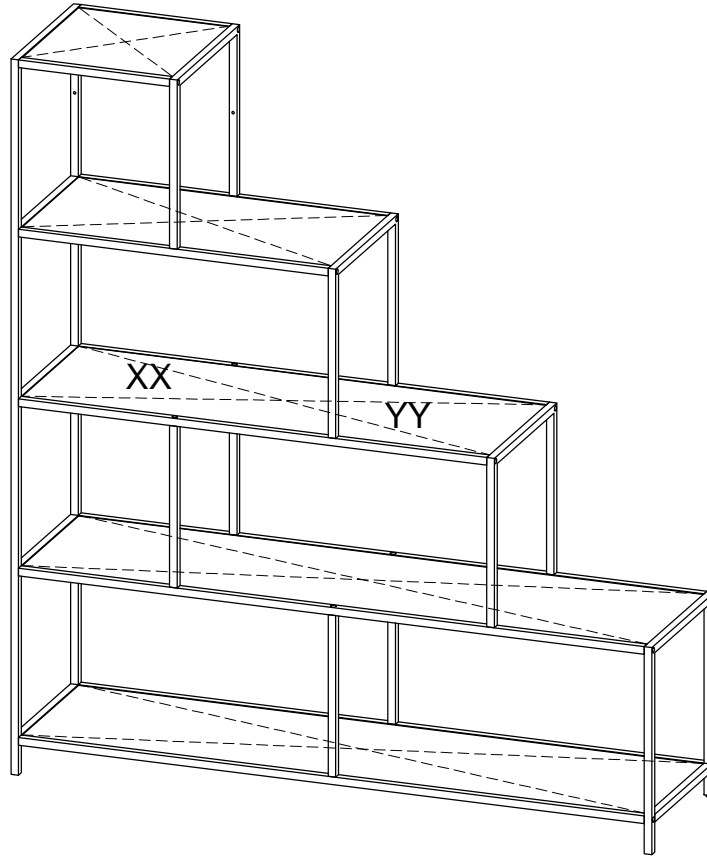
# 8



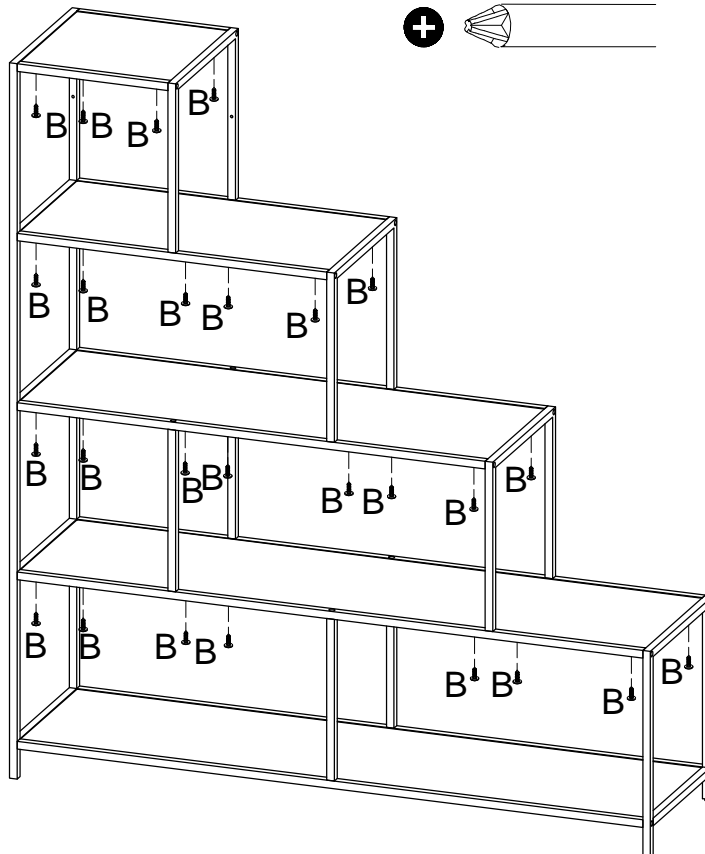
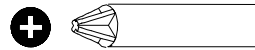
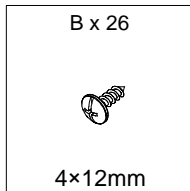
9



XX=YY

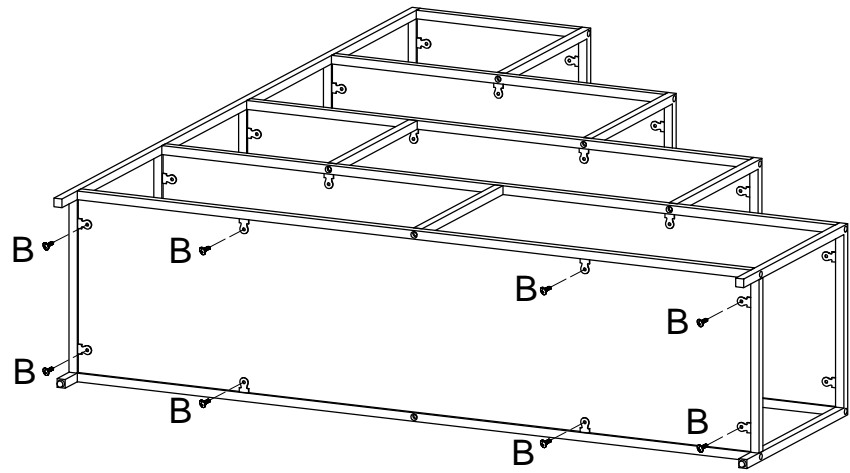
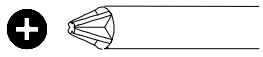
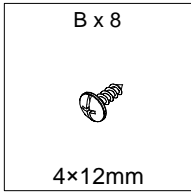


10

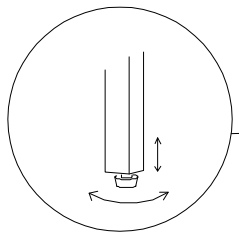
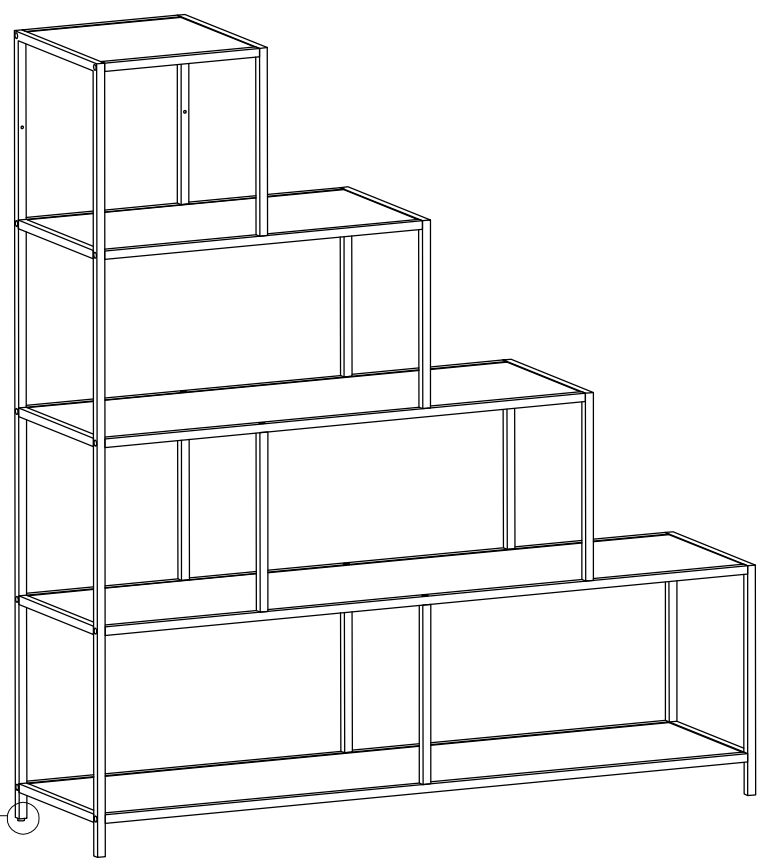




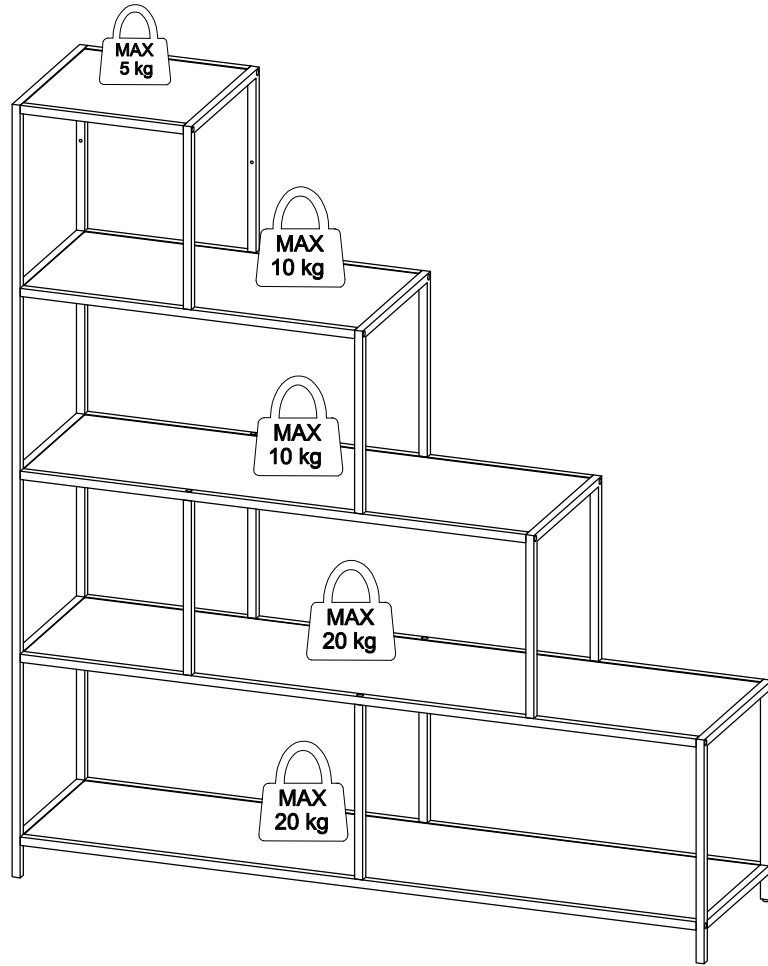
# 11



# 12



# 13



# 14

