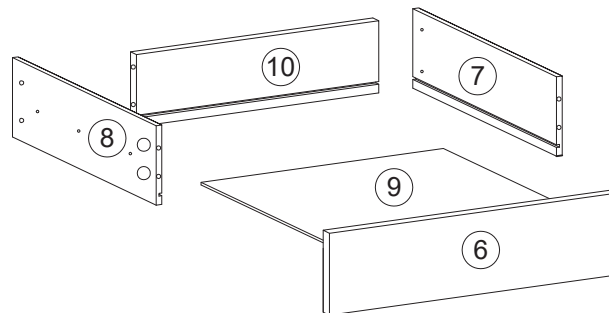
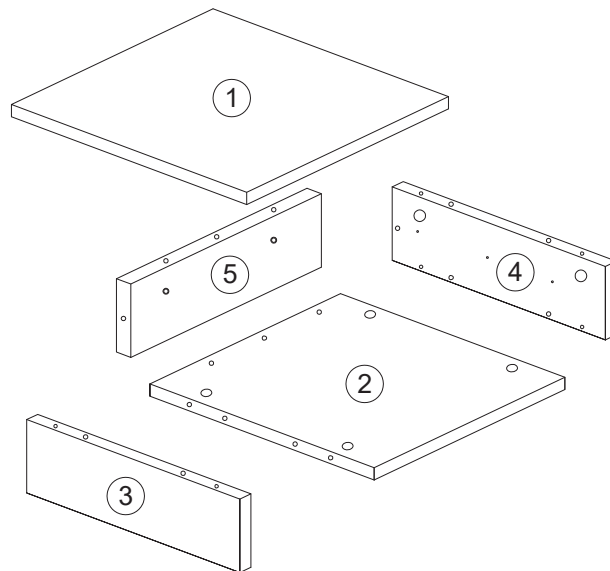
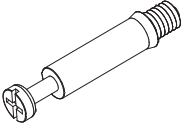
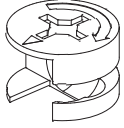
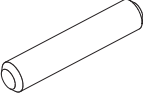
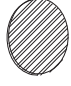
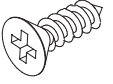
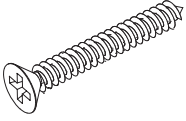
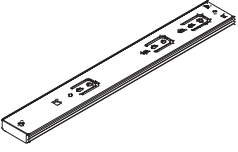


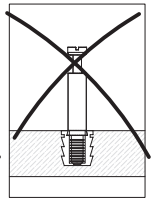
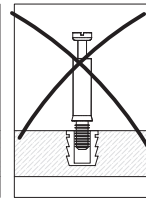
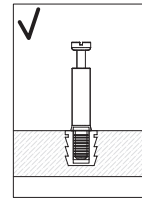
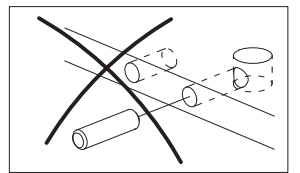
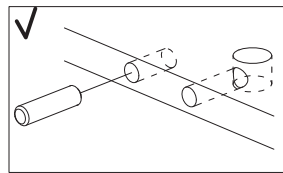
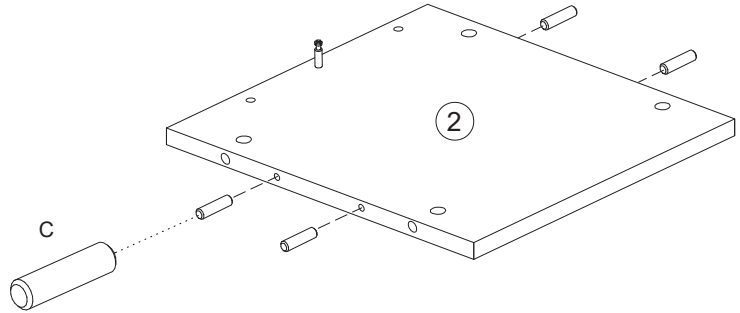
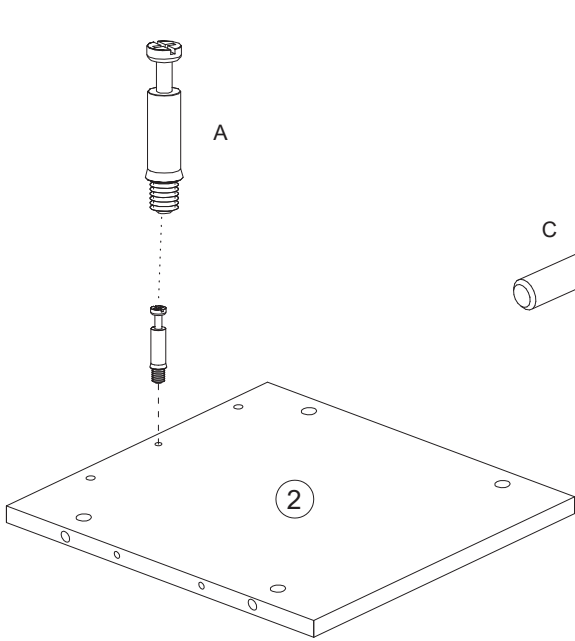
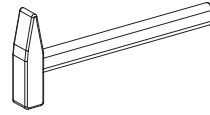
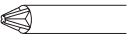
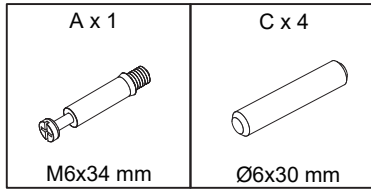
			✓
①	1	370X320X15	
②	1	317X301X15	
③	1	302X115X15	
④	1	302X115X15	
⑤	1	317X100X12	
⑥	1	368X112X15	
⑦	1	250X89X12	

			✓
⑧	1	250X89X12	
⑨	1	273X246X3	
⑩	1	266X89X12	

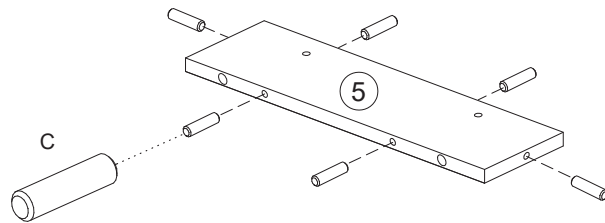
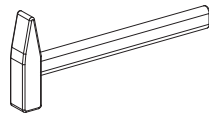
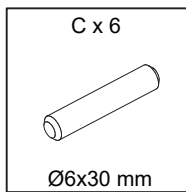


<p>A X 14</p>  <p>M6/34 mm</p>	<p>B X 14</p>  <p>Ø15x9,5 mm</p>	<p>C X 14</p>  <p>Ø6x30 mm</p>	<p>D X 4</p>  <p>Ø20 mm</p>	<p>E X 12</p>  <p>Ø3,5x12 mm</p>
<p>F X 4</p>  <p>Ø4x30 mm</p>	<p>G X 2</p>  <p>250x45x13 mm</p>			

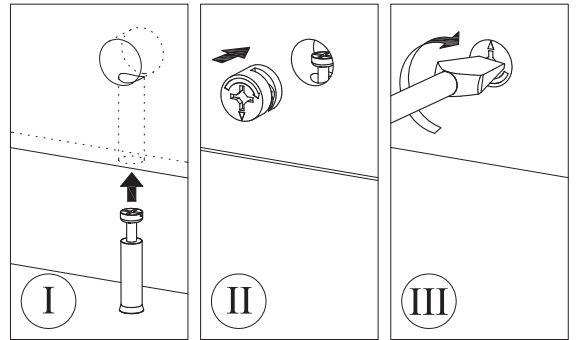
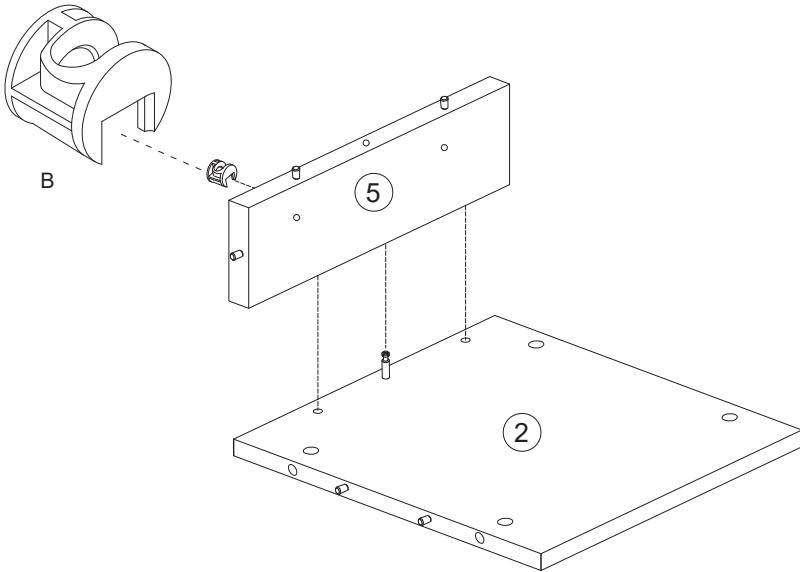
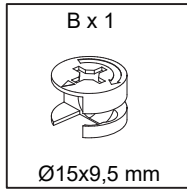
1



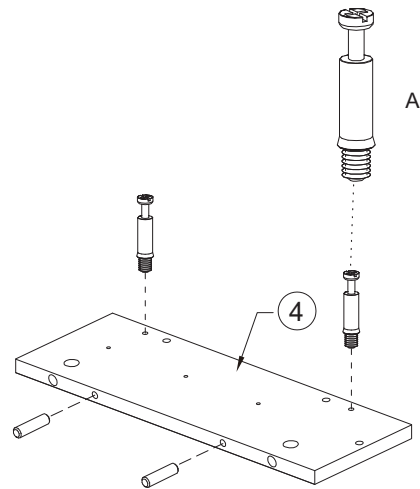
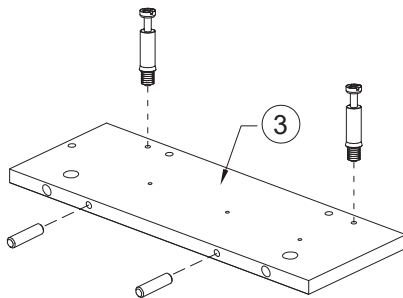
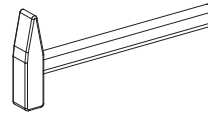
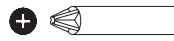
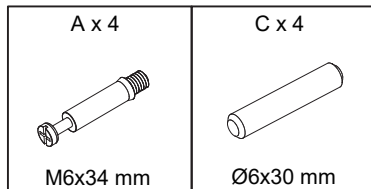
2



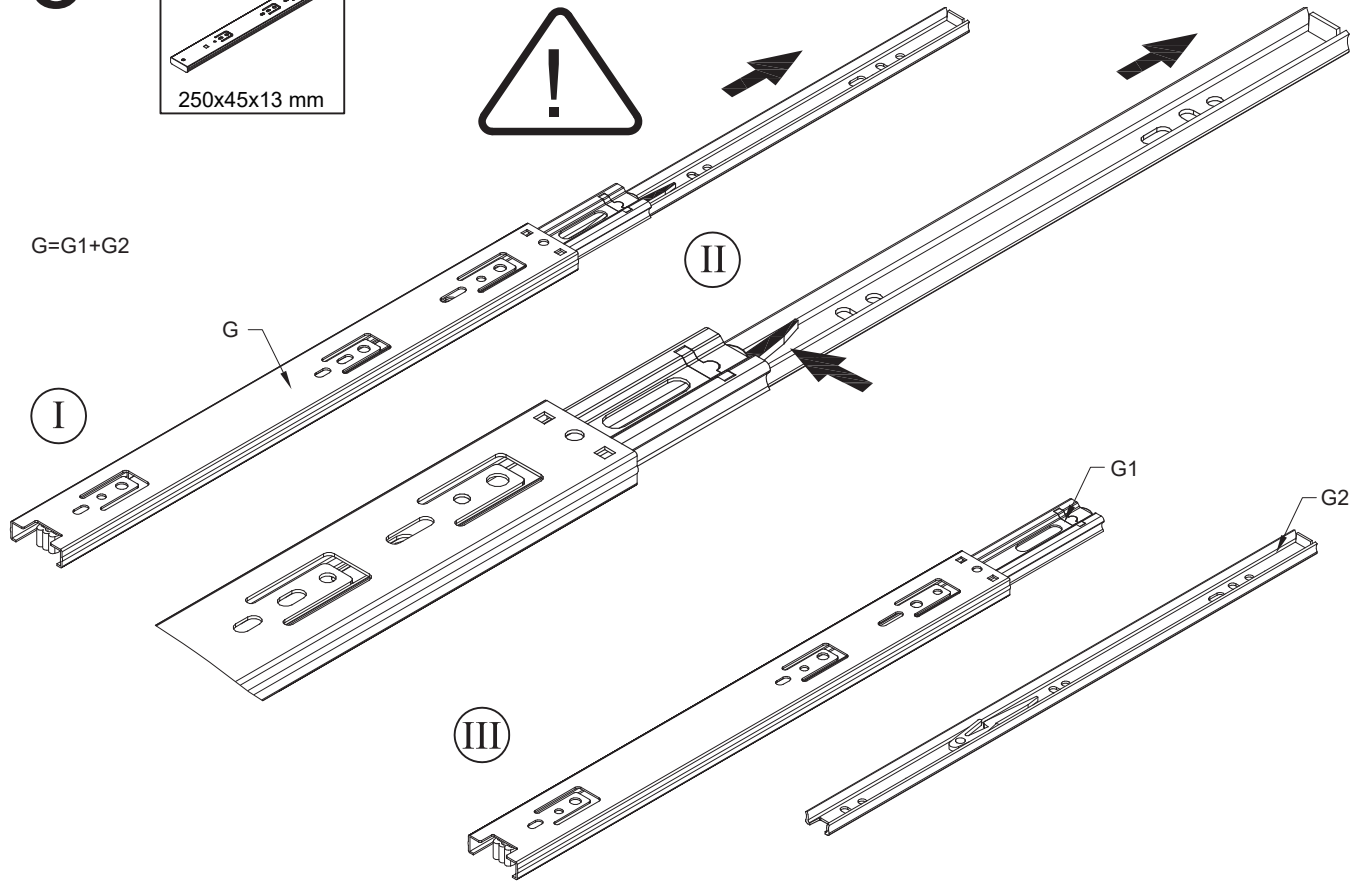
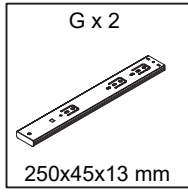
3



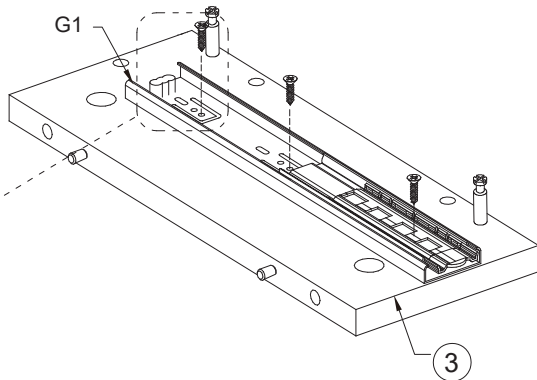
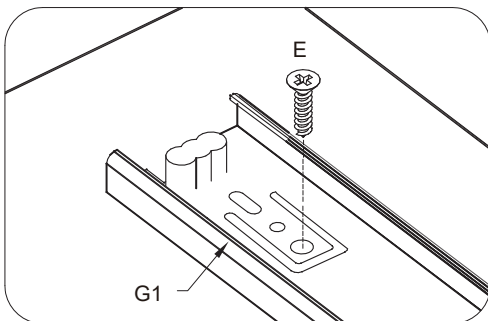
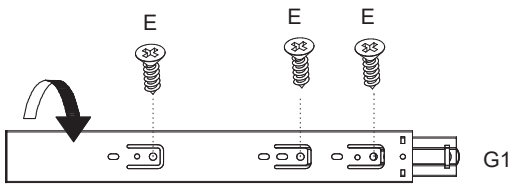
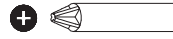
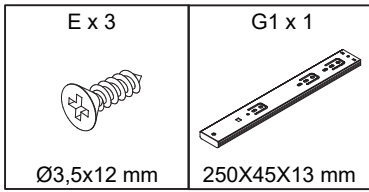
4



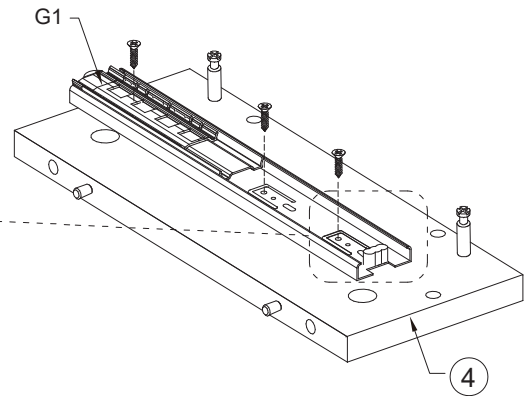
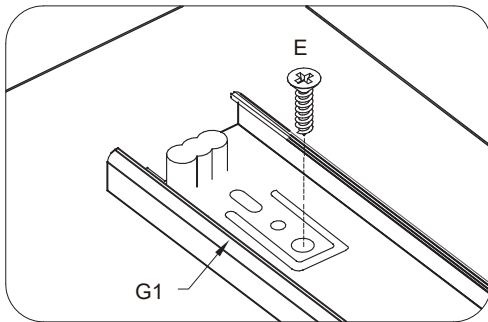
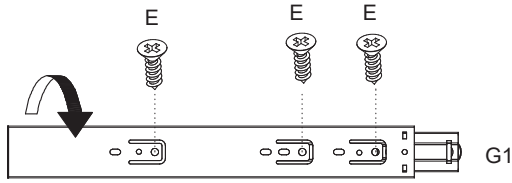
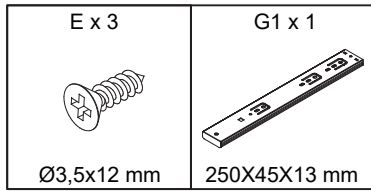
5



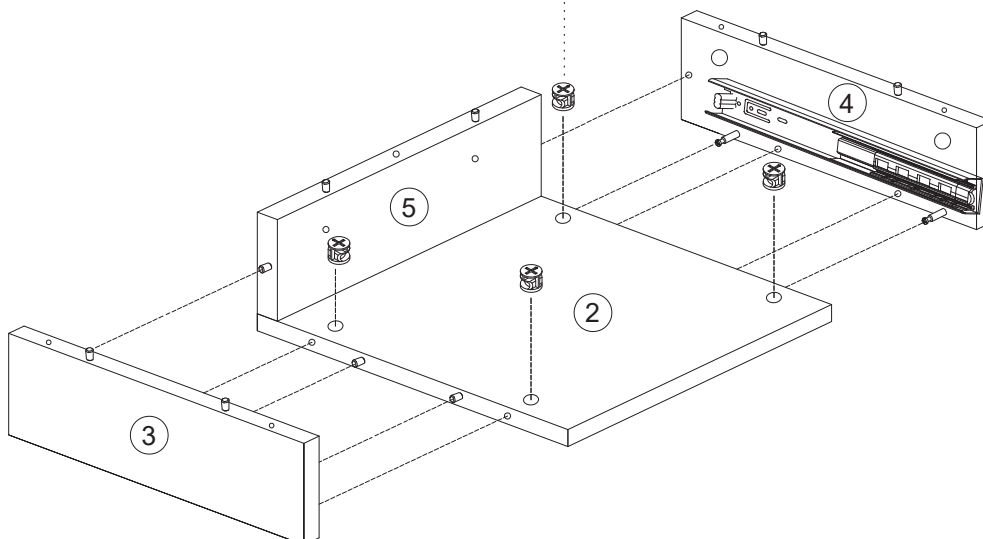
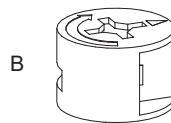
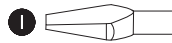
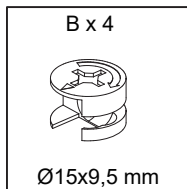
6



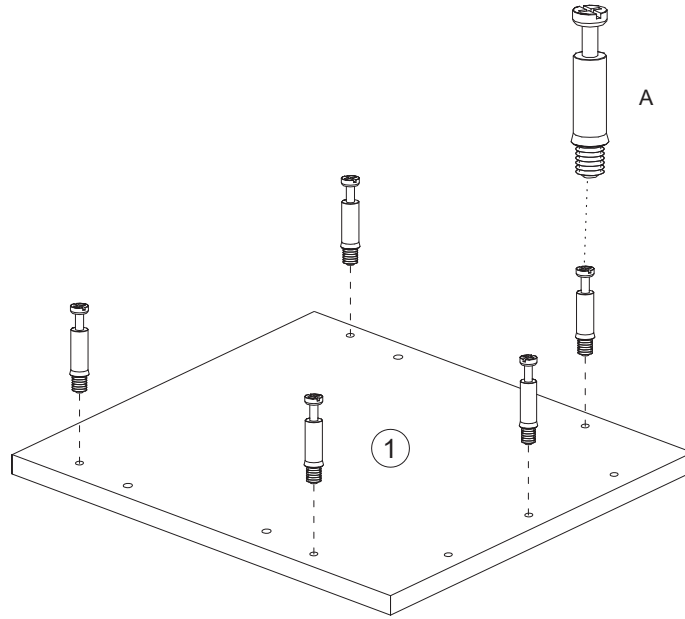
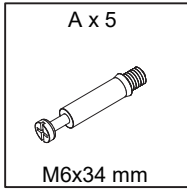
7



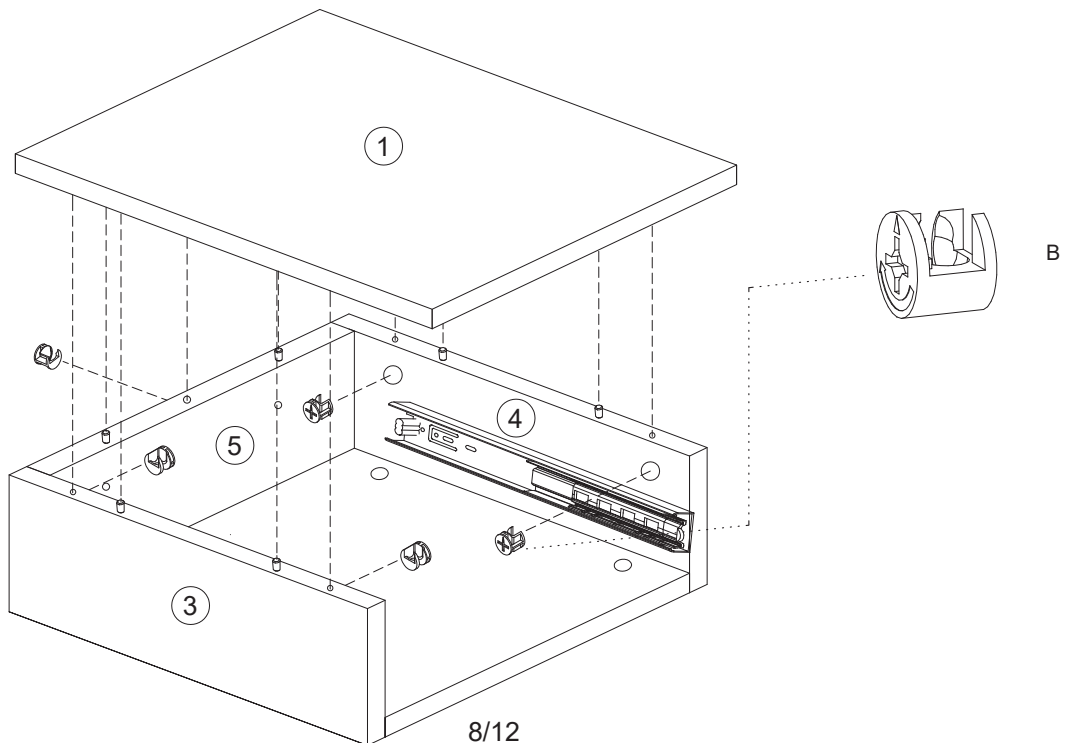
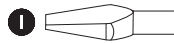
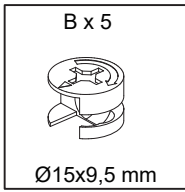
8



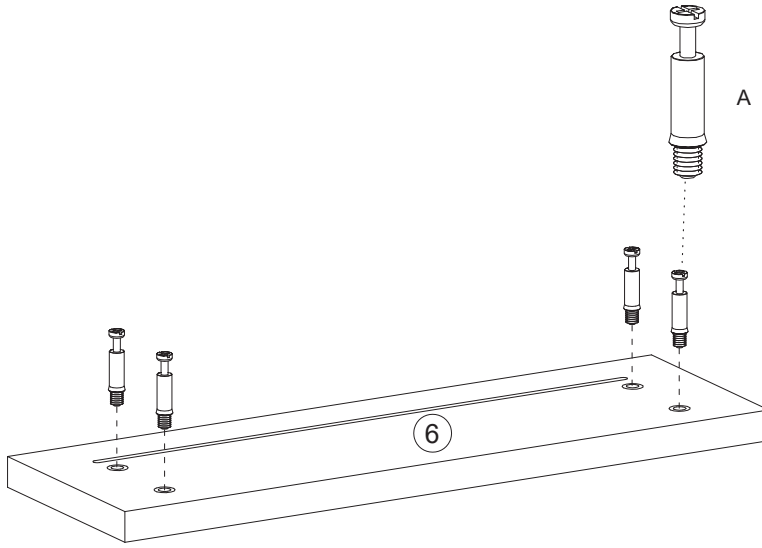
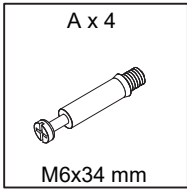
9



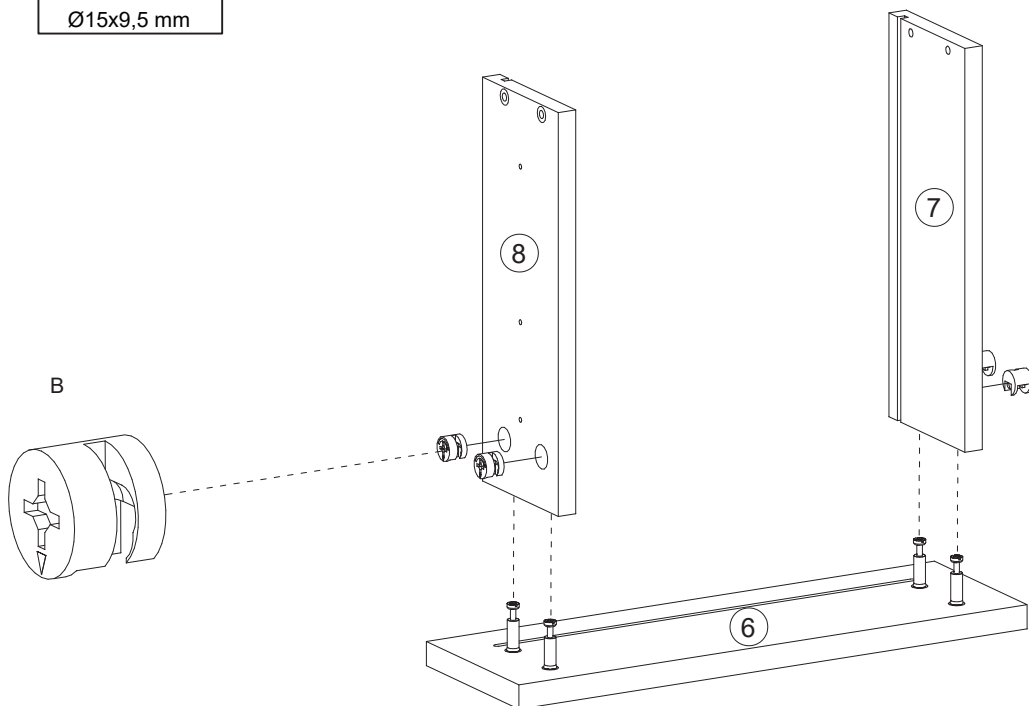
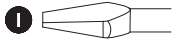
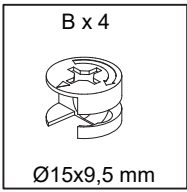
10



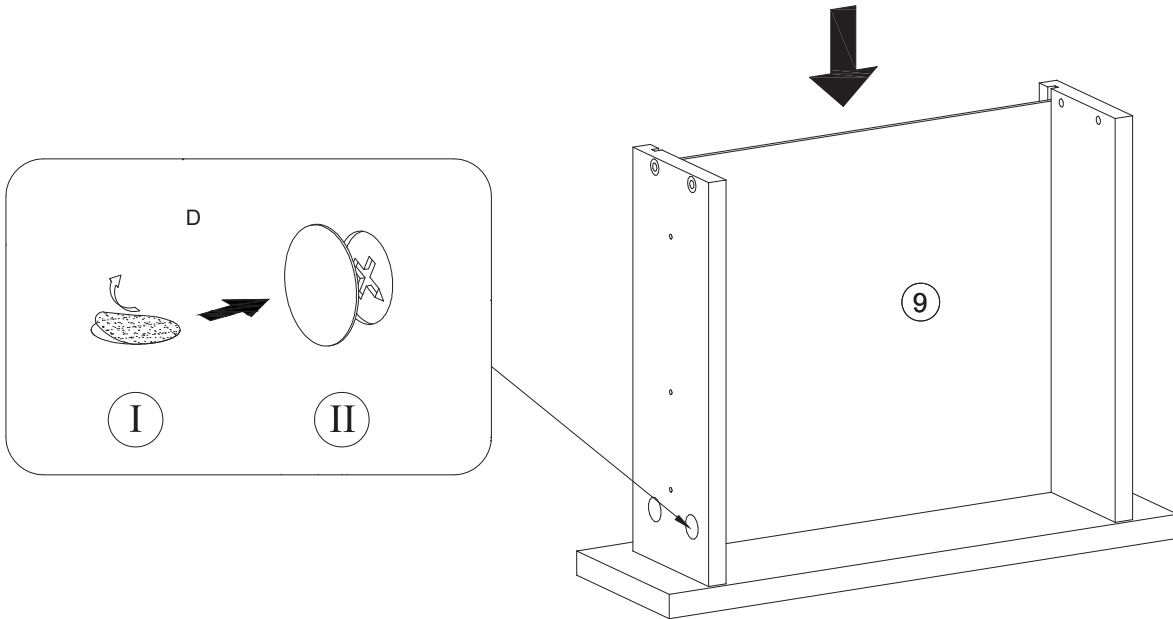
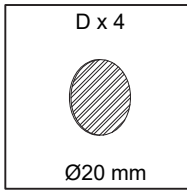
11



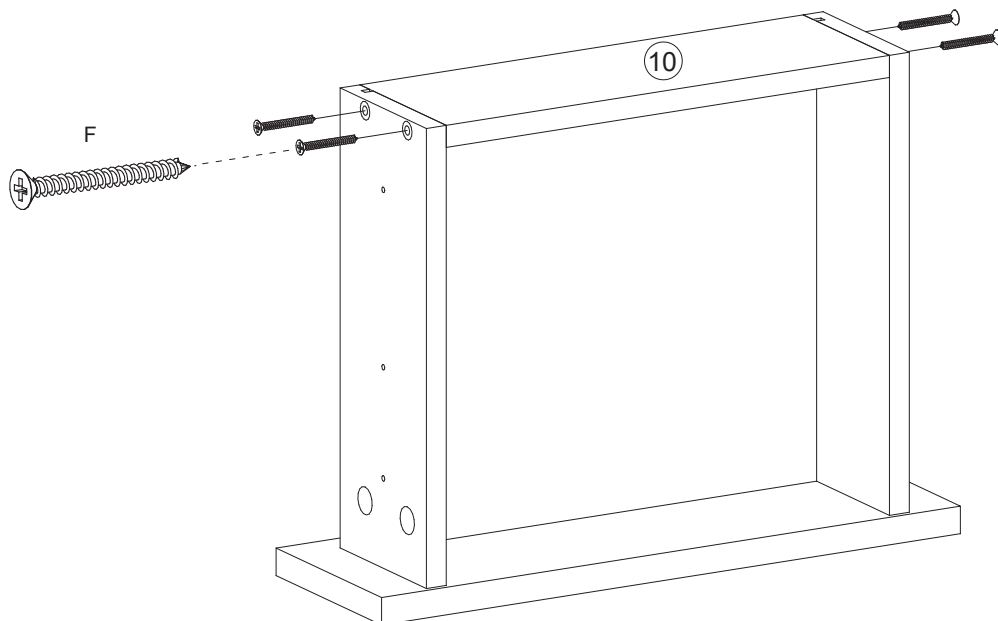
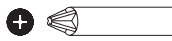
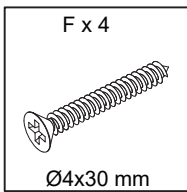
12



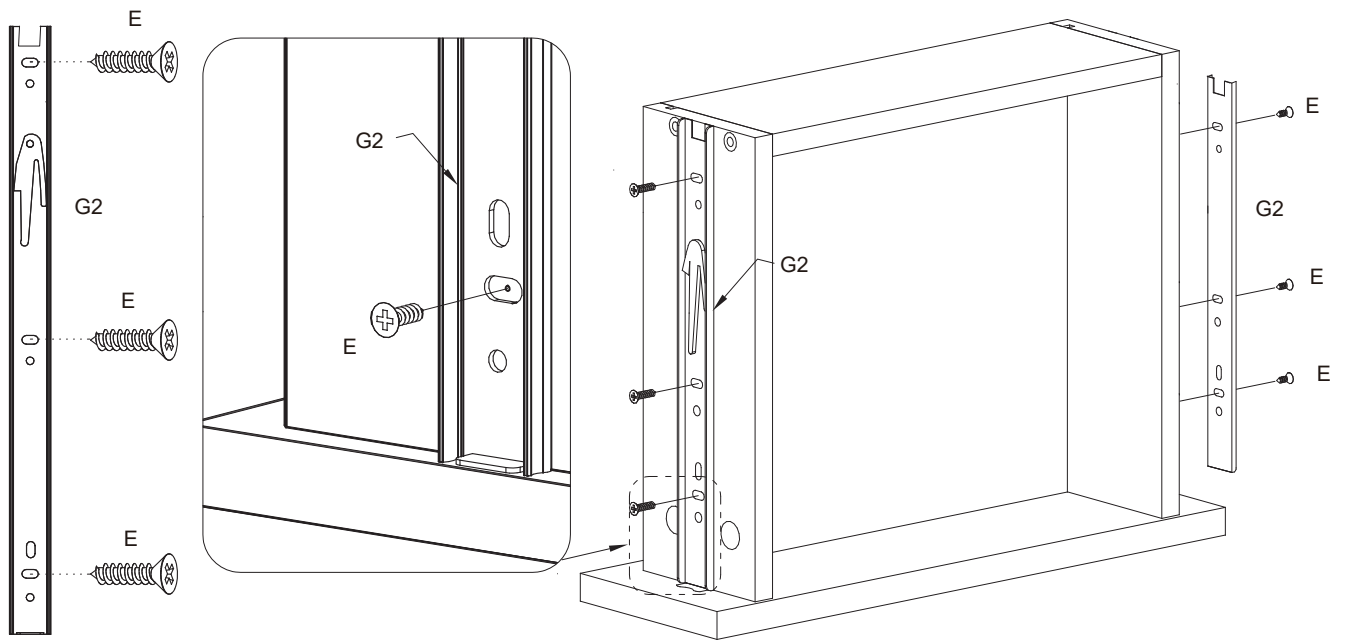
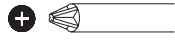
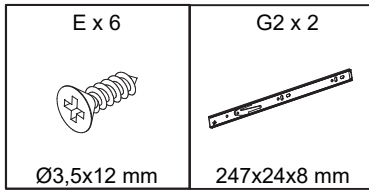
13



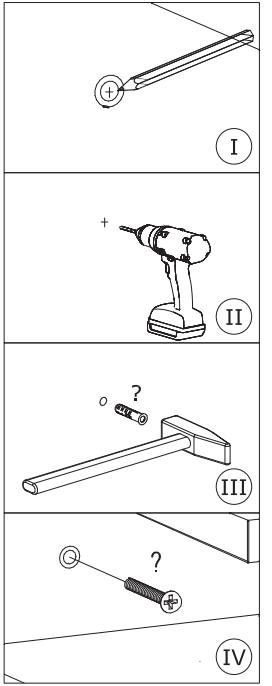
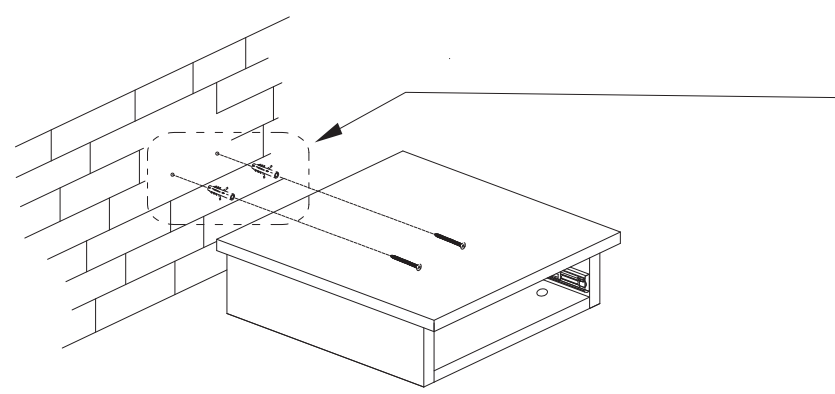
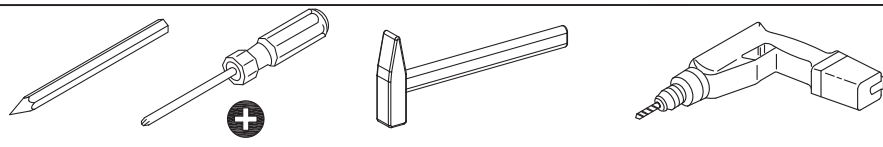
14



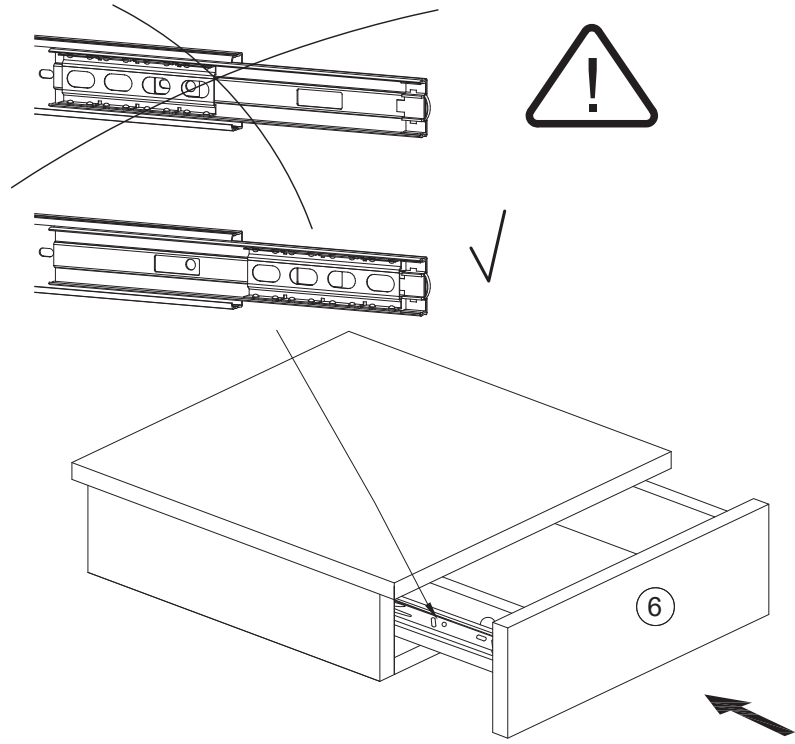
15



16



17



18

