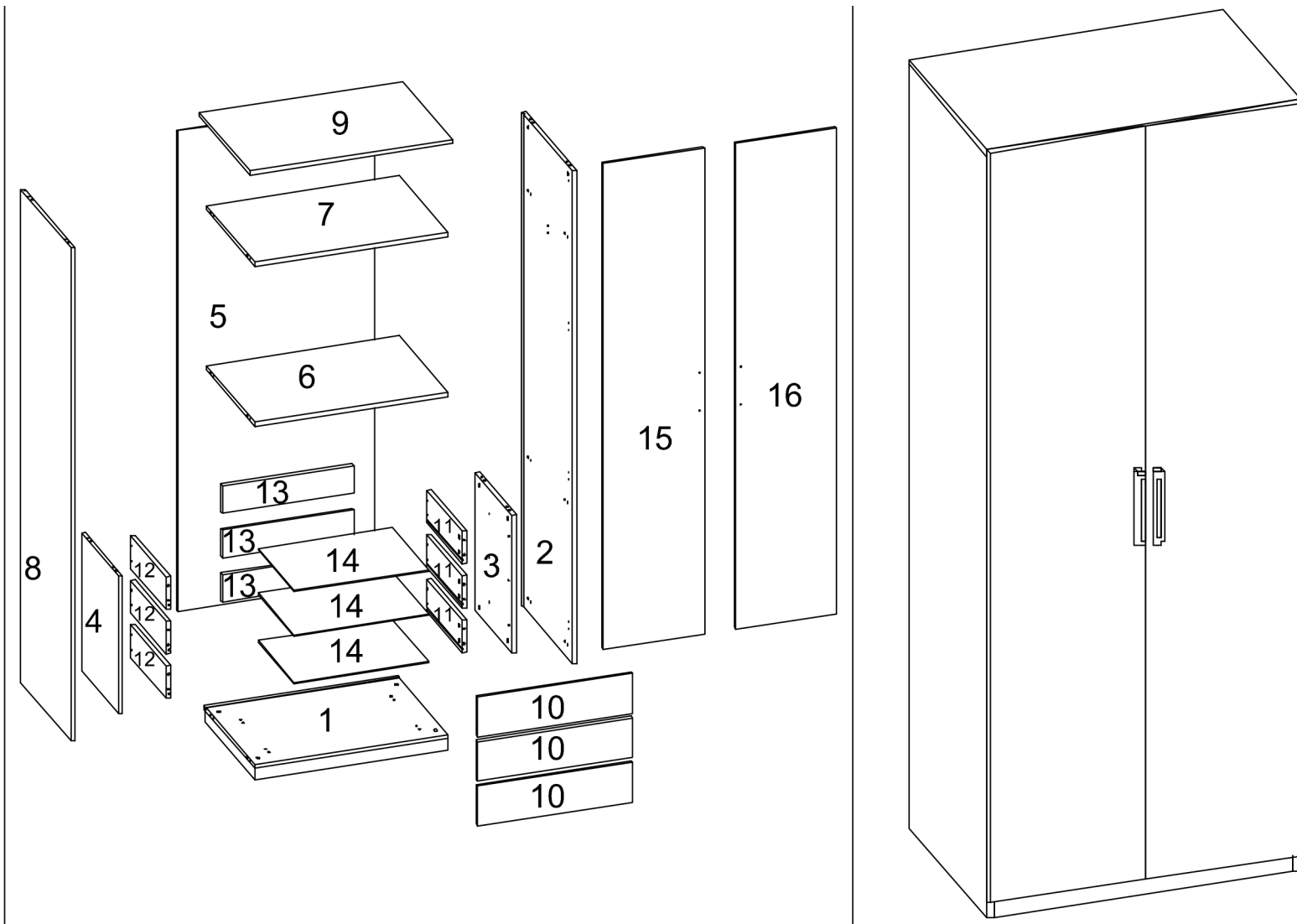


CHEST OF DRAWERS

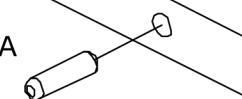


ATTENTION !!!

MINIFIX
BODY



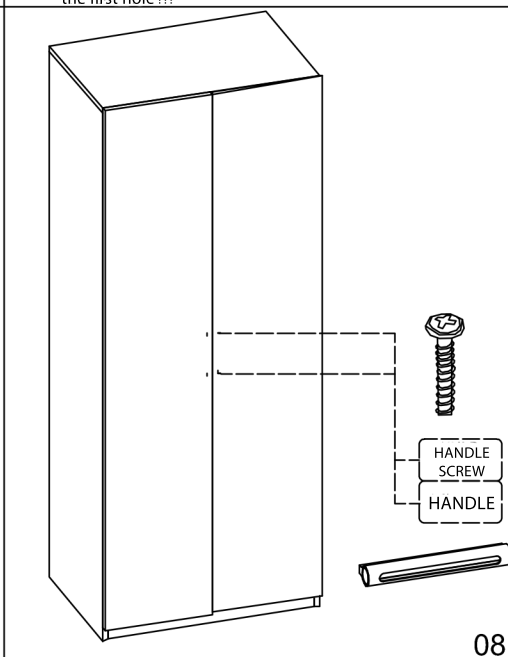
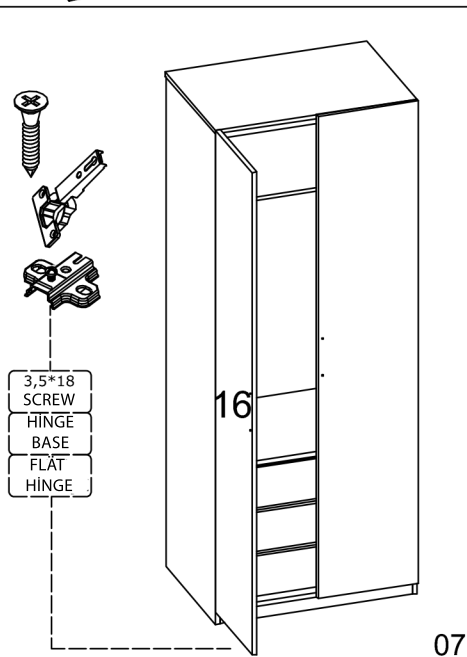
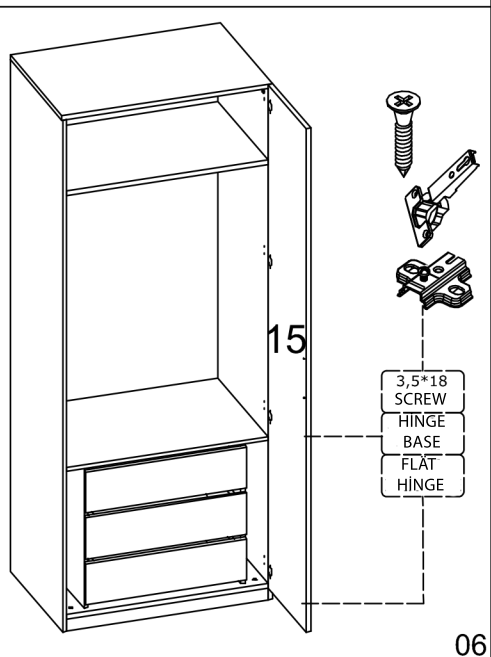
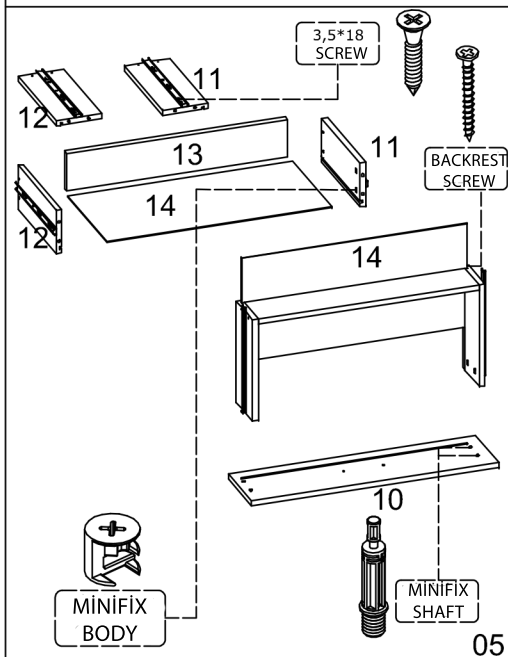
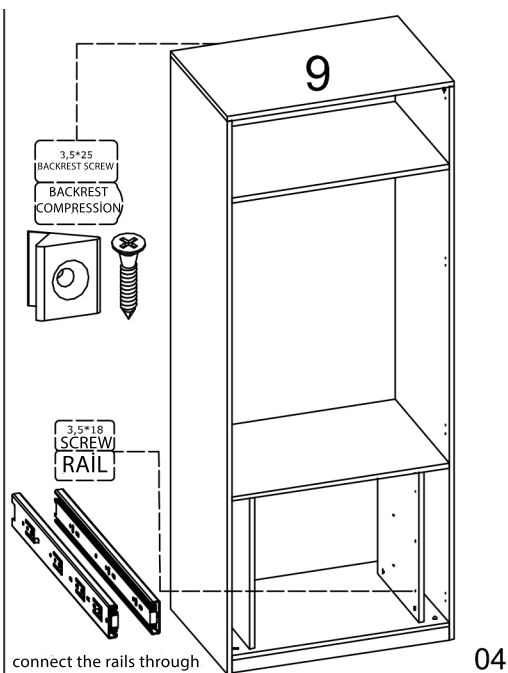
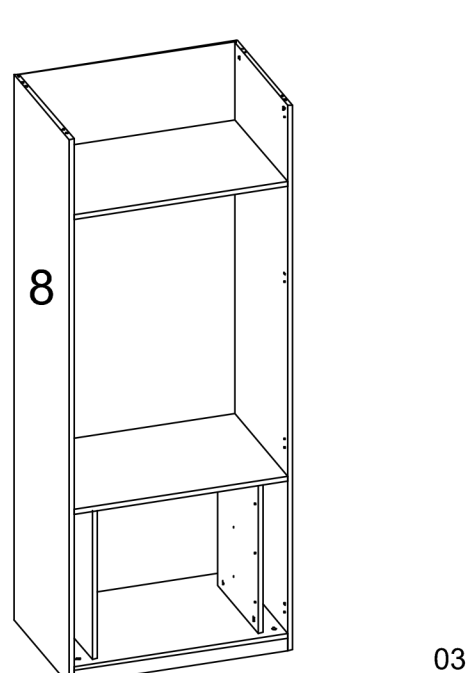
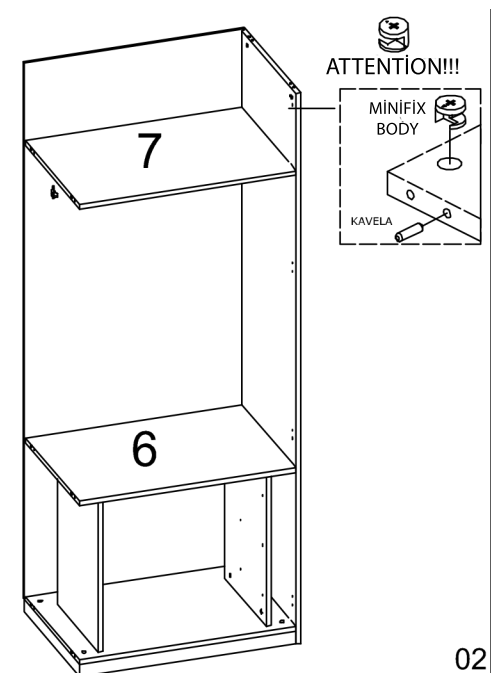
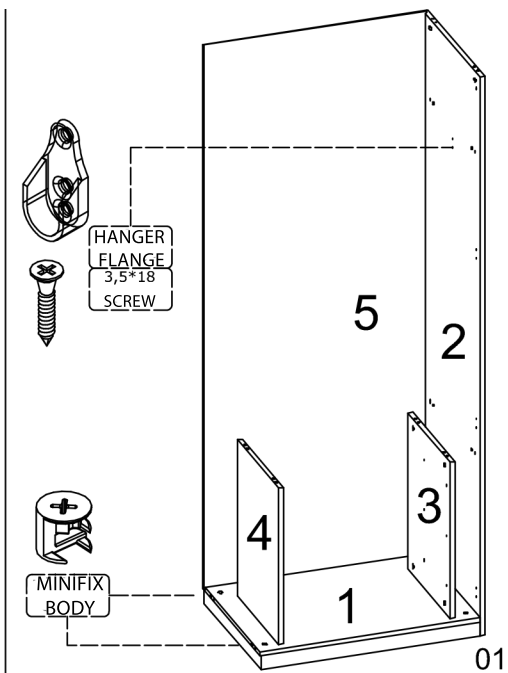
KAVELA

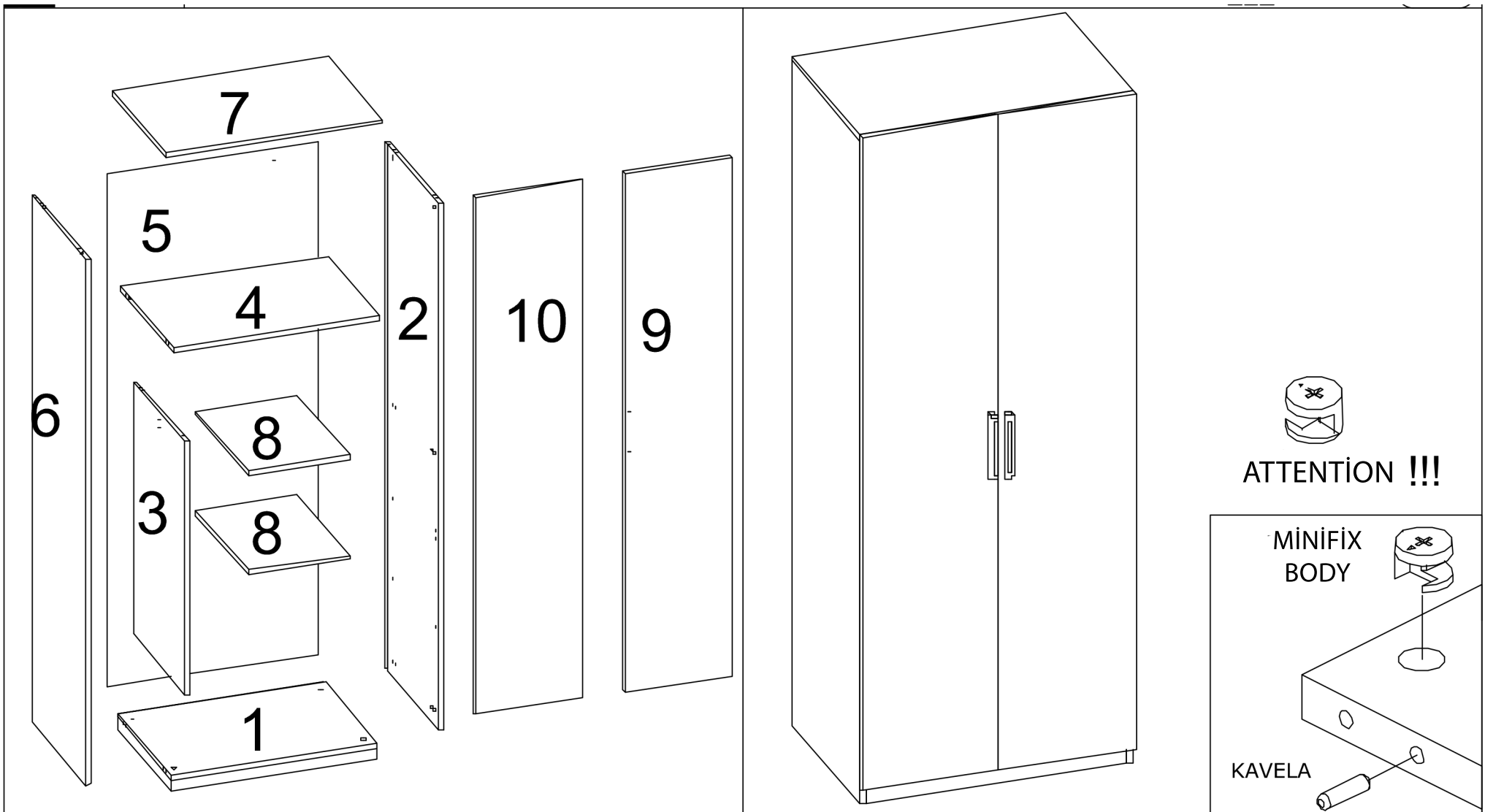


MINIFIX BODY	MINIFIX SHAFT	KAVELA	3,5*18 SCREW	3,5*25 BACKREST SCREW	BACKREST COMPRESSION	TELESCOPIC RAIL	HINGE BASE	FLAT HINGE	HANDLE	M4*22HANDLE SCREW	HANGER FLANGE
36 AD	36 AD	24 AD	68 AD	24 AD	10 AD	3 TK	8 AD	8 AD	2 AD	4 AD	2 AD

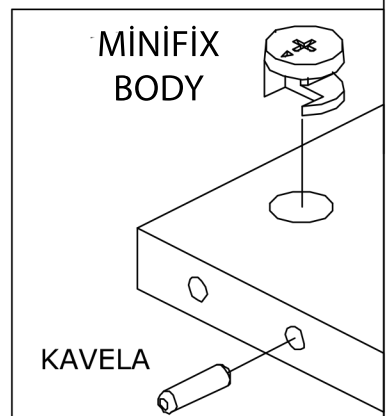
PIECE

CHEST OF DRAWERS





ATTENTION !!!



MINIFIX BODY	MINIFIX SHAFT	KAVELA	3,5*18 SCREW	3,5*25 BACKREST SCREW	BACKREST COMPRESSION	SHELF PYTHON	HINGE BASE	FLAT HINGE	HANDLE	M4*2 HANDLE SCREW	HANGER FLANGE
16 AD	16 AD	16 AD	56 AD	10 AD	10 AD	8 AD	8 AD	8 AD	2 AD	4 AD	4 AD

PIECE

HANGING CABINET WITH SHELVES

