

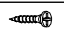
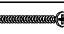



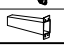




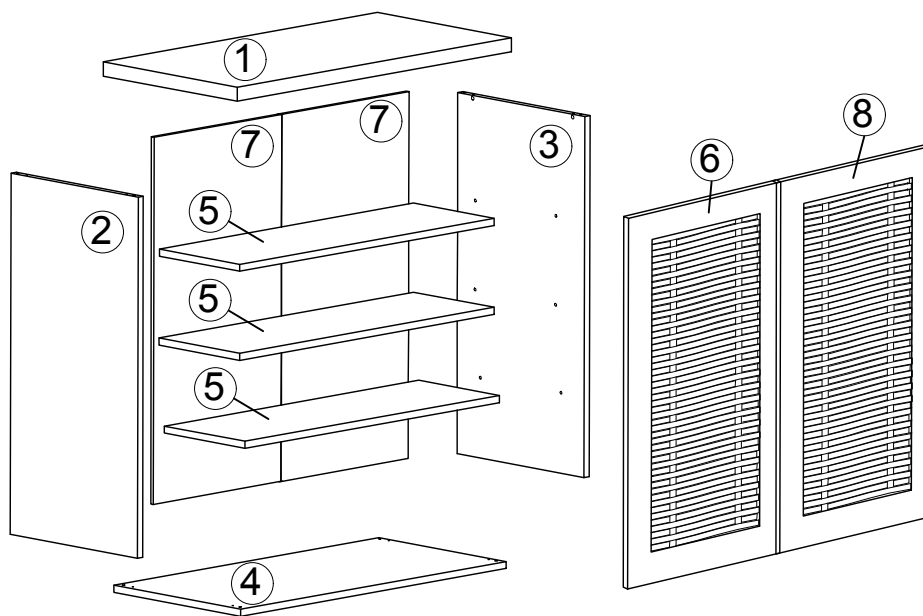
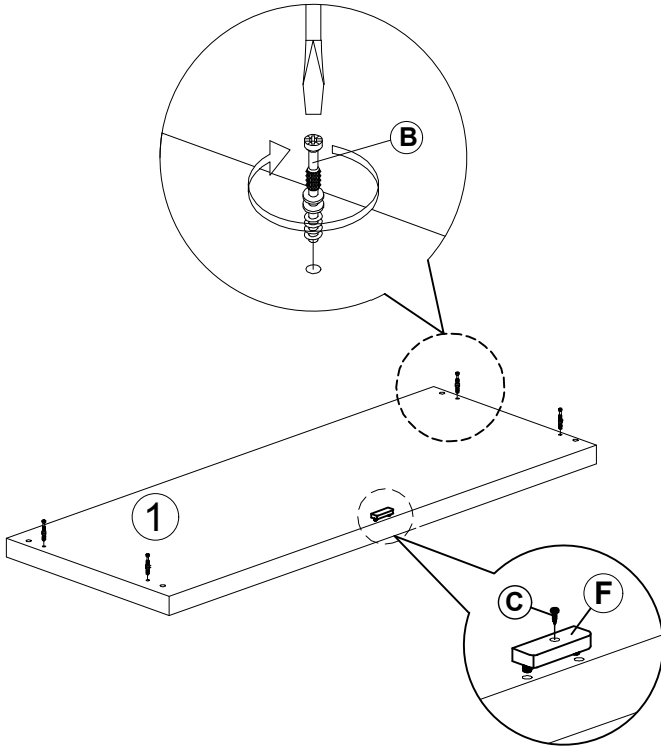


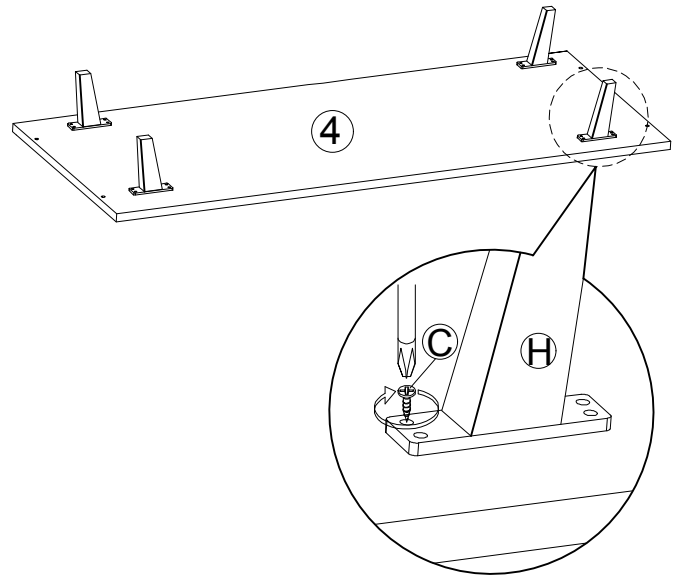
No.	SHAPE	DESCRIPTION	Qty.
A		8x25mm Dowel	8Pcs
B		15MM Myfix Minifix	4Sets
C		M3.5x16mm Screw	41Pcs
D		M4x45mm Screw	4Pcs
E		Nail	30Pcs
F		2 Pin Stopper	1Pcs
G		Hinges	4Pcs
H		Plastic Leg	4Pcs
I		Shelf Support	12Pcs
J		Handle Knod	2Pcs
K		M4x28mm Screw	2Pcs
L		Sticker	2Pcs



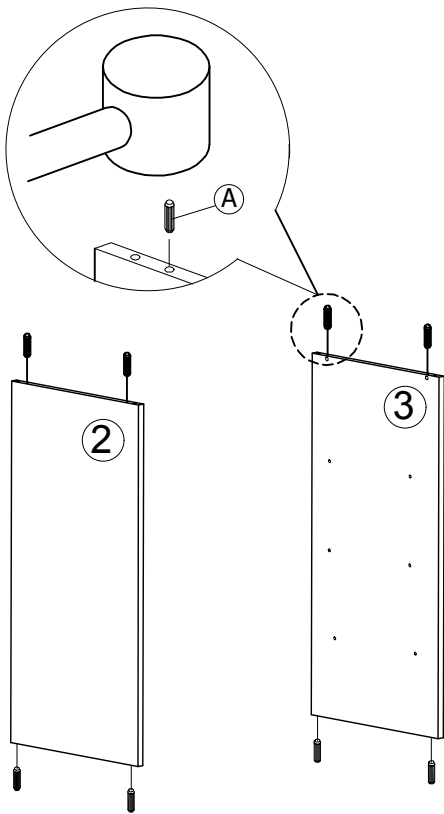
### Step 1



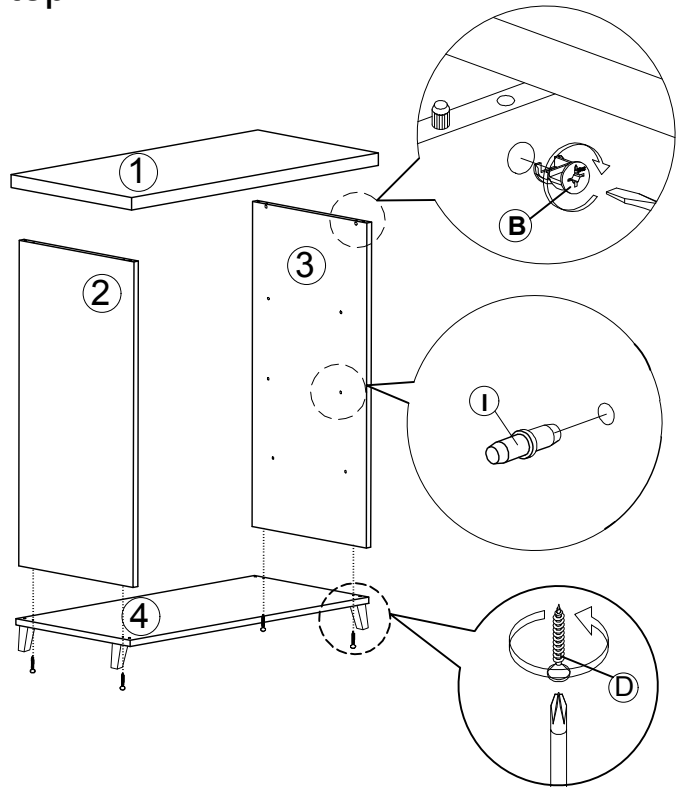
### Step 2



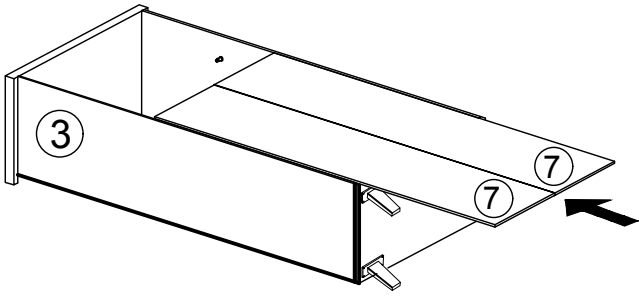
### Step 3



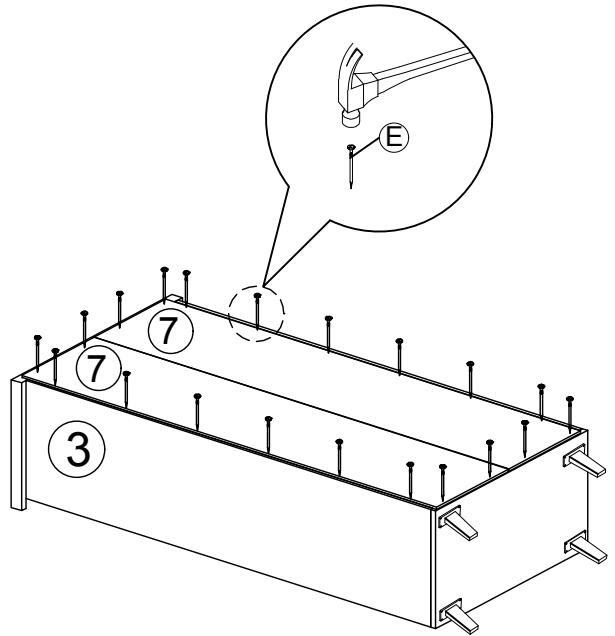
### Step 4



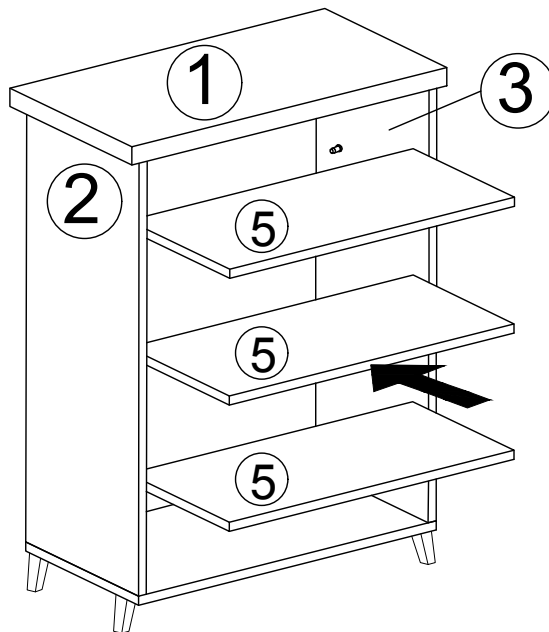
### Step 5



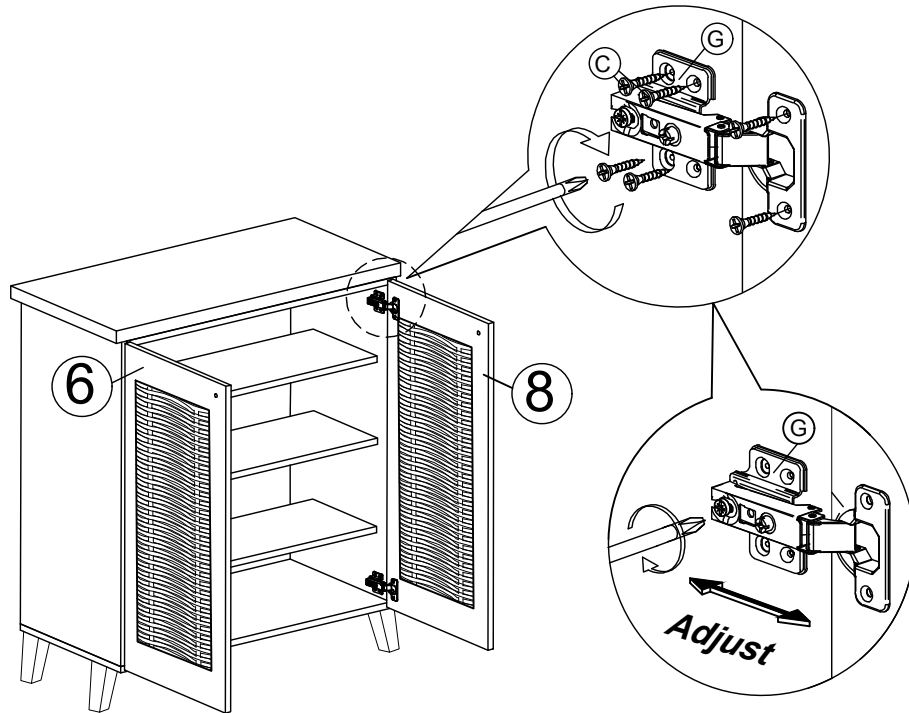
### Step 6



### Step 7



## Step 8



## Step 9

