


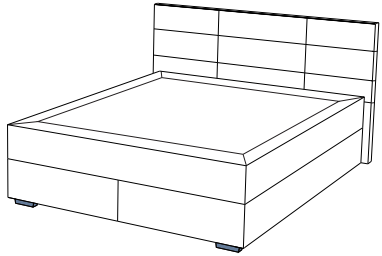



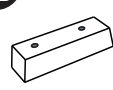



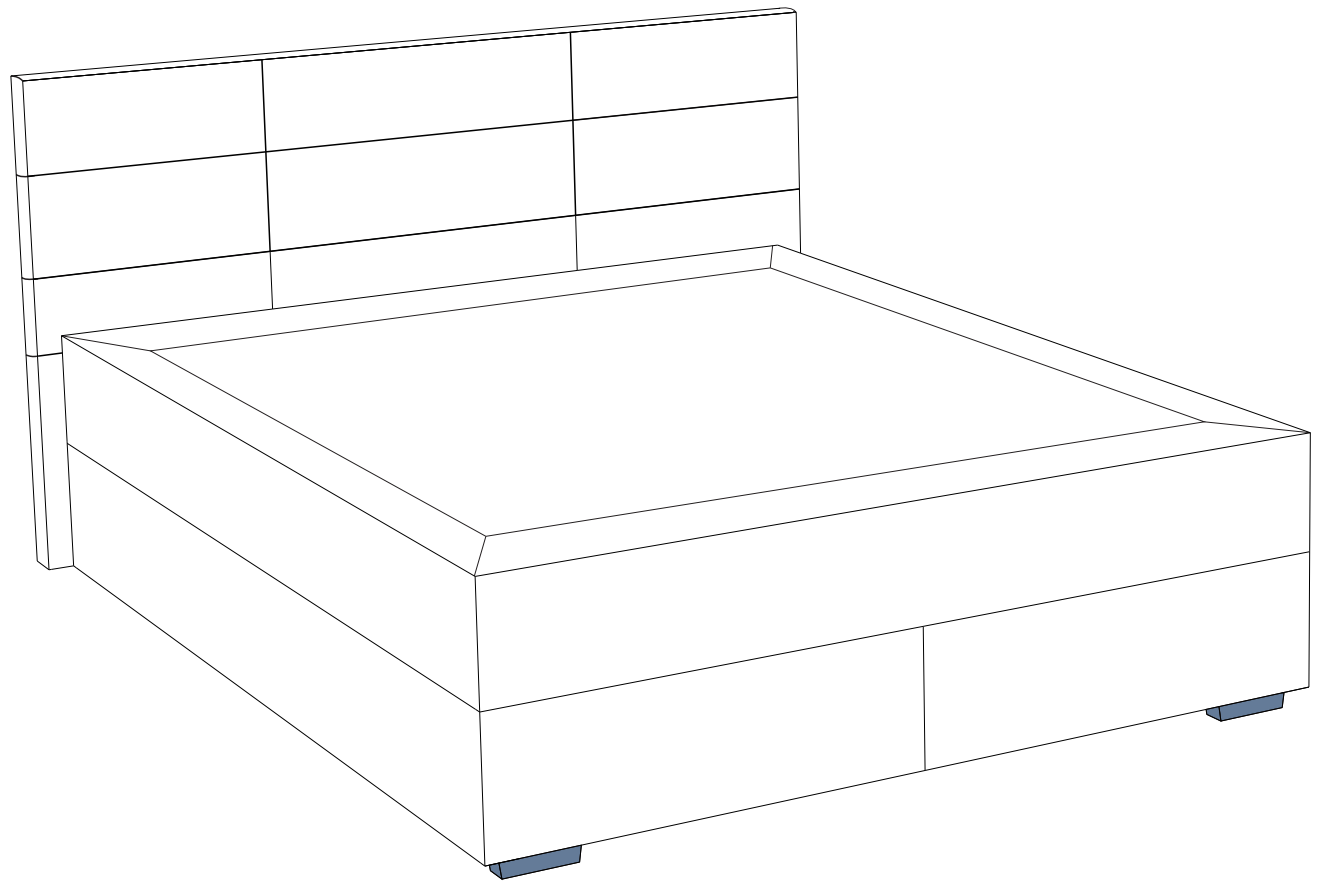





2 X		20min	
			

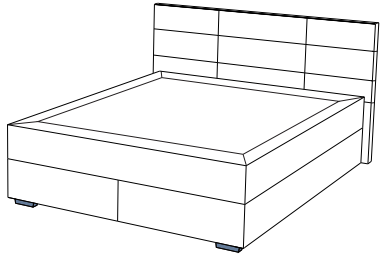


<b>A</b>  x6	<b>B</b>  x6	<b>C</b>  M8X80 x6	<b>D</b>  x2	<b>E</b>  M6x65 x4	<b>F</b>  x6	<b>G</b>  x10
--	---	---	---	---	---	--

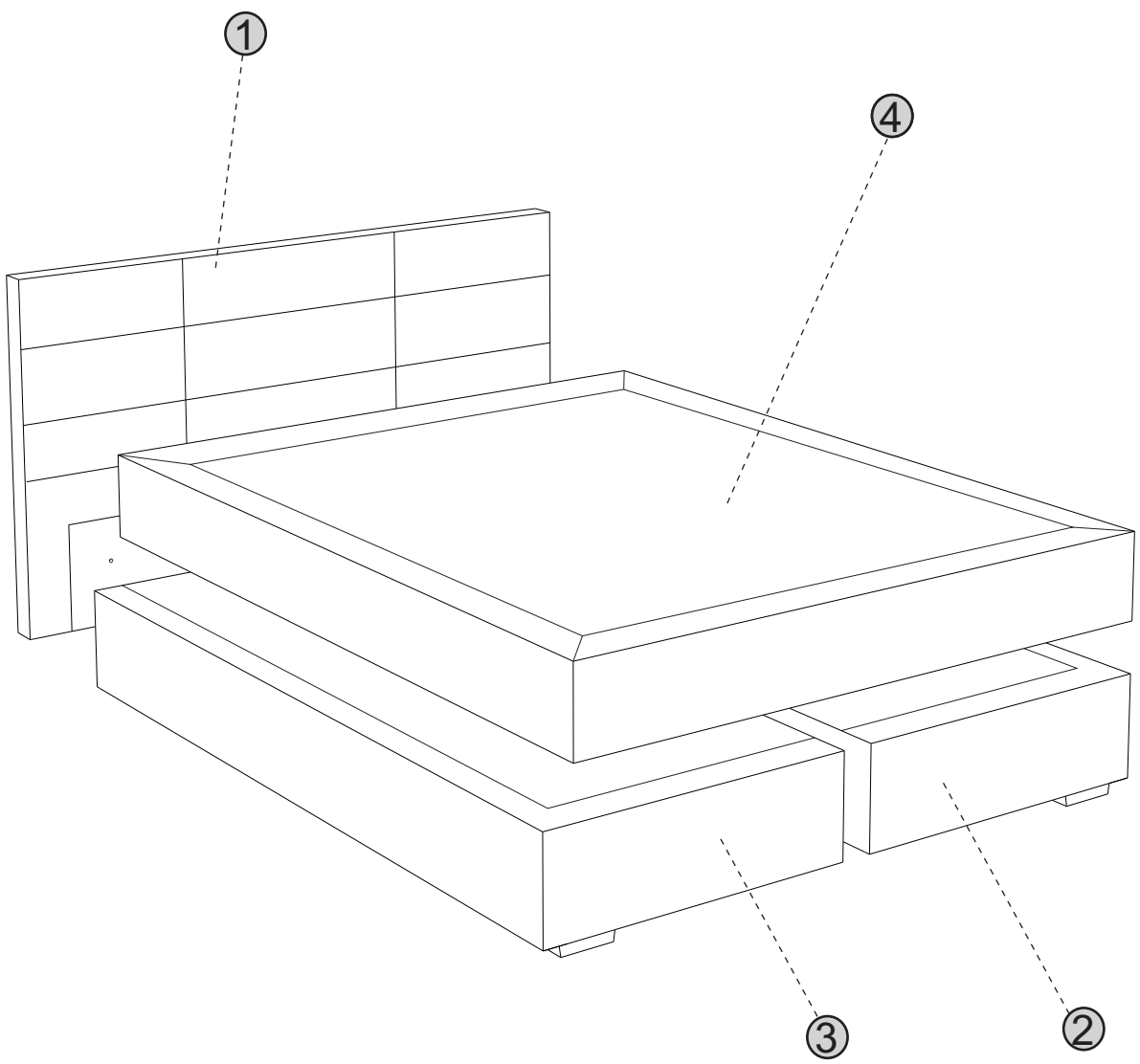
0  
10  
20  
30  
40  
50  
60  
70  
80  
90  
100  
110  
120  
130  
140  
150



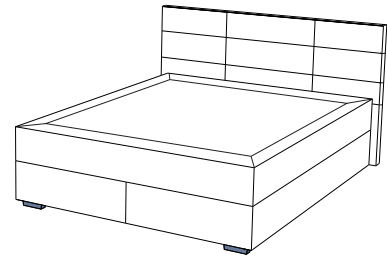
2 X		20min	
			



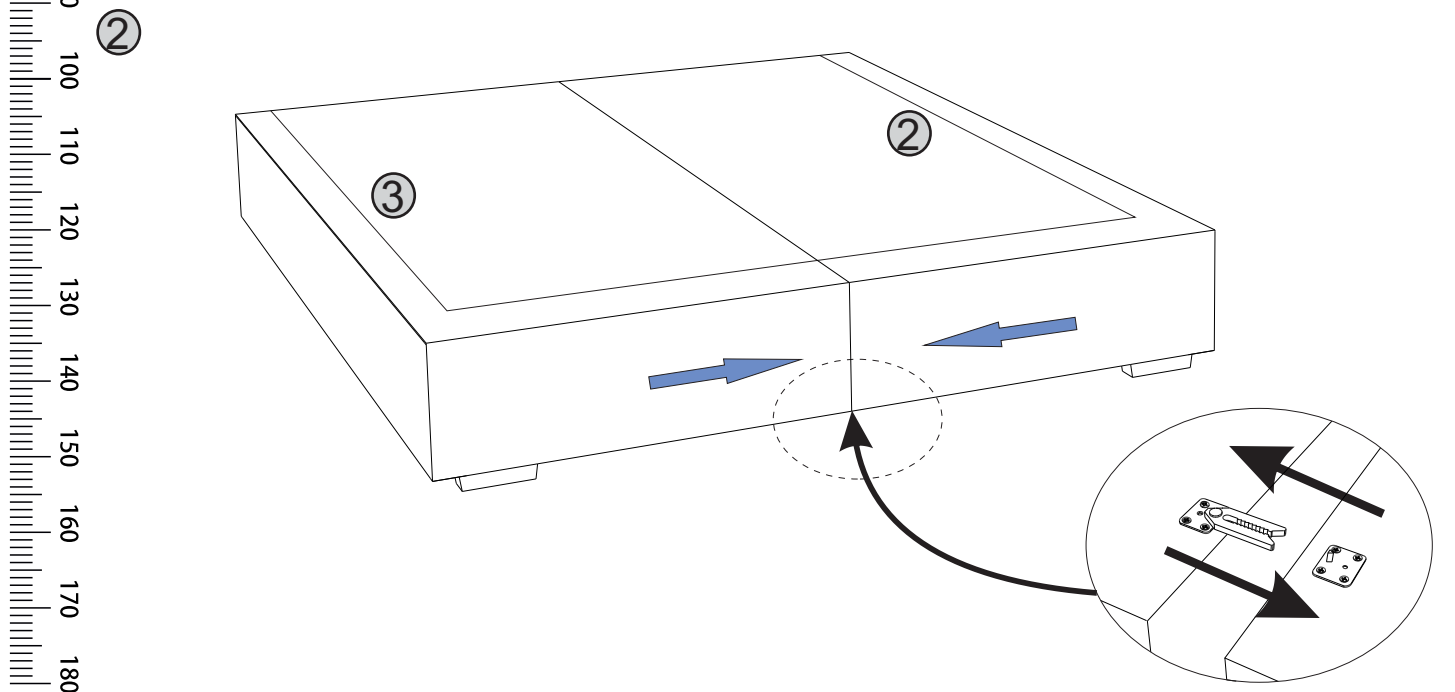
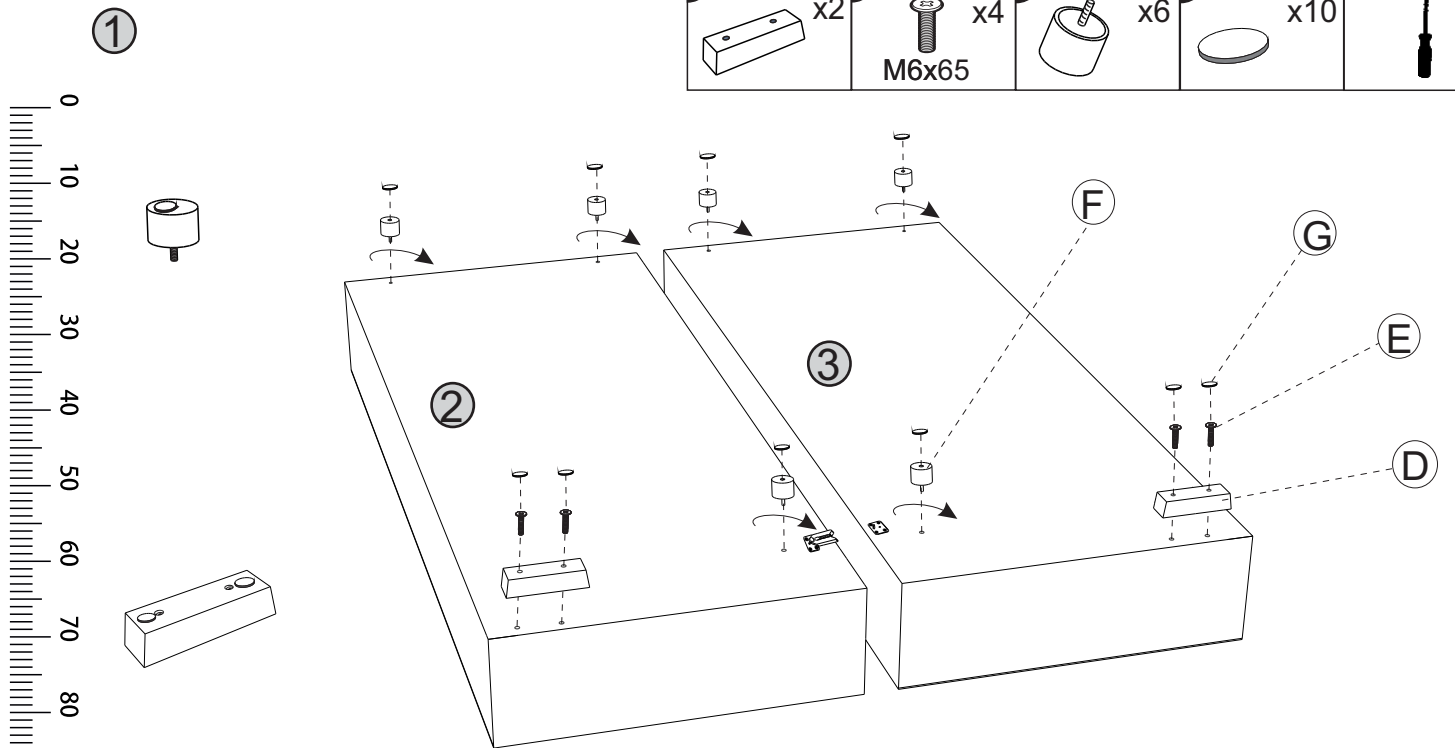
0  
10  
20  
30  
40  
50  
60  
70  
80  
90  
100  
110  
120  
130  
140  
150  
160  
170  
180






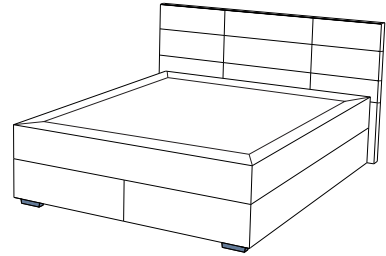
<b>2 X</b>	<b>20min</b>	⊕ 🔪
👤 👤	🕒	🔪




<b>D</b> x2	<b>E</b> x4 M6x65	<b>F</b> x6	<b>G</b> x10	⊕ 🔪
----------------	-------------------------	----------------	-----------------	--------



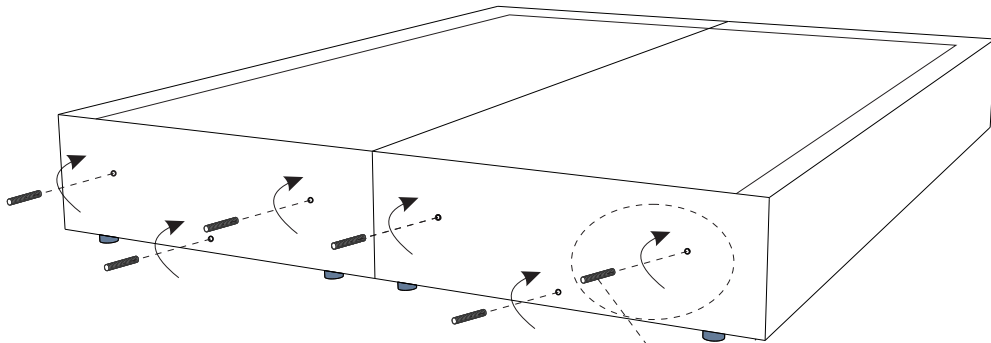
<b>2 X</b>		<b>20min</b>	
			



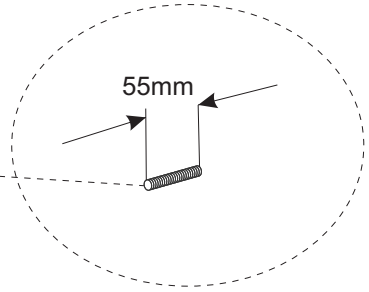
③

**C**  x6  
M8X80

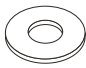

0  
10  
20  
30  
40  
50  
60  
70  
80  
90  
100  
110  
120  
130  
140  
150  
160  
170  
180

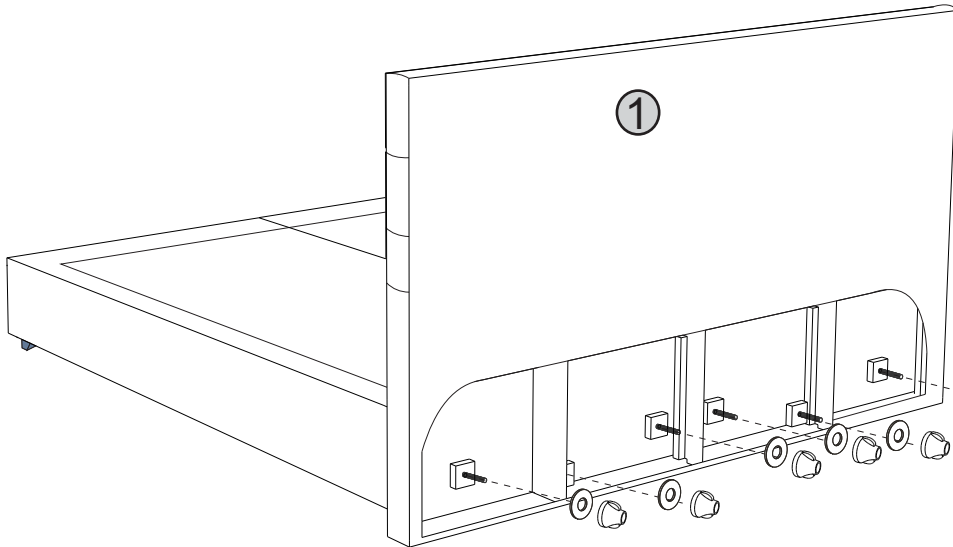


**C**



④

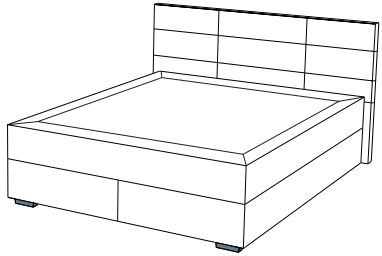



**A**  x6    **B**  x6



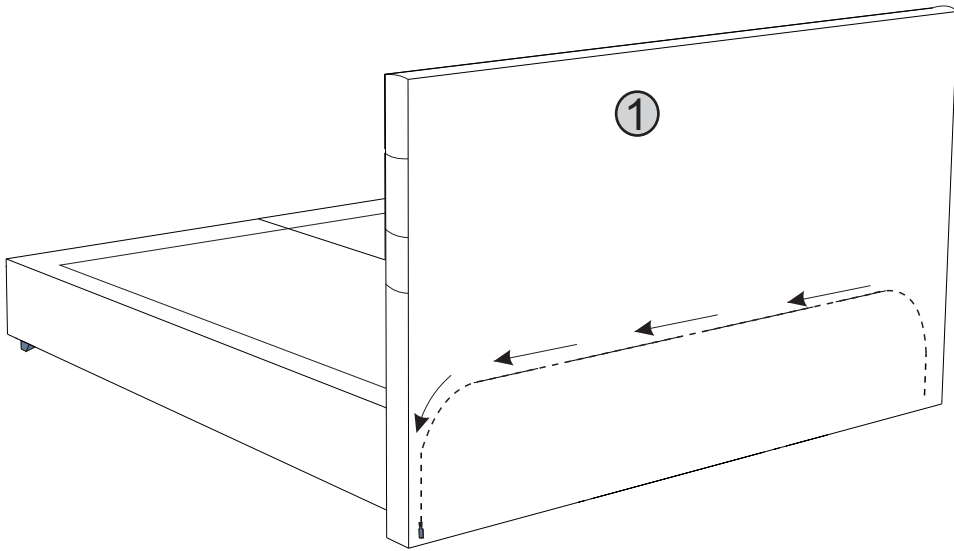
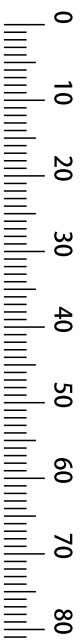
**A**

**B**

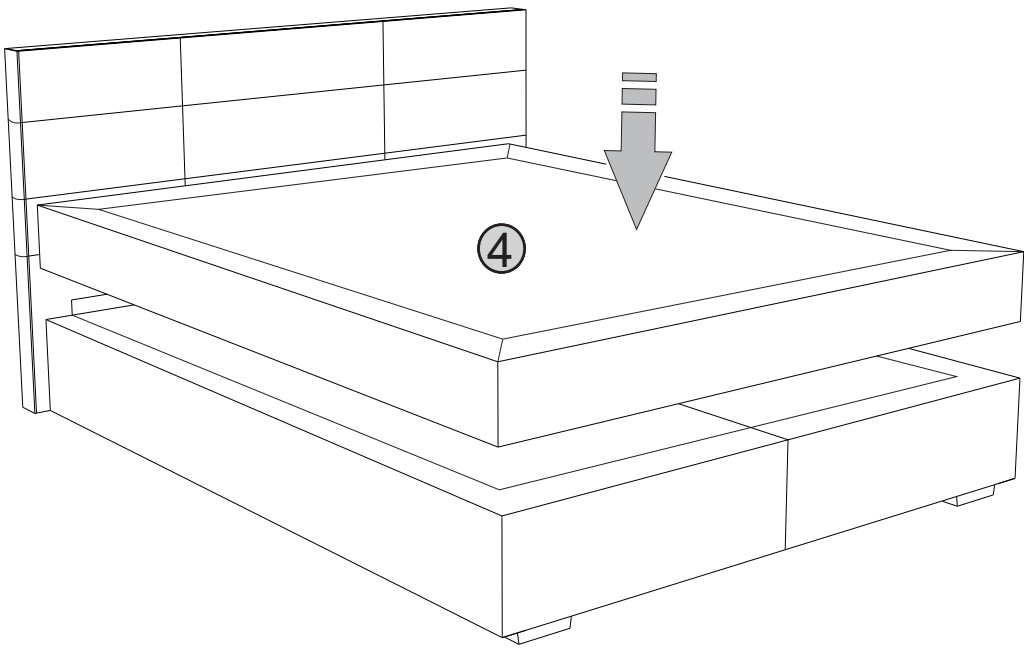
2 X      20min






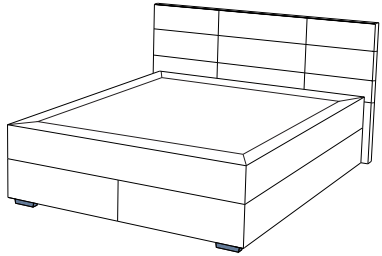
5



6



<b>2 X</b>		<b>20min</b>	
			



0  
10  
20  
30  
40  
50  
60  
70  
80  
90  
100  
110  
120  
130  
140  
150  
160  
170  
180

