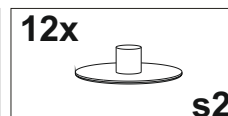
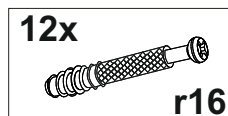
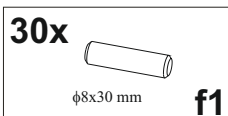
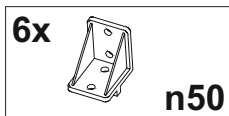
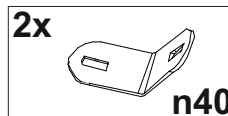
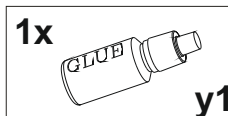
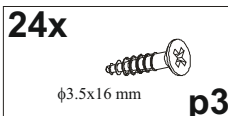
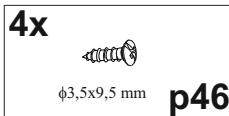
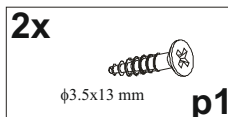
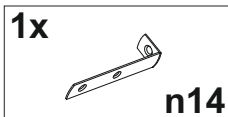
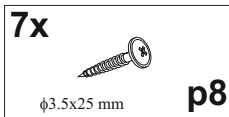
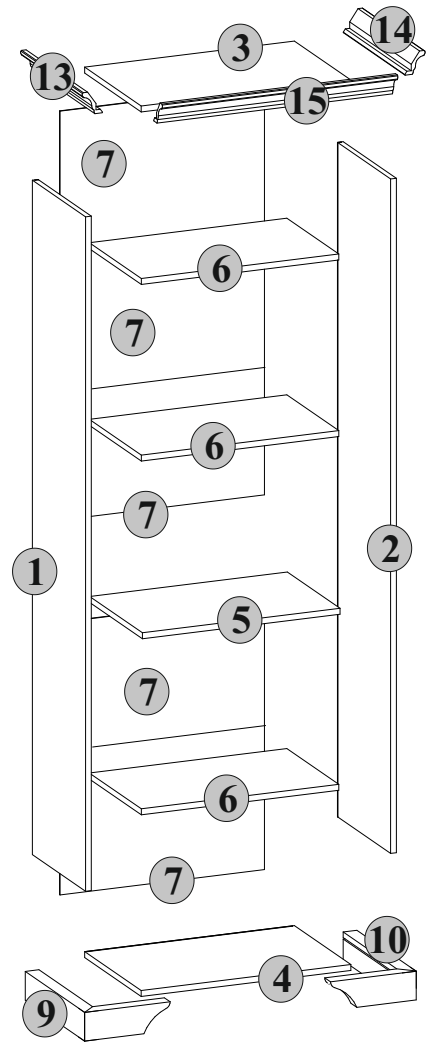
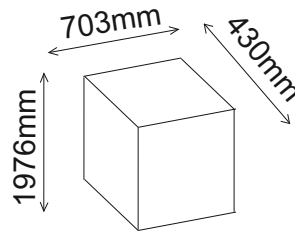
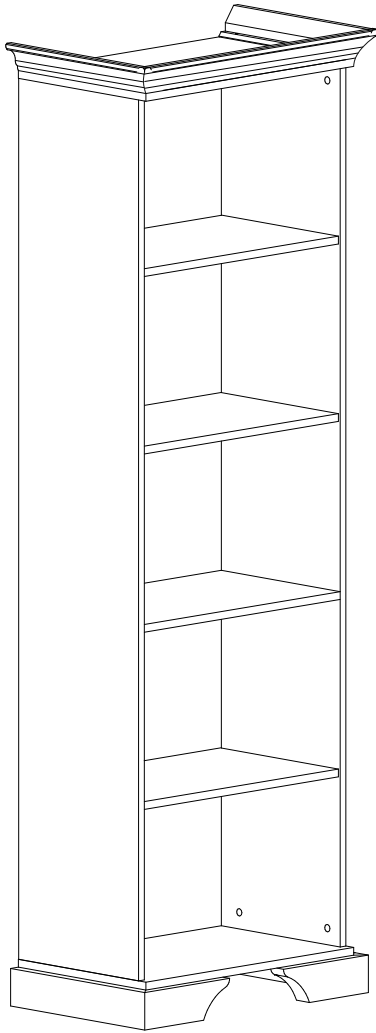
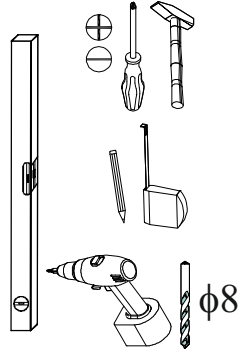


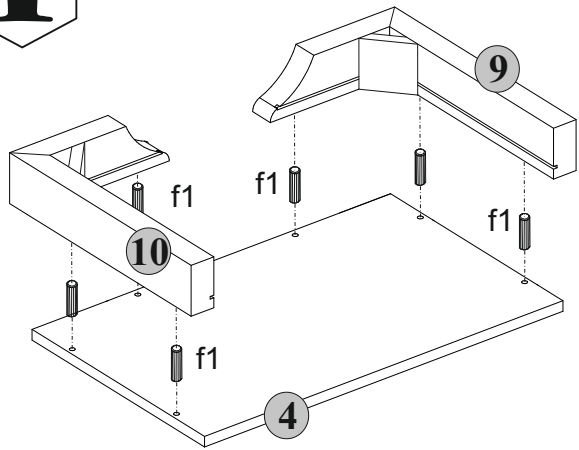


number	Measurements	Pcs.
1	1807x348	1
2	1807x348	1
3	584x370	1
4	584x370	1
5	550x345	1
6	549x340	3
7	365x569	5
9	390x238x77	1
10	390x238x77	1

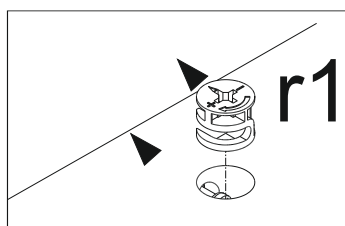
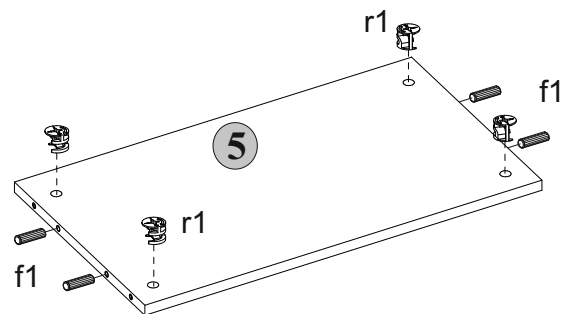
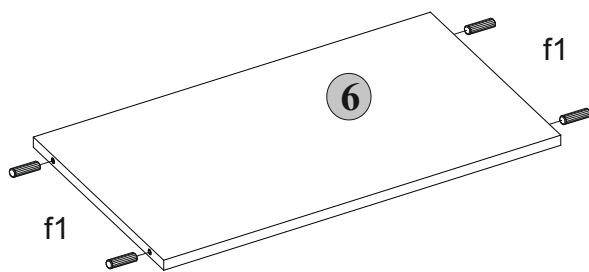
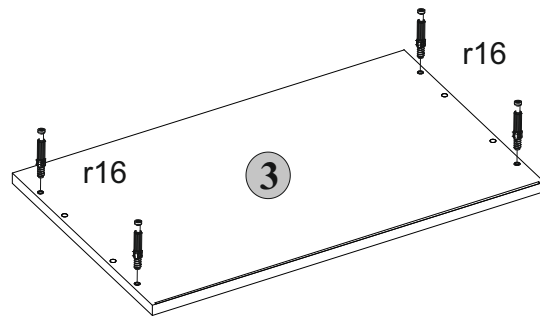
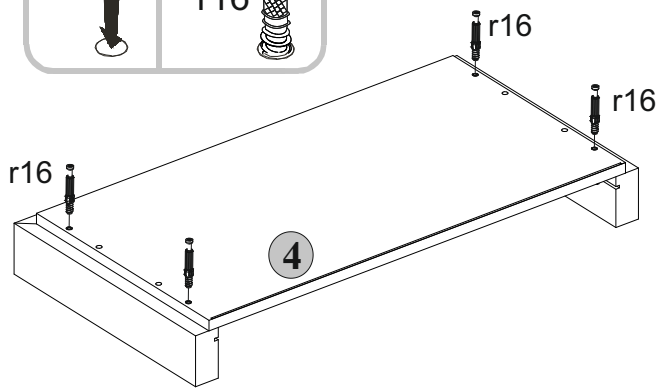
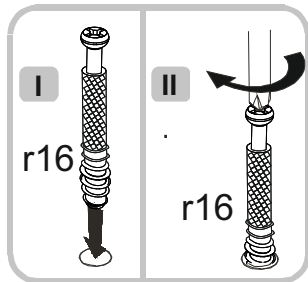
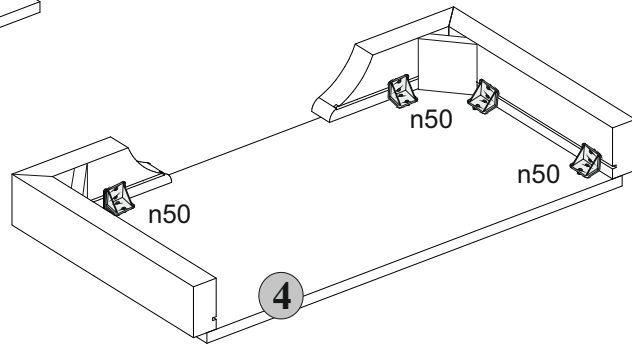
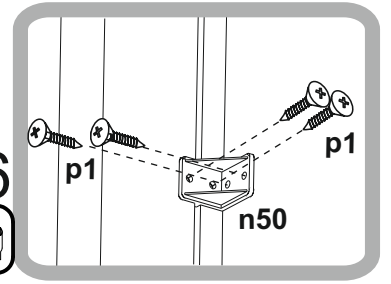
13	403x	1
14	403x	1
15	641x	1



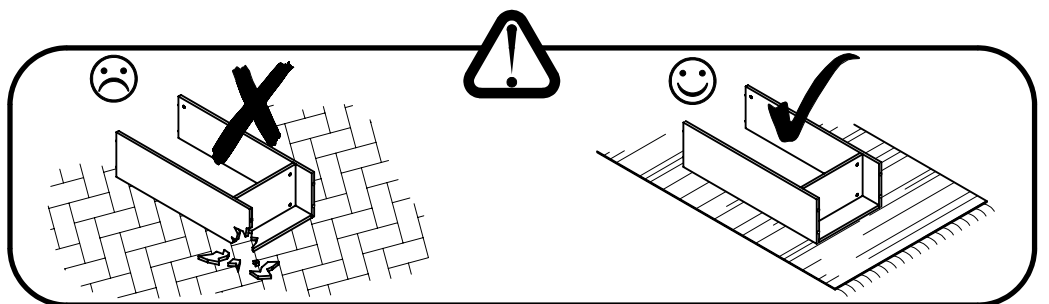
I



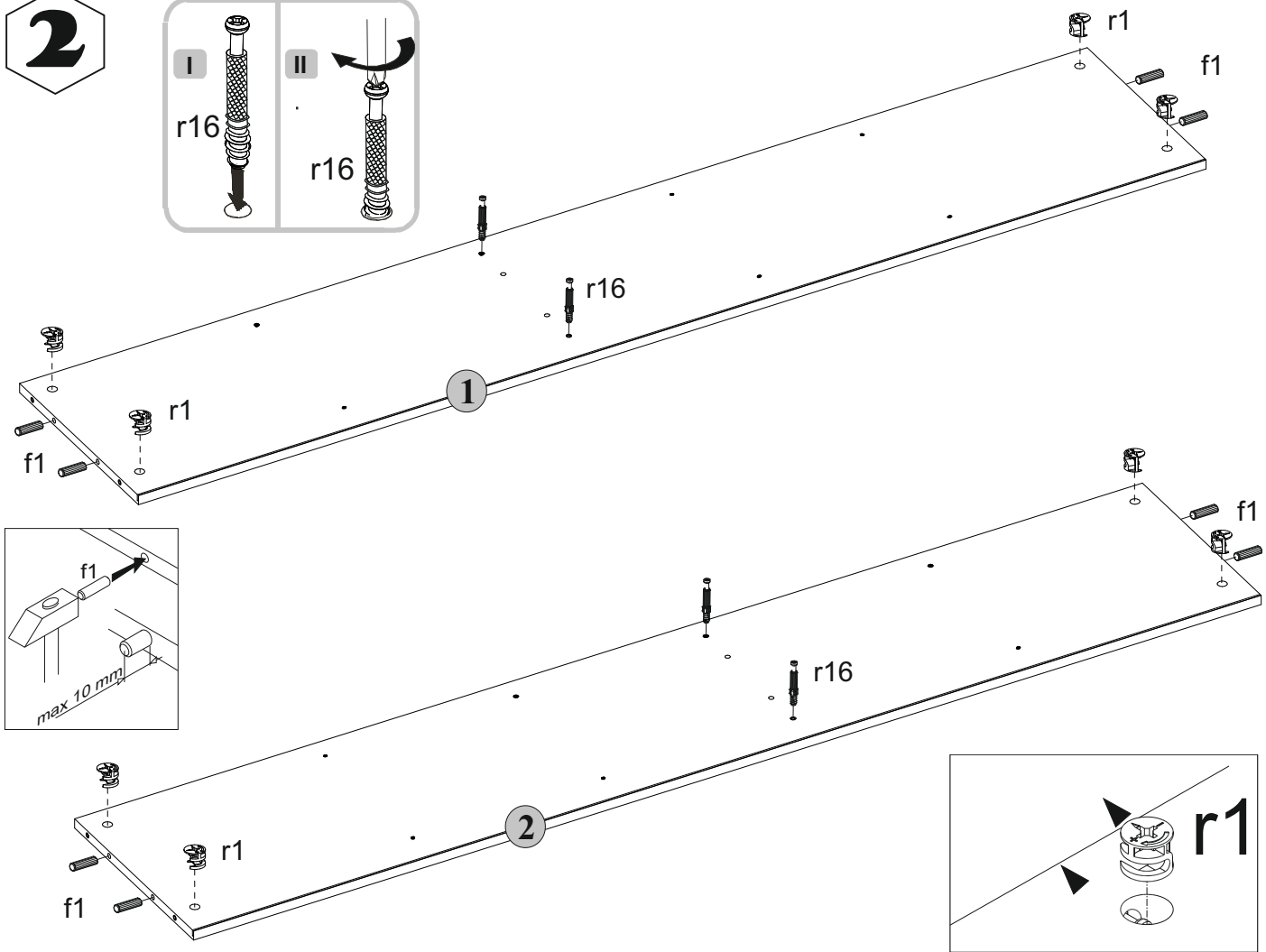
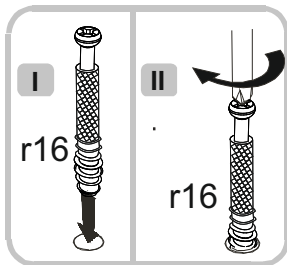
x6



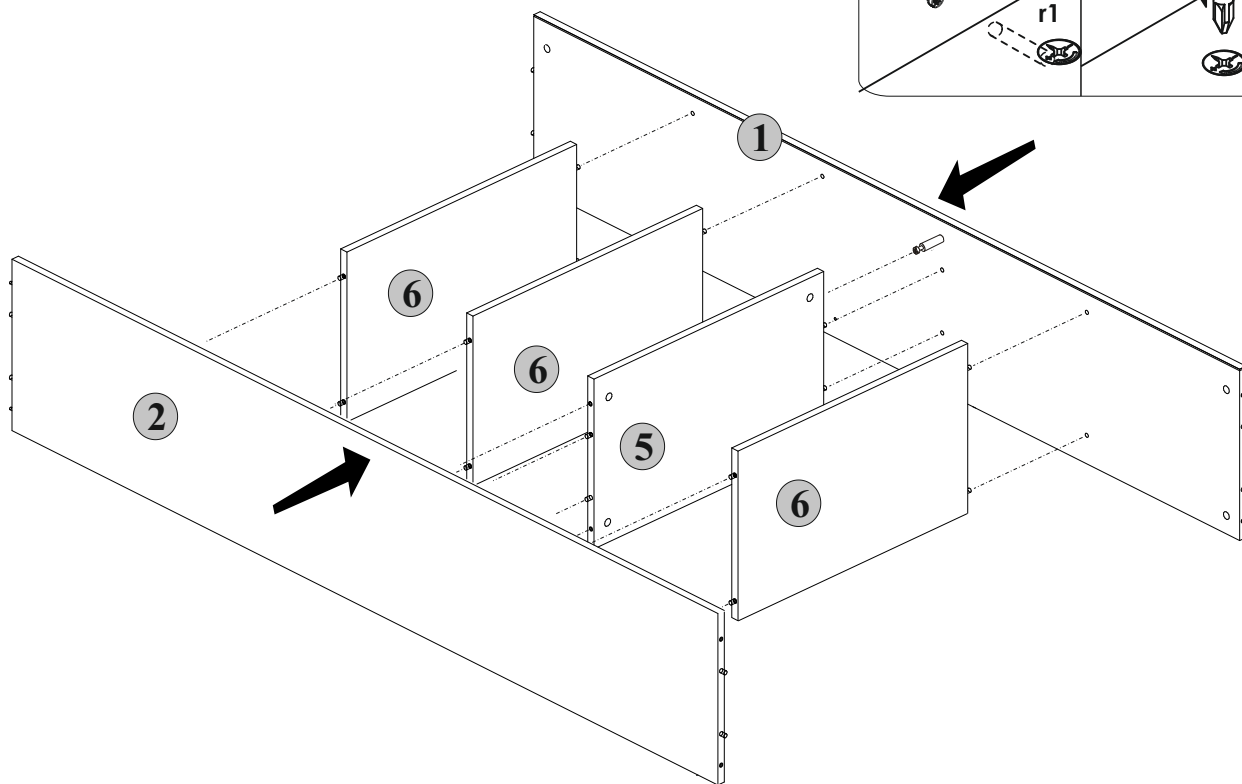
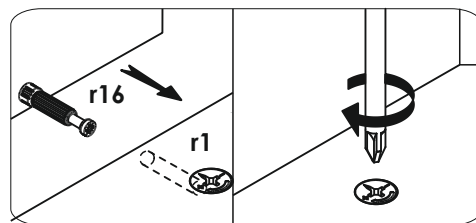
2



2

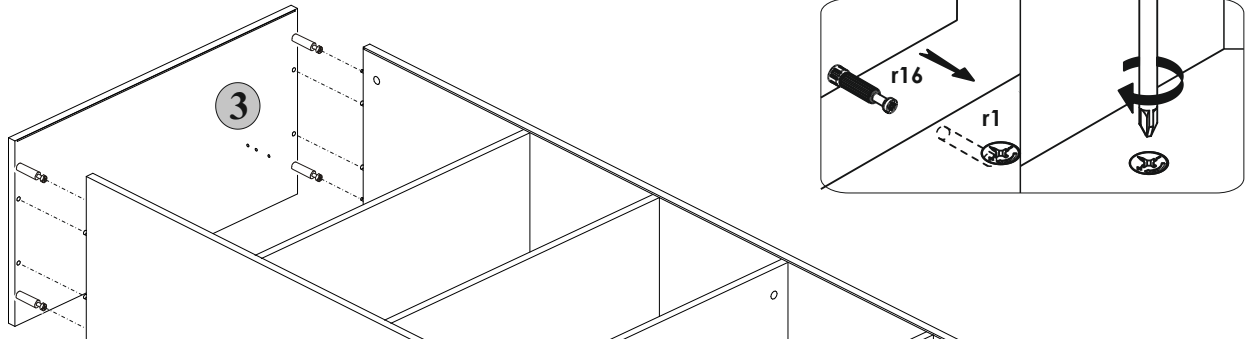


3

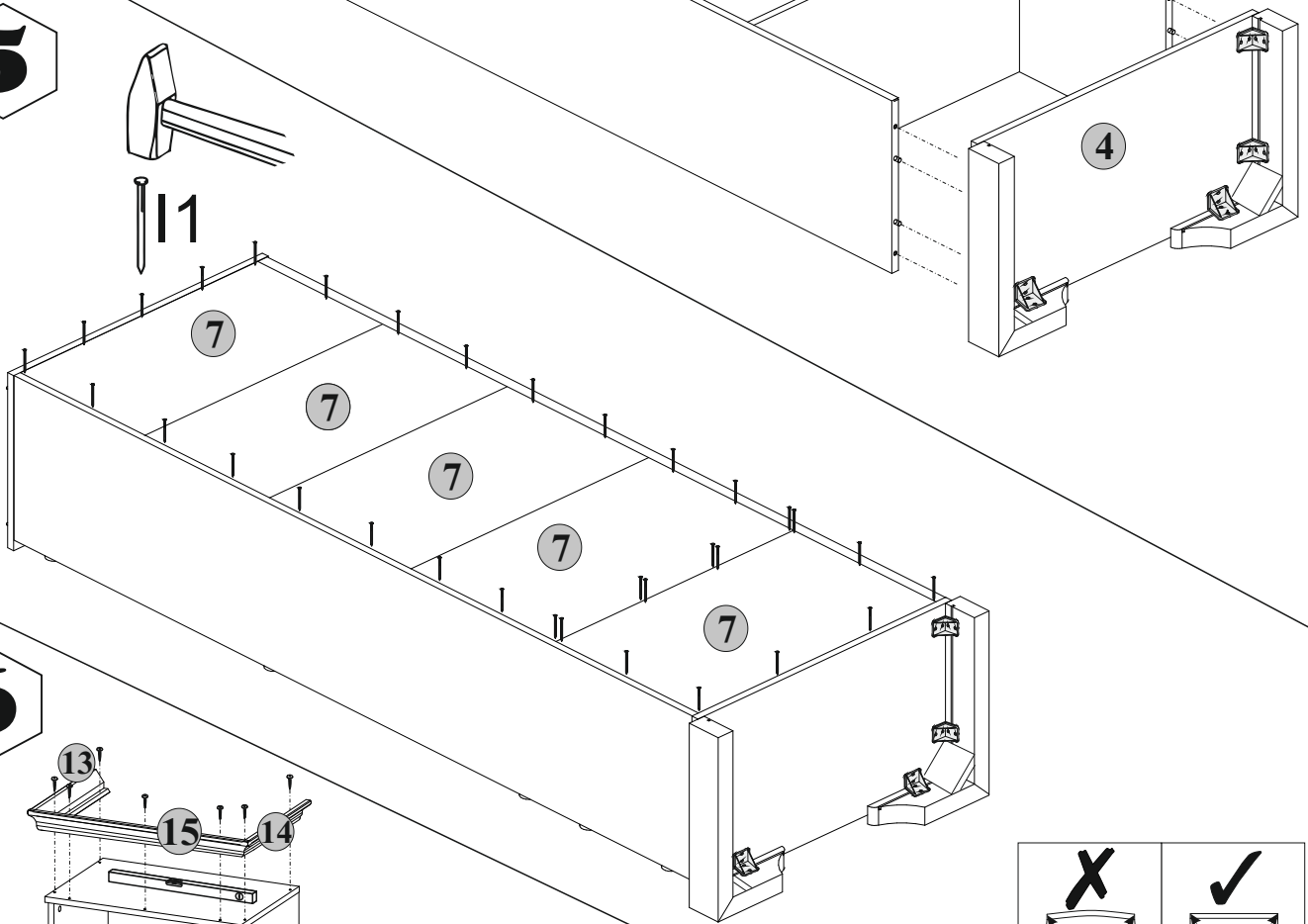


3

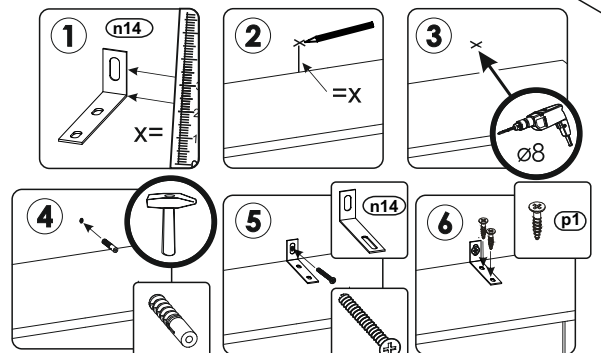
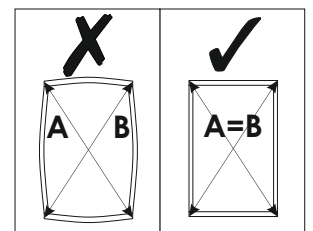
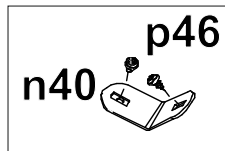
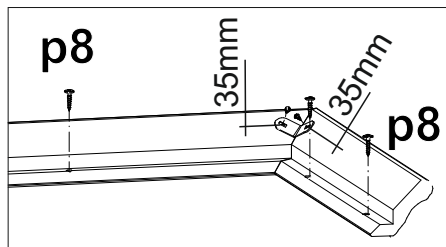
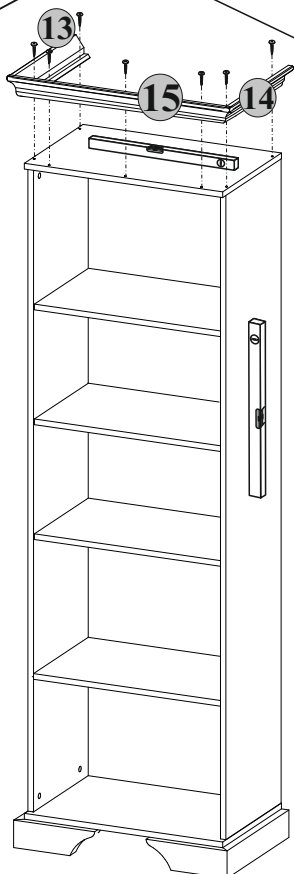
4



5



6



4