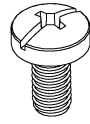
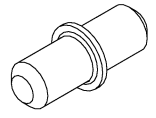


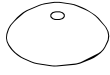
A x 3



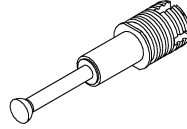
B x 7



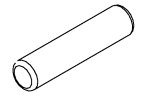
C x 4



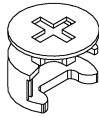
D x 4



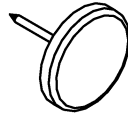
E x 27



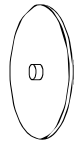
F x 17



G x 27



H x 6

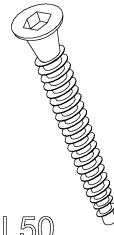


I x 27



J x 13

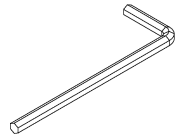
3.5x16



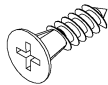
K x 3

D8 L50

L x 1

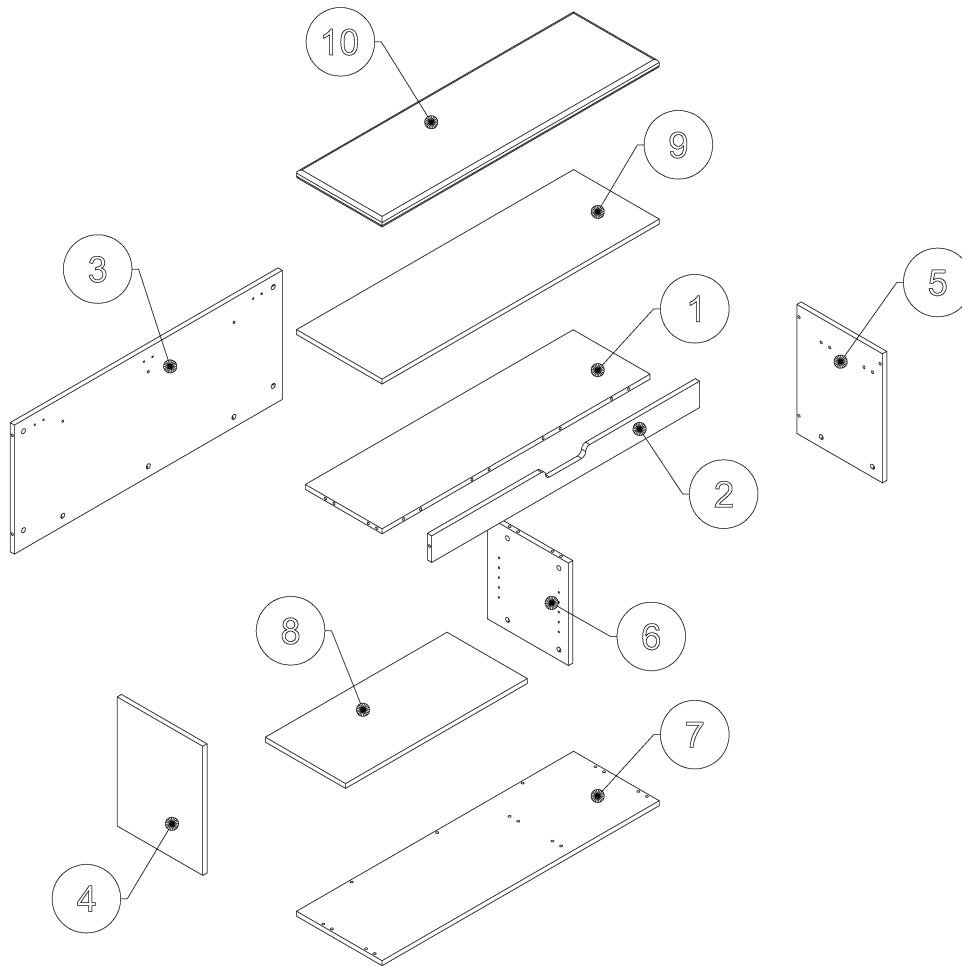


4mm



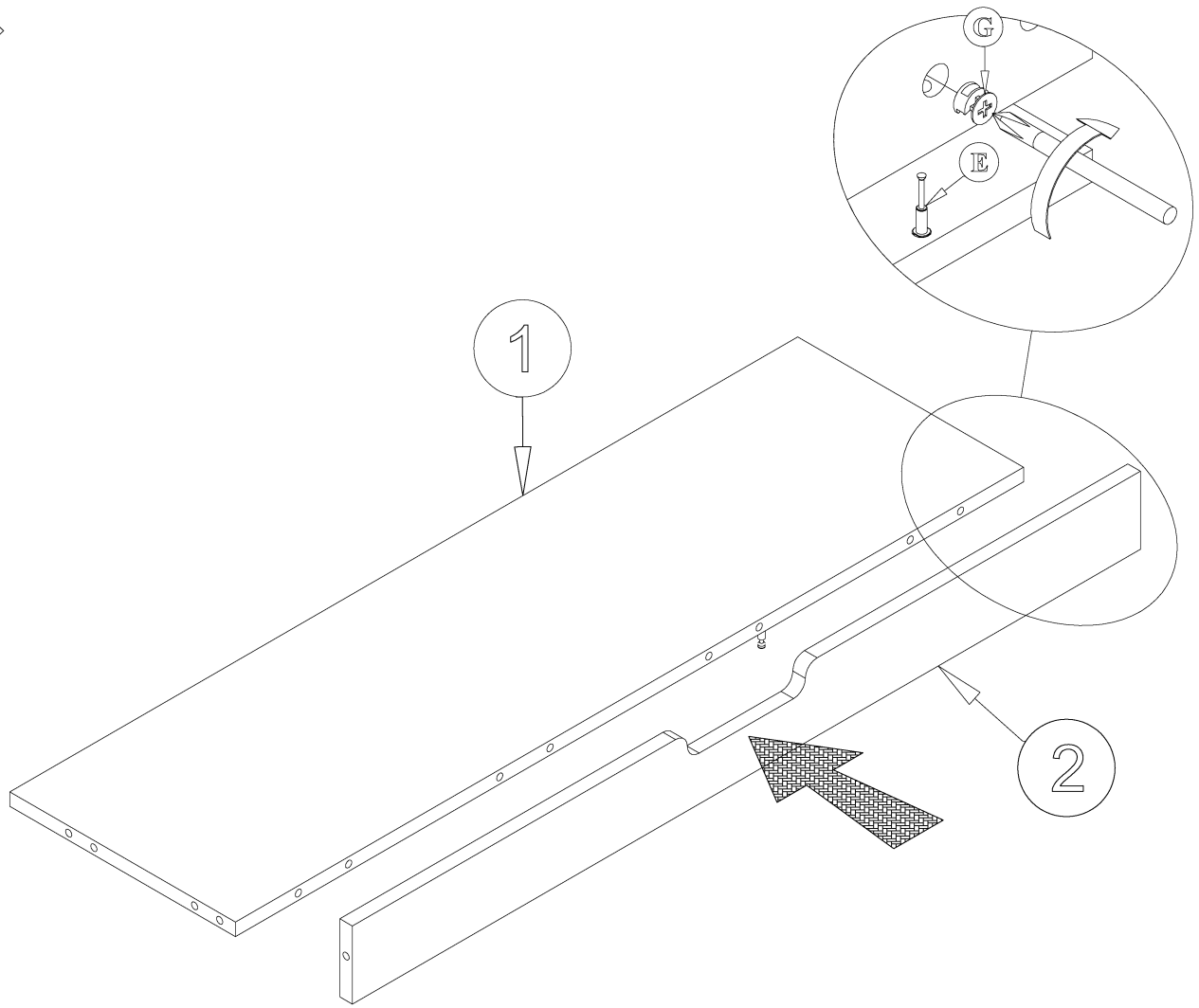
M x 3

3.5x25

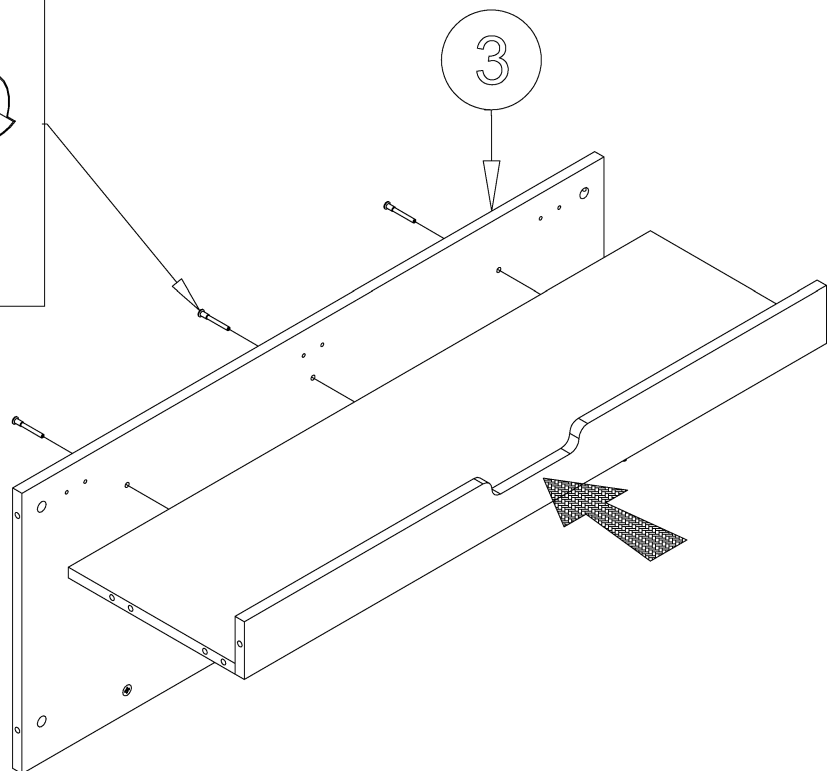
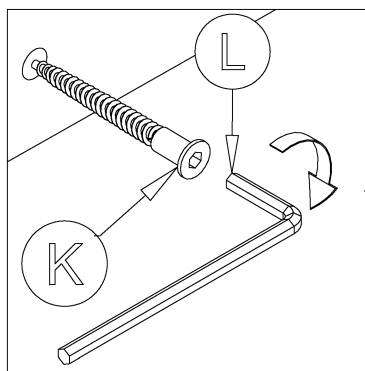


A	B	X	No
1002	418	1	3
1002	287	1	1
1036	320	1	7
1036	320	1	9
1002	86	1	2
418	320	1	4
418	320	1	5
332	303	1	6
680	300	1	8
1036	320	1	10

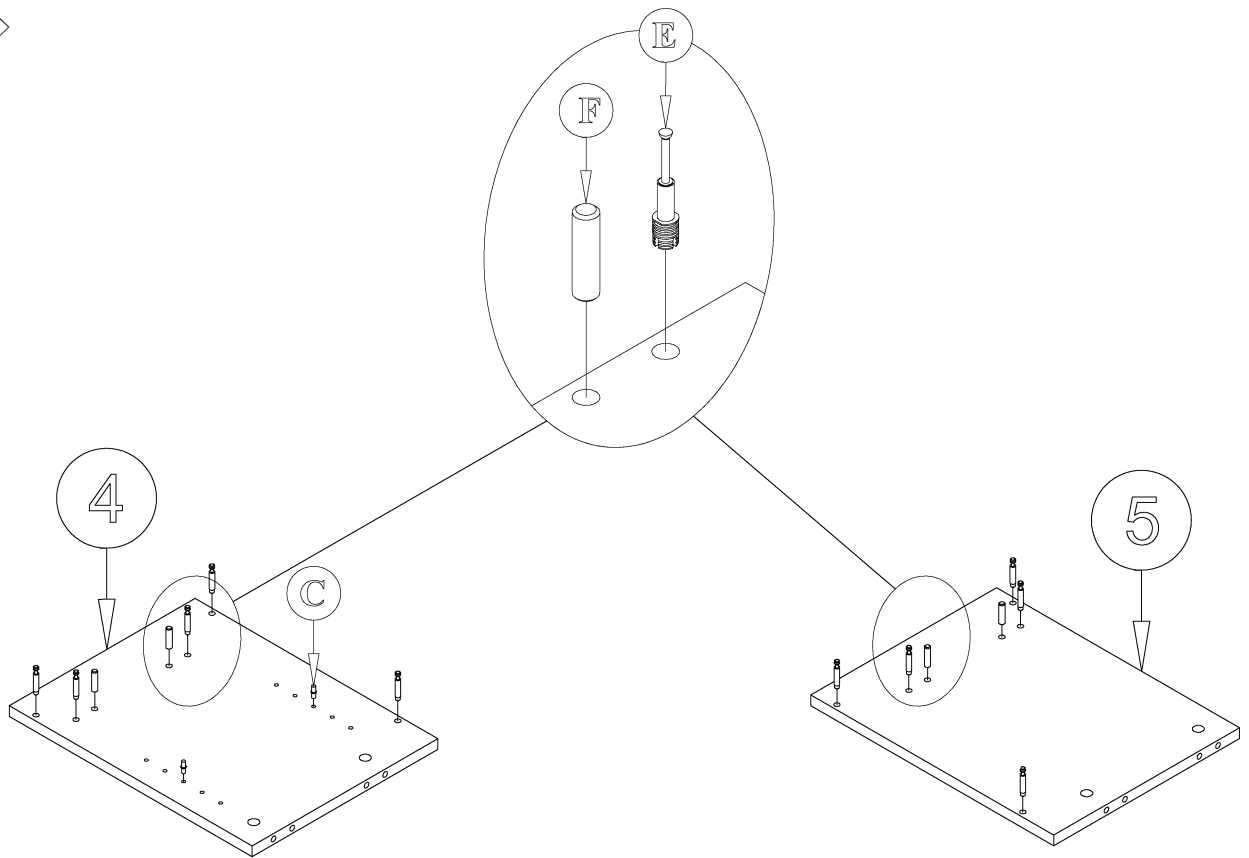
1



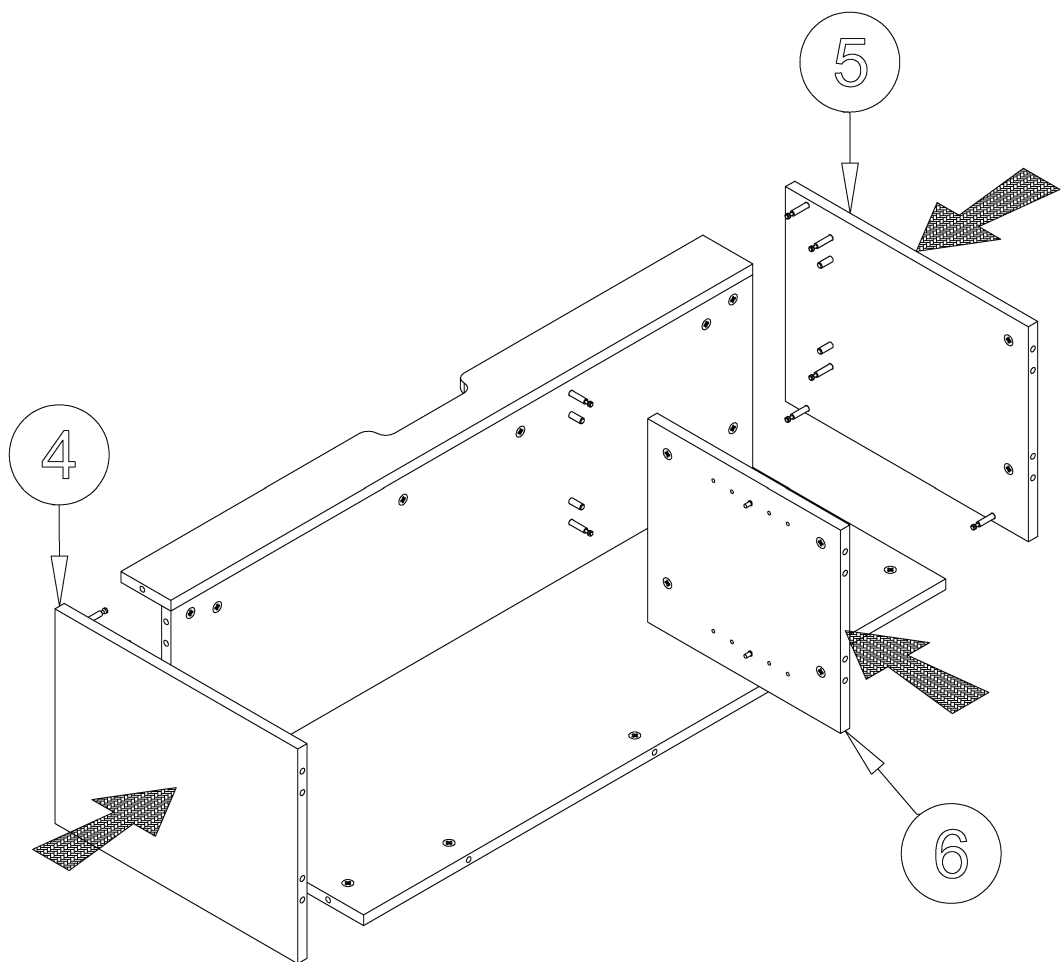
2



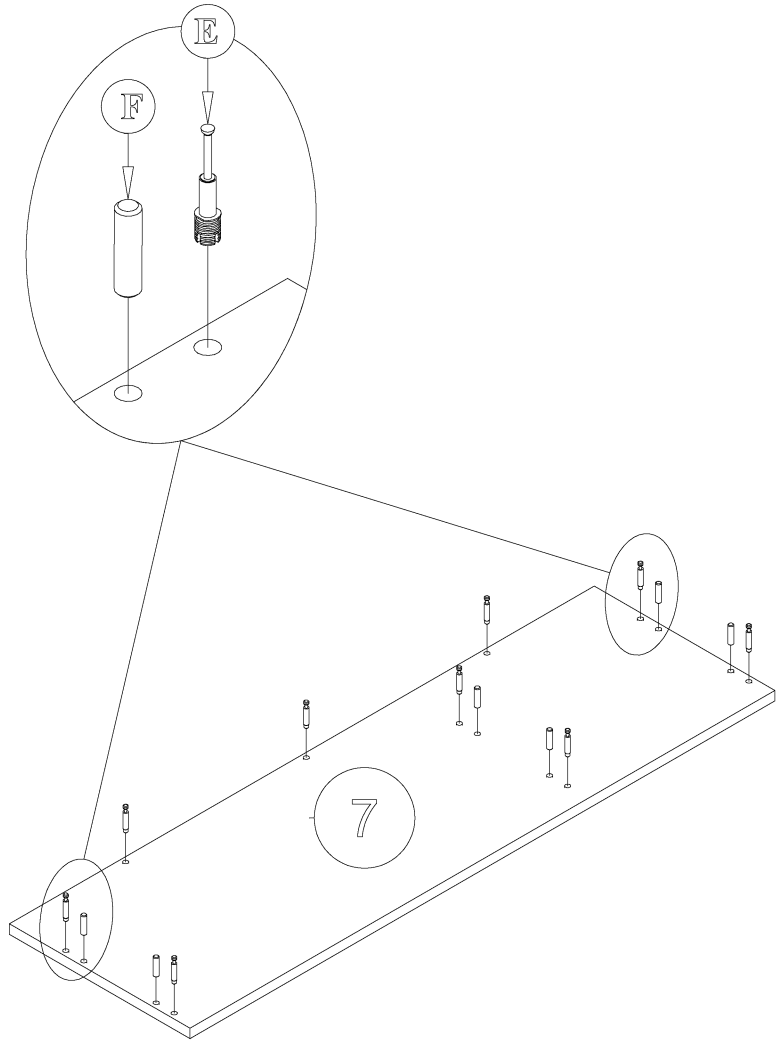
3



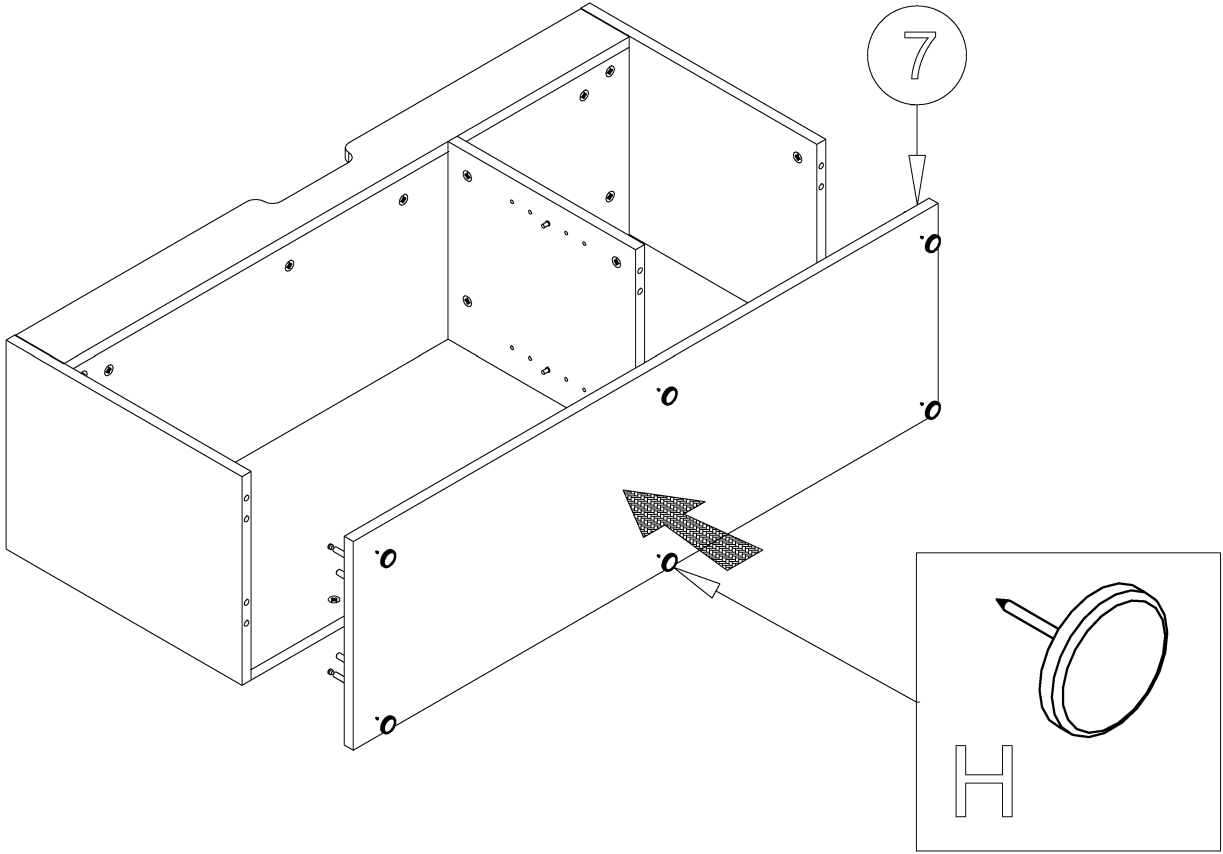
4



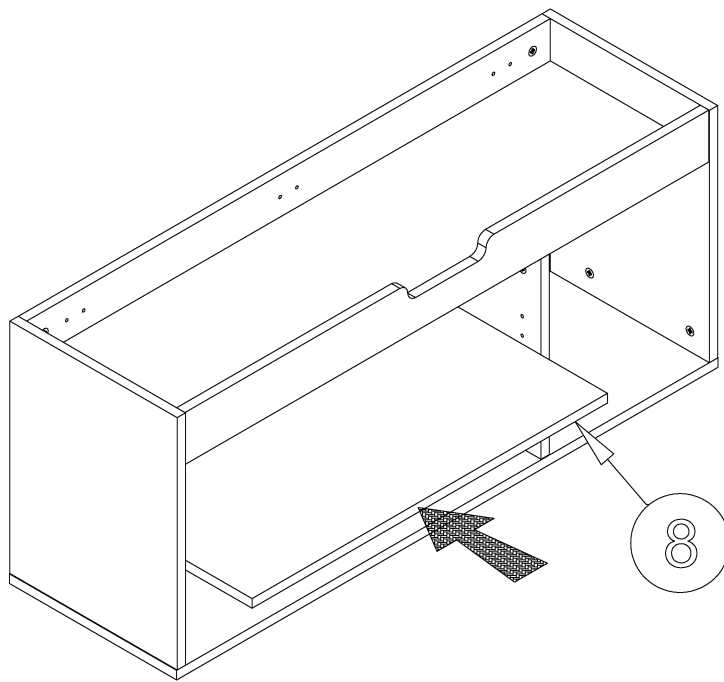
5



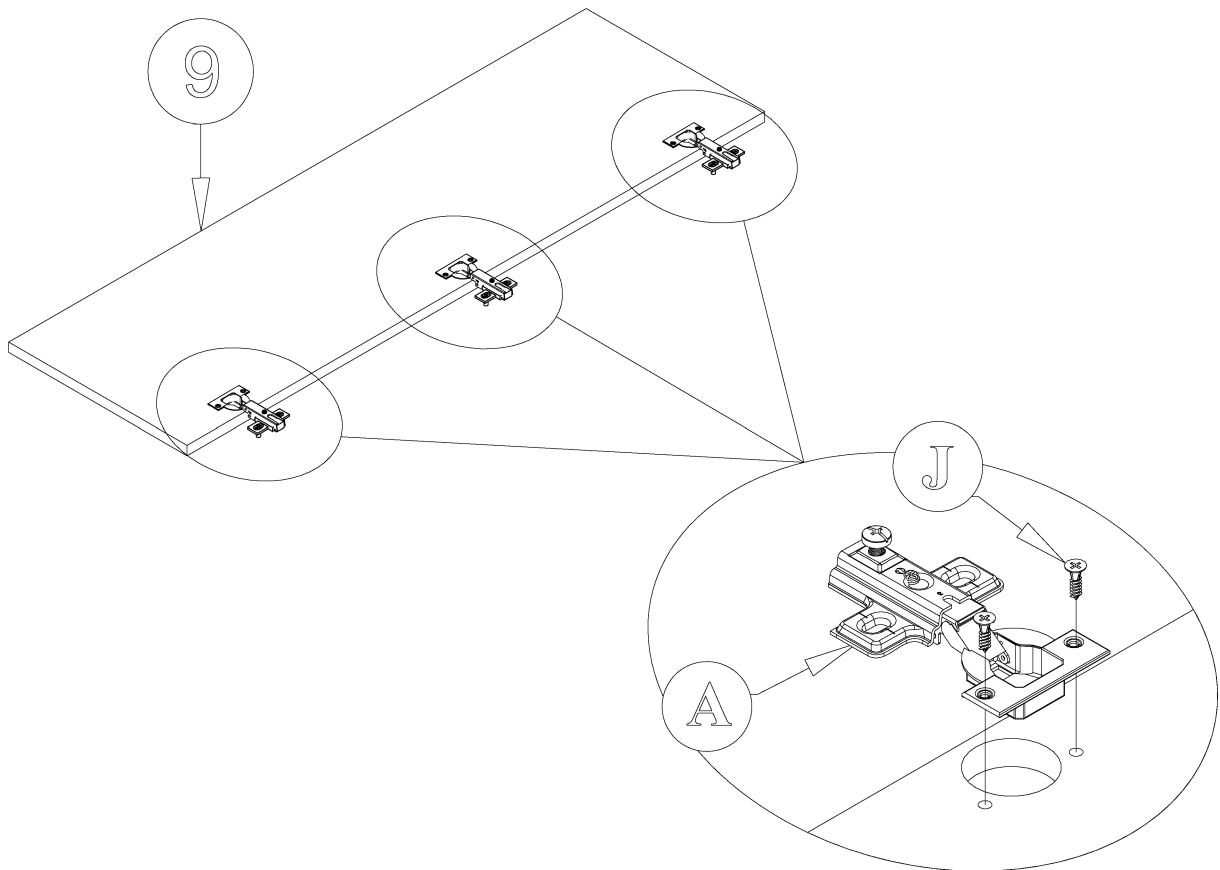
6

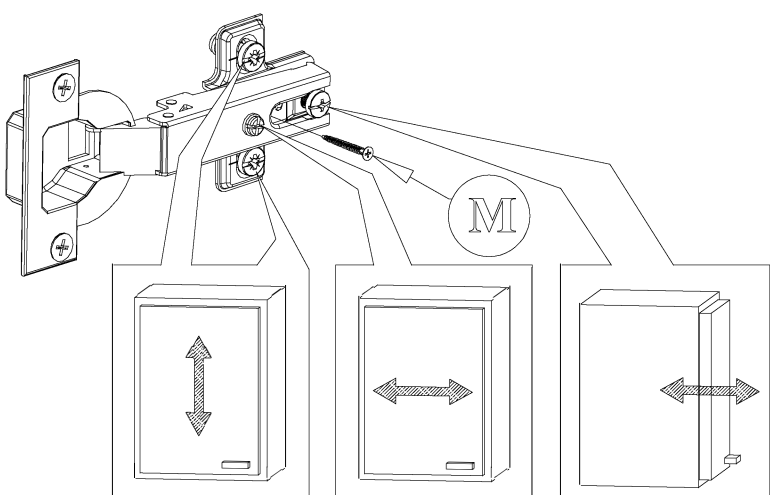
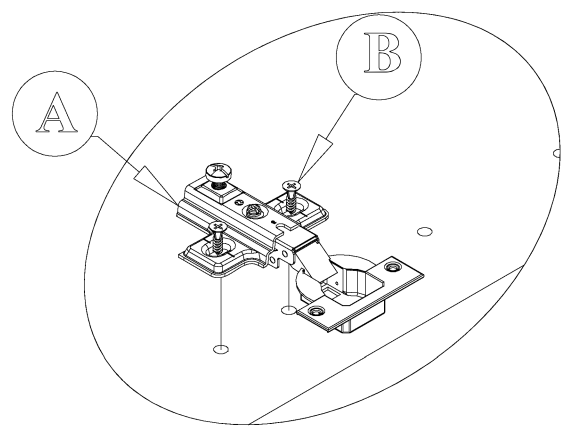
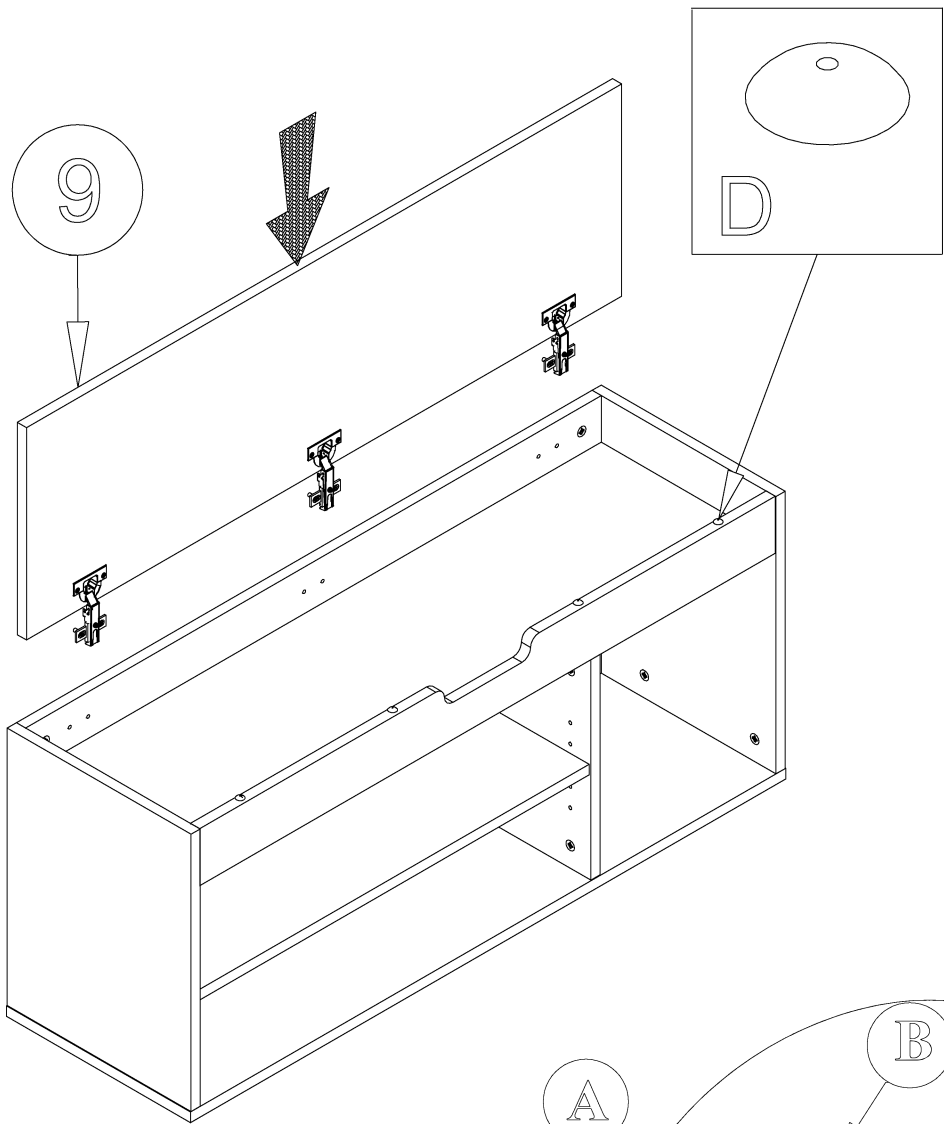


7



8





10

