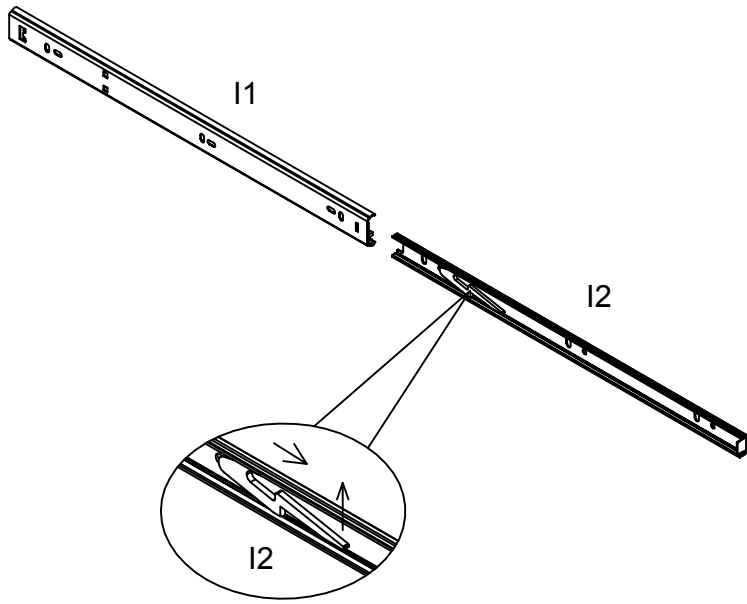
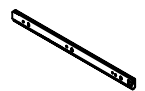


1



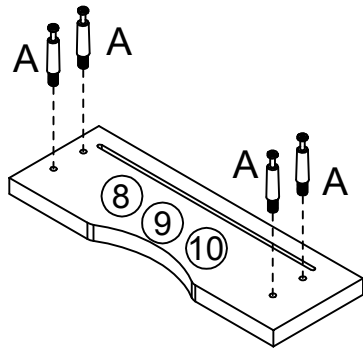
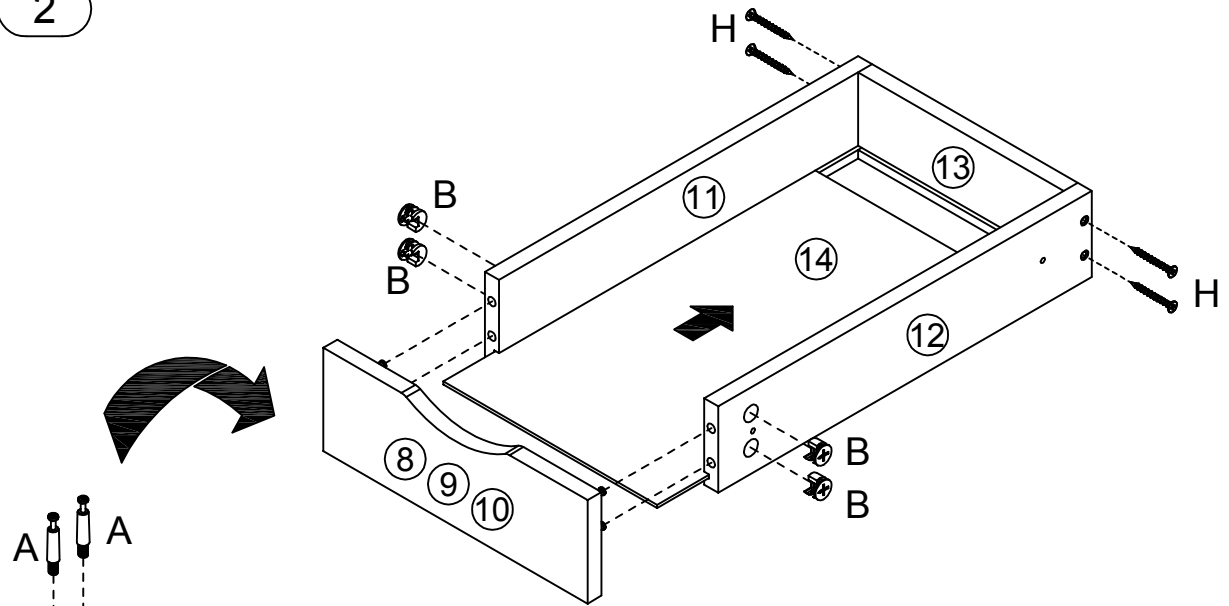
×6

L=380mm




1 × 6

2




M6×45mm




A × 12

Ø15×12mm



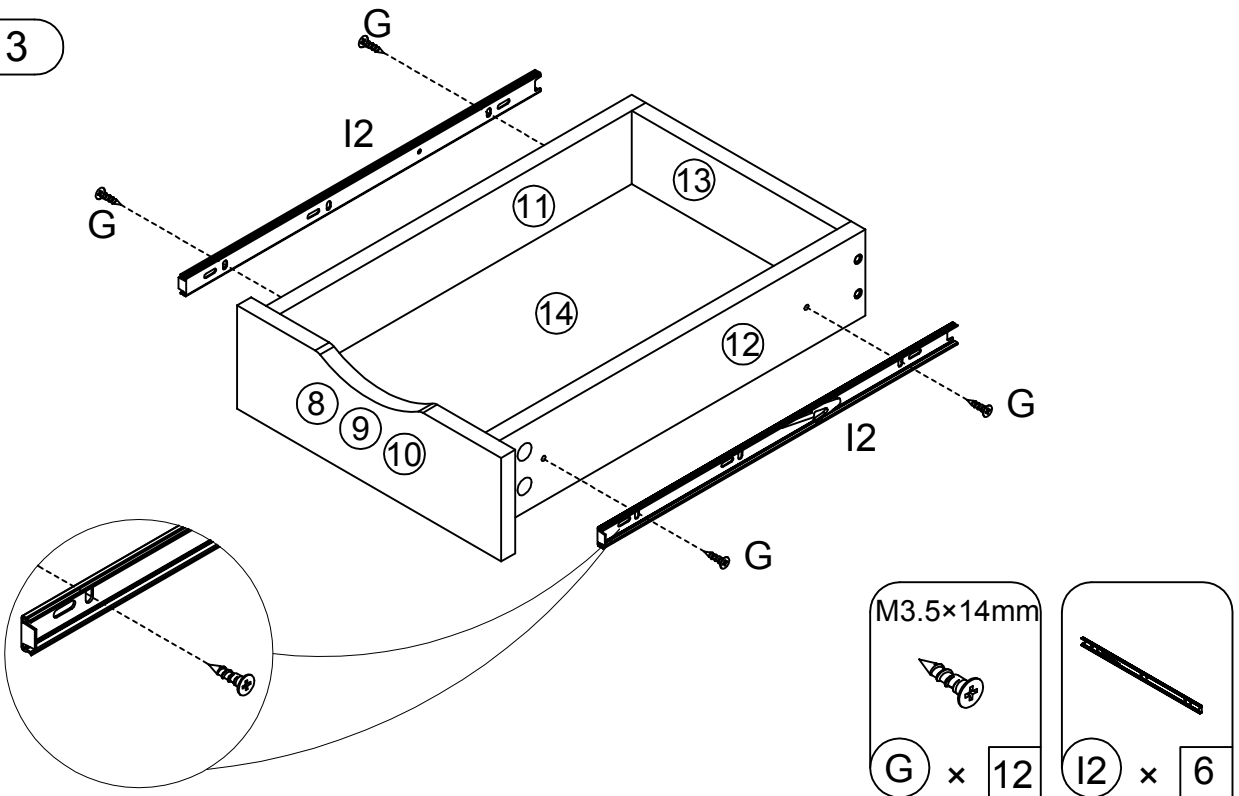
B × 12

M4×35mm

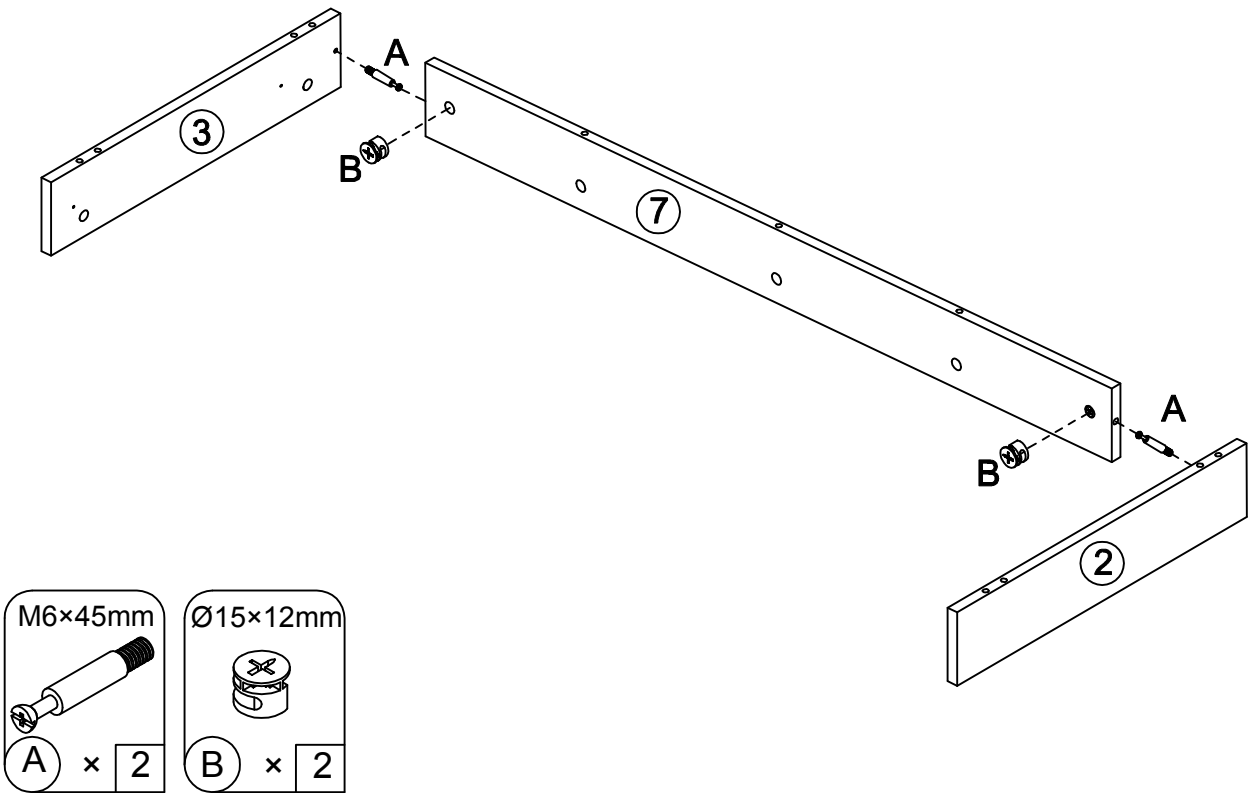


H × 12

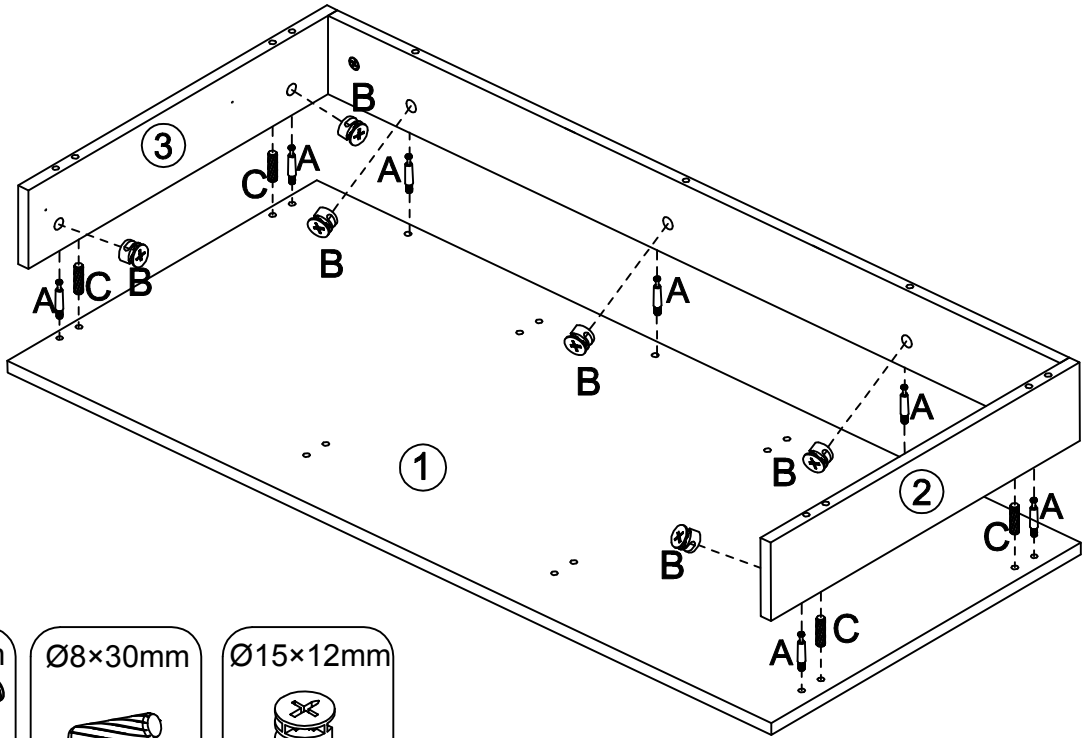
3



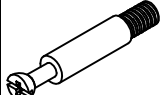
4



5

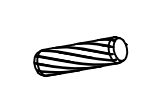


M6×45mm



A × 7

Ø8×30mm



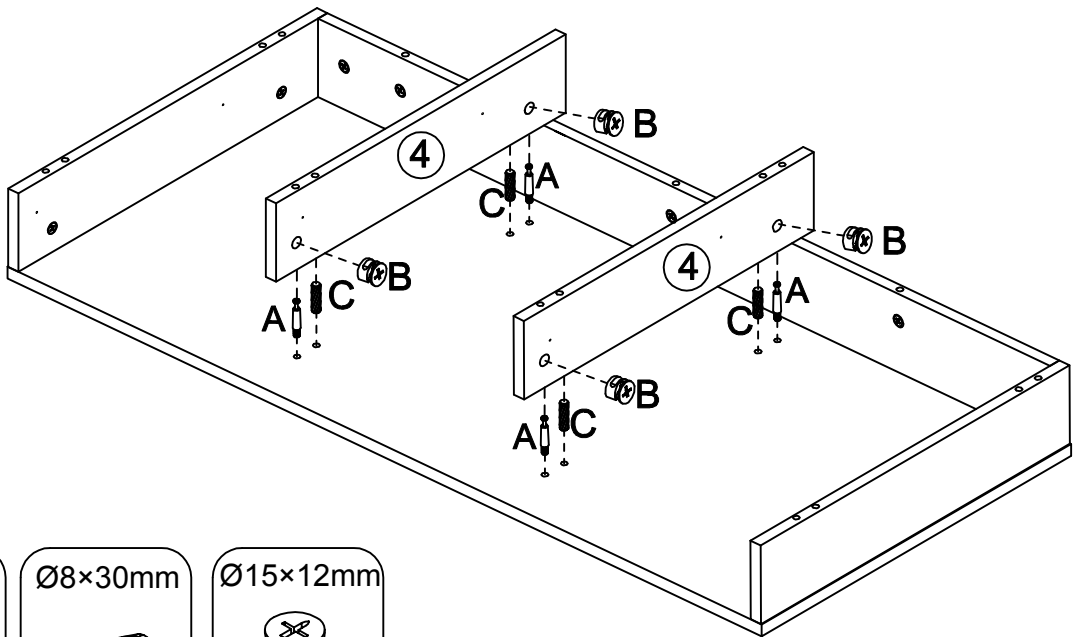
C × 4

Ø15×12mm

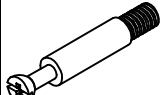


B × 7

6

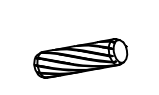


M6×45mm



A × 4

Ø8×30mm



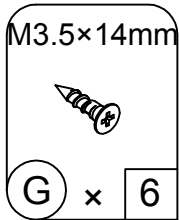
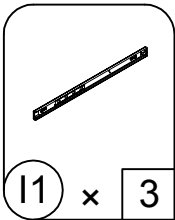
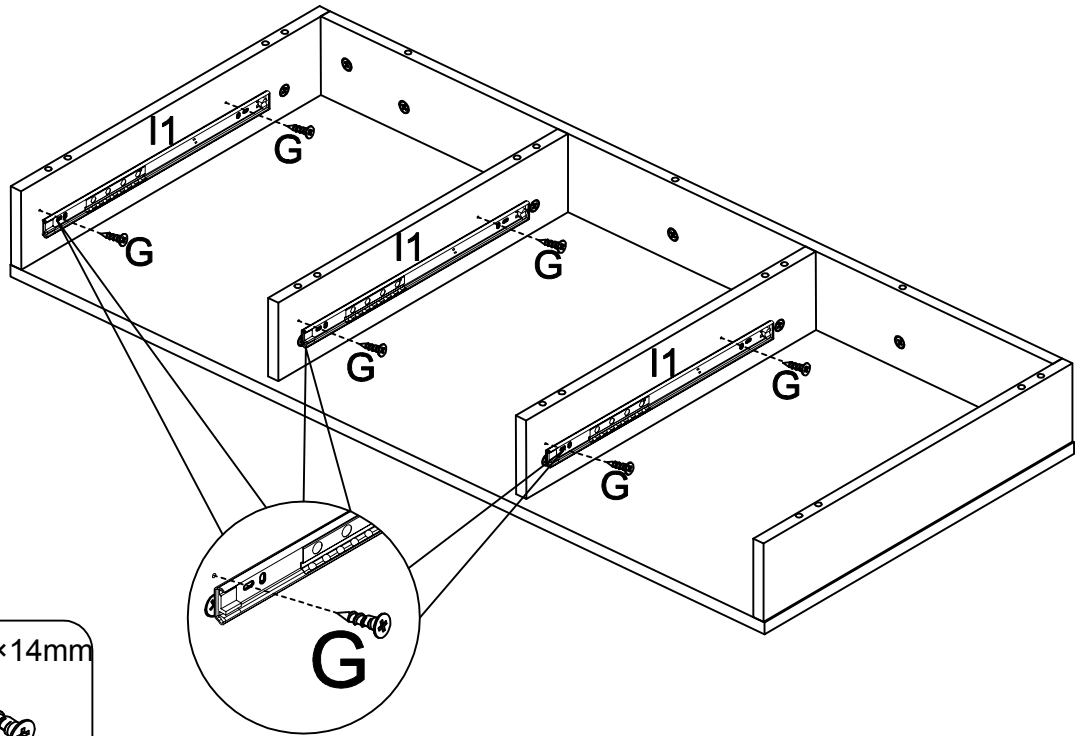
C × 4

Ø15×12mm

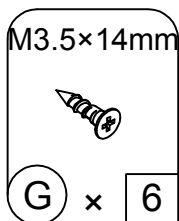
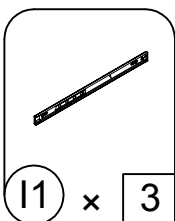
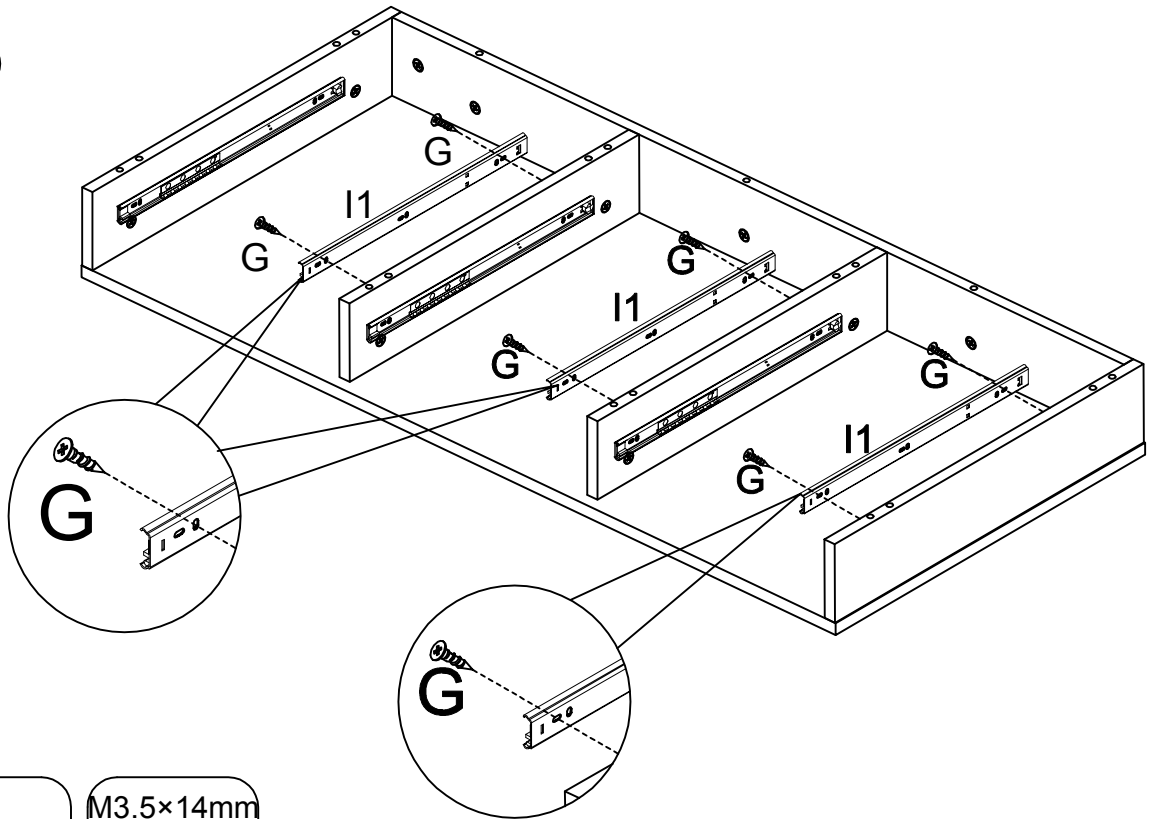


B × 4

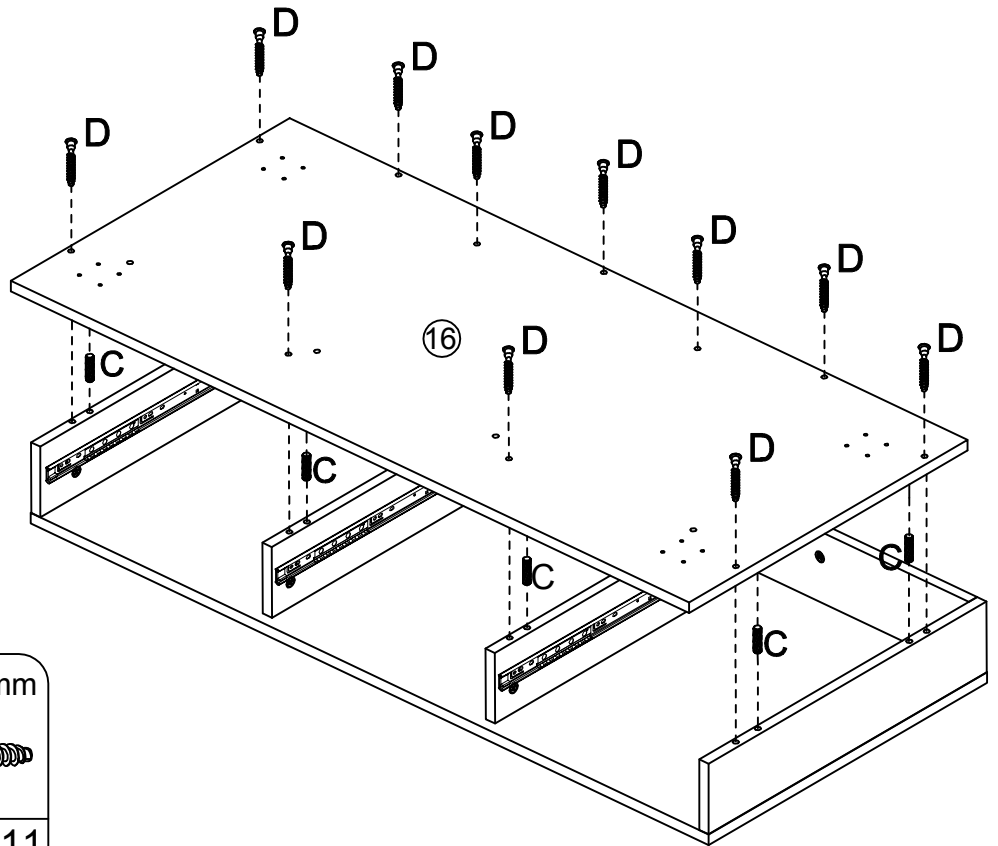
7



8



9



Ø8×30mm



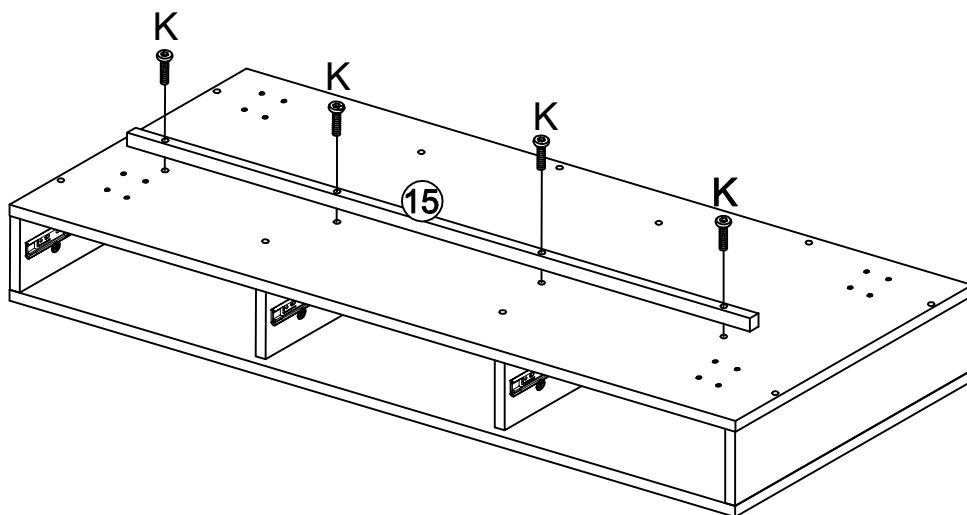
C x 8

M7×38mm



D x 11

10



M6×30mm



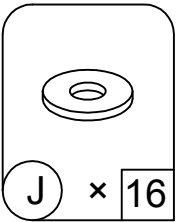
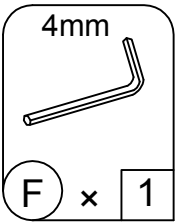
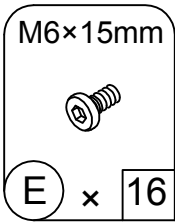
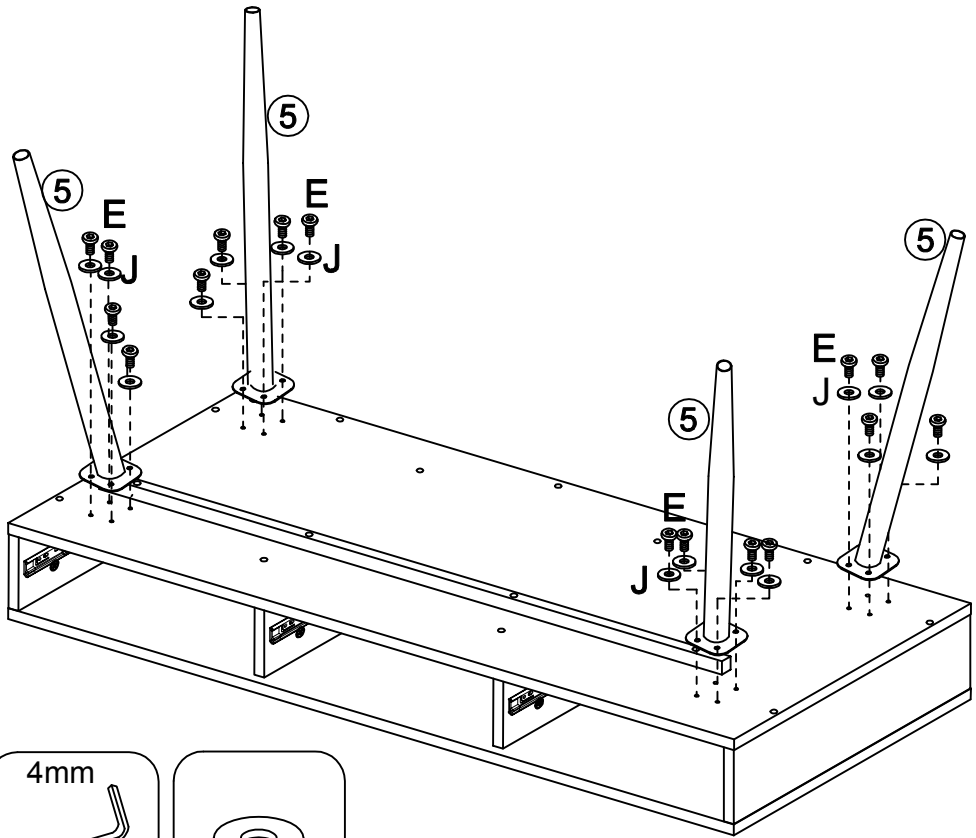
K x 4

4mm

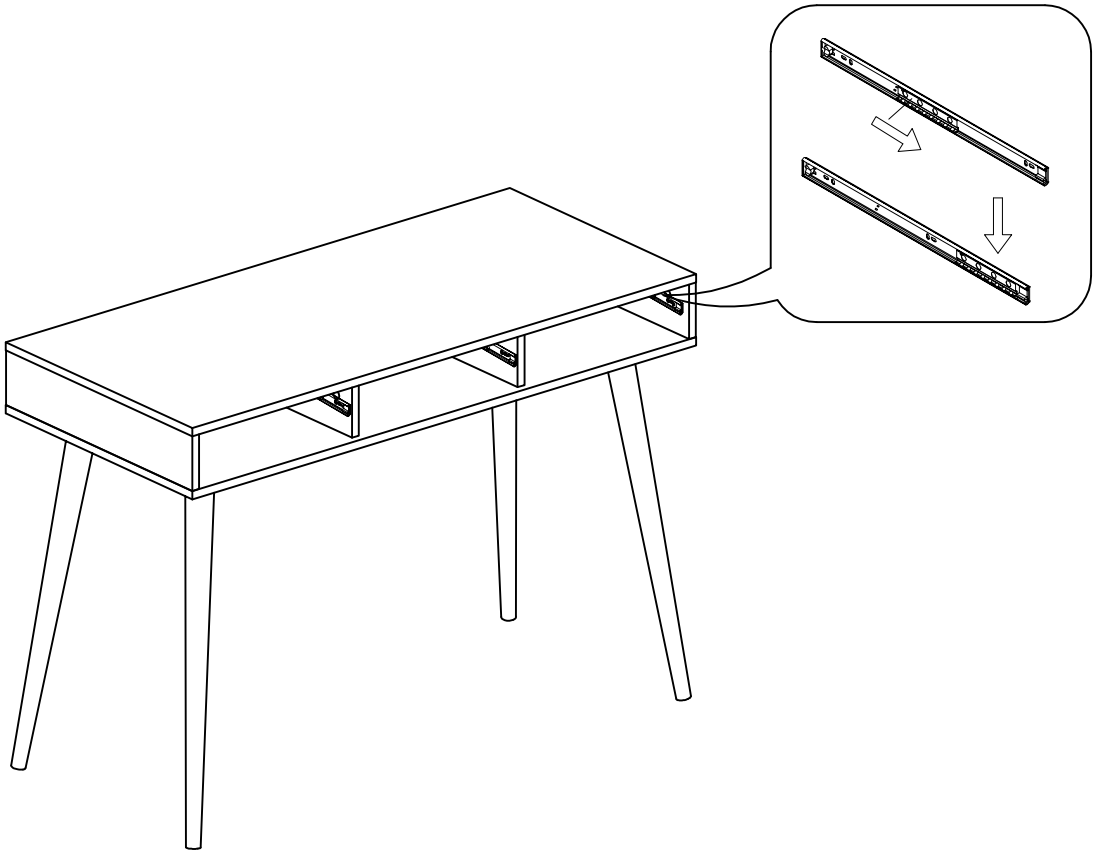


F x 1

11



12





13

