




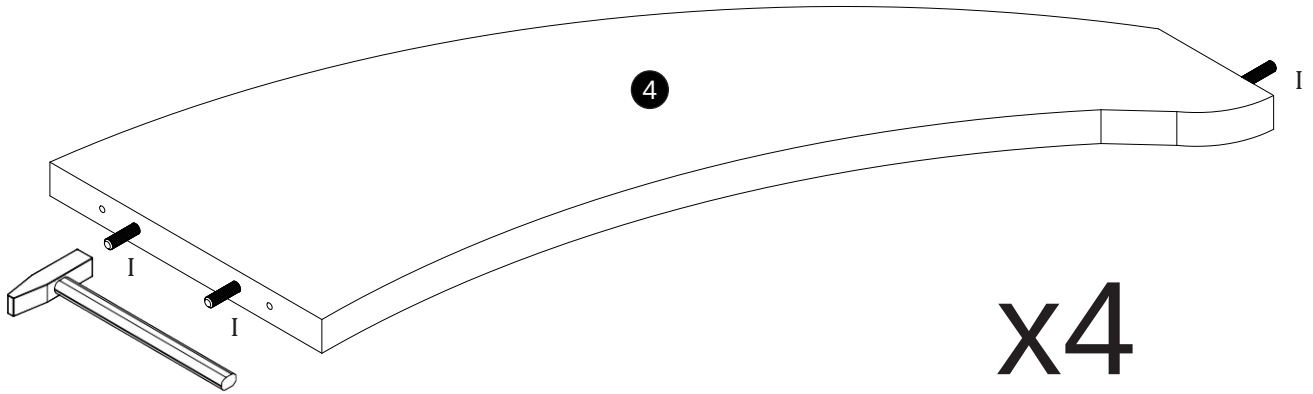
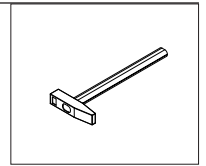
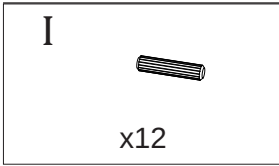
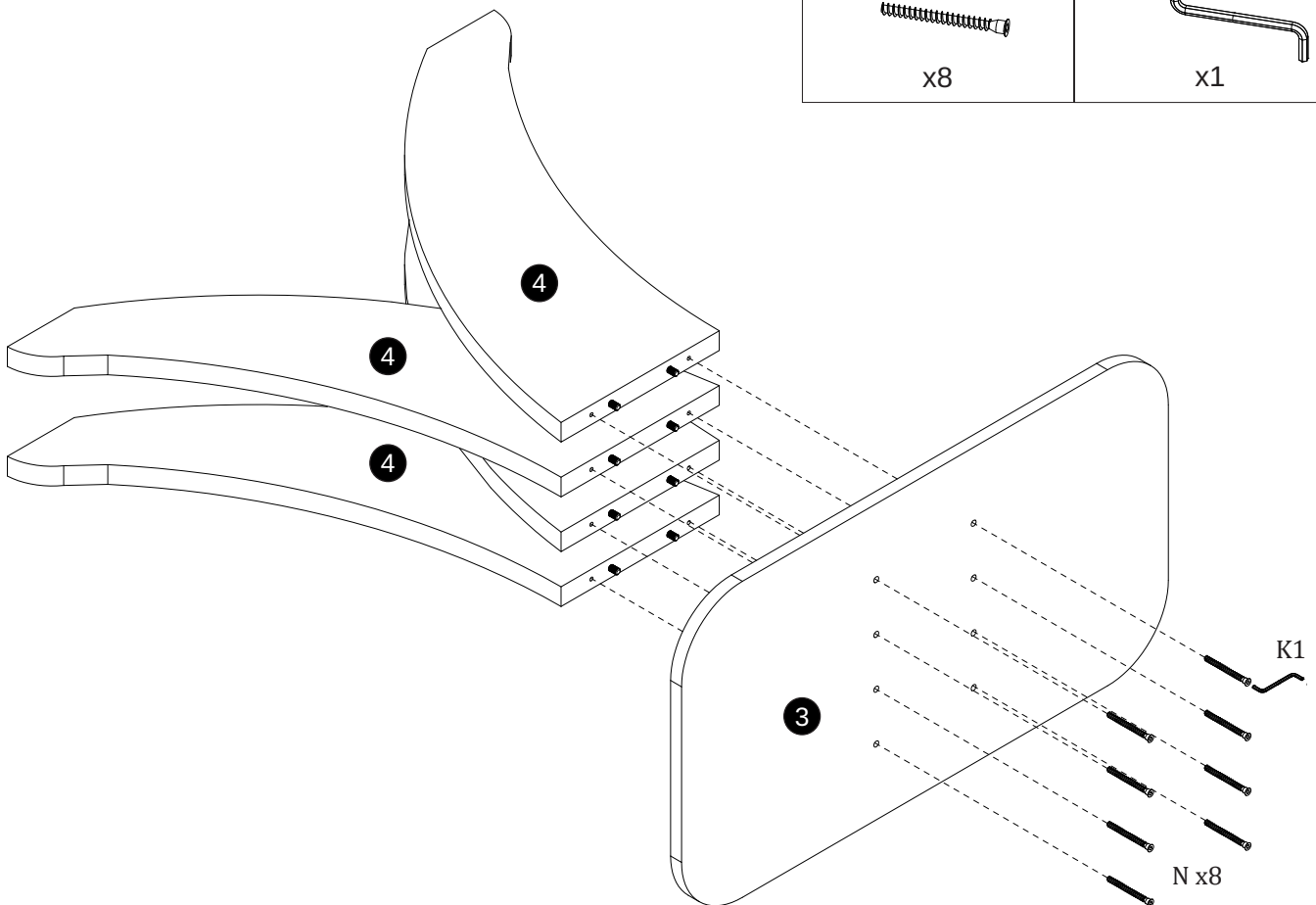
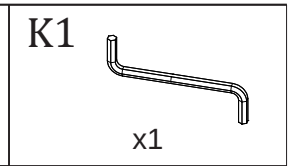
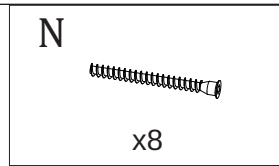


<p>I</p>  <p>Ø8x35mm x16</p>	<p>N</p>  <p>7x70mm x12</p>	<p>K1</p>  <p>x1</p>	<p>J</p>  <p>x6</p>	<p>O</p>  <p>7x50mm x8</p>
---	--	---	--	---

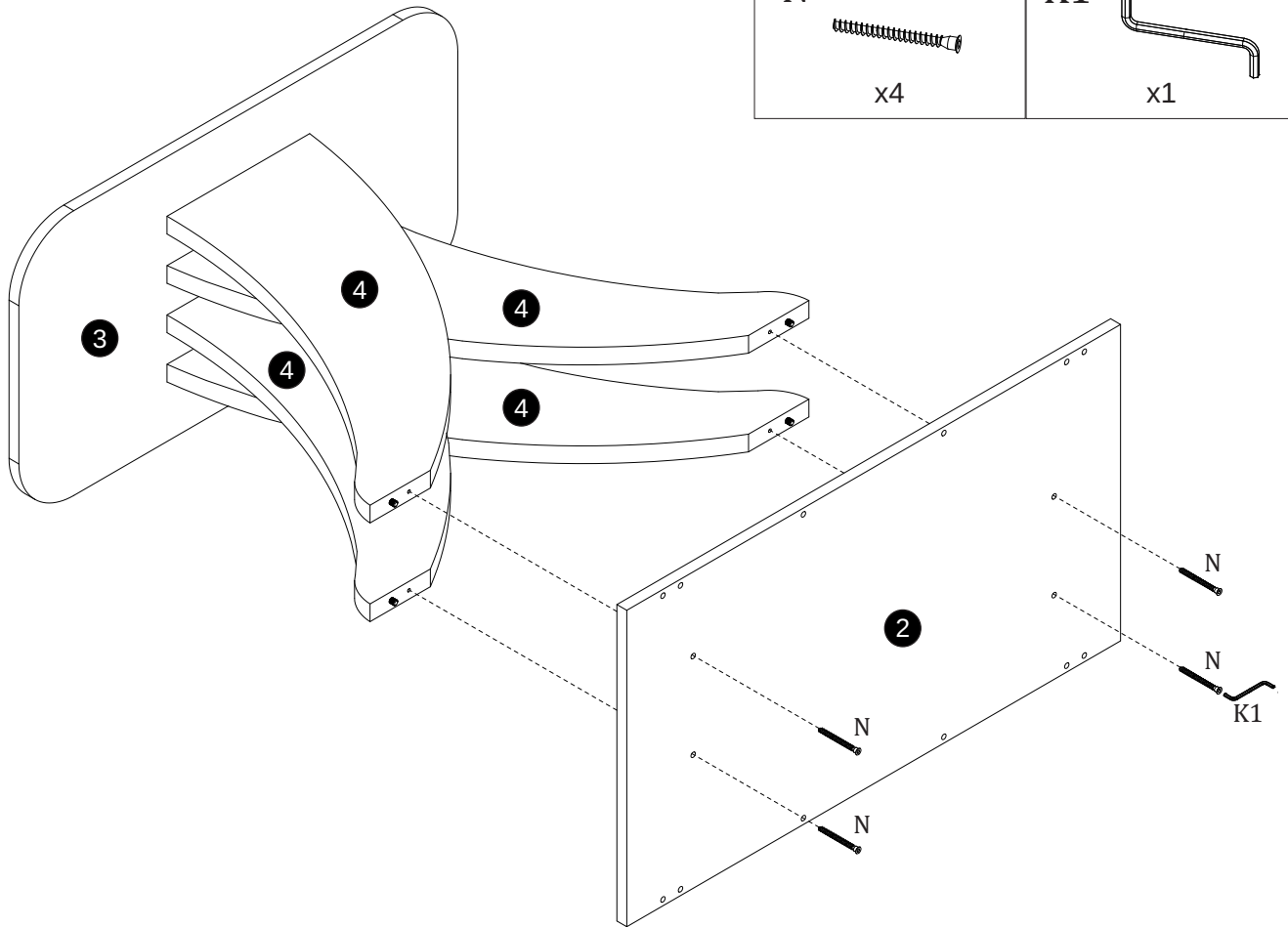
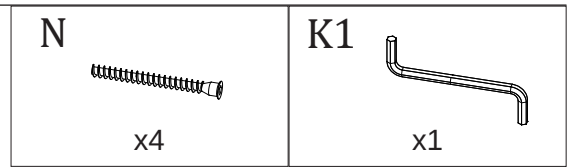
1



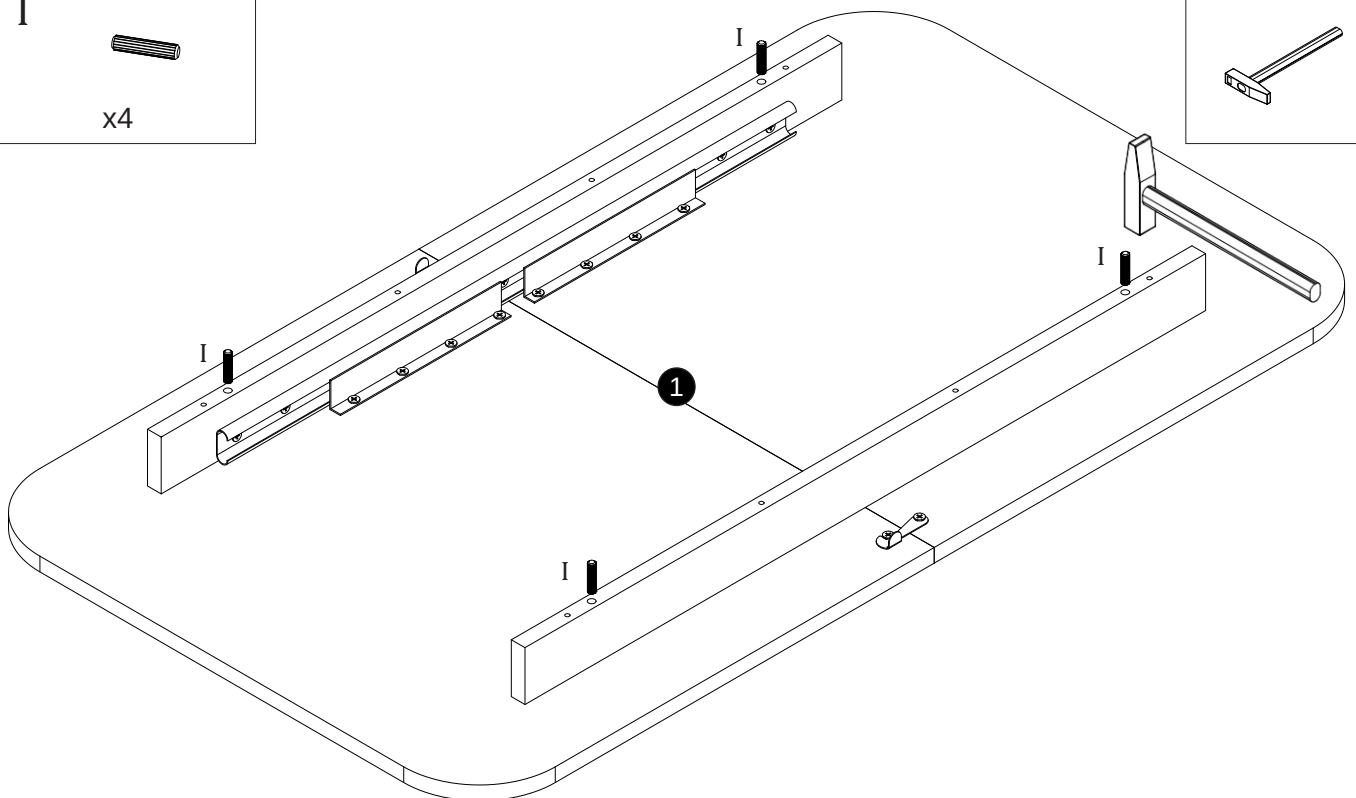
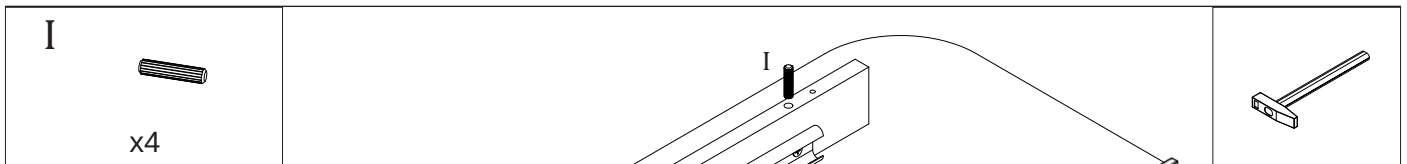
2



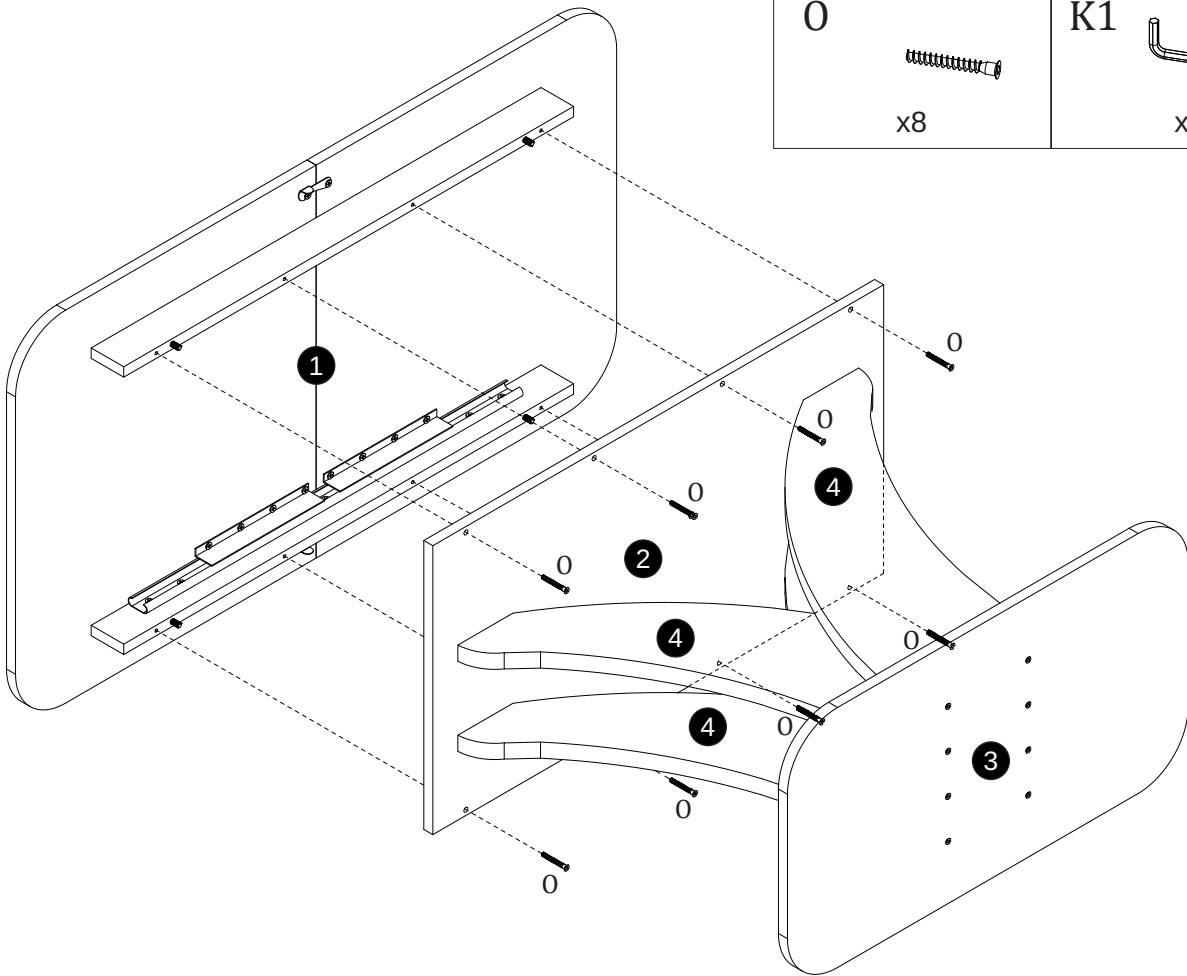
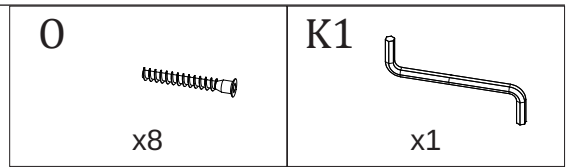
3



4



5



6

