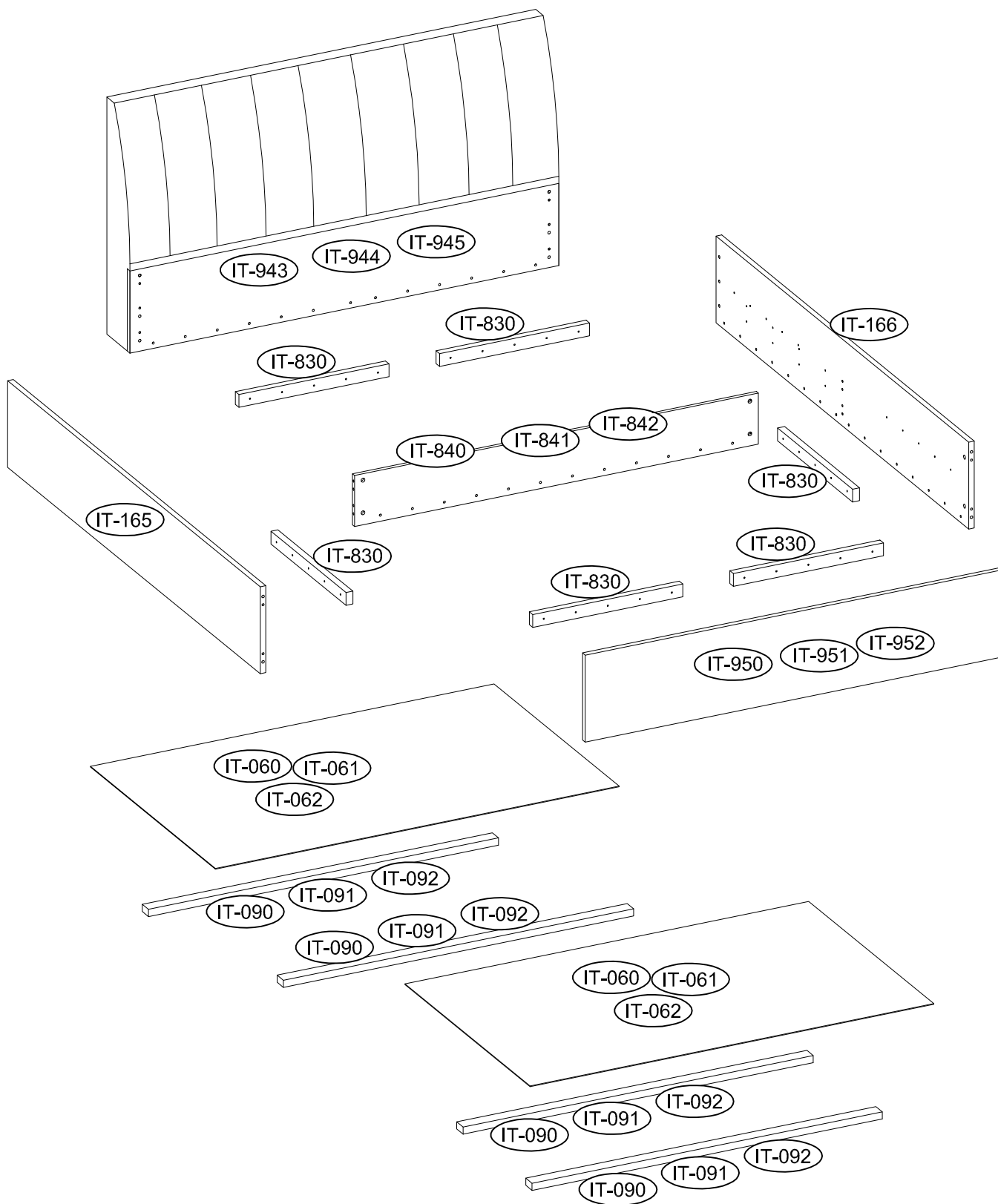


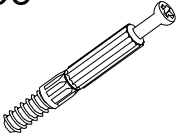
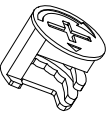
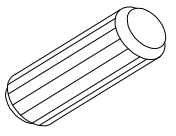
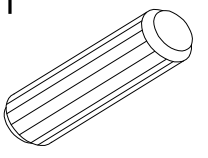
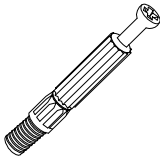
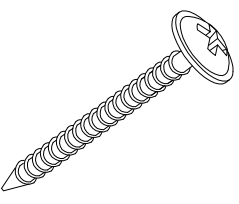
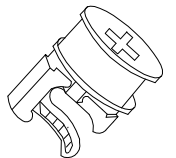
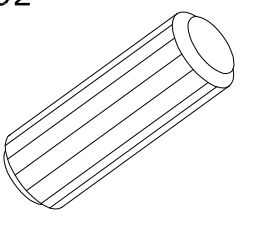
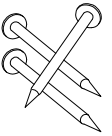
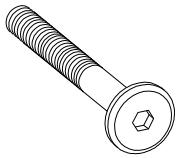
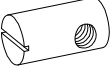
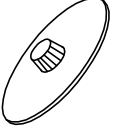
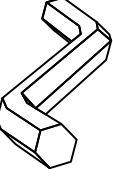
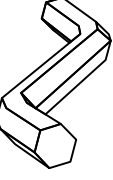
30/80 L-1520 mm

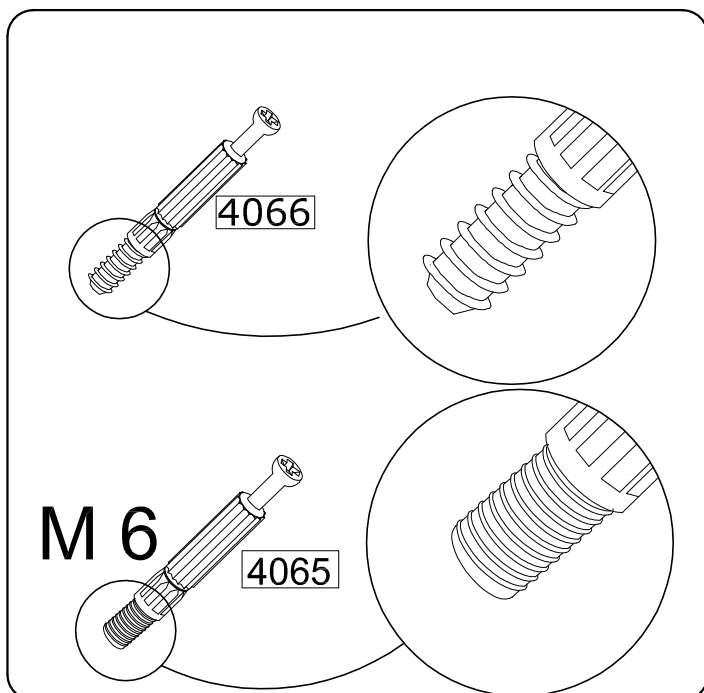
31/81 L-1720 mm

32/82 L-1920 mm

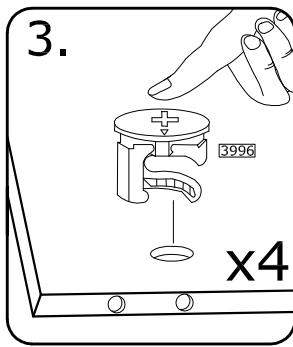
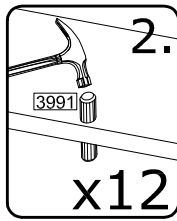
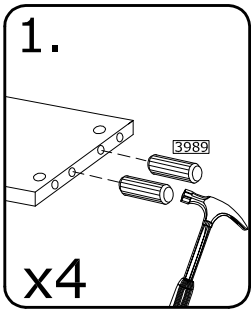
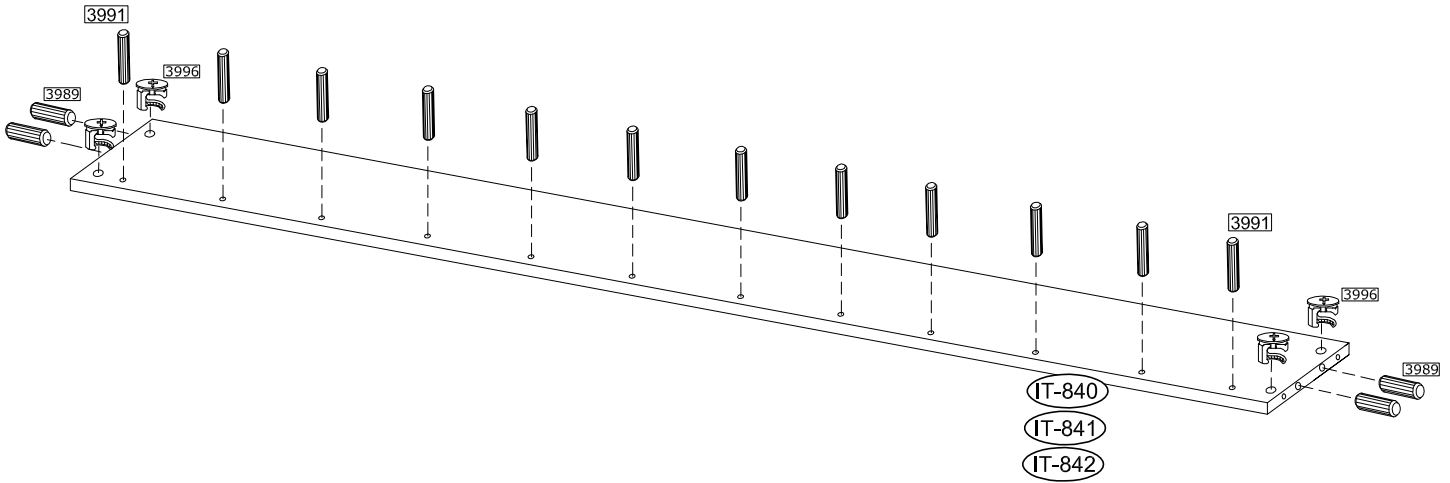


-30/80 1520/2230	IT-943 IT-840 IT-950 IT-060 IT-090 IT-960
-31/81 1720/2230	IT-944 IT-841 IT-951 IT-061 IT-091 IT-961
-32/82 1920/2230	IT-945 IT-842 IT-952 IT-062 IT-092 IT-962

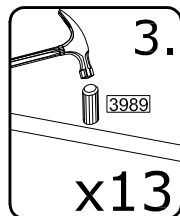
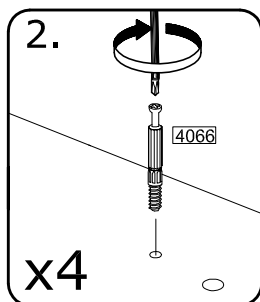
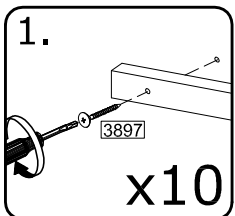
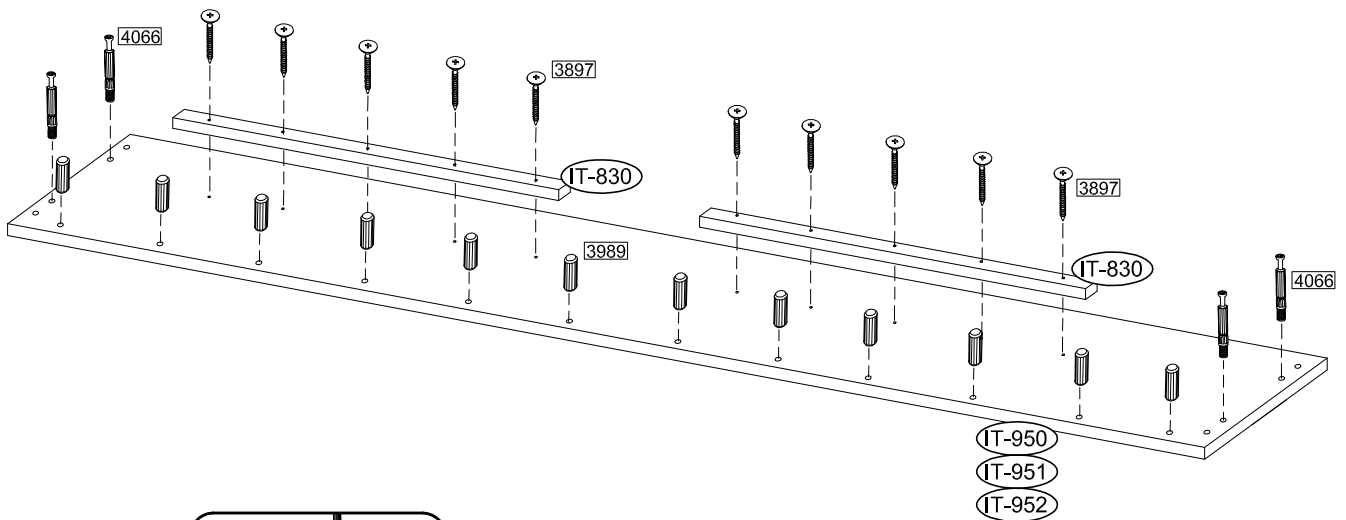
<p>4066</p>  <p>Ø6,5x36,5 mm x4</p>	<p>3996</p>  <p>Ø15x12mm x4</p>	<p>3989</p>  <p>Ø8x30mm x49</p>	<p>3991</p>  <p>Ø8x50mm x12</p>
<p>4065</p>  <p>M6x36,5 mm x4</p>	<p>3897</p>  <p>Ø4,0x45 mm x40</p>	<p>3997</p>  <p>Ø15x17mm x4</p>	<p>3992</p>  <p>Ø10x35mm x8</p>
<p>3975</p>  <p>1.2x20 mm x70</p>	<p>146787</p>  <p>M4,0x8,0 mm x4</p>	<p>3938</p>  <p>M6,0x16,0 mm x4</p>	<p>136236</p>  <p>Ø20 x8</p>
<p>IN01180</p>  <p>5,0 mm x1</p>	<p>3984</p>  <p>4,0 mm x1</p>		



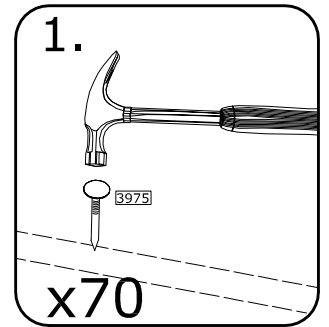
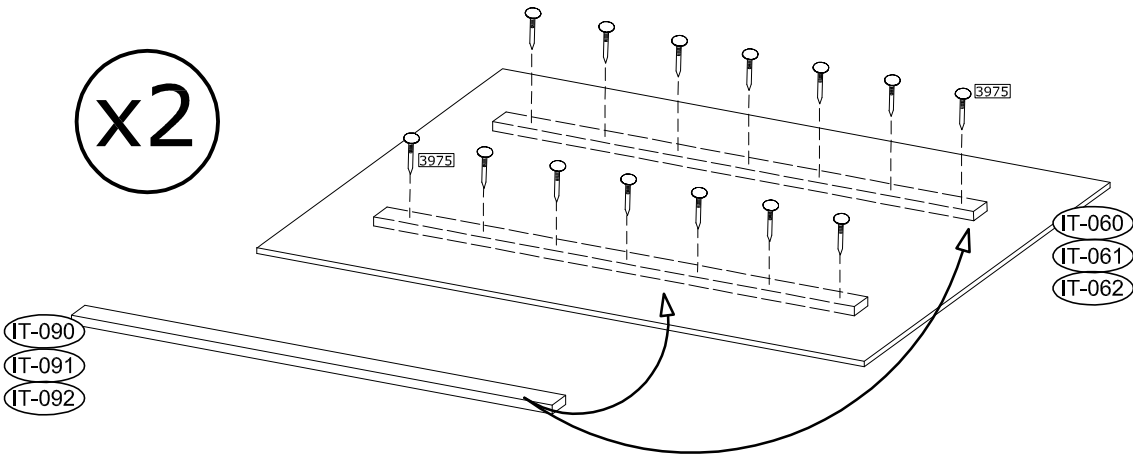
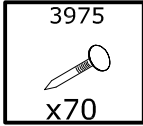
1



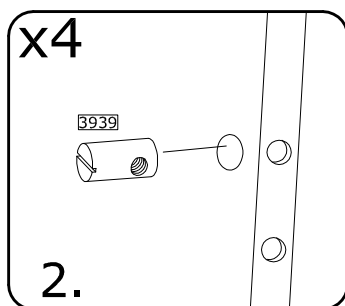
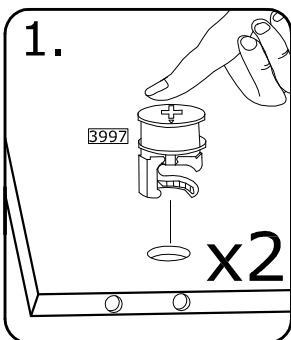
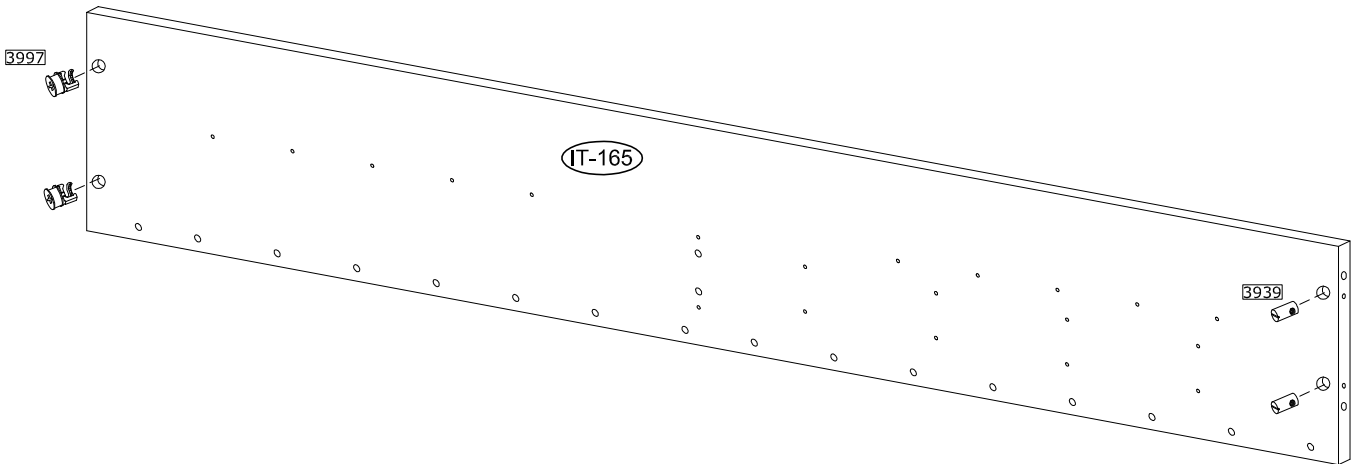
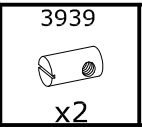
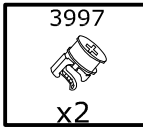
2



3

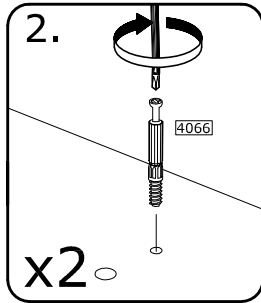
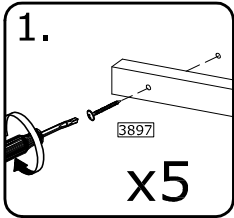
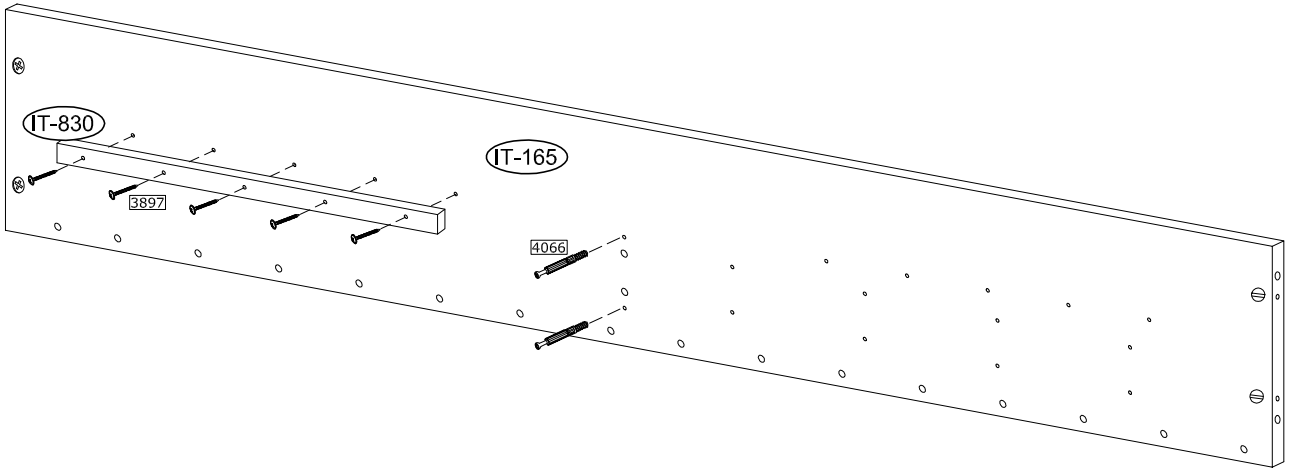


4



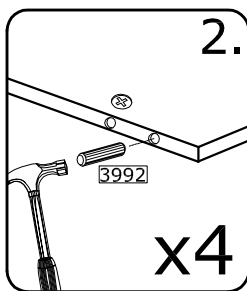
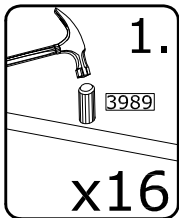
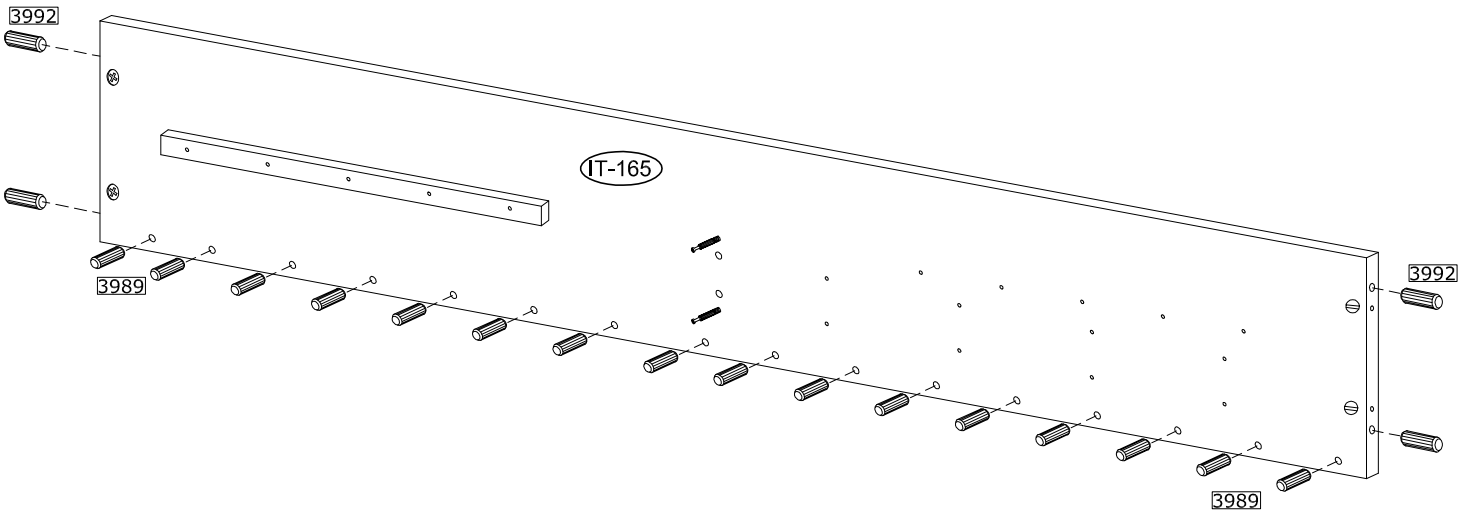
5

3897  x5	4066  x2		 ⊕PH2
--	--	--	--



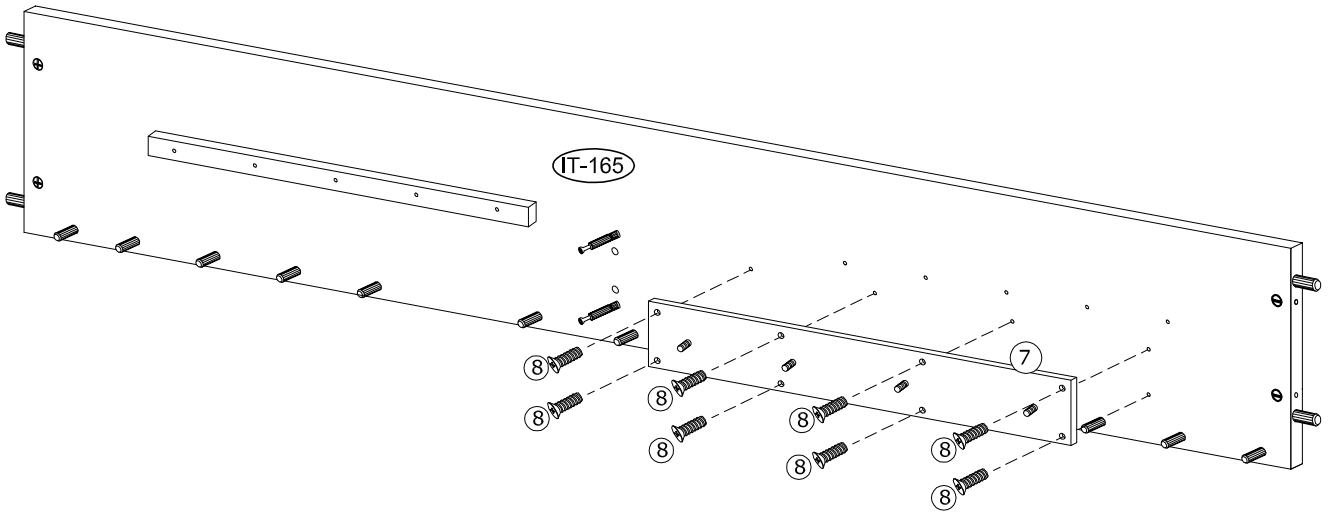
6

3989  x16	3992  x4		
--	---	--	---

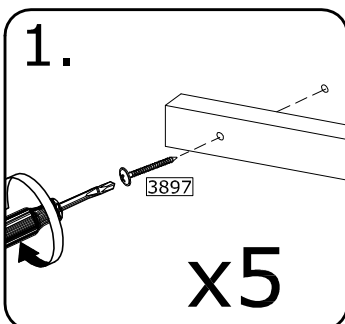
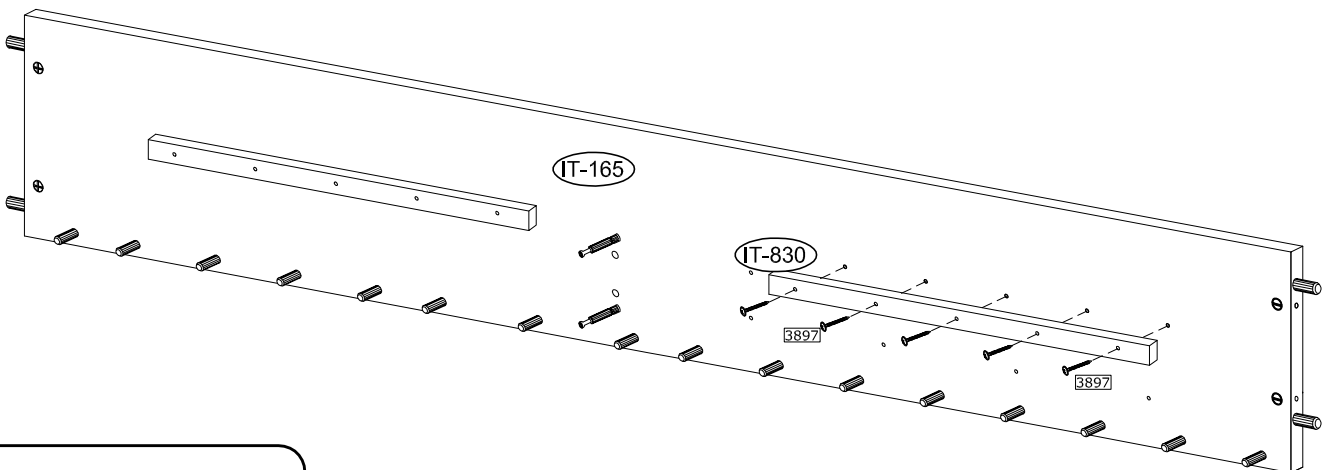


7

 ⑧ x8	 ⑦ x1kpl		 ⊕ PH2
--	---	--	---

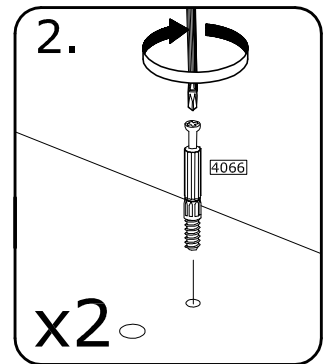
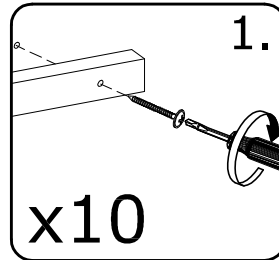
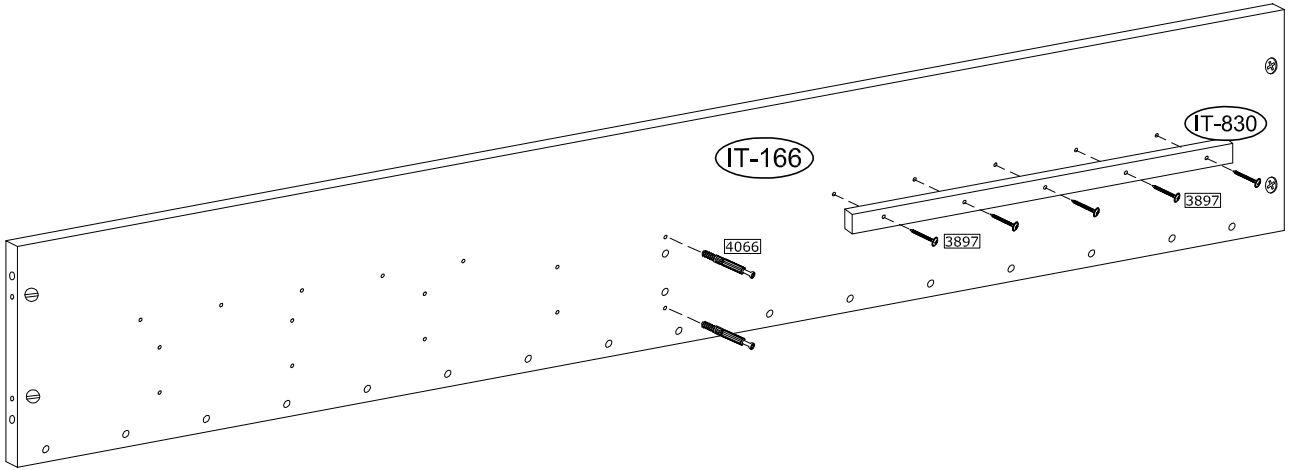


 3897 x5		 ⊕ PH2
---	--	--



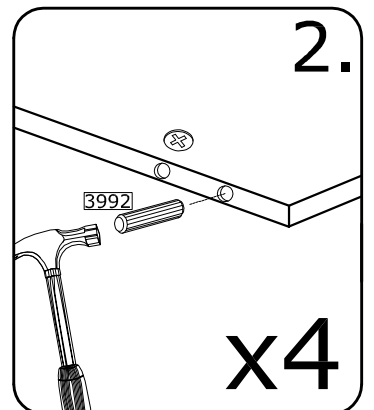
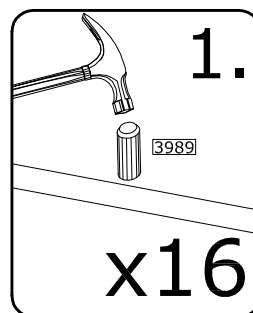
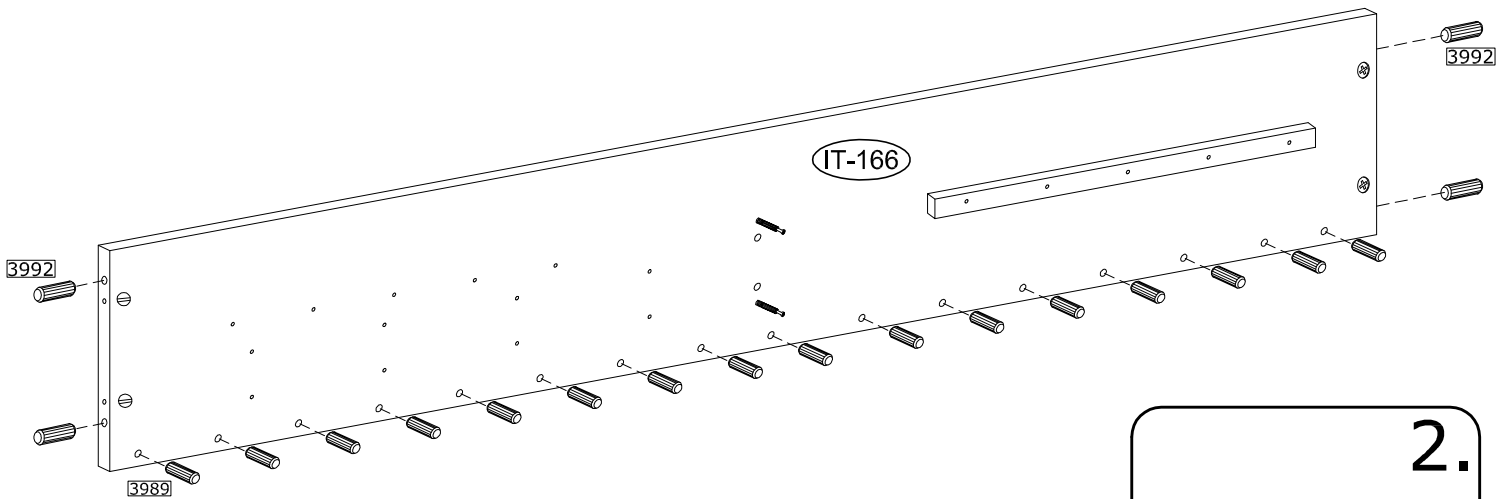
8

3897  x10	4066  x2		 ⊕ PH2
---	--	--	---

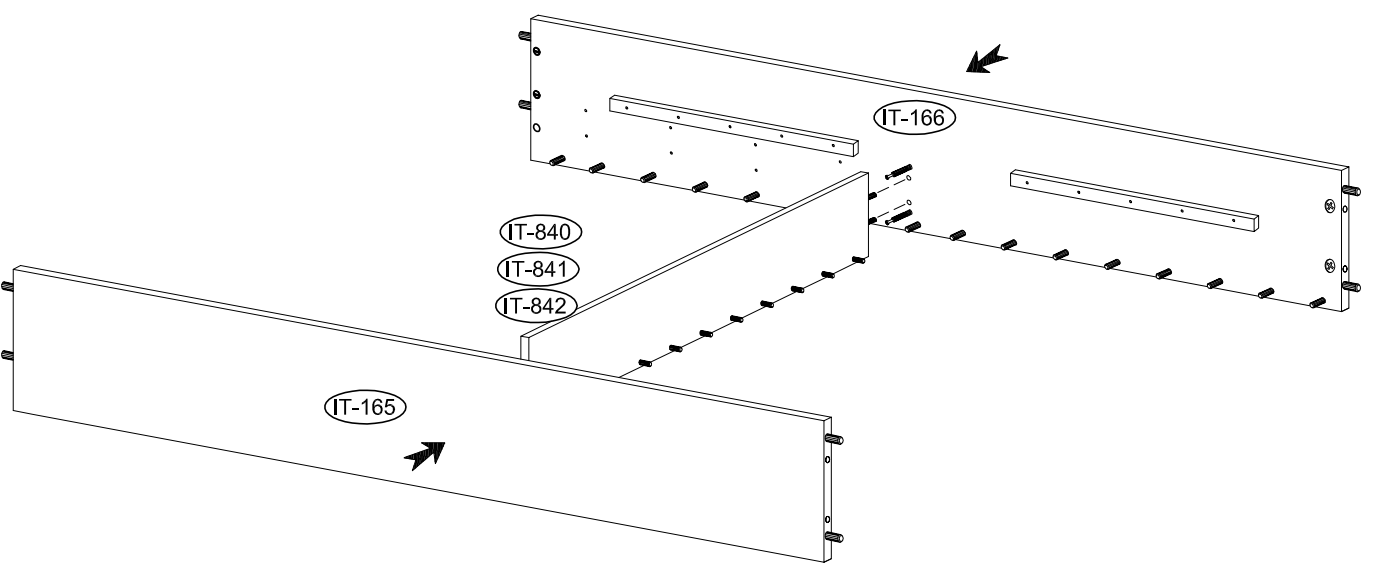
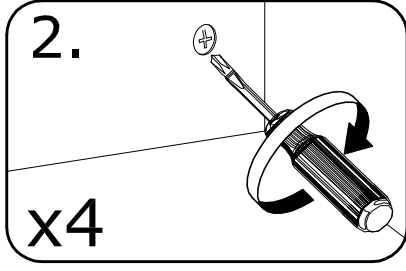
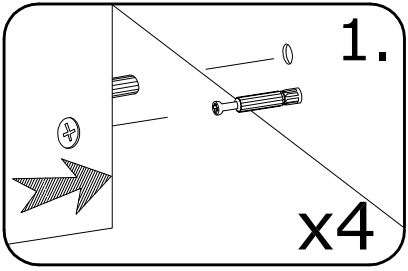
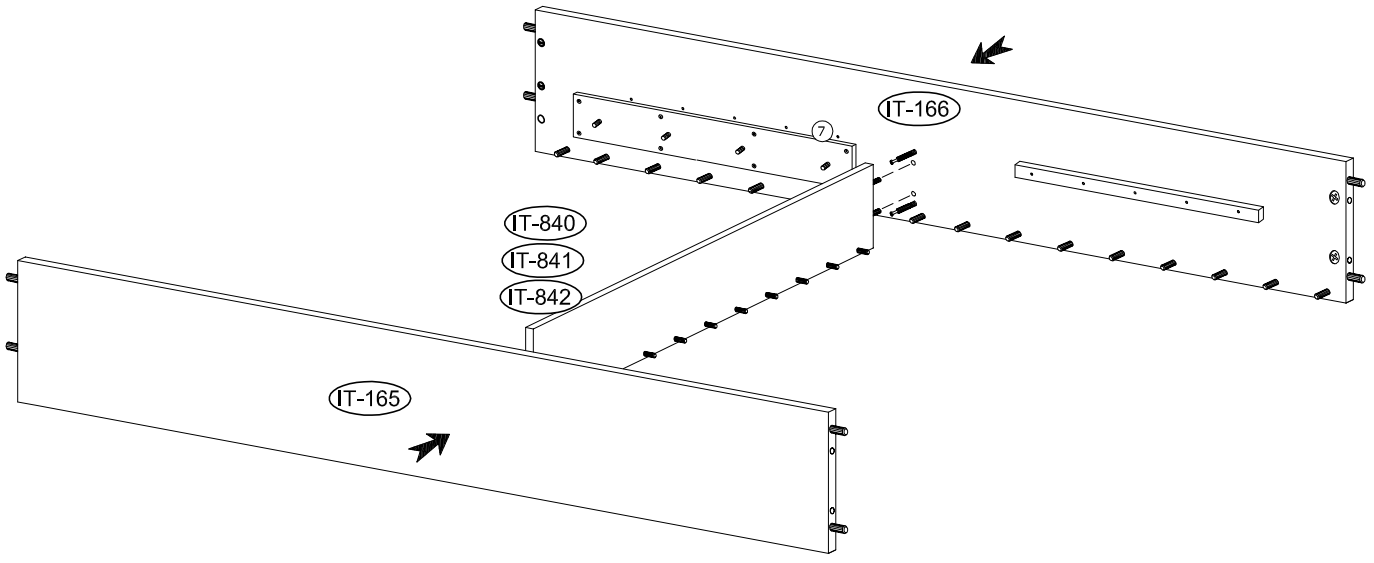
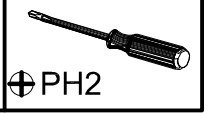


9

3989  x16	3992  x4		
--	---	--	---



11

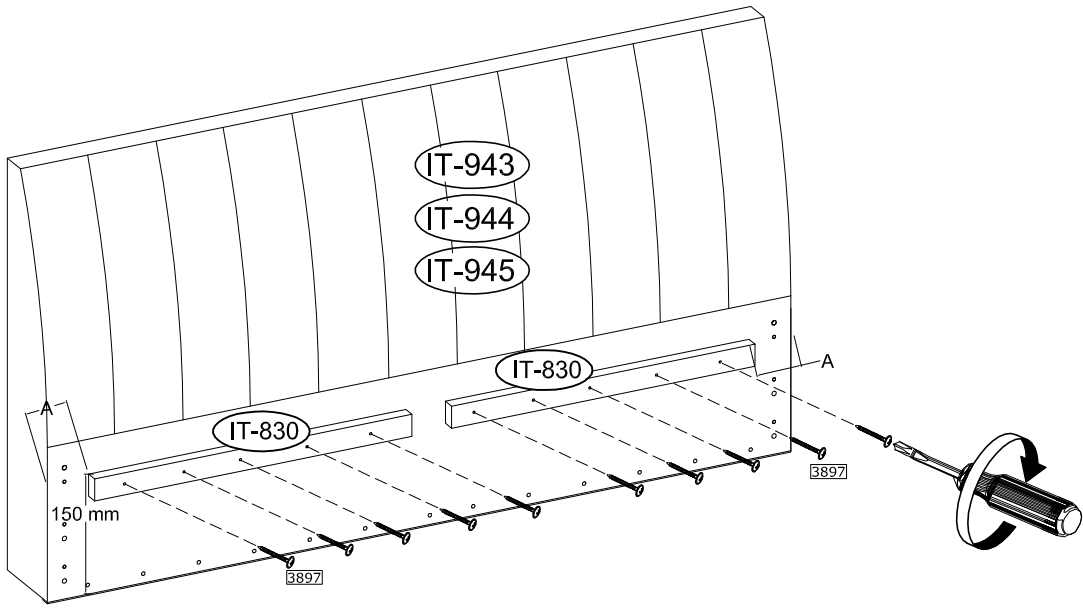


12

3897



x10



13

83893

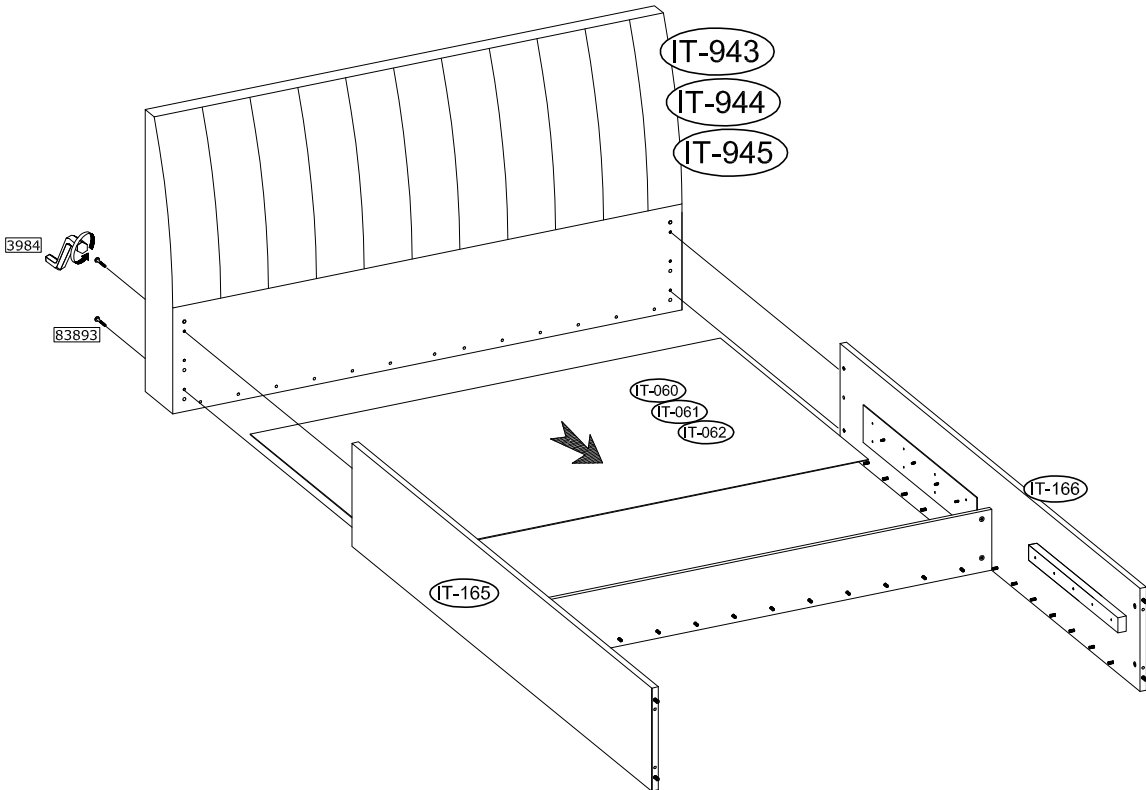


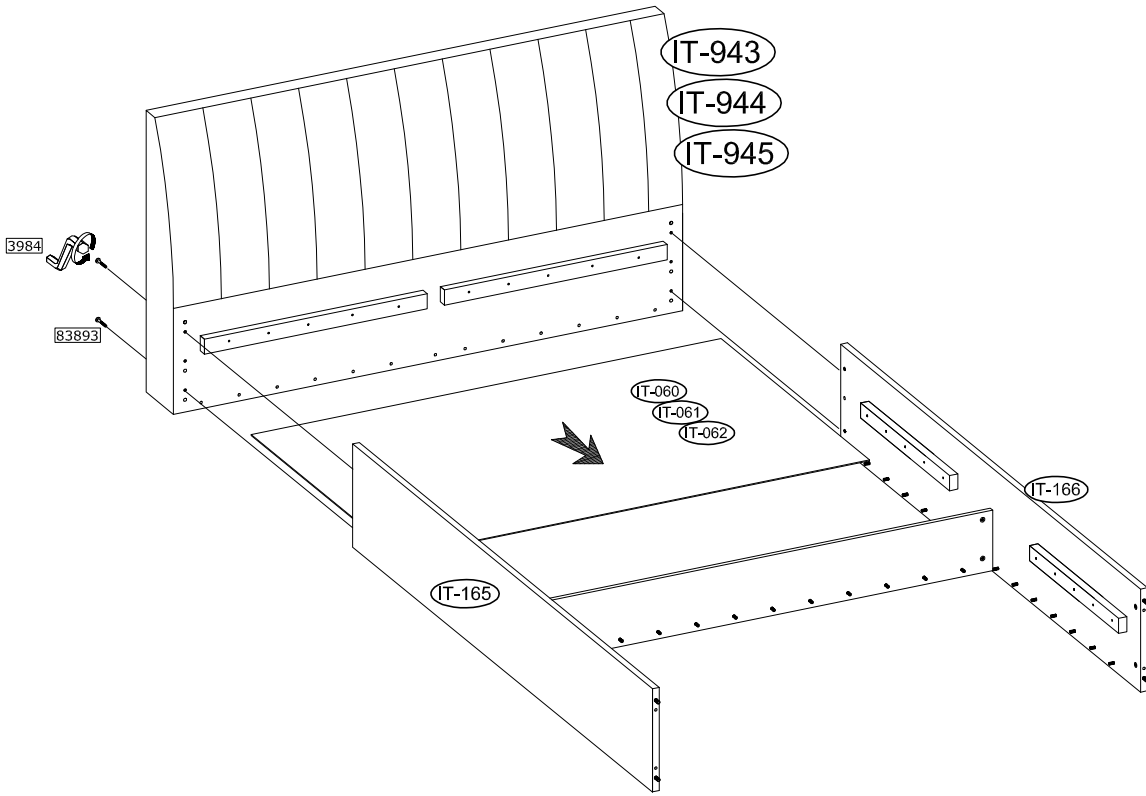
x4

3984



x1





14

<p>4086</p>  <p>x4</p>		 <p>⊕ PH2</p>
---	--	--

