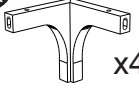

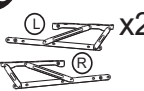




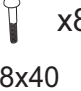

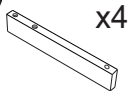









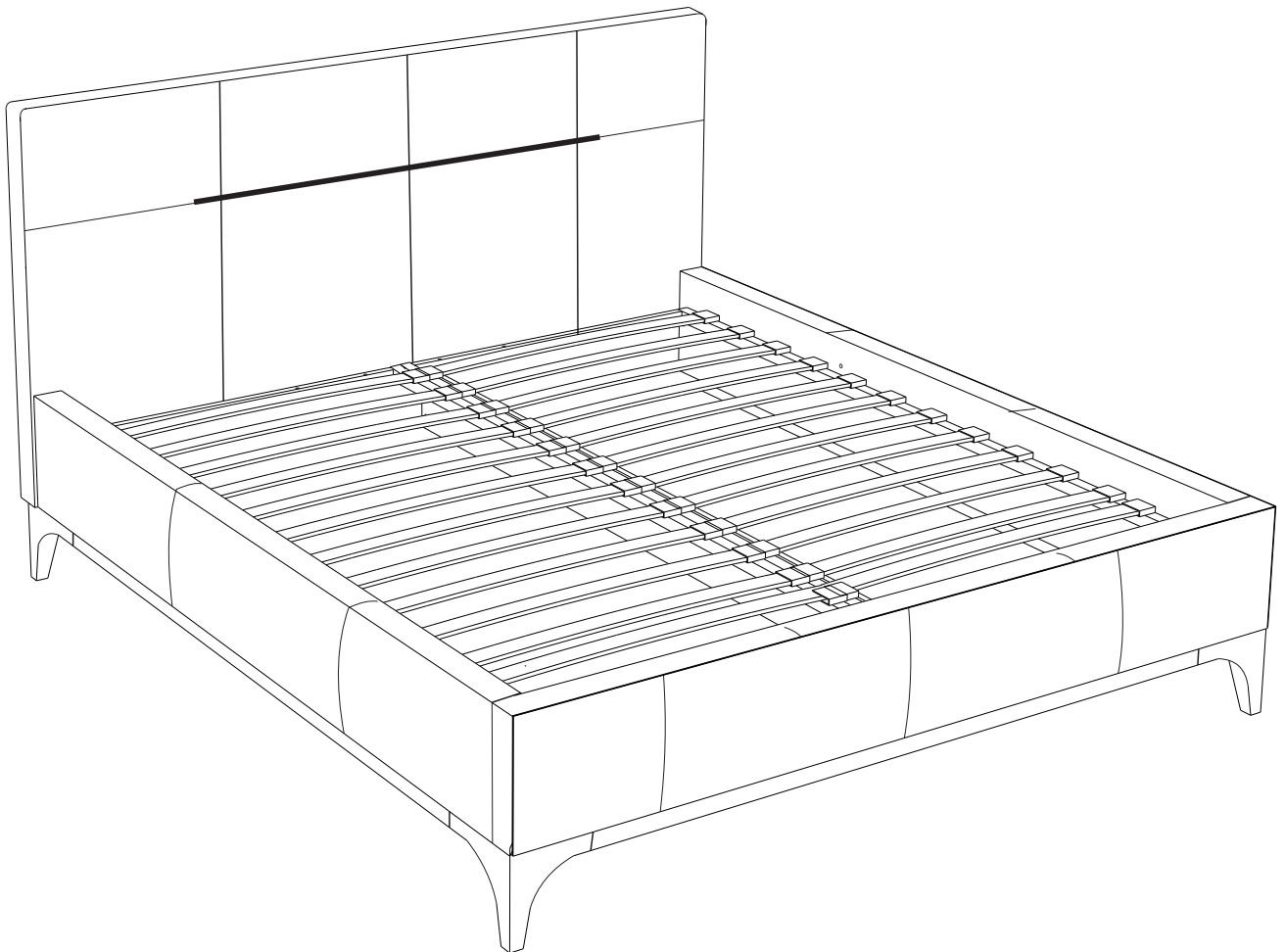




<b>A</b>  x4	<b>B</b>  x4	<b>C</b>  x2	<b>D</b>  x4	<b>E</b>  x4	<b>F</b>  x12 M6x20	<b>G</b>  x12 M6x30	<b>H</b>  x8 M8x40	<b>I</b>  x12 M8x70
<b>J</b>  x4	<b>K</b>  x4 5X30	<b>L</b>  x4 M6	<b>N</b>  x6 M6x50	<b>O</b>  x8 M8	<b>P</b>  x6	<b>Q</b>  x8 M8x16	<b>R</b>  x11 M6x55	<b>S</b>  x1 #4
<b>T</b>  x2								

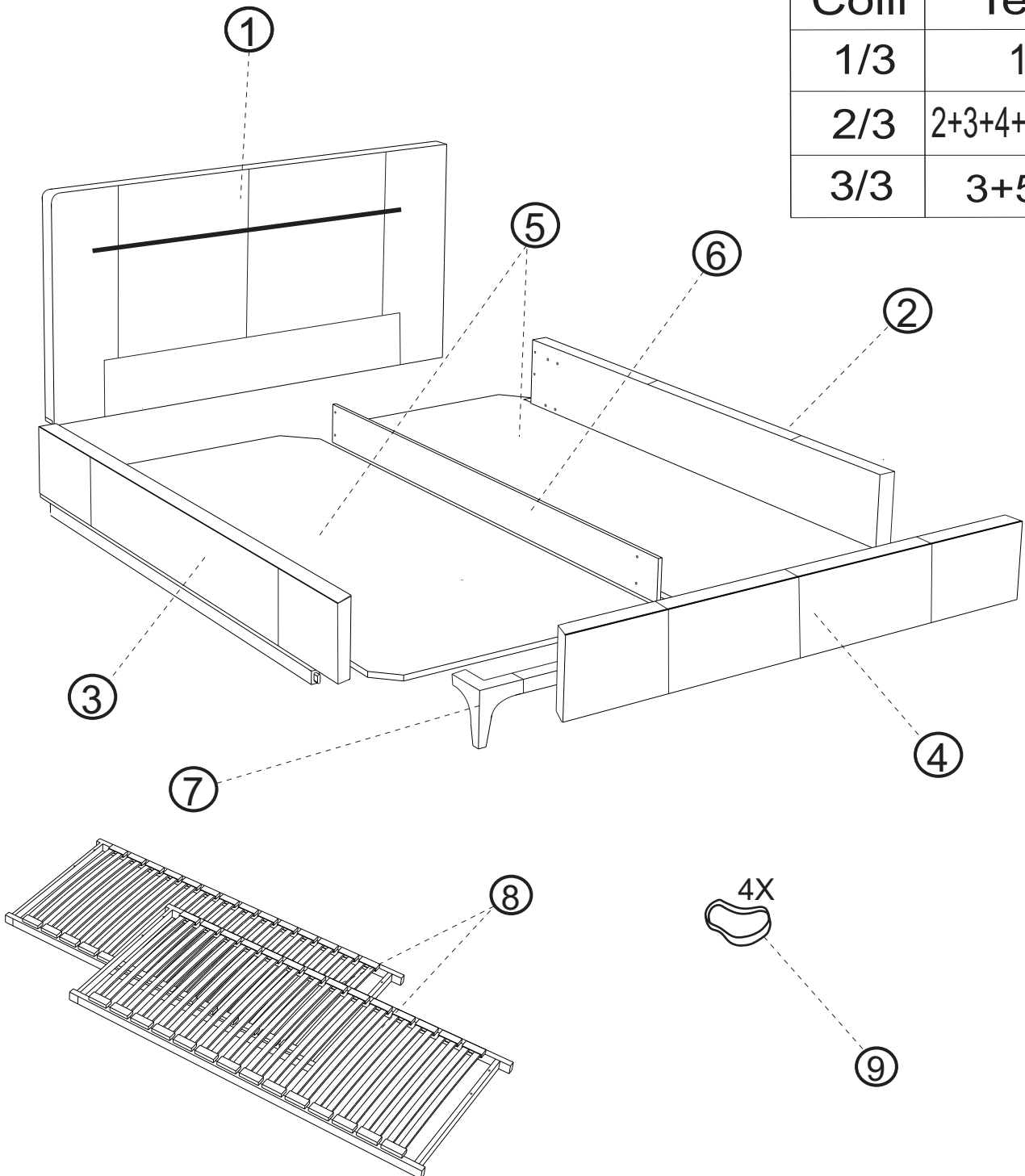
0  
10  
20  
30  
40  
50  
60  
70  
80  
90  
100  
110  
120  
130  
140  
150  
160  
170  
180







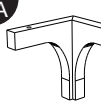


Colli	Teil
1/3	1
2/3	2+3+4+6+7+9
3/3	3+5+5

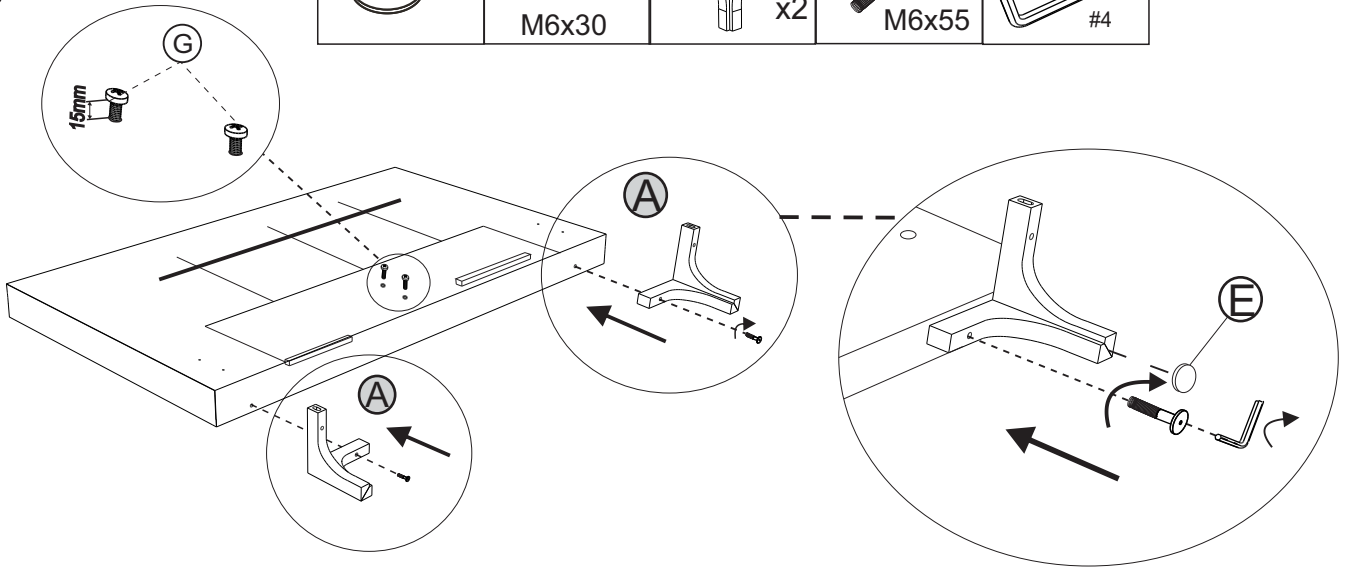
0  
10  
20  
30  
40  
50  
60  
70  
80  
90  
100  
110  
120  
130  
140  
150  
160  
170  
180








1

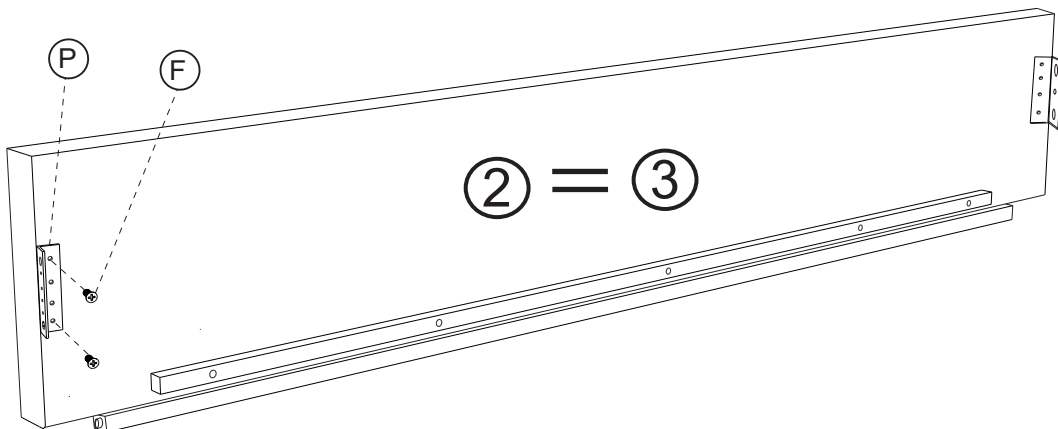
<b>E</b>	 x2	<b>G</b>	 x2 M6x30	<b>A</b>	 x2	<b>R</b>	 x2 M6x55	<b>S</b>	 x1 #4
----------	--	----------	---	----------	--	----------	---	----------	--



2

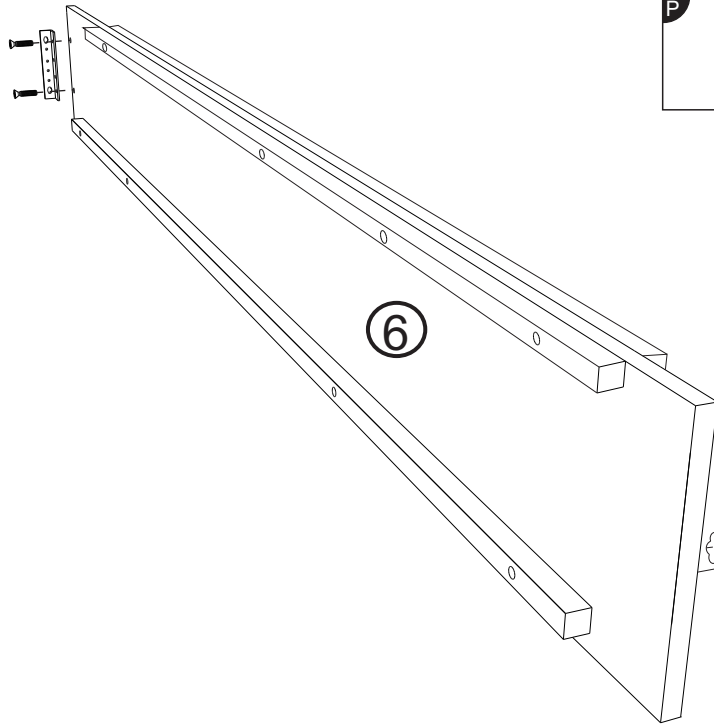
**L**      **D**

<b>P</b>	 x4	<b>F</b>	 x8 M6x20	
----------	--	----------	---	---





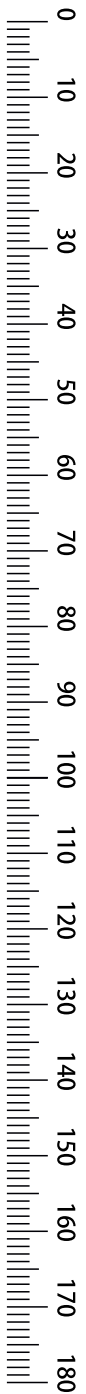
3



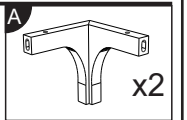
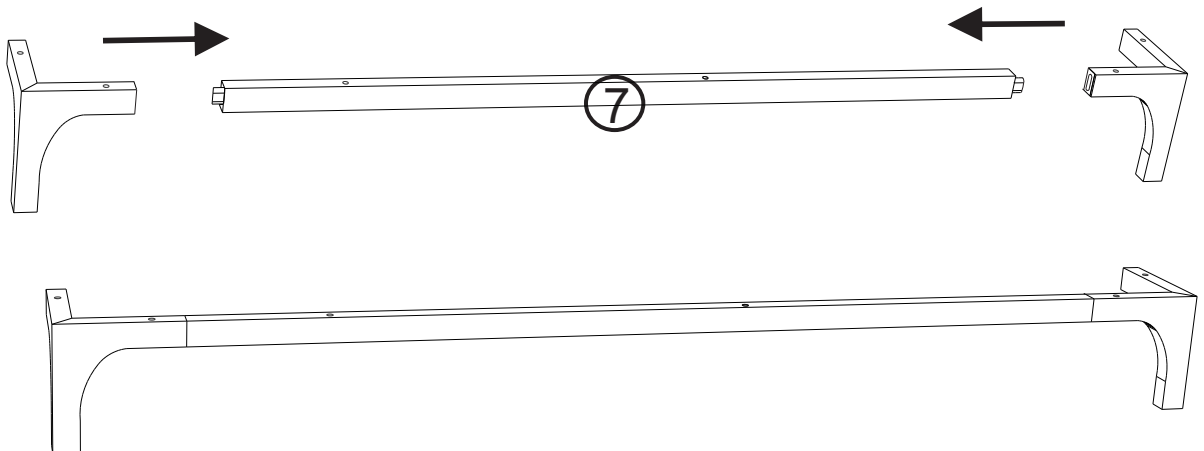
P

F

6



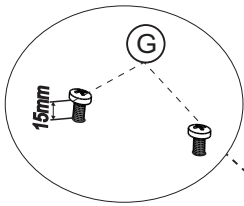
4







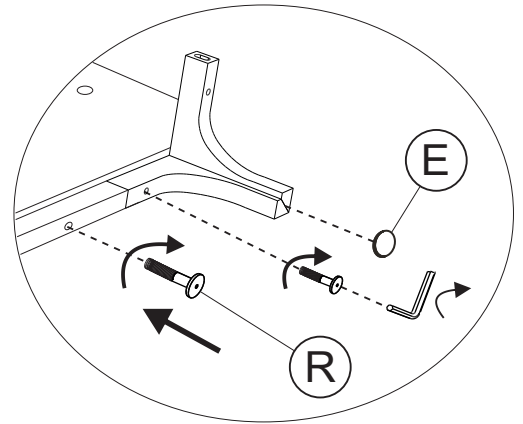
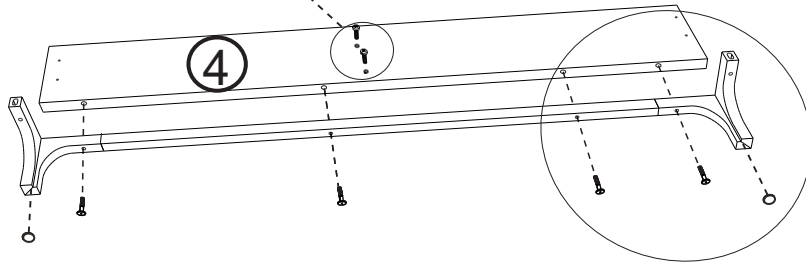
7



5

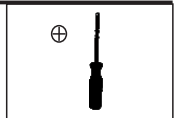
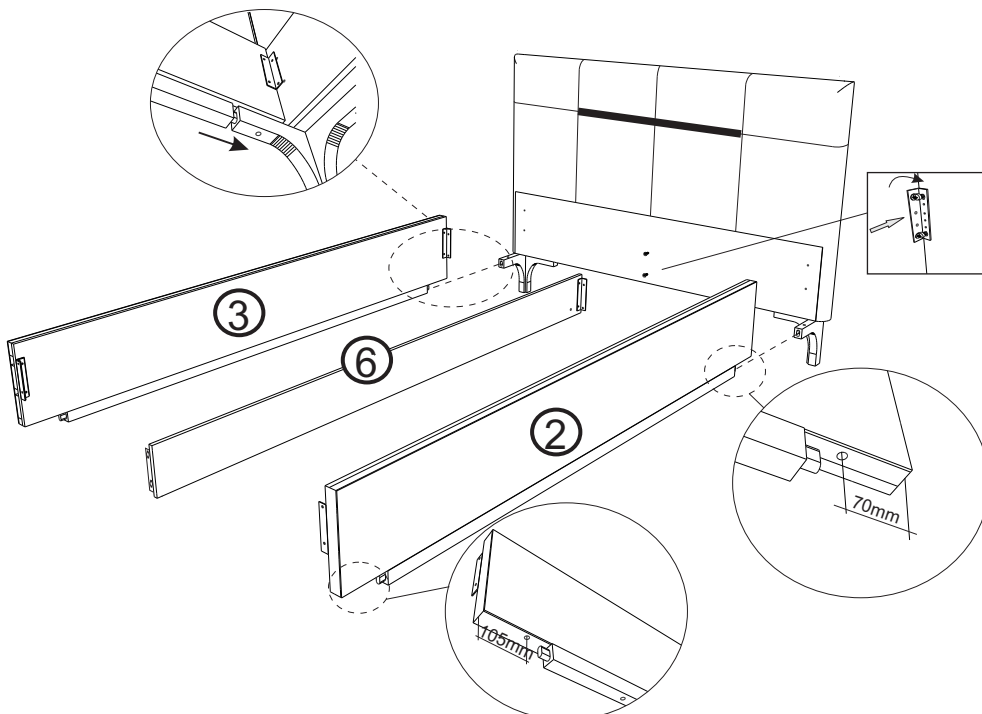


<b>G</b>	 x2	<b>R</b>	 x4	<b>E</b>	 x2	<b>S</b>	 x1
	M6x30		M6x55				#4



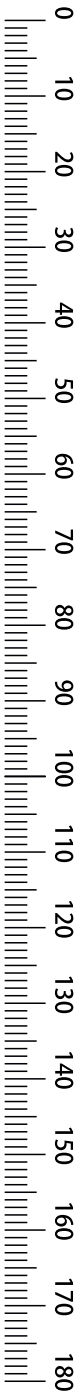
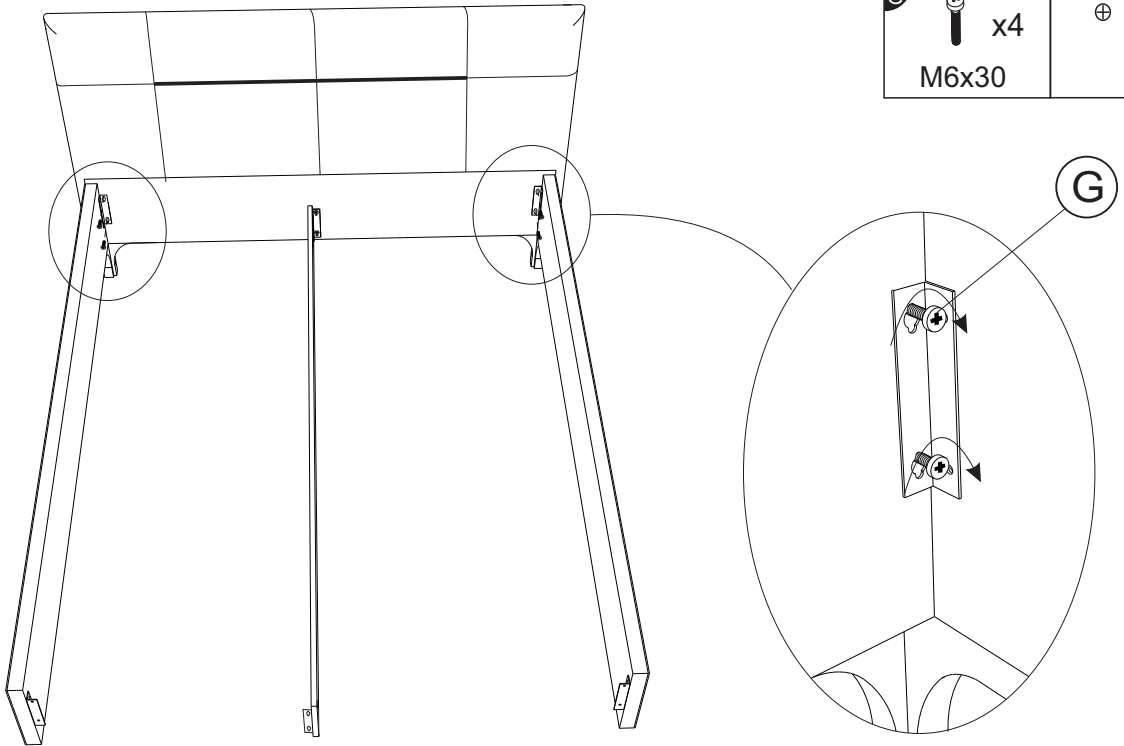
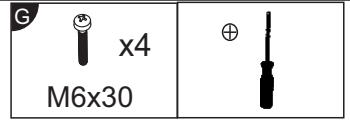
0  
10  
20  
30  
40  
50  
60  
70  
80  
90  
100  
110  
120  
130  
140  
150  
160  
170  
180

4

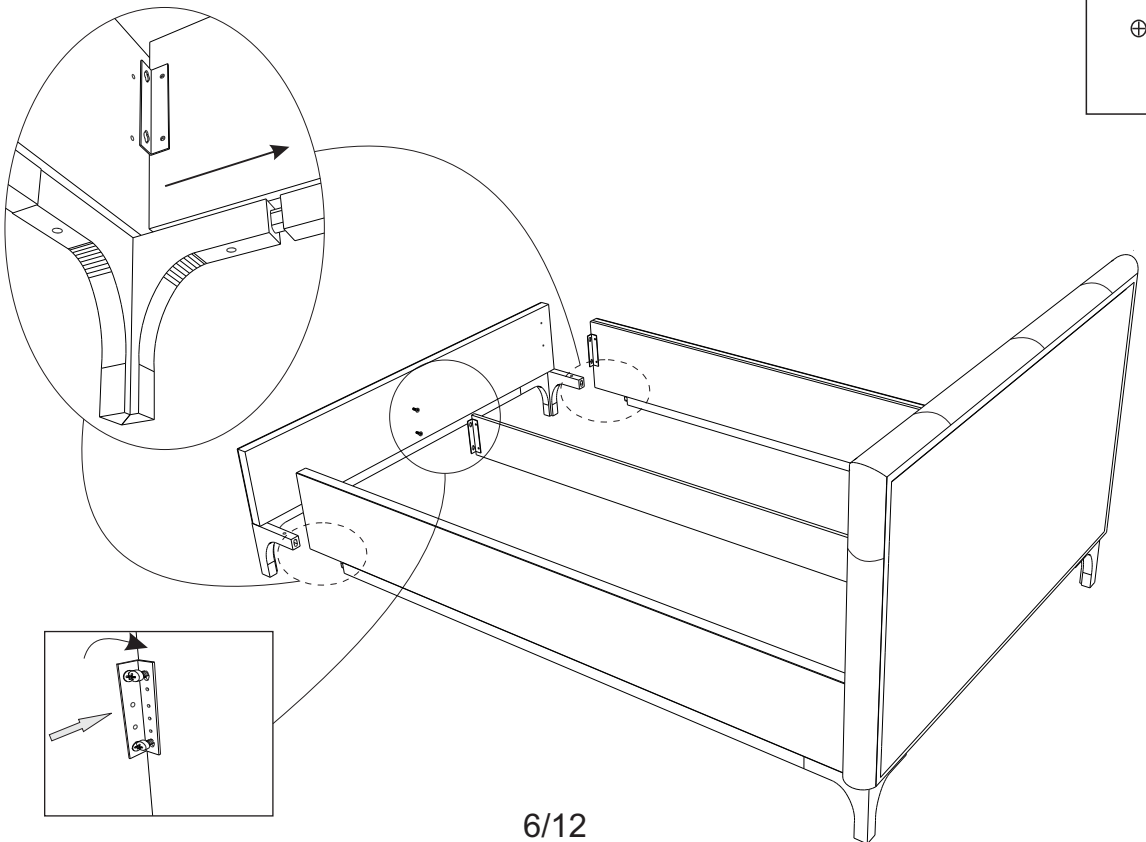
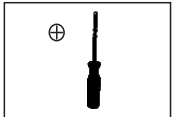




7





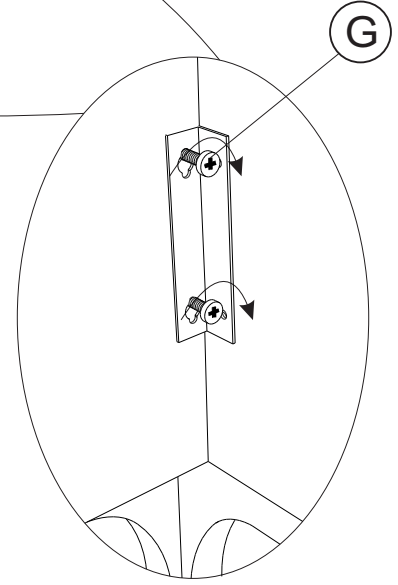
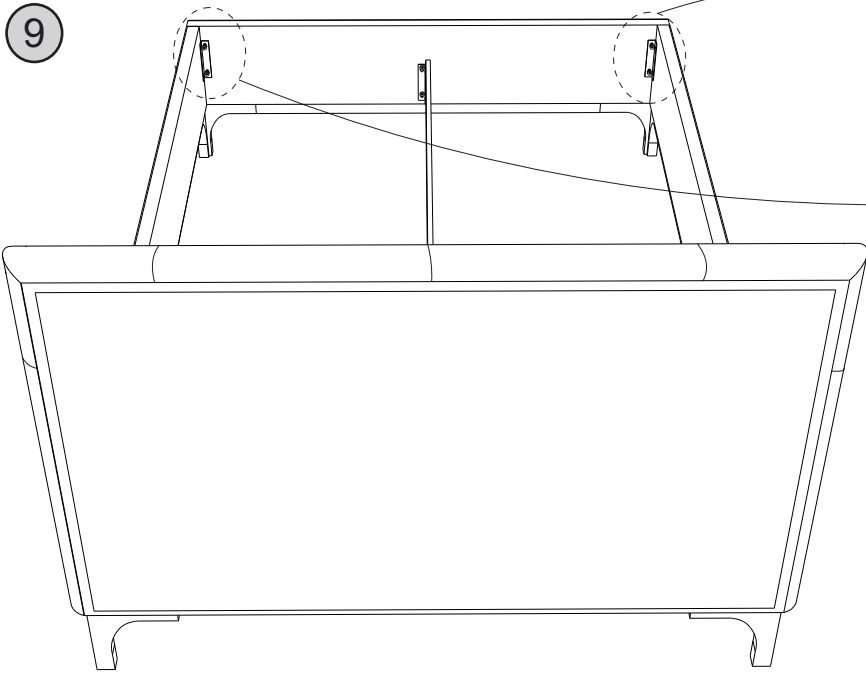
8







9

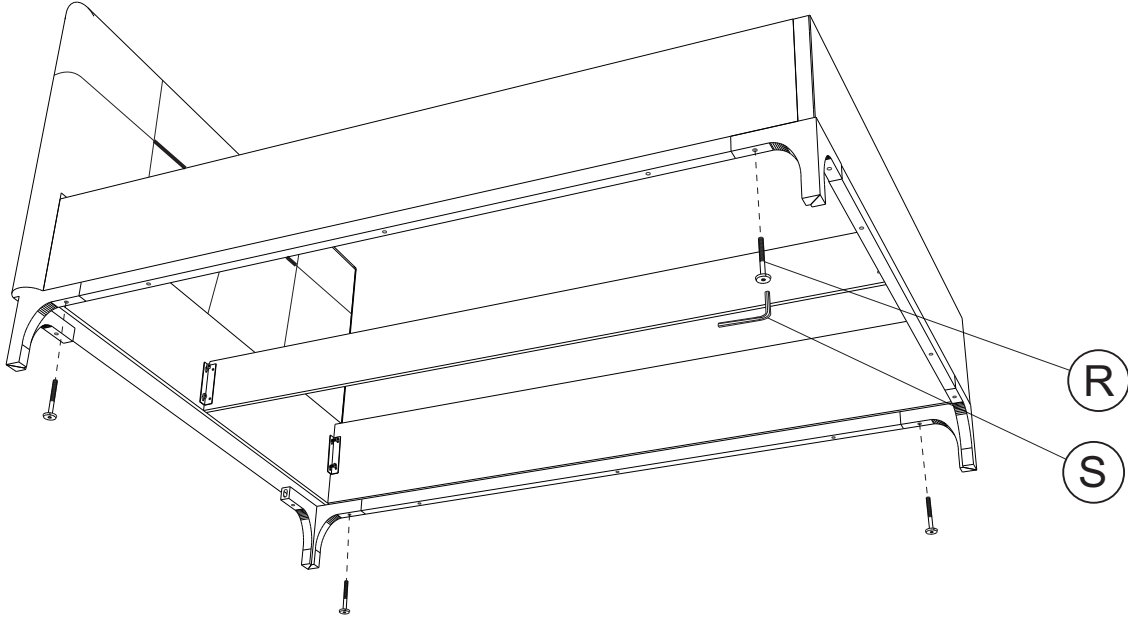
<b>G</b>	 x4	
	M6x30	



0  
10  
20  
30  
40  
50  
60  
70  
80  
90  
100  
110  
120  
130  
140  
150  
160  
170  
180





10

<b>R</b>	 x4	<b>S</b>	 x1
	M6x55		#4

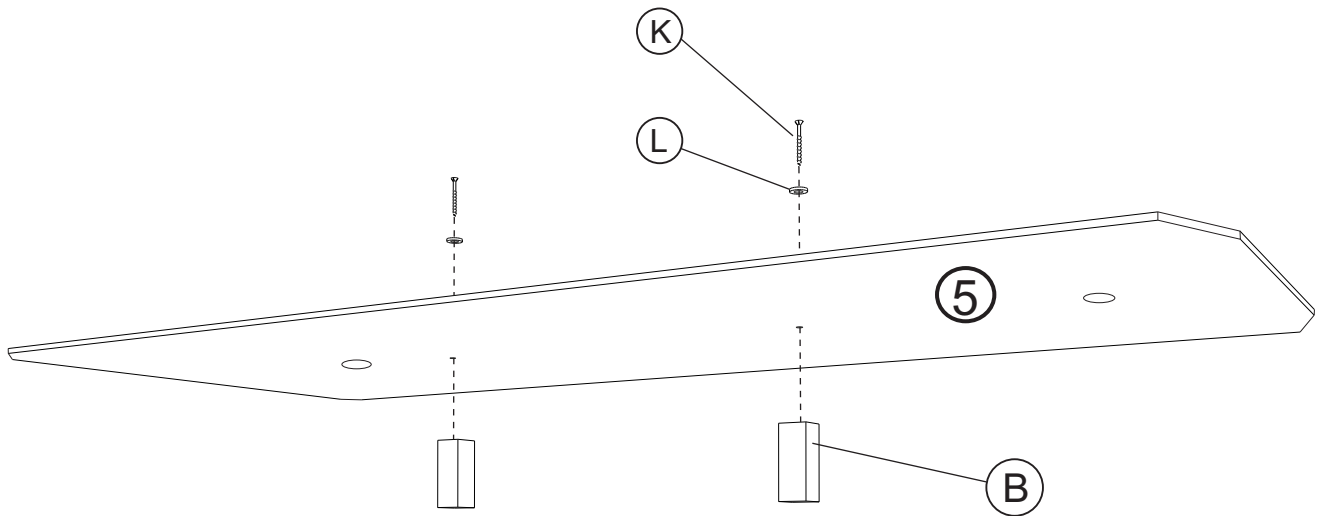




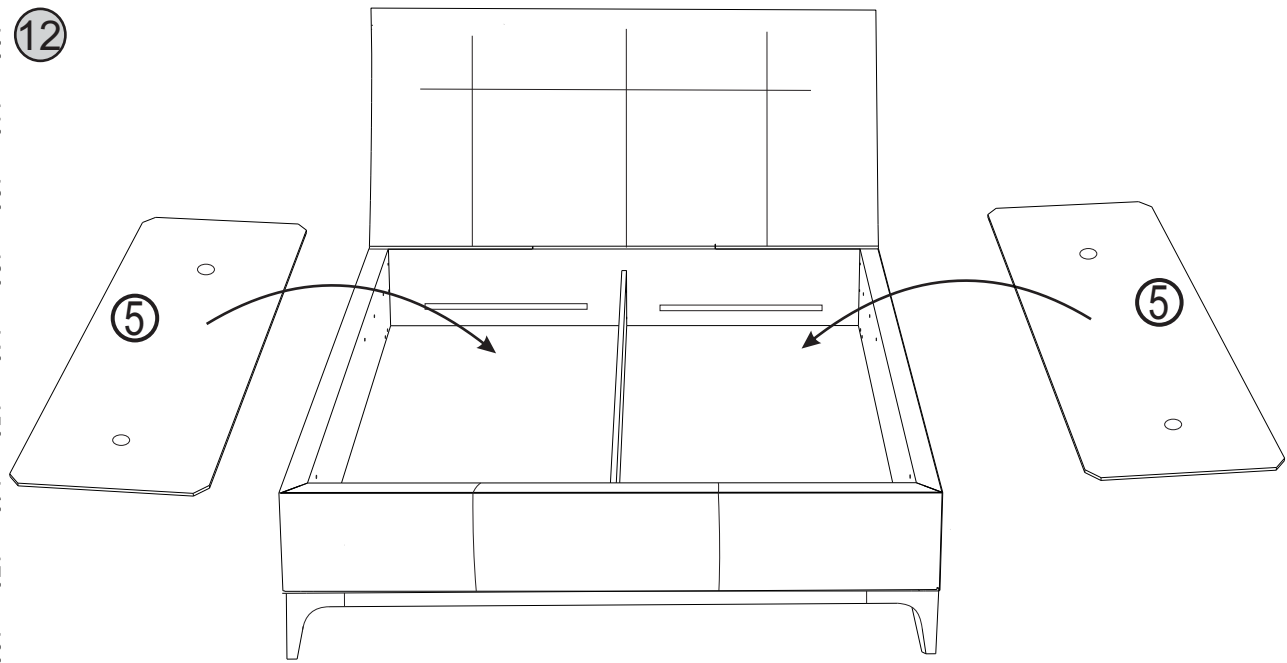
11

<b>K</b>  x2 5X30	<b>L</b>  x2 M6	<b>B</b>  x4	
---	---	---	---

0  
10  
20  
30  
40  
50  
60  
70  
80  
90  
100  
110  
120  
130  
140  
150  
160  
170  
180



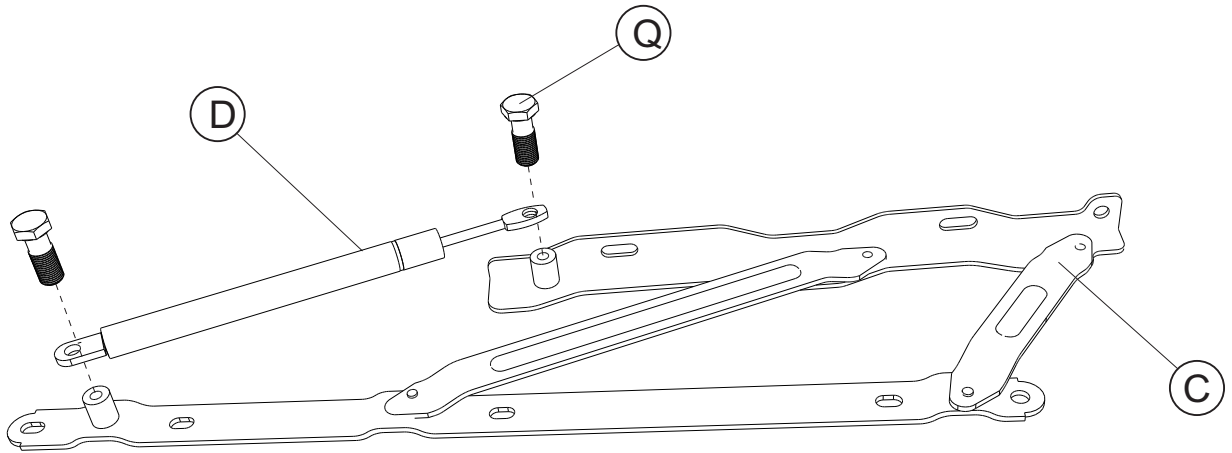
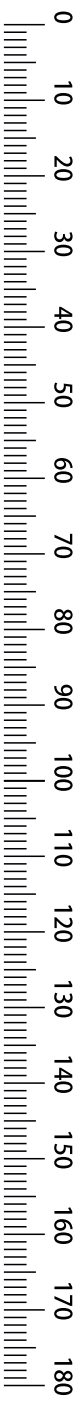
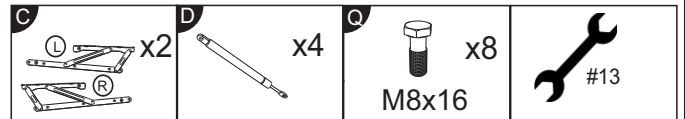
12



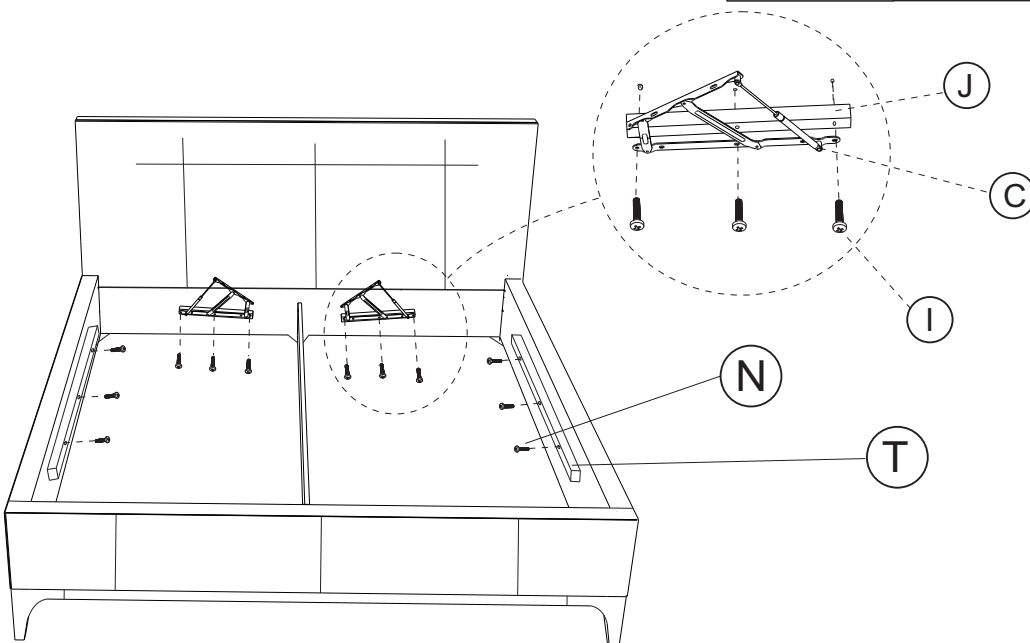
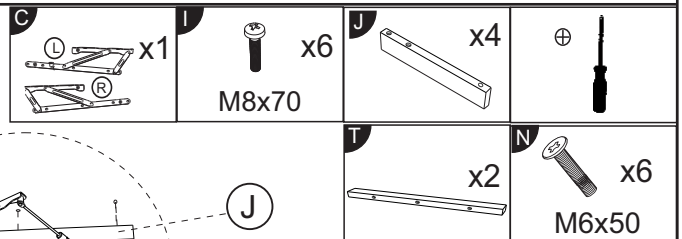




13

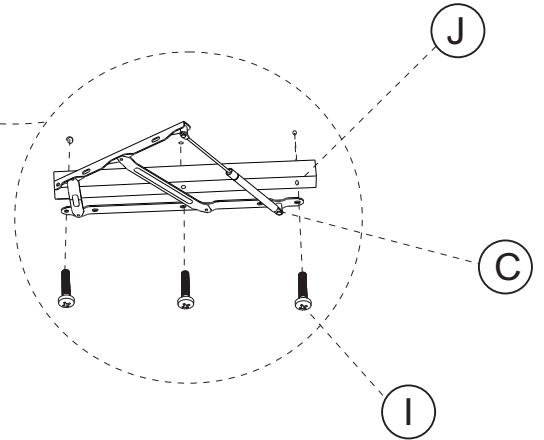
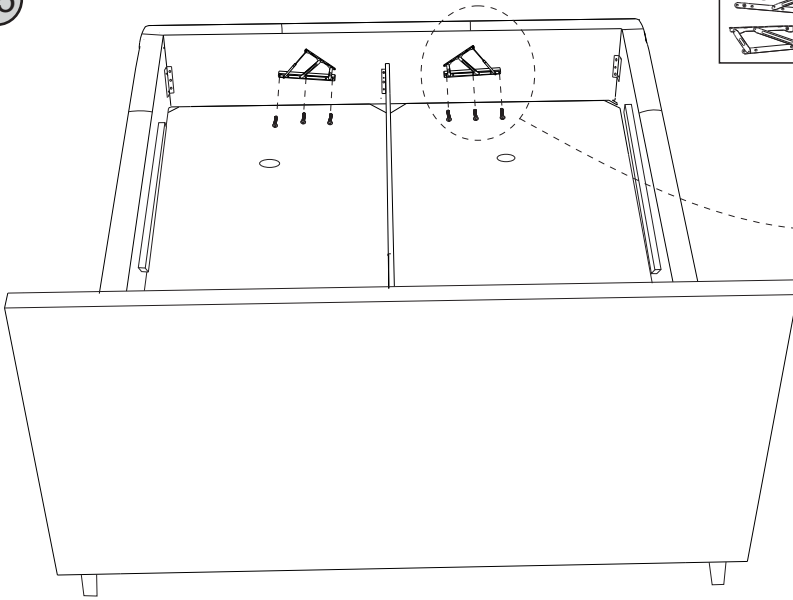
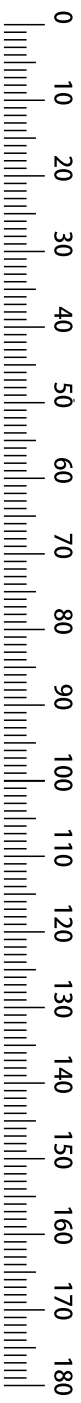
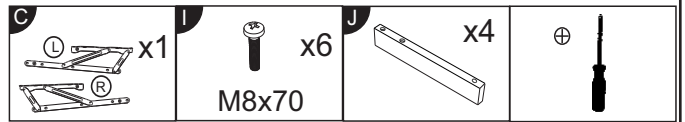


14

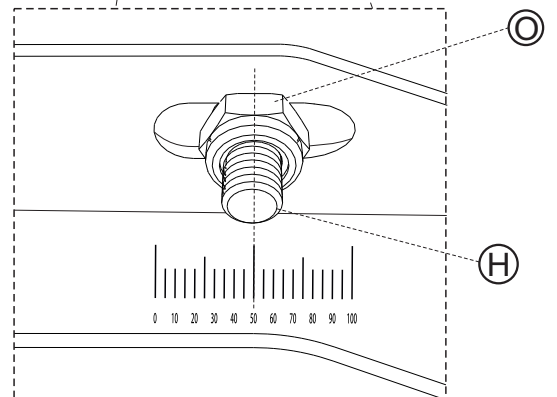
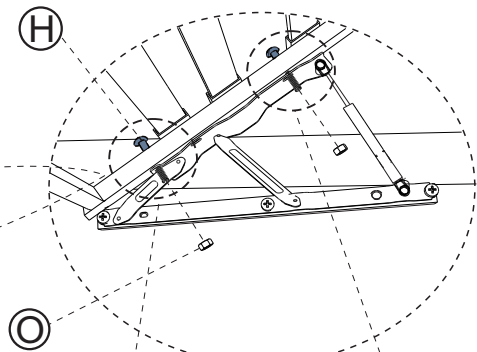
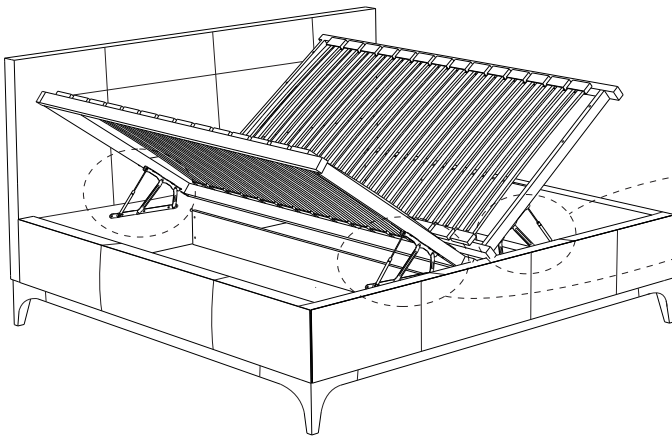




15



16

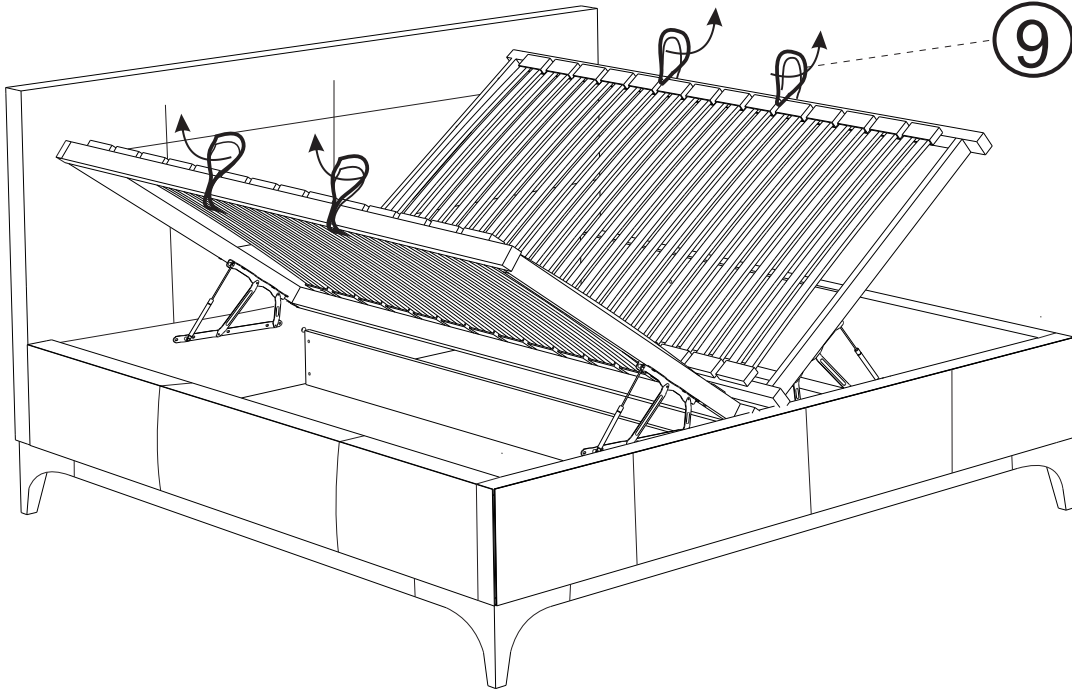




17

9

0  
10  
20  
30  
40  
50  
60  
70  
80  
90  
100  
110  
120  
130  
140  
150  
160  
170  
180



18

