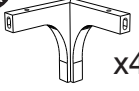

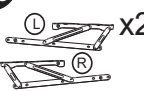






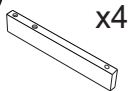








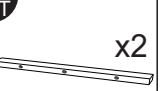
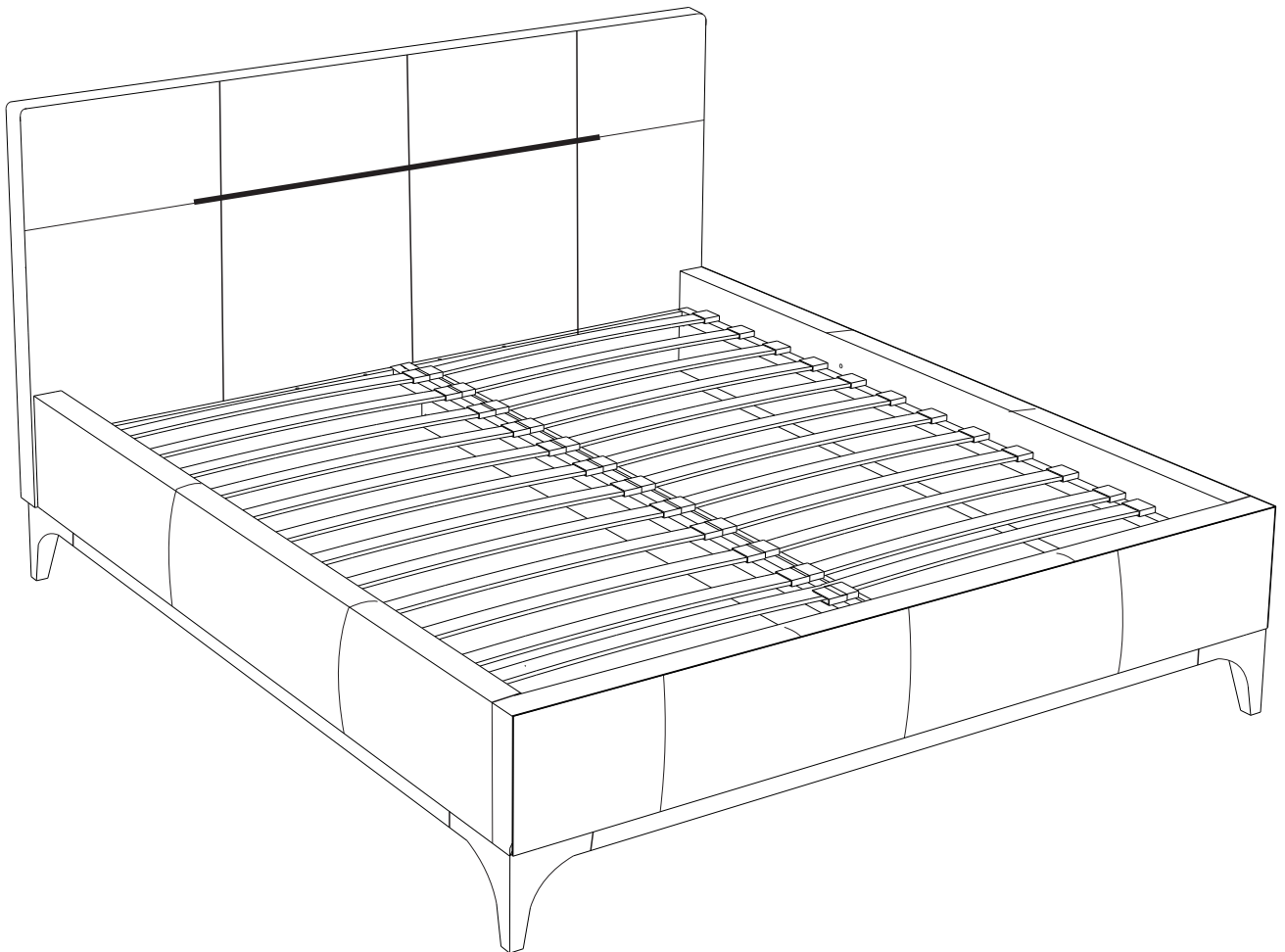




A  x4	B  x4	C  x2	D  x4	E  x4	F  x12 M6x20	G  x12 M6x30	H  x8 M8x40	I  x12 M8x70
J  x4	K  x4 5X30	L  x4 M6	N  x6 M6x50	O  x8 M8	P  x6	Q  x8 M8x16	R  x11 M6x55	S  x1 #4
T  x2								

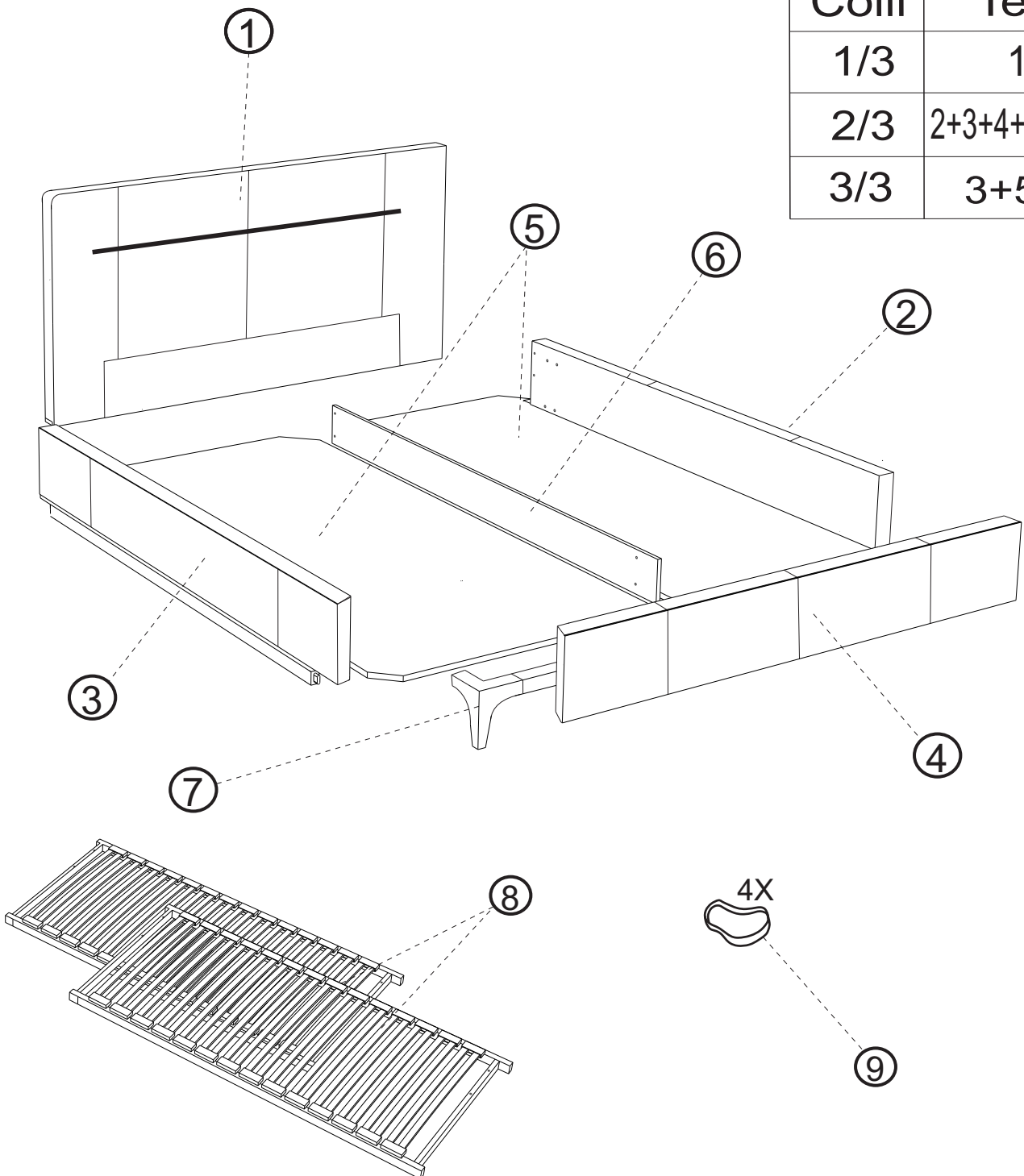
0
10
20
30
40
50
60
70
80
90
100
110
120
130
140
150
160
170
180







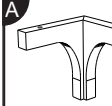


Colli	Teil
1/3	1
2/3	2+3+4+6+7+9
3/3	3+5+5

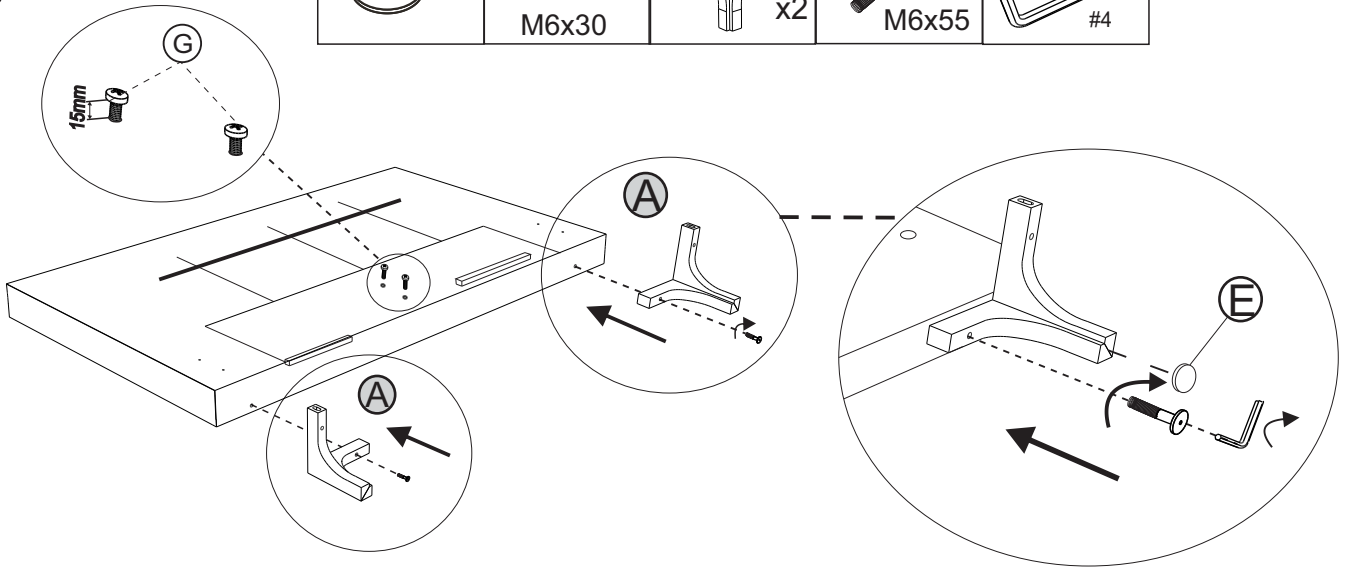
0
10
20
30
40
50
60
70
80
90
100
110
120
130
140
150
160
170
180





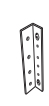


1

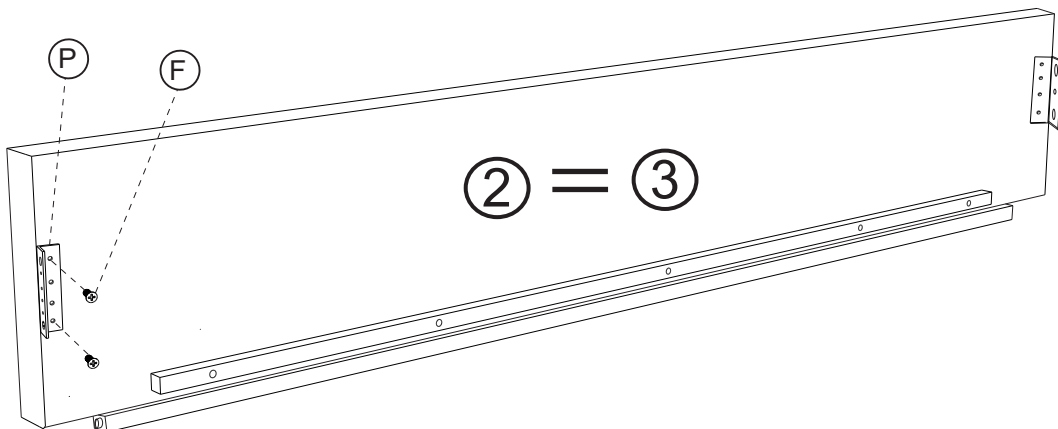
E	 x2	G	 x2 M6x30	A	 x2	R	 x2 M6x55	S	 x1 #4
----------	--	----------	---	----------	--	----------	---	----------	--



2

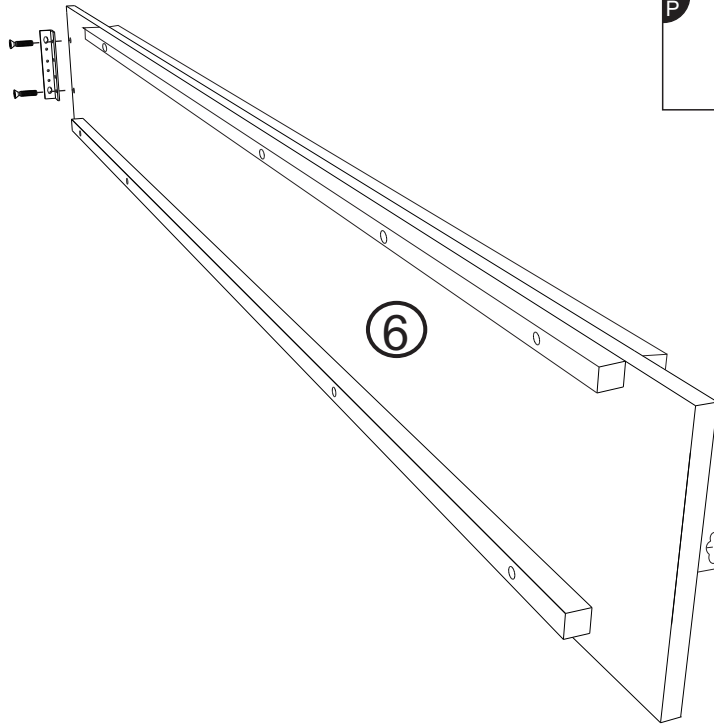
L **D**

P	 x4	F	 x8 M6x20	
----------	--	----------	---	---





3

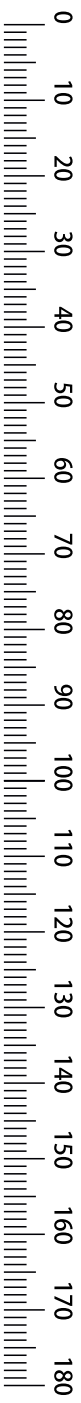


P  x2	F  x4 M6x20	
---	--	---

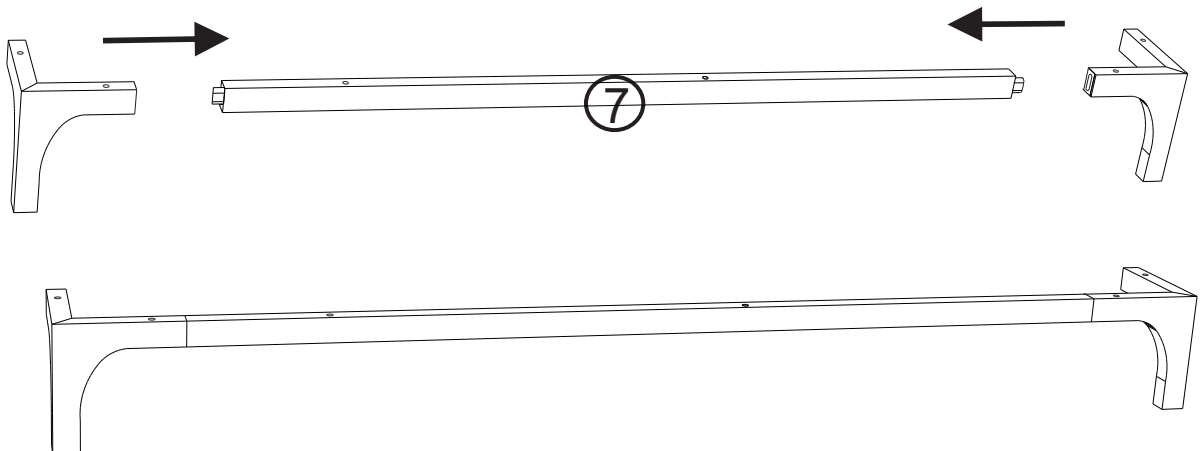
P

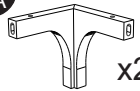
F

6



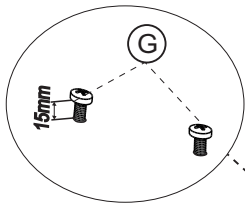
4







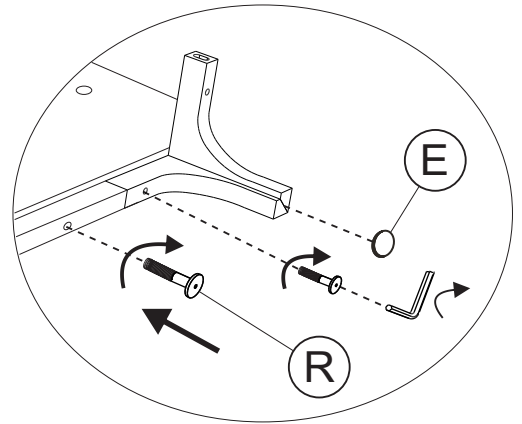
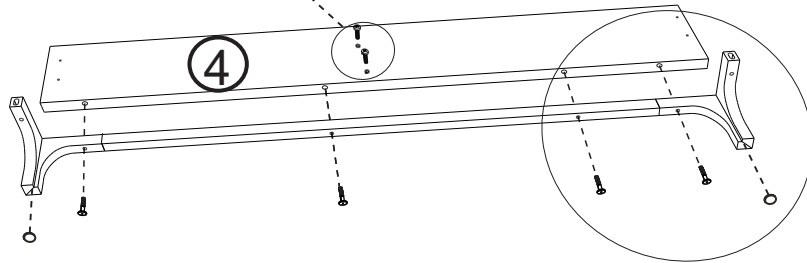
A  x2



5

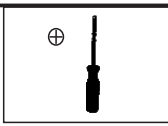
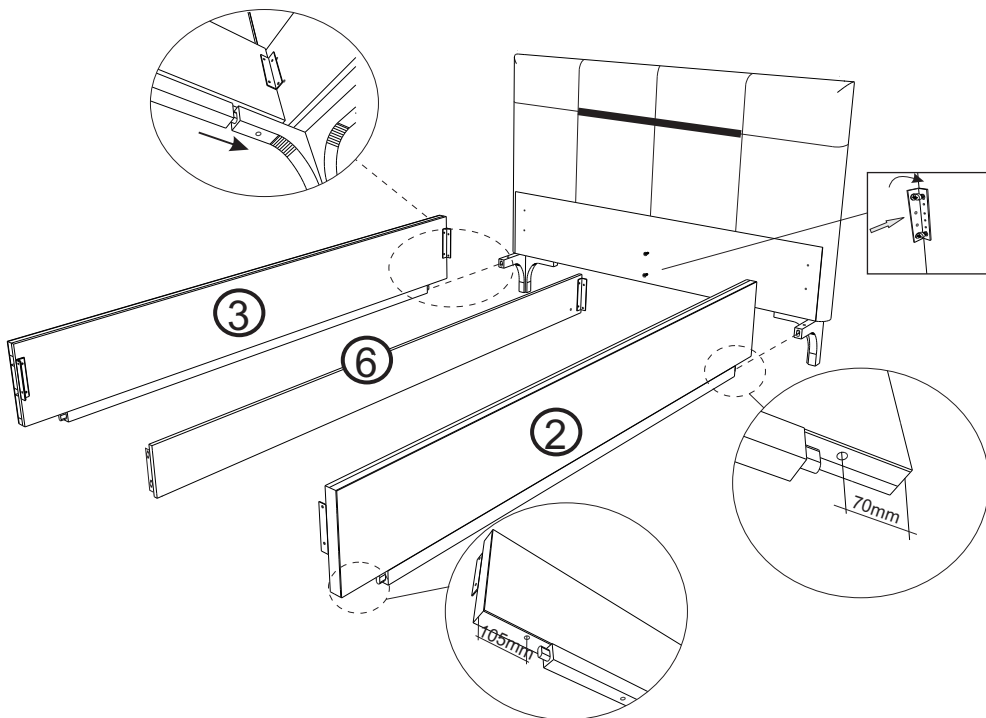


G	 x2	R	 x4	E	 x2	S	 x1
	M6x30		M6x55				#4



0
10
20
30
40
50
60
70
80
90
100
110
120
130
140
150
160
170
180

4



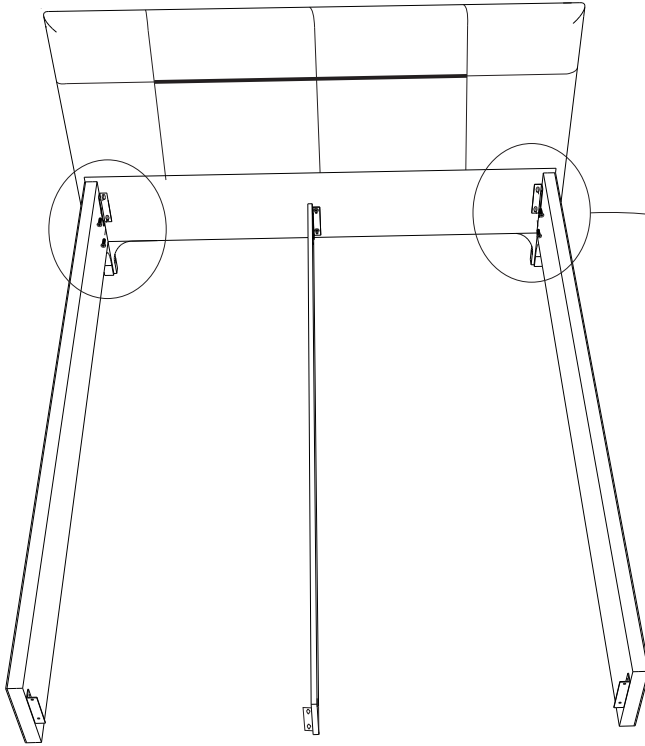
- (D) AUFBAUANLEITUNG
- (NL) HANDLEIDING VOOR DE MONTAGE
- (TR) MONTAJ TALIMATI
- (RO) INSTRUCTIUNI DE ASAMBLARE
- (F) INSTRUCTION D'ASSEMBLAGE
- (CZ) POKYNY K MONTÁŽI
- (BG) ИНСТРУКЦИИ ЗА МОНТАЖ
- (HR) NAPUTCI ZA MONTAŽU
- (E) INSTRUCCIONES DE MONTAJE
- (GB) ASSEMBLY INSTRUCTIONS
- (PL) INSTRUKCJA MONTAŻU
- (RU) Инструкция по монтажу
- (I) PROCEDURA DI ASSEMBLAGGIO
- (SK) POKYNY K MONTÁŽI
- (HU) KÖZGYŰLÉS UTASÍTÁSOK
- (SLO) NAVODILA ZA MONTAŽO
- (S) MONTERINGSANVISNING
- (LT) DIEGIMO INSTRUKCIJOS

2 X	45min	⊕ 	#13



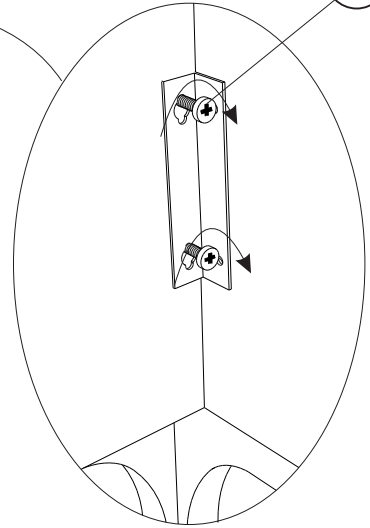
7

0
10
20
30
40
50
60
70
80
90
100
110
120
130
140
150
160
170
180

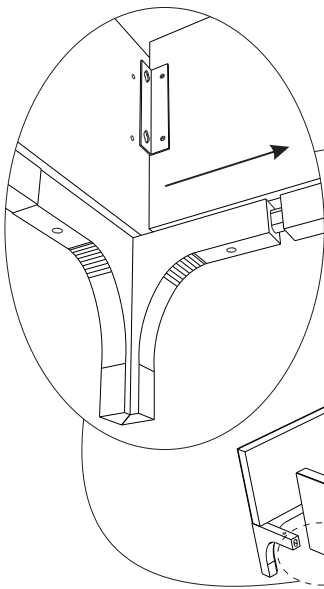


G	x4	⊕
M6x30		

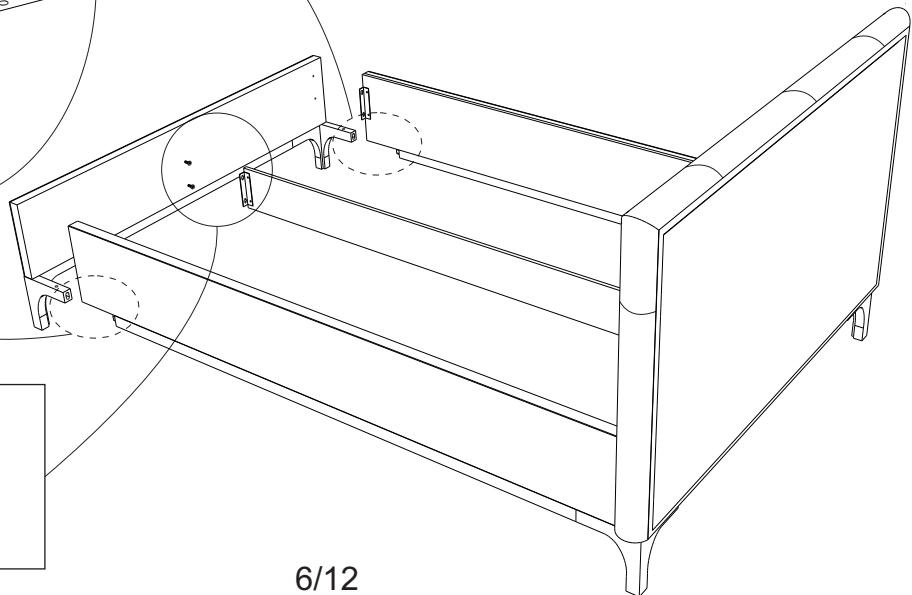
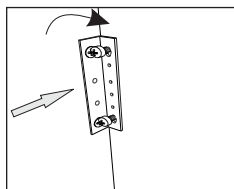
G



8





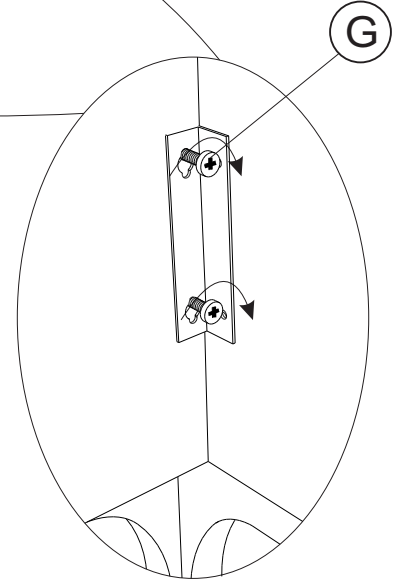
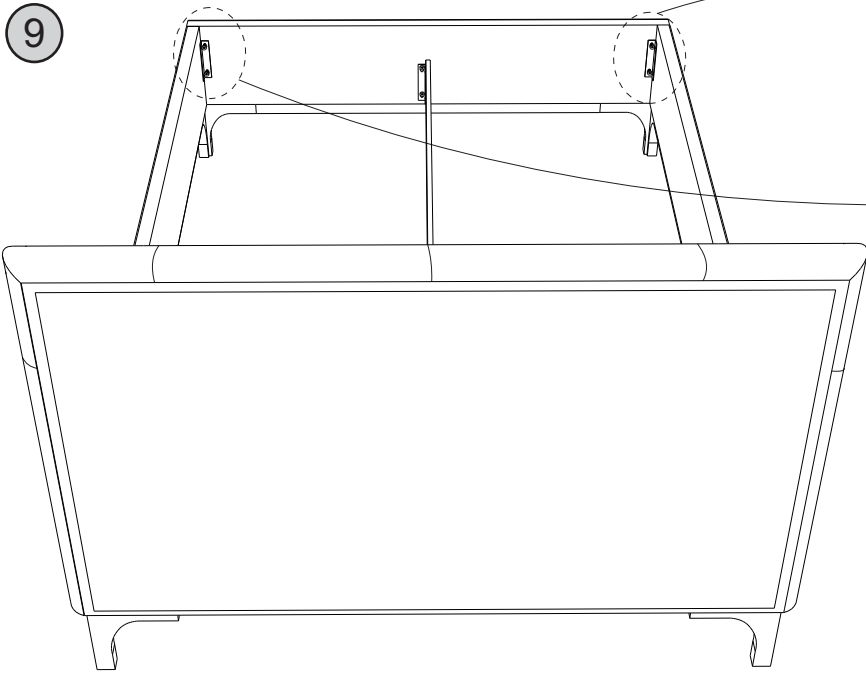
⊕







9

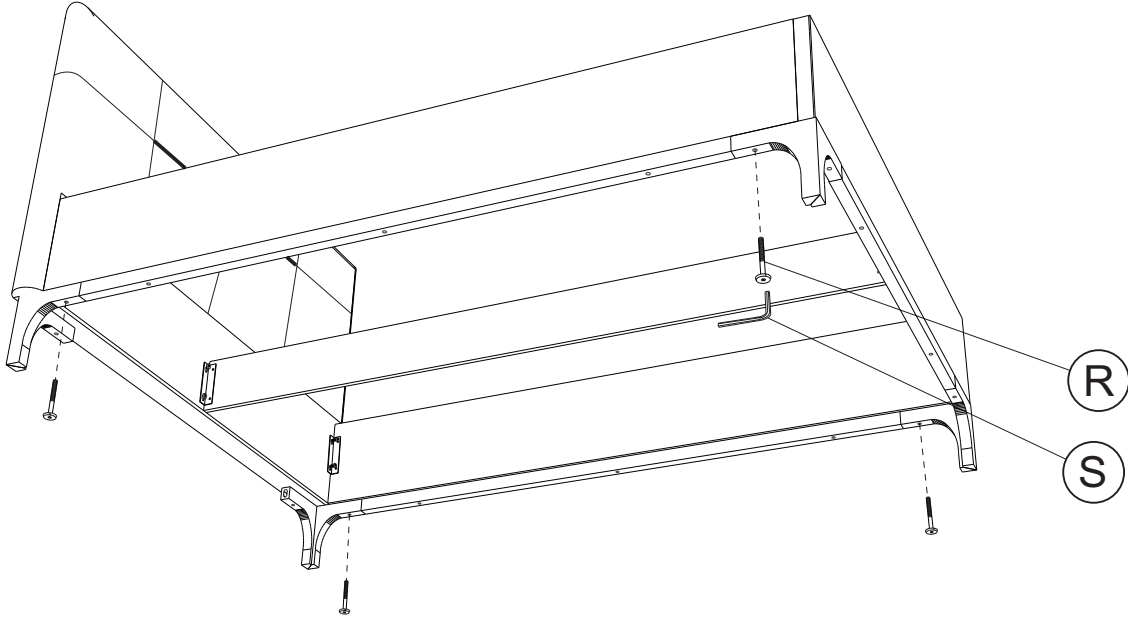
G	 x4	
	M6x30	



0
10
20
30
40
50
60
70
80
90
100
110
120
130
140
150
160
170
180





10

R	 x4	S	 x1
	M6x55		#4

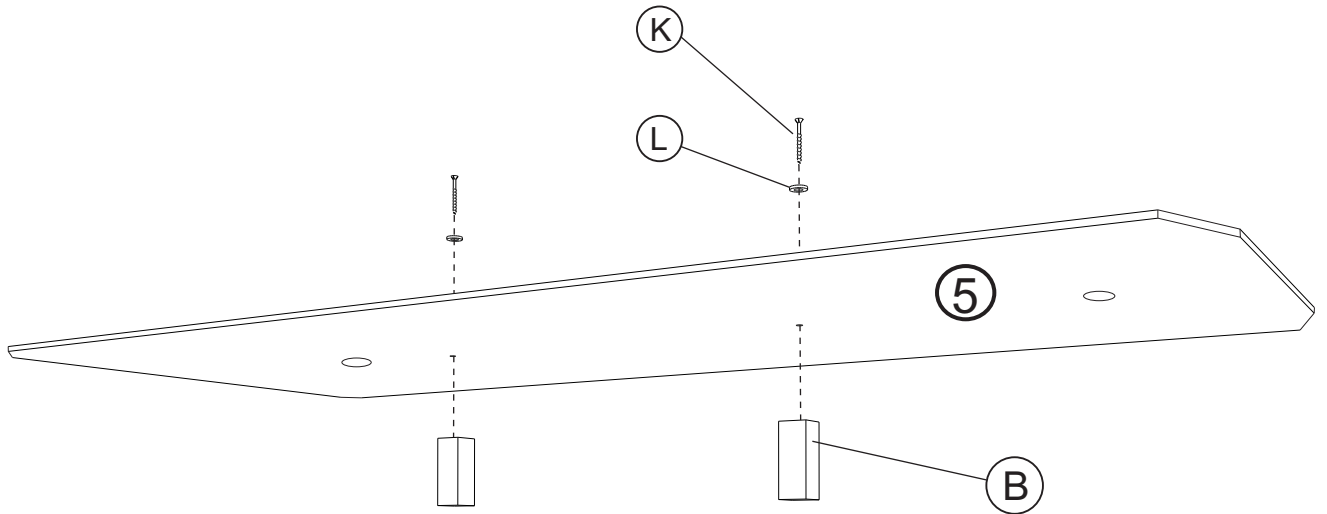




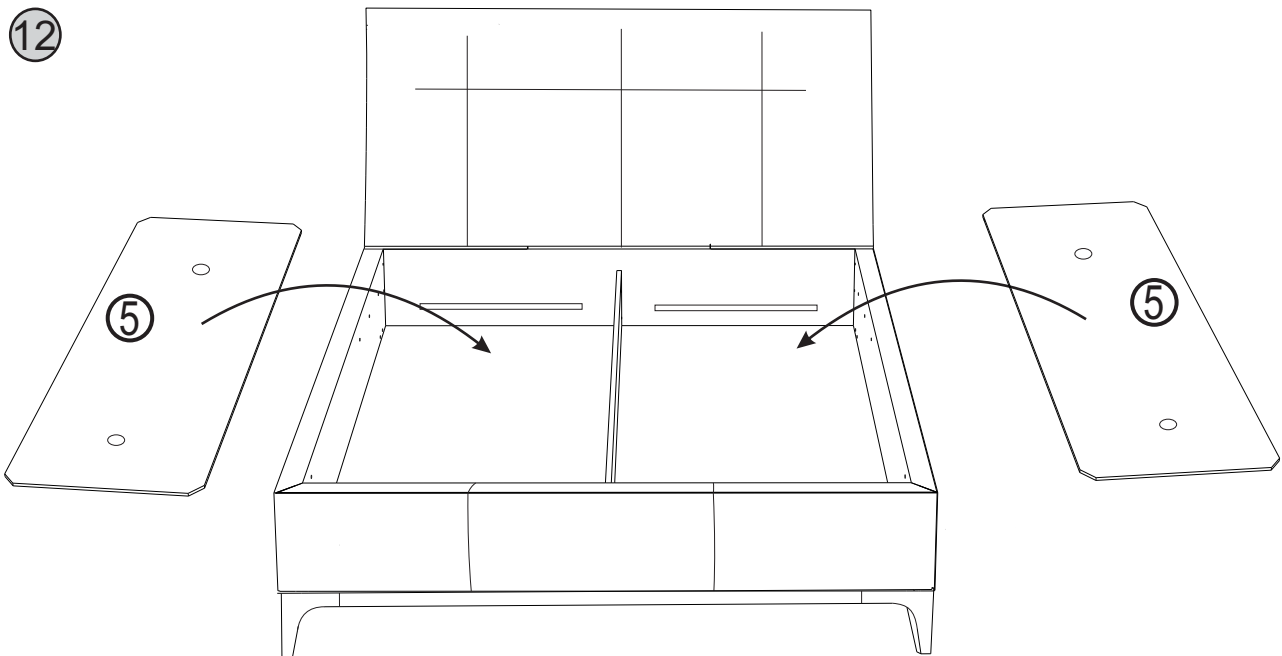
11

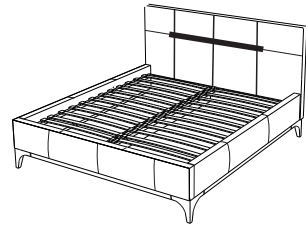
K	 x2 5X30	L	 x2 M6	B	 x4	
----------	--	----------	--	----------	--	---

0
10
20
30
40
50
60
70
80
90
100
110
120
130
140
150
160
170
180

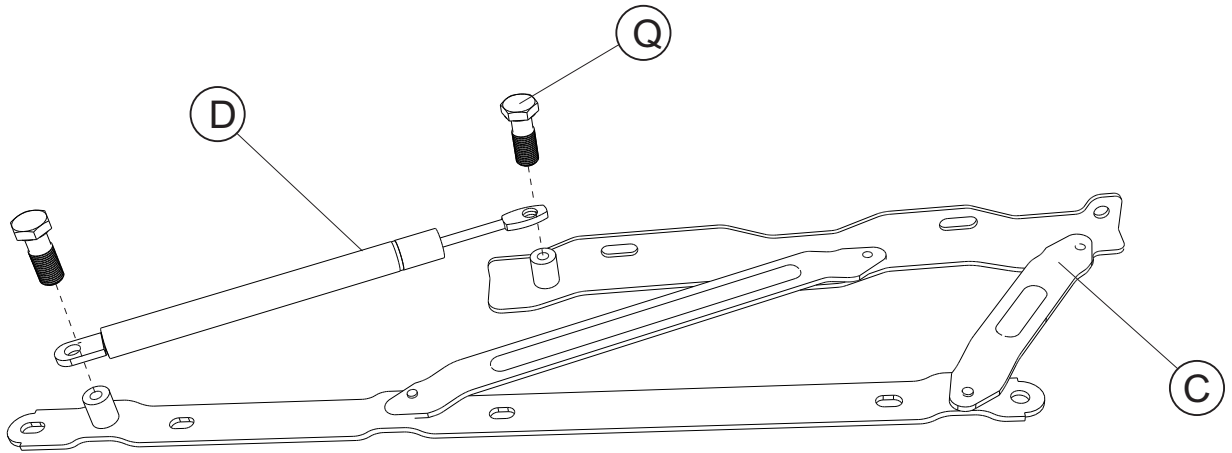
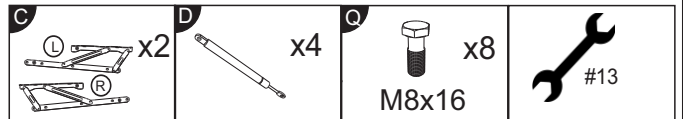


12

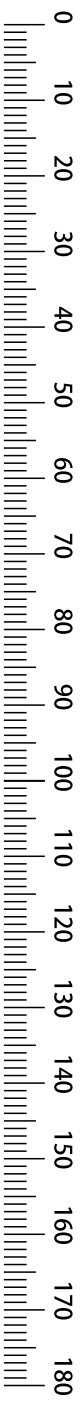
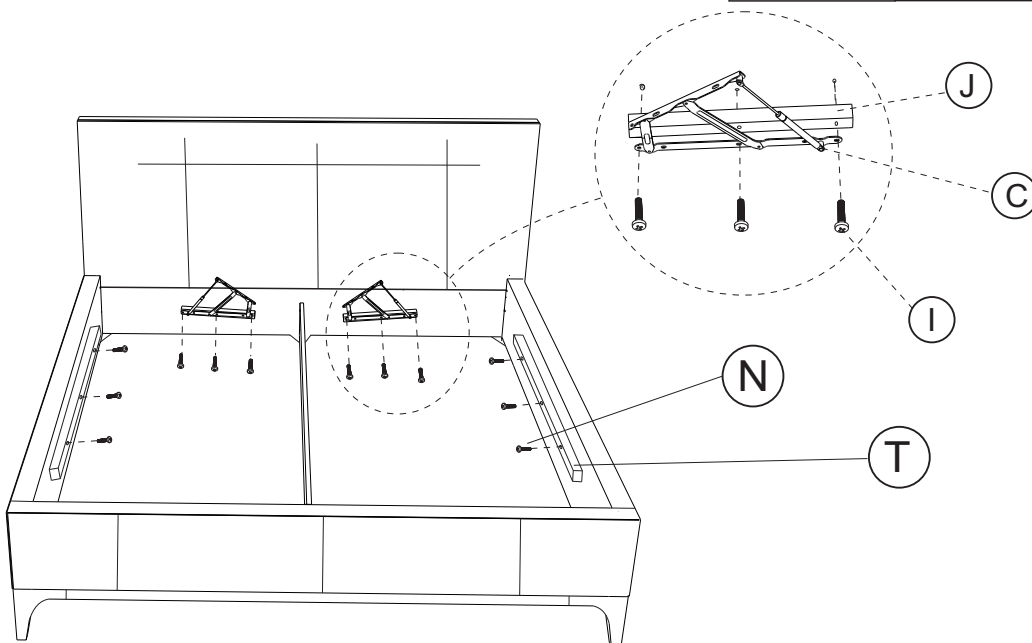
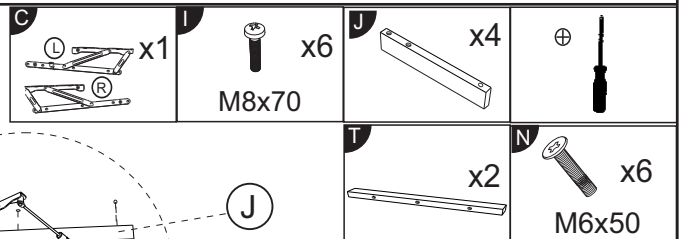


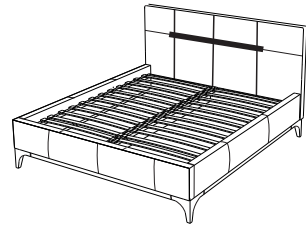


13

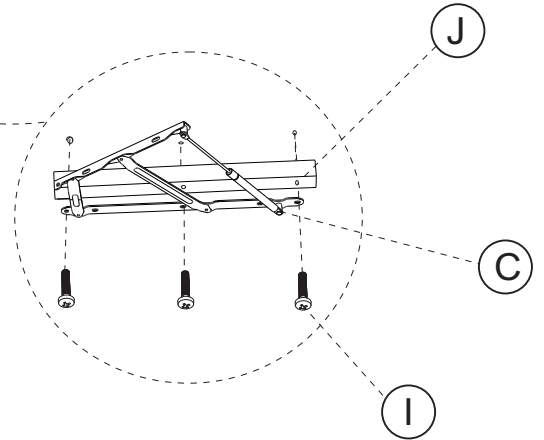
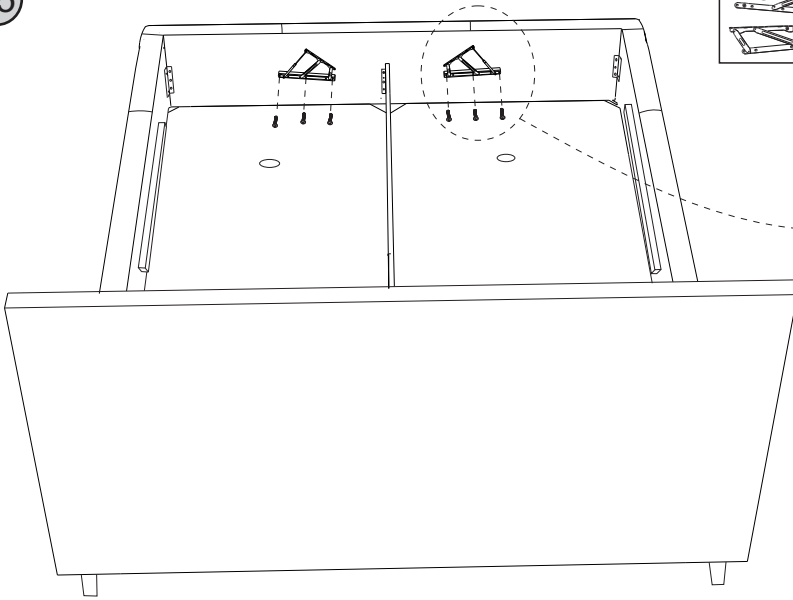
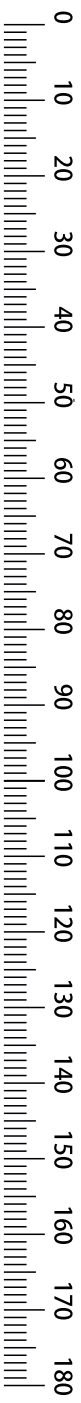
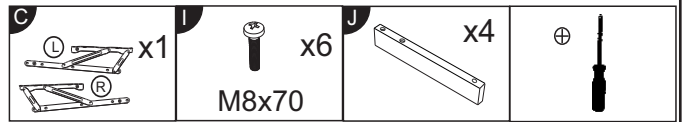


14

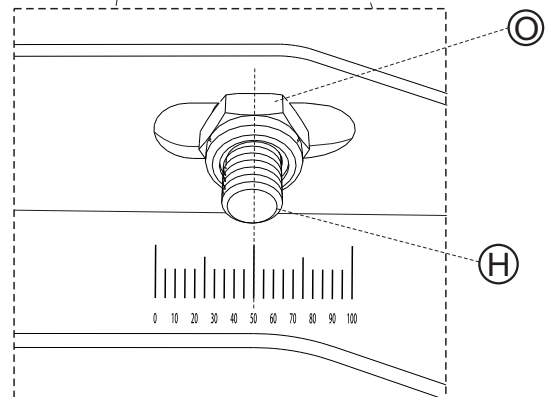
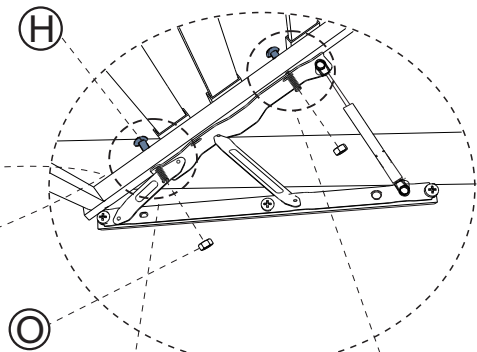
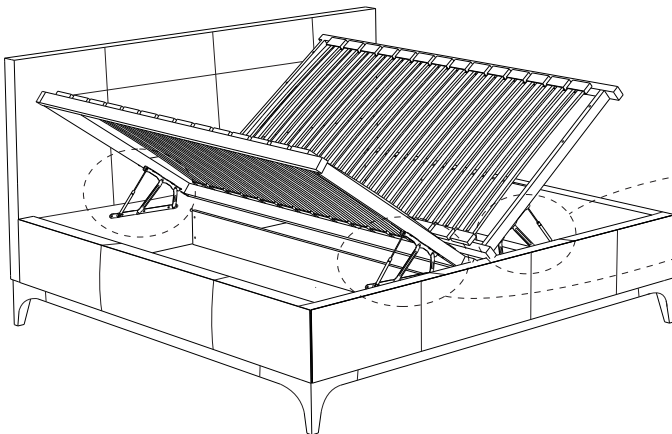




15



16

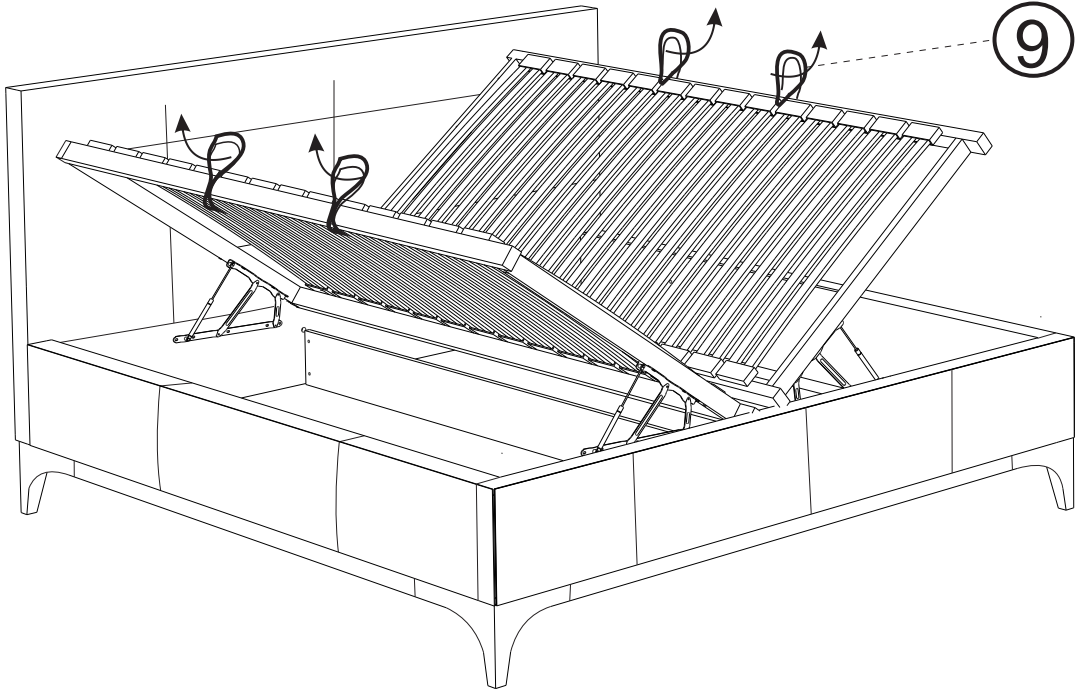




17

9

0
10
20
30
40
50
60
70
80
90
100
110
120
130
140
150
160
170
180



18

