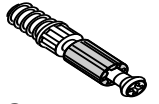



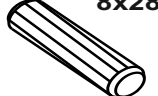
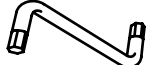

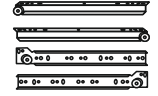
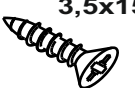
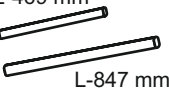




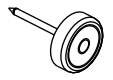



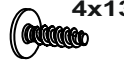



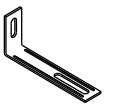
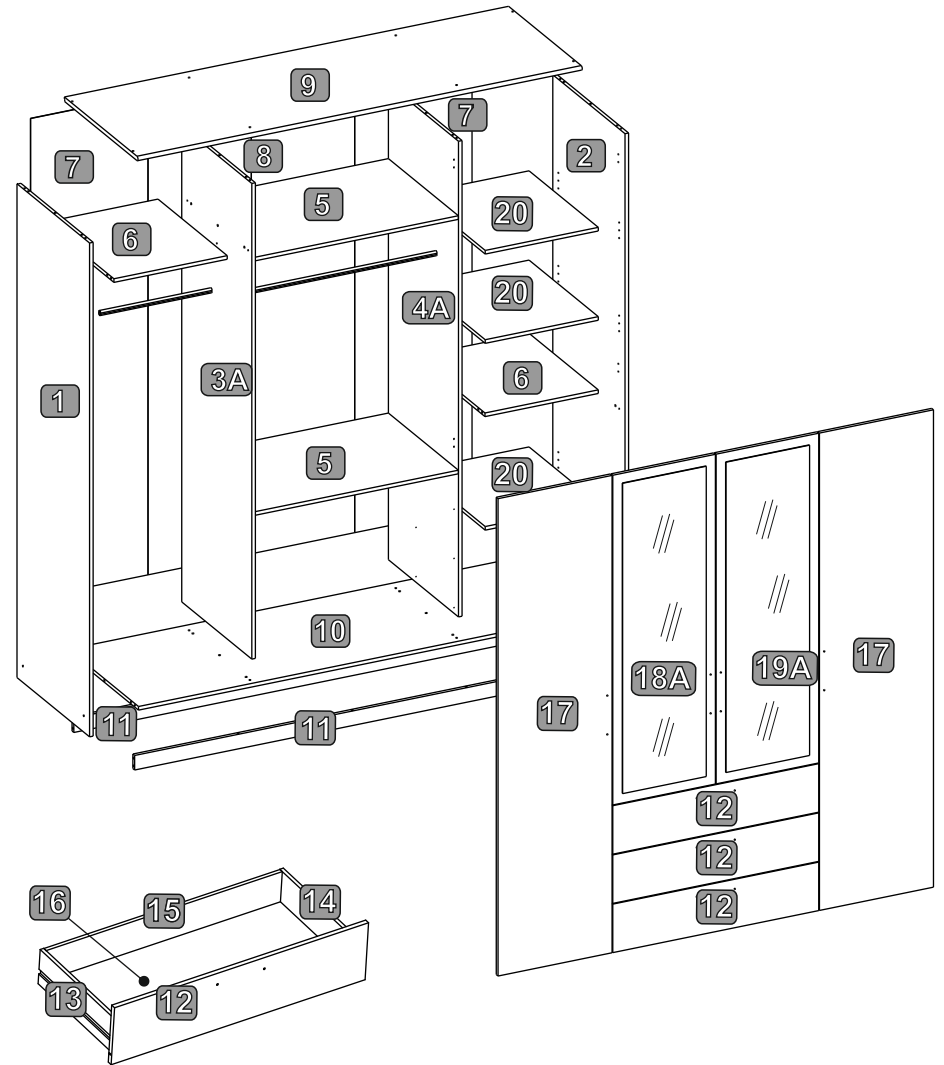
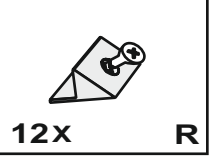
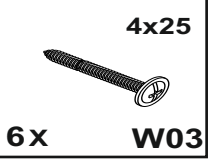
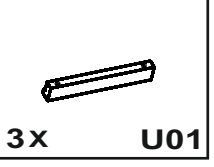
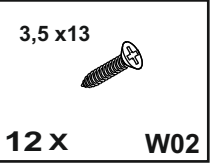
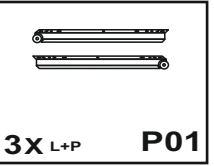
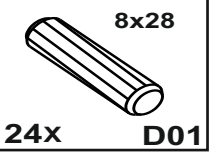
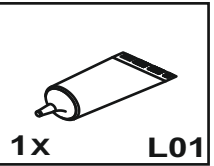
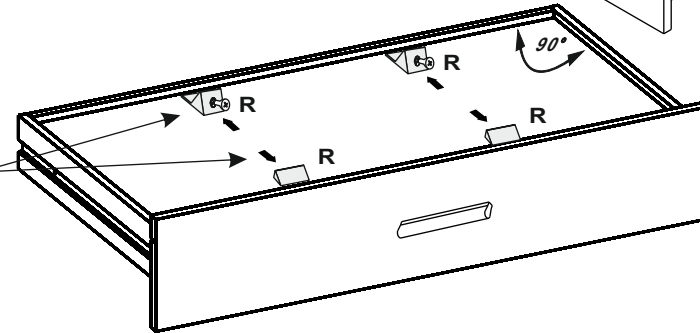
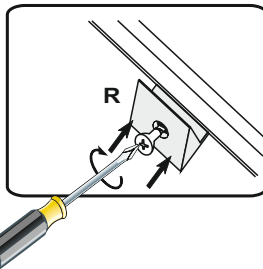
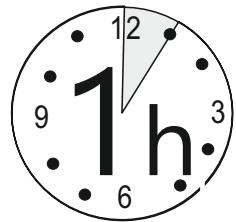
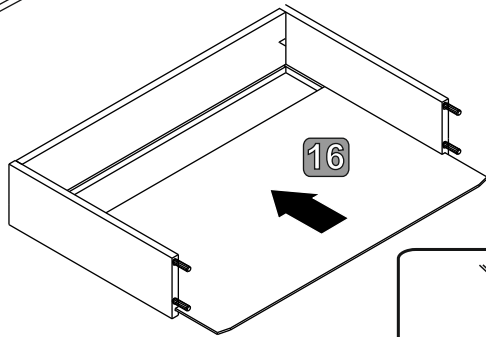
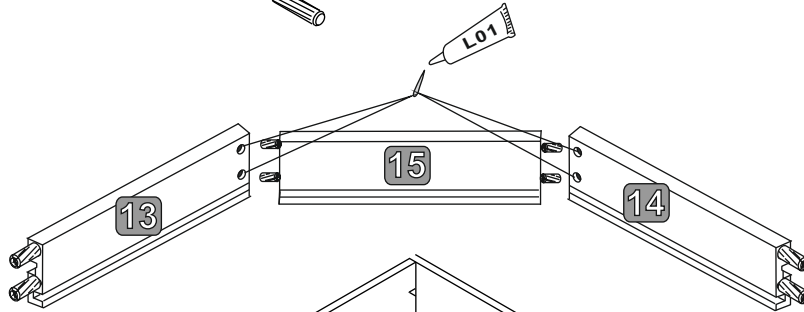
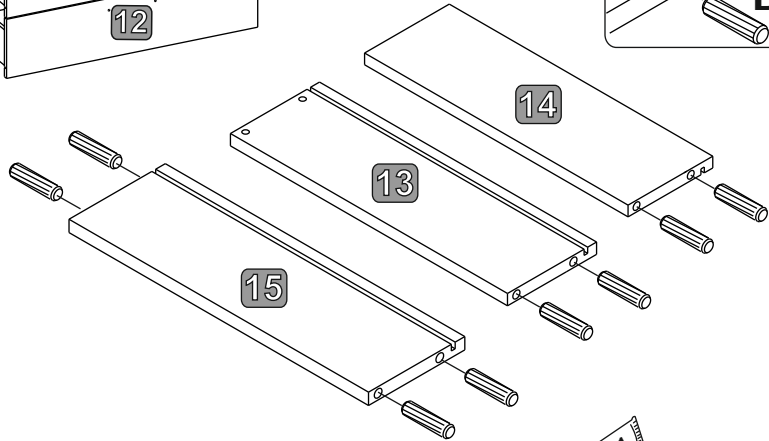
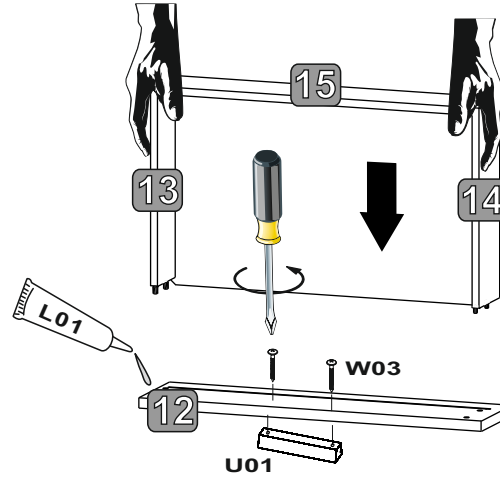
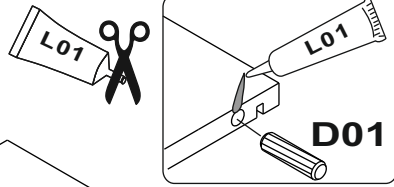
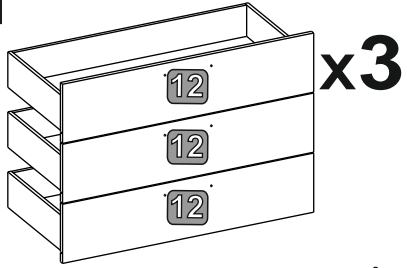
 16X T02	 16X T01	 16X W01	 6X Z01	 12X Z02
 86X D01	 1X K01	 24X W02	 3X L+P P01	 24X W01
 L-469 mm L-847 mm 2X J01	 4X E03	 12X E01	 7X U01	 14X W03
 8X S01	 70X G01	 1X L01	 12X R	 4X W07
 16X C01	 6X Z02	 1X T	 2X P02	



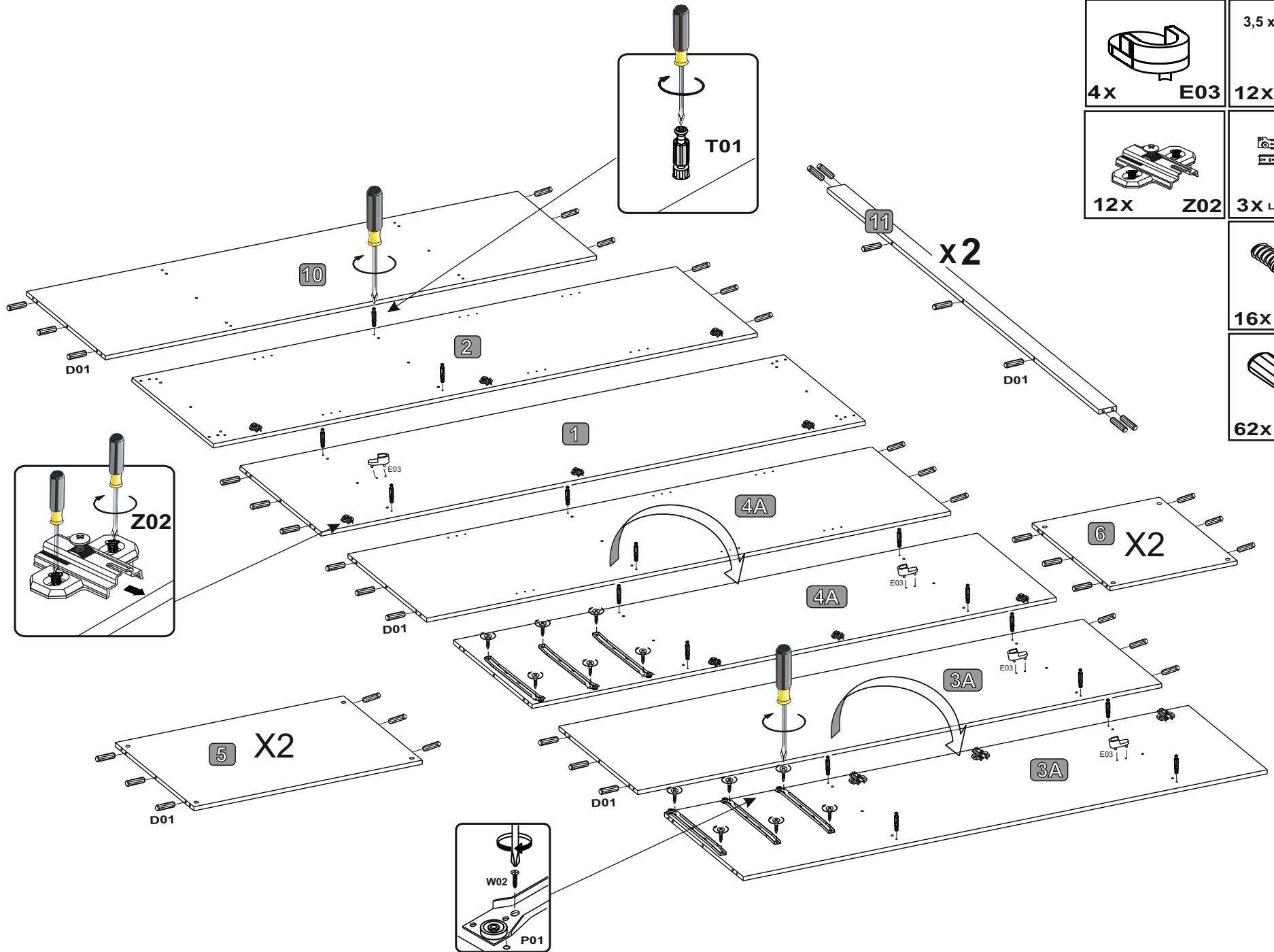
0 10 20 30 40 50 60 70 80 90 100 110 120 130 140 150 160 170 180 190 200





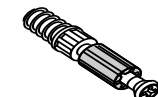
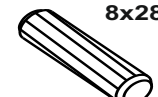


1

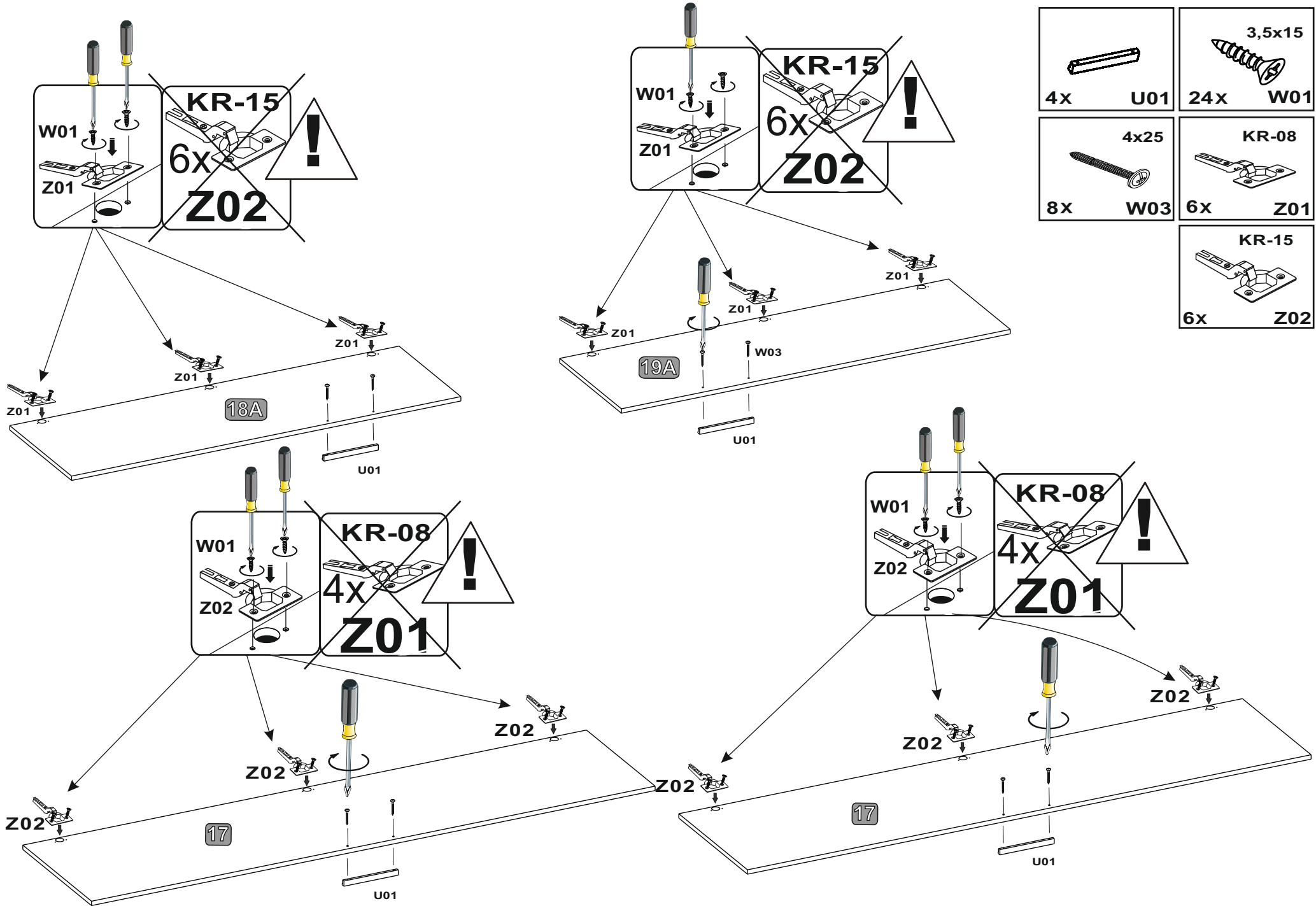


# 2

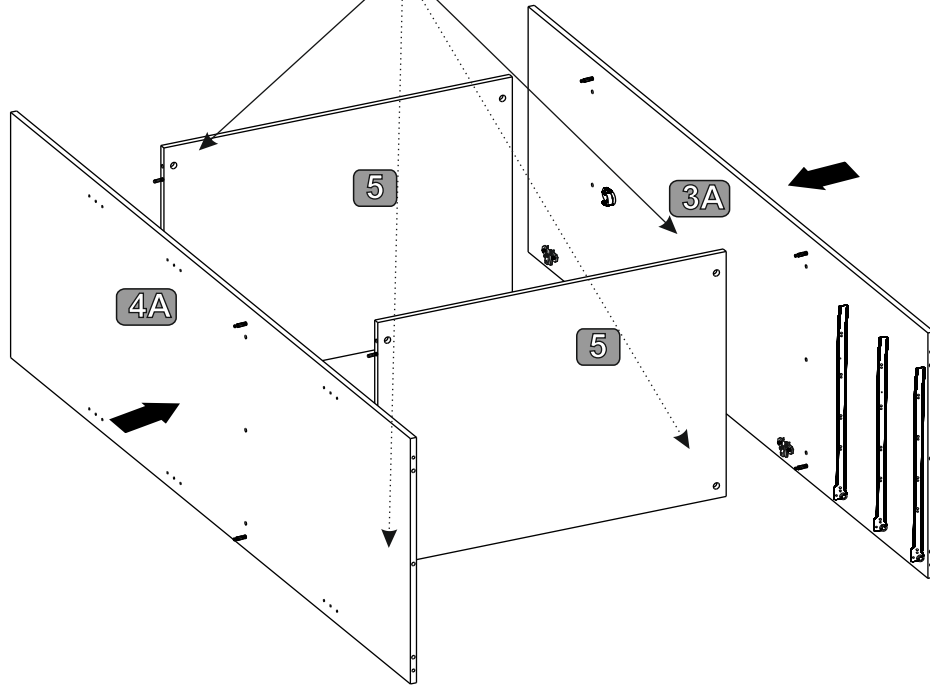
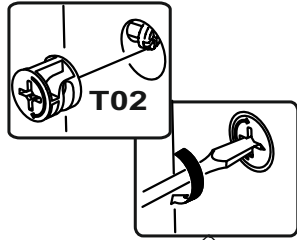
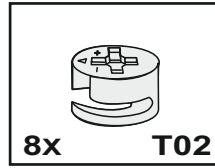


 <b>4x E03</b>	 <b>3,5 x13 12x W02</b>
 <b>12x Z02</b>	 <b>3x L+P P01</b>
 <b>16x T01</b>	
 <b>62x D01</b>	<b>8x28 D01</b>

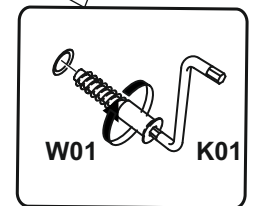
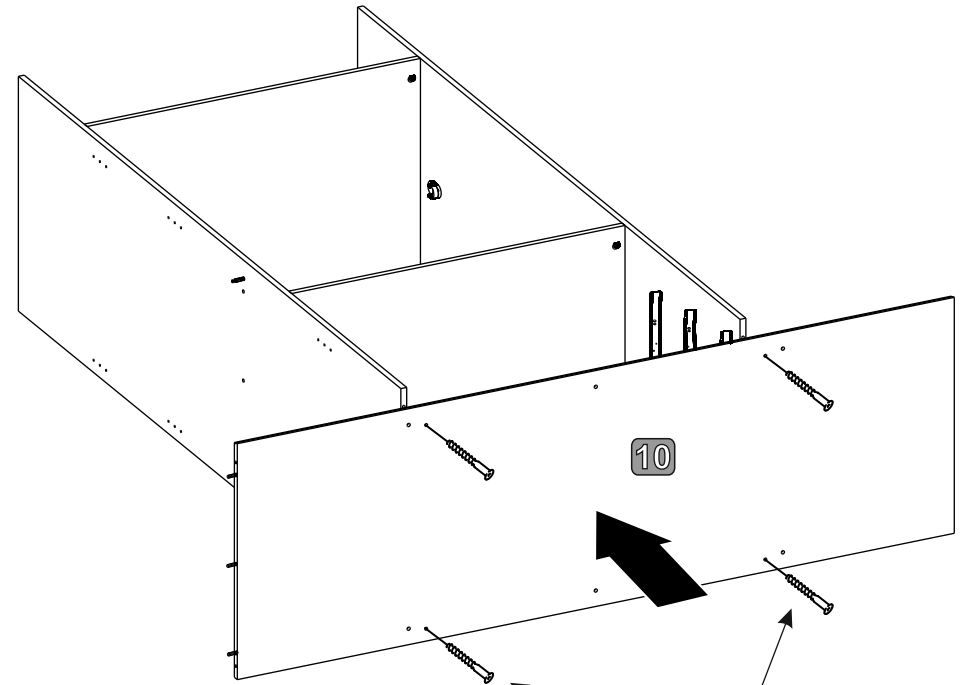
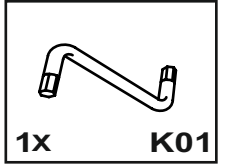
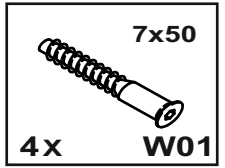
3



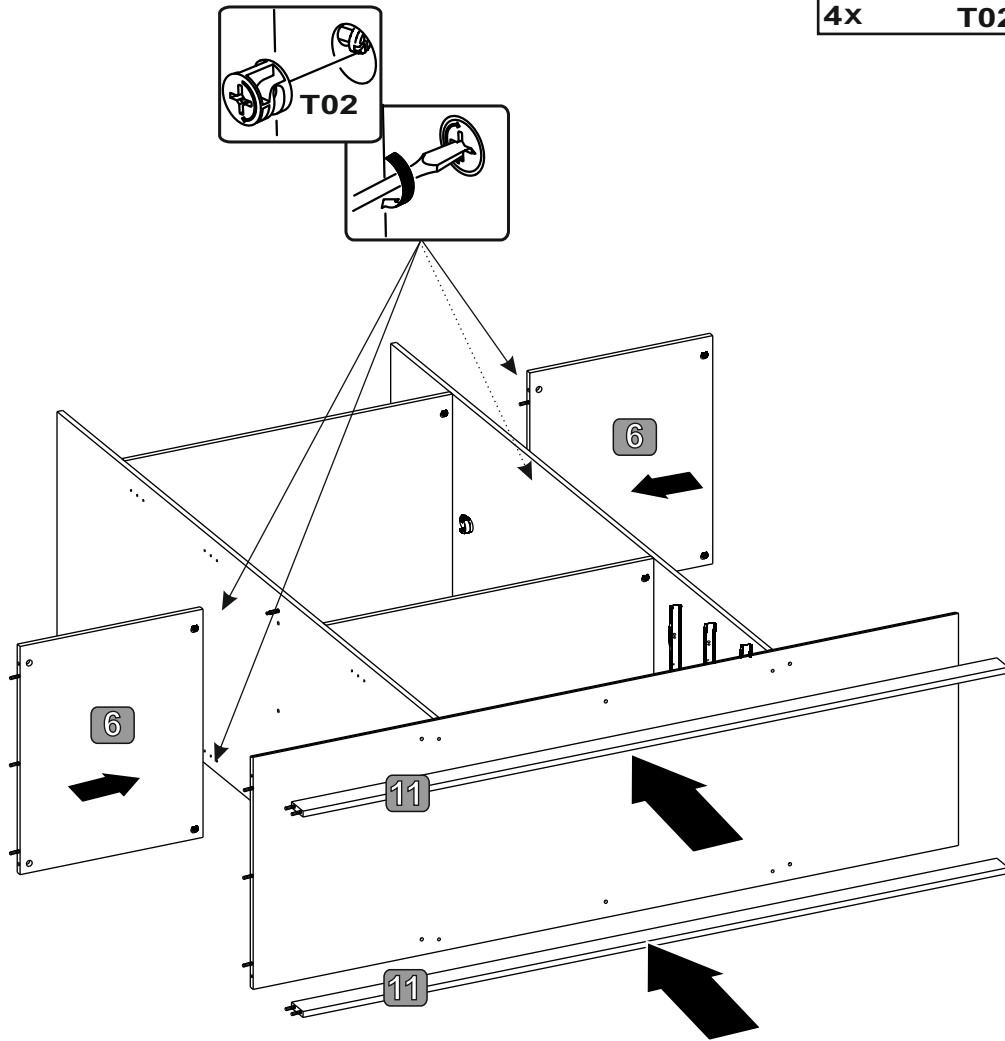
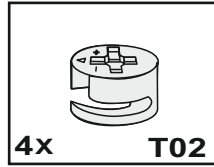
4



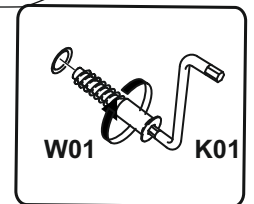
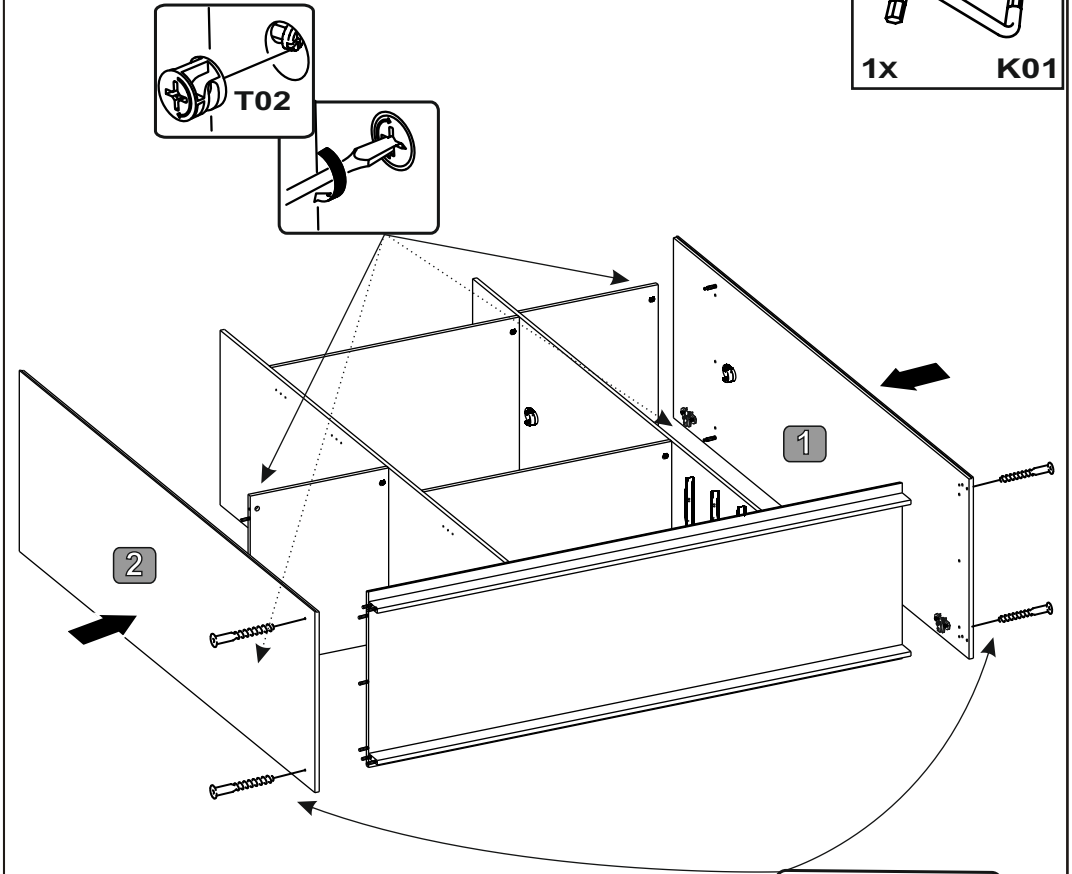
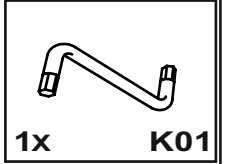
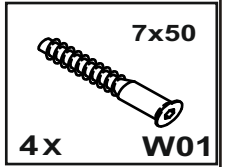
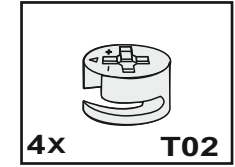
5



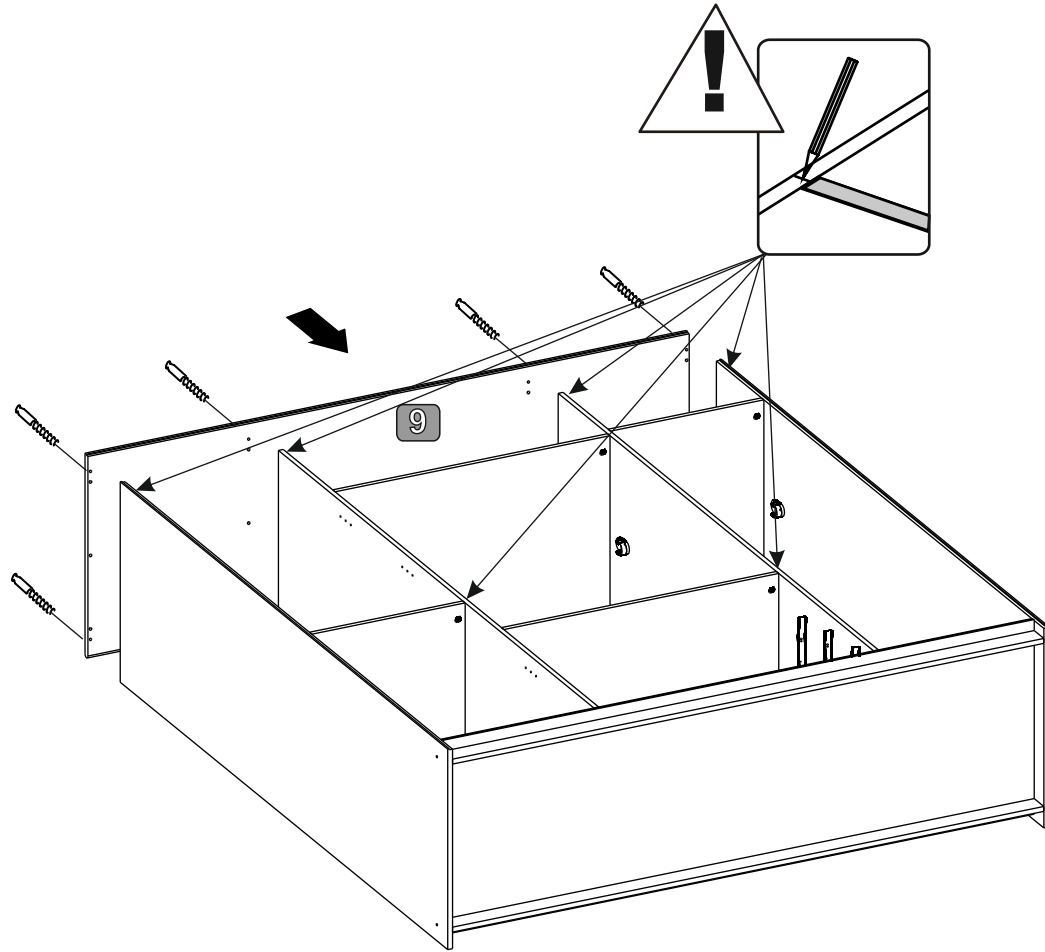
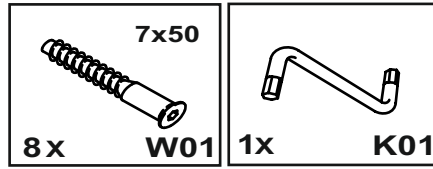
6



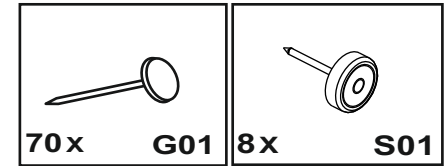
7



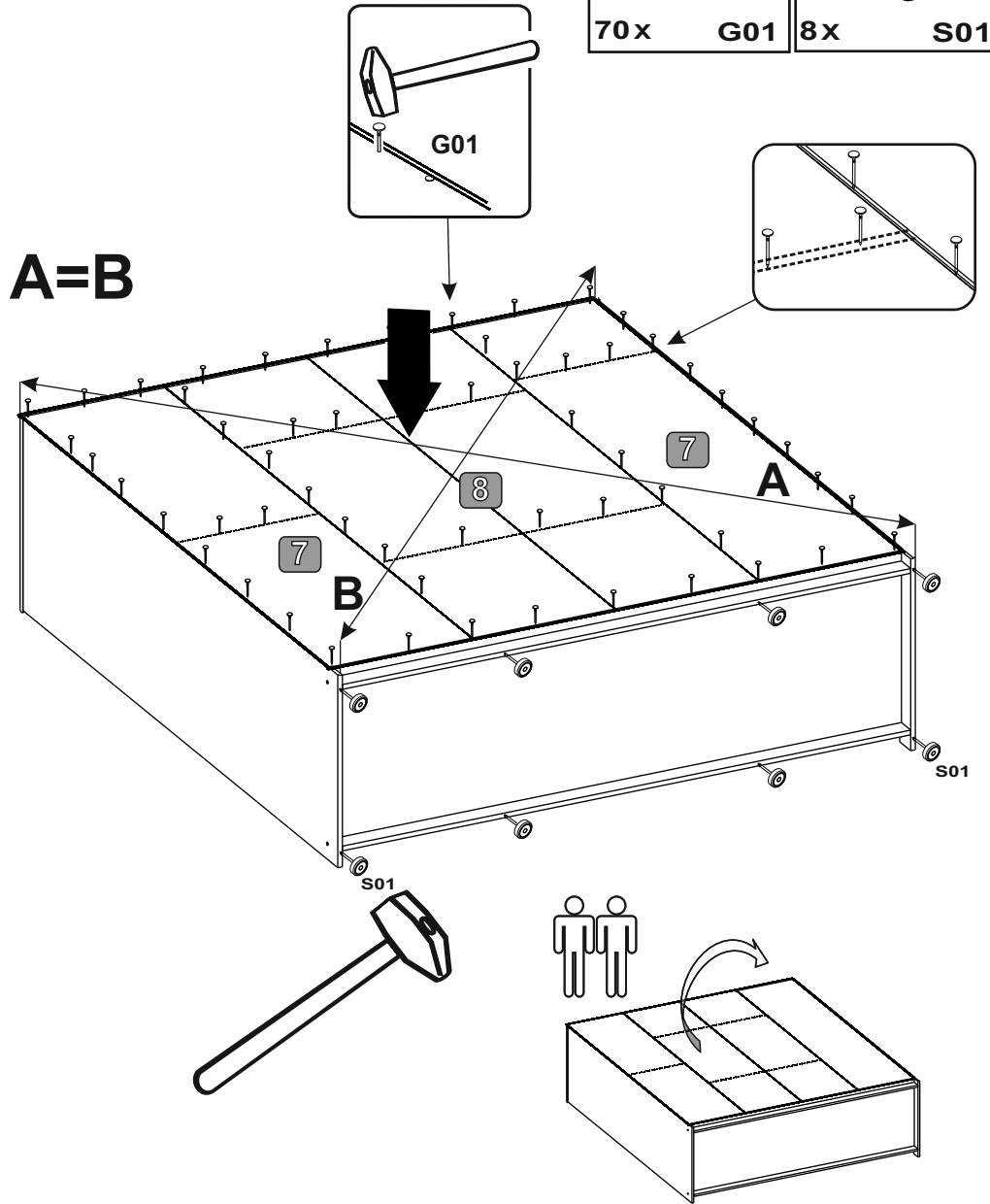
8



9



A=B





# 10

