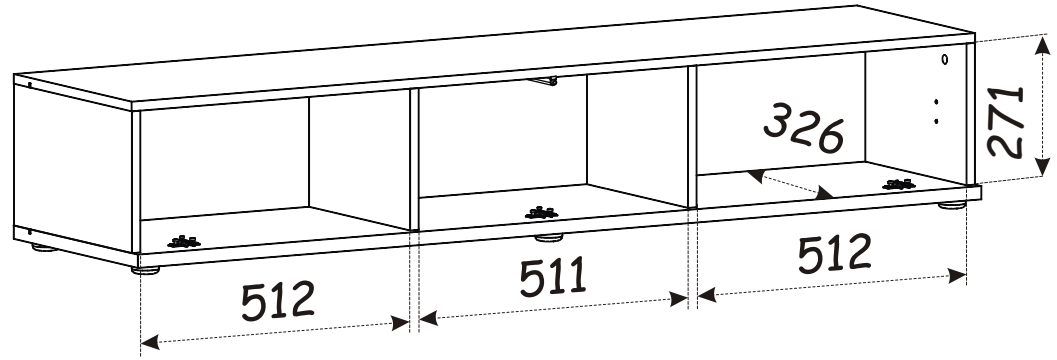
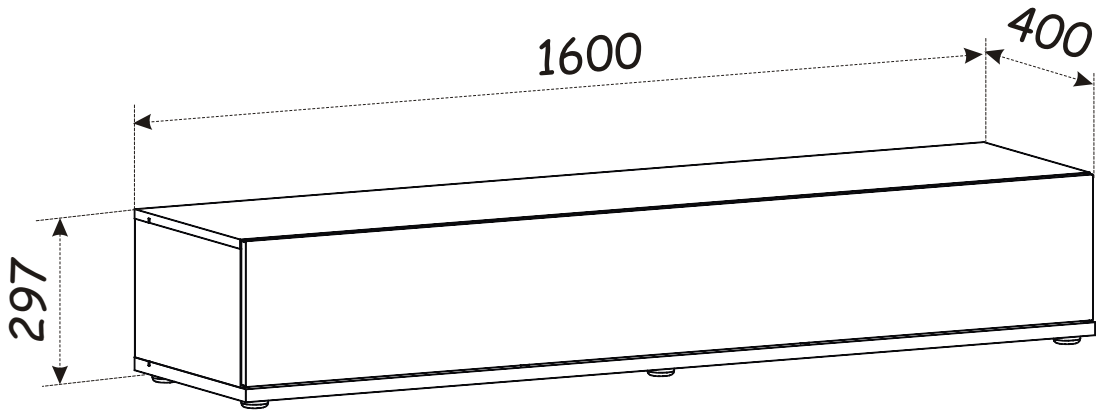
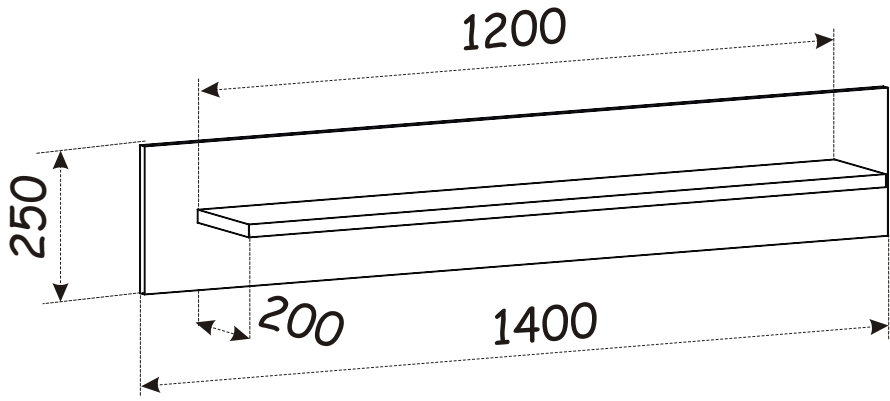
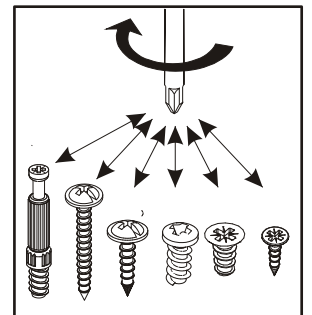
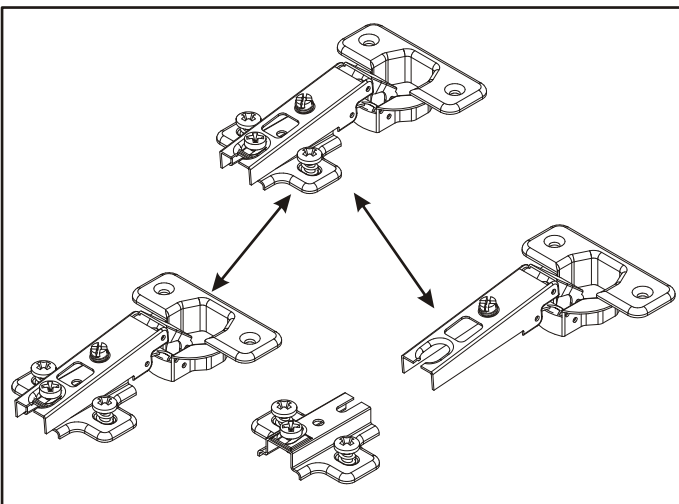
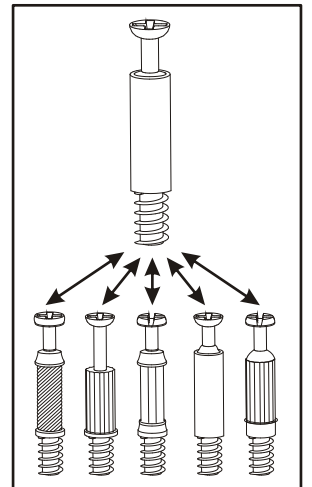
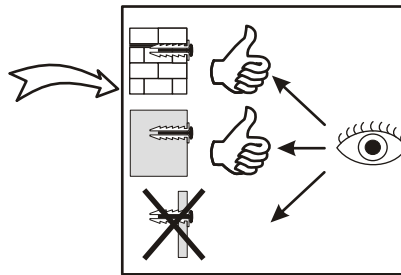
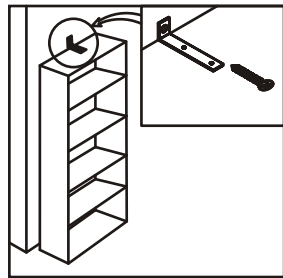
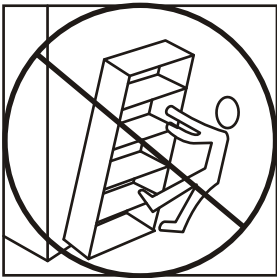
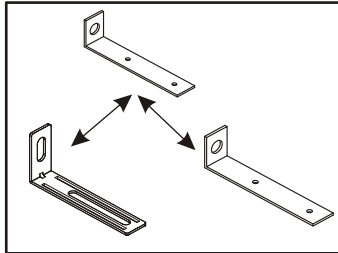
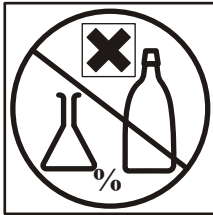
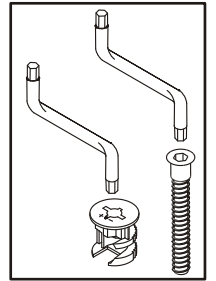
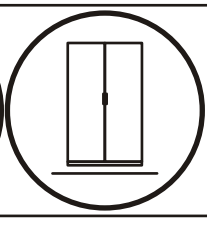
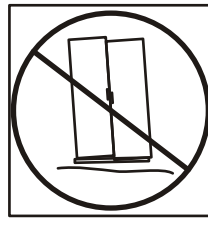
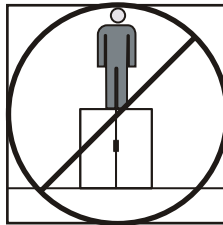
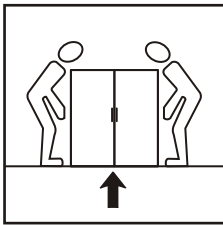
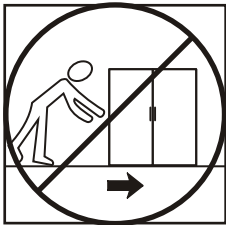
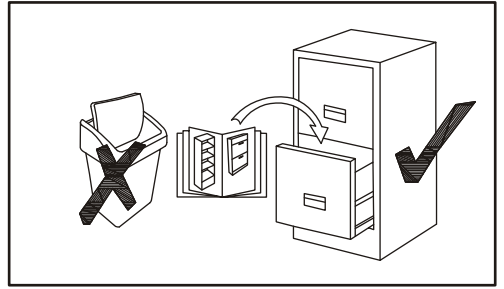
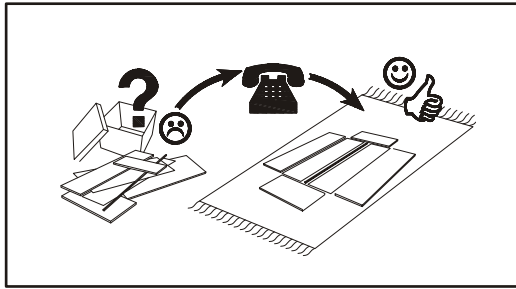
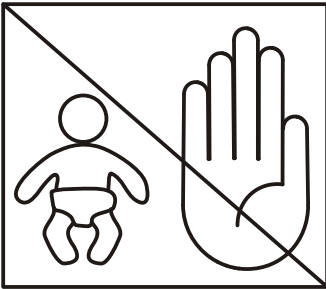
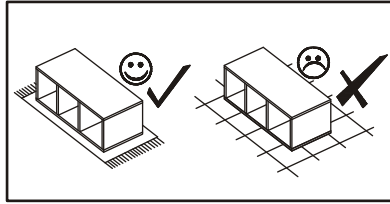
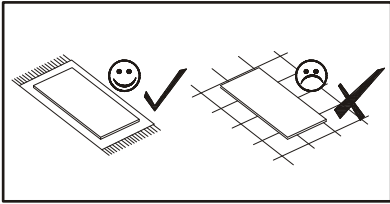
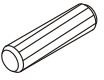
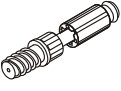
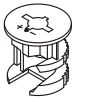



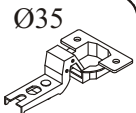
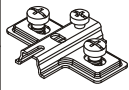
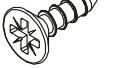

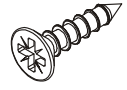
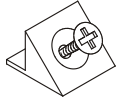
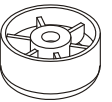
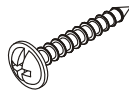
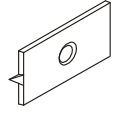

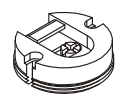
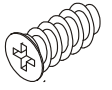
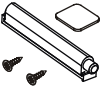
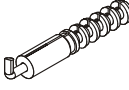
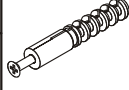
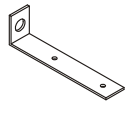

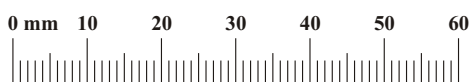


NO	DIM		COL.-NO	QTY
1	1596	246	16 1/3	1
2	234	380	16 1/3	1
3	234	326	16 1/3	2
4	234	380	16 1/3	1
5	1600	400	22 1/3	1
6	246	526	3 1/3	2
7	246	527	3 1/3	1
8	1600	380	16 1/3	1
9	1200	184	22 1/3	1
10	1400	250	16 1/3	1





A1 x20  ø8x36	B4 x8 	B5 x8  Ø15x12	G5 x8 	B11 x13  Ø7x50	G4 x13 
E25 x3  Ø35 H=16	E4 x3  H=2	D10 x14  USØ3,5x13	G21 x2 	D7 x6  USØ3x16	S1 x14 
ST7 x6  Ø50, h=25	UP11 x6  UPØ4X20	G16 x2 	UP13 x2  UPØ3x16	ZM1 x3 	D20 x6  ESØ6x9,5
OD2 x1 	KR3 x3  Ø10	KR1 x1 	L1 x1 	G2 x1 	



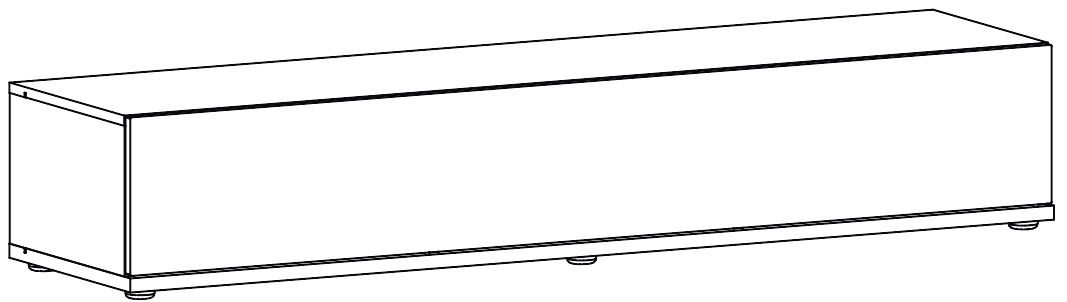
1 - 4

70

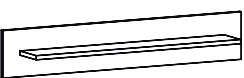


5 - 15

30

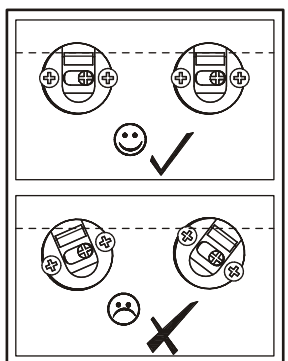
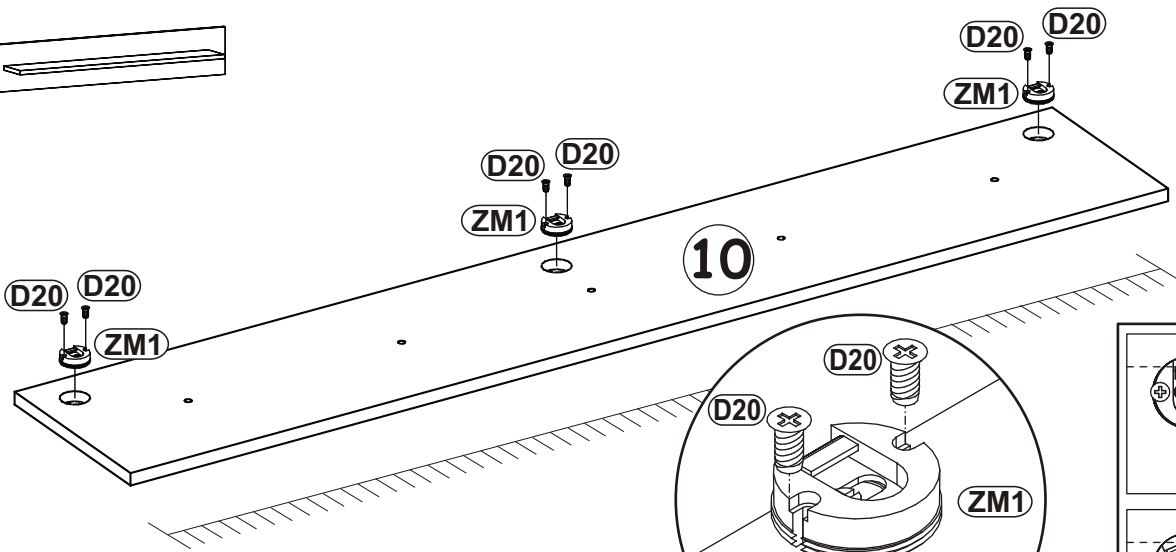


1

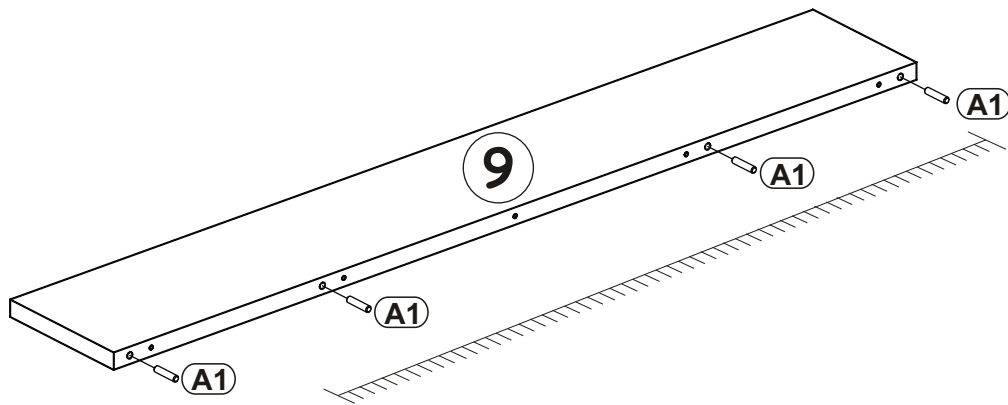


ZM1	
x3	

D20	
x6	ESØ6x9,5



2

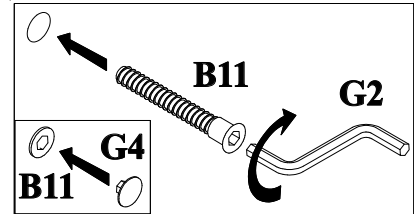
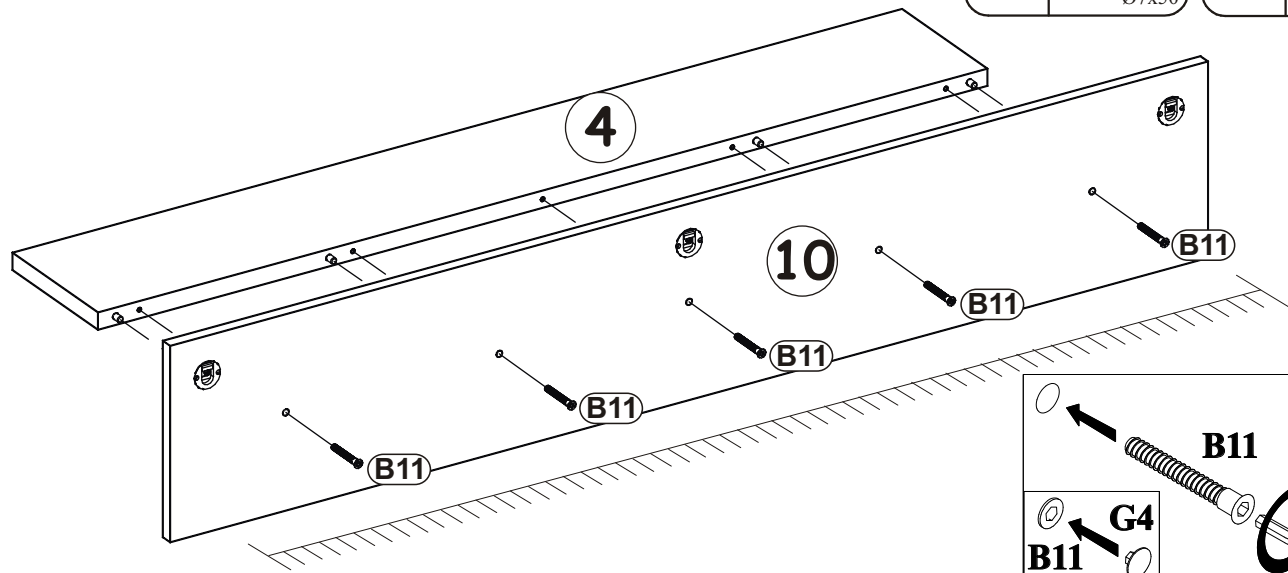


A1	
x4	ø8x36

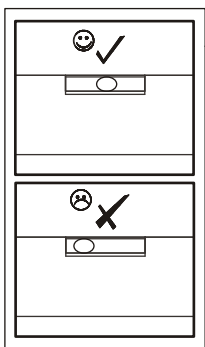
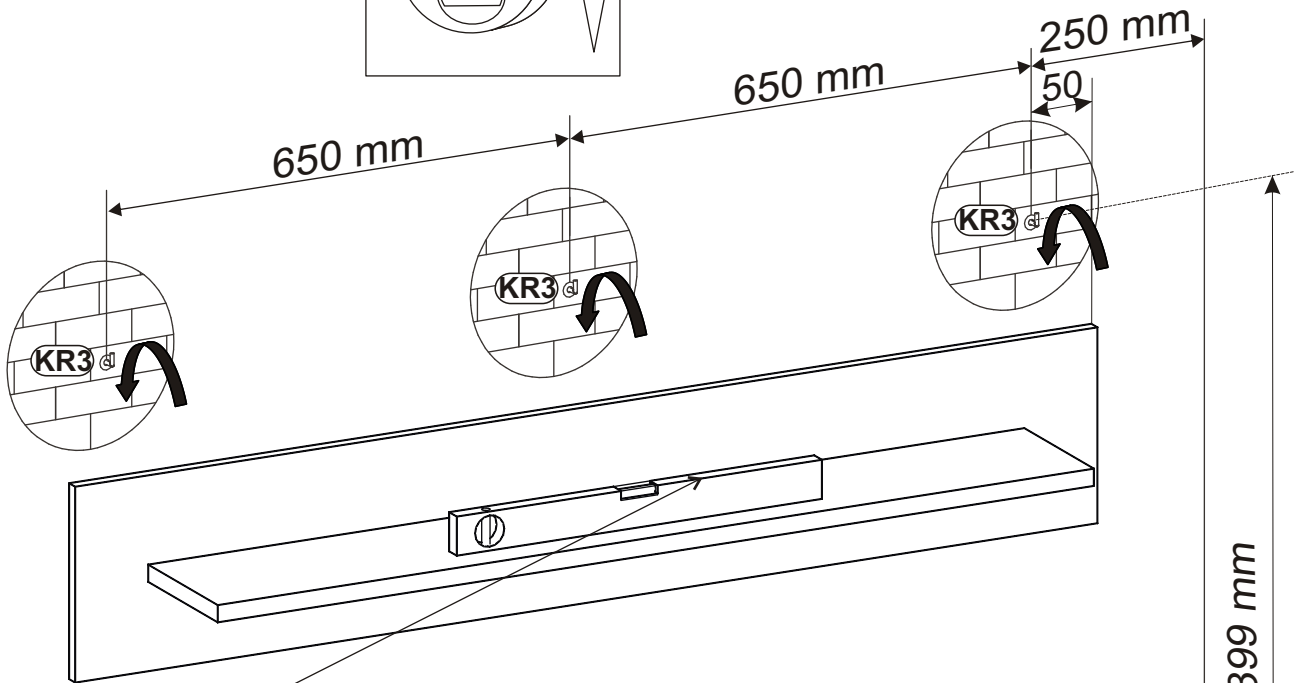
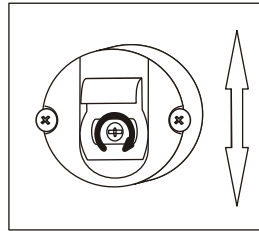
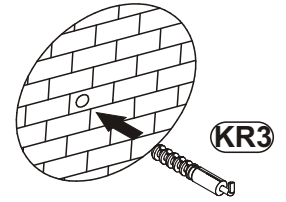
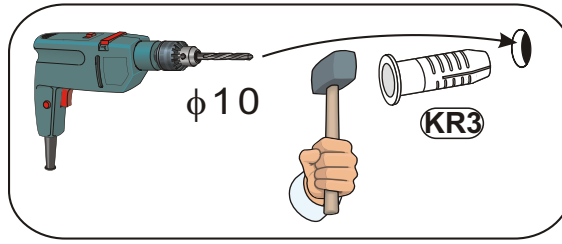
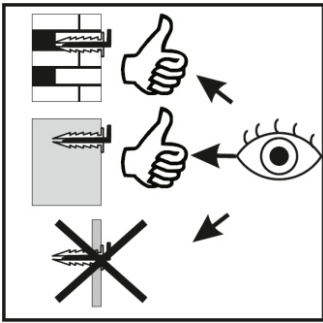
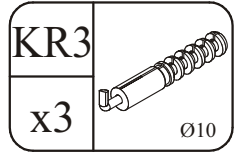
3

B11	
x5	Ø7x50

G4	
x5	



4

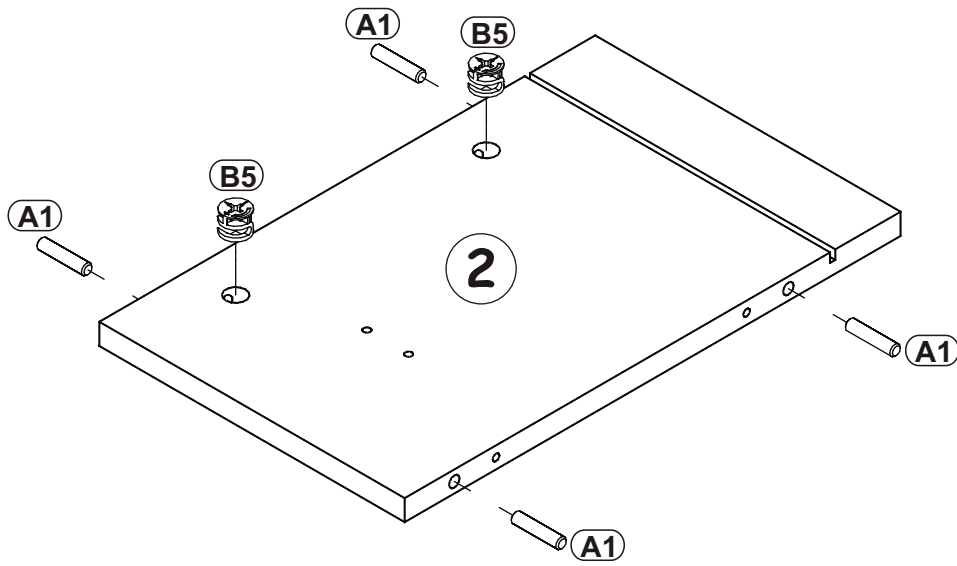
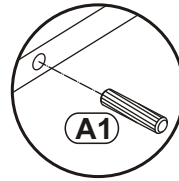
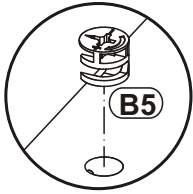
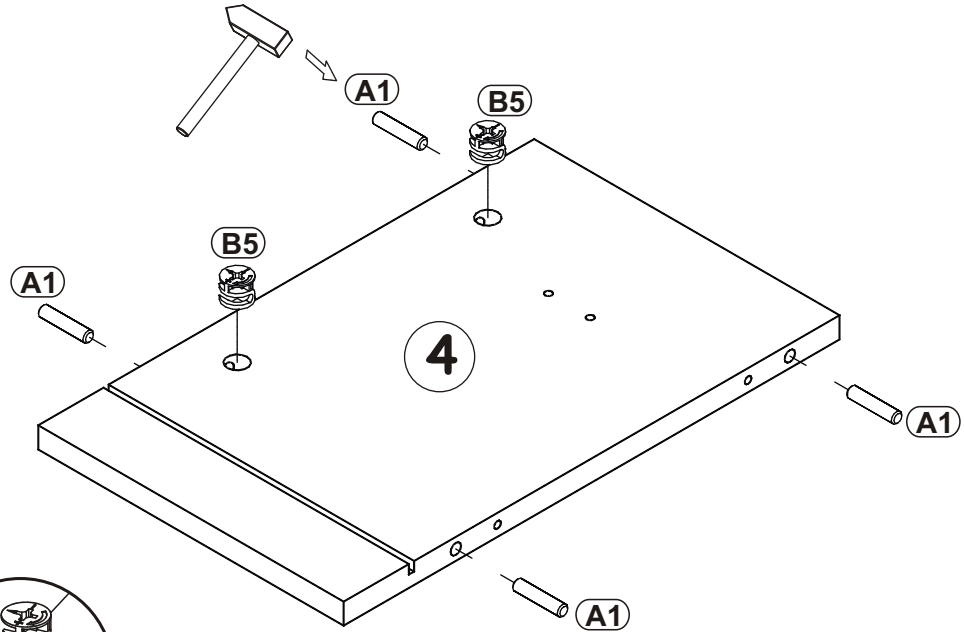


5



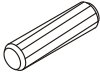

A1	
x8	ø8x36

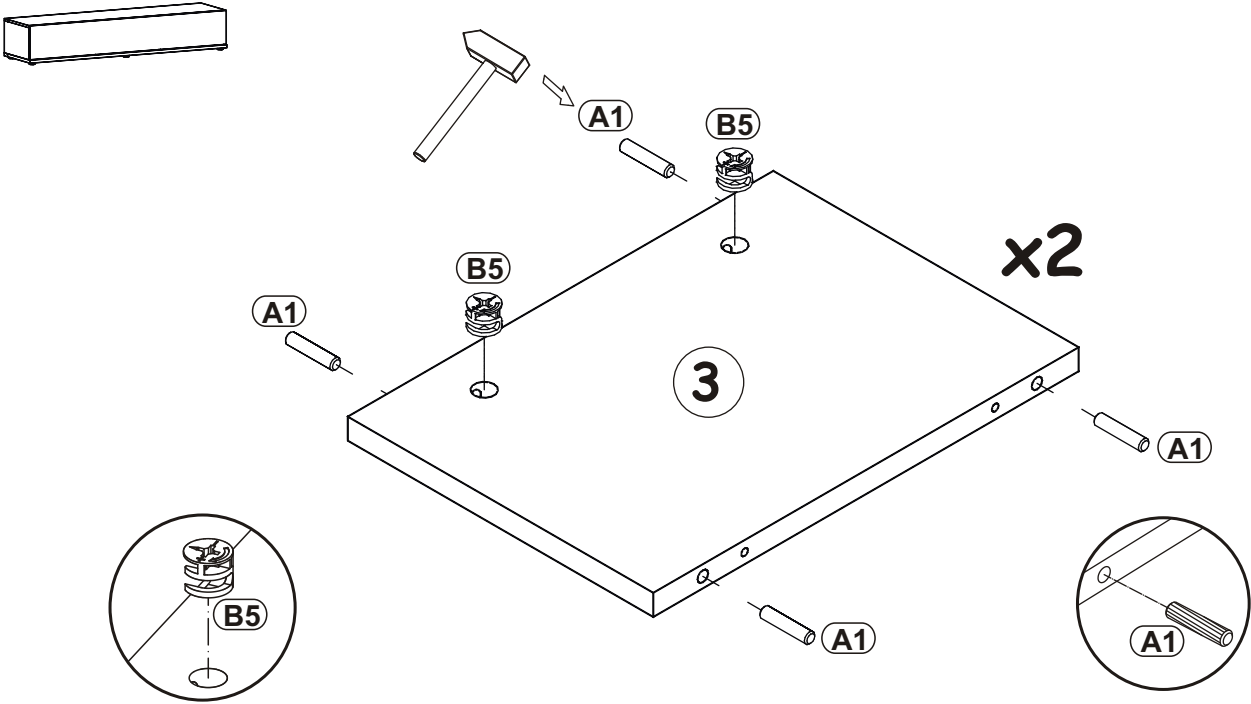
B5	
x4	Ø15x12



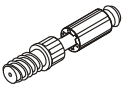


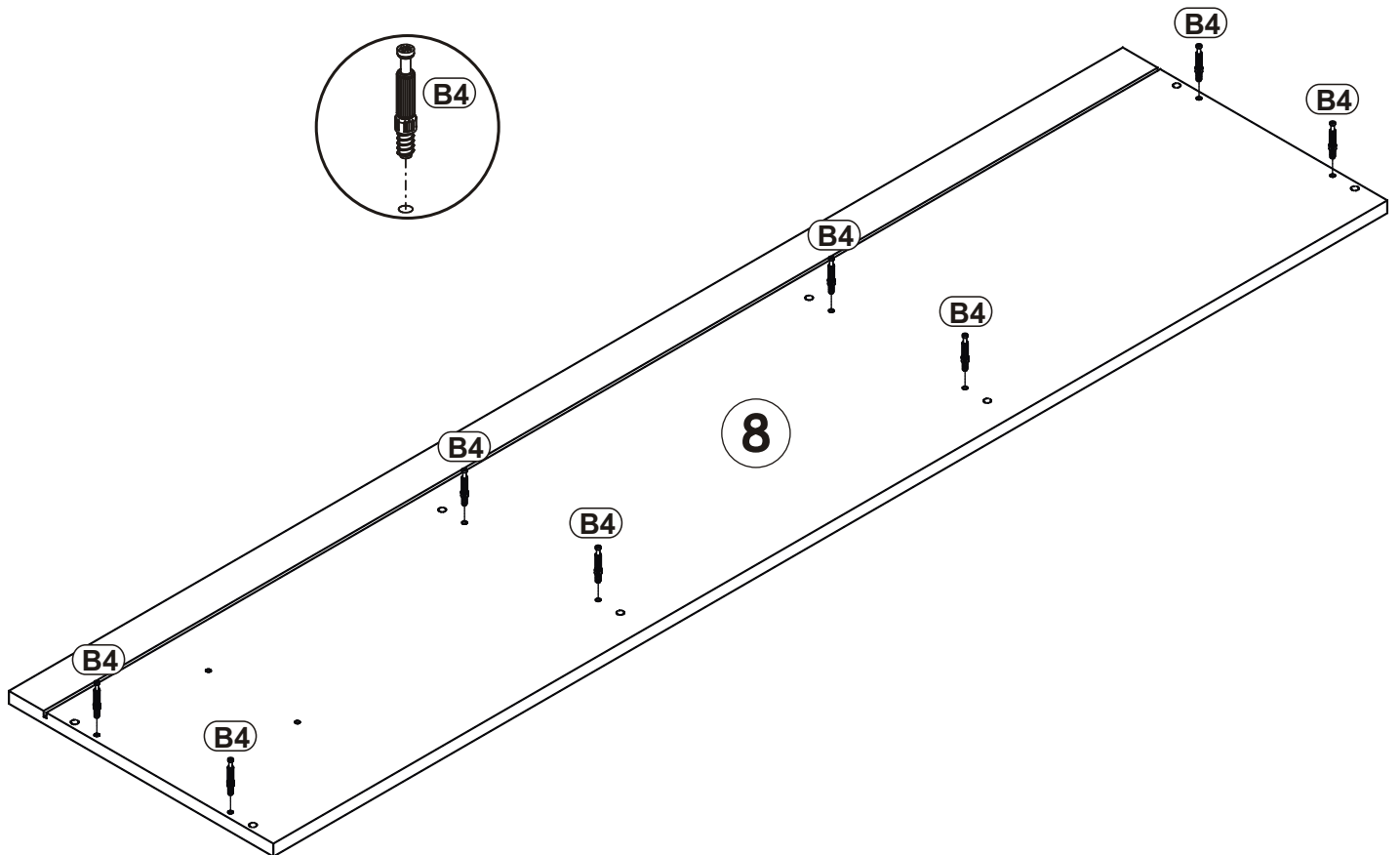
6

A1		B5	
x8	ø8x36	x4	Ø15x12



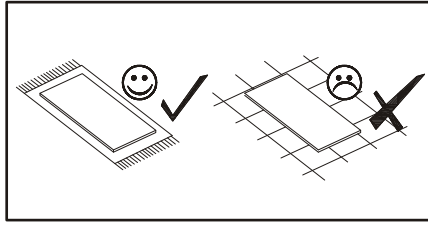
7

B4	
x8	

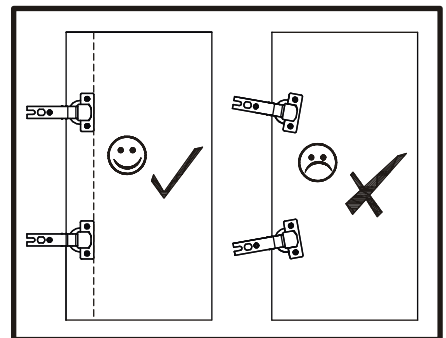
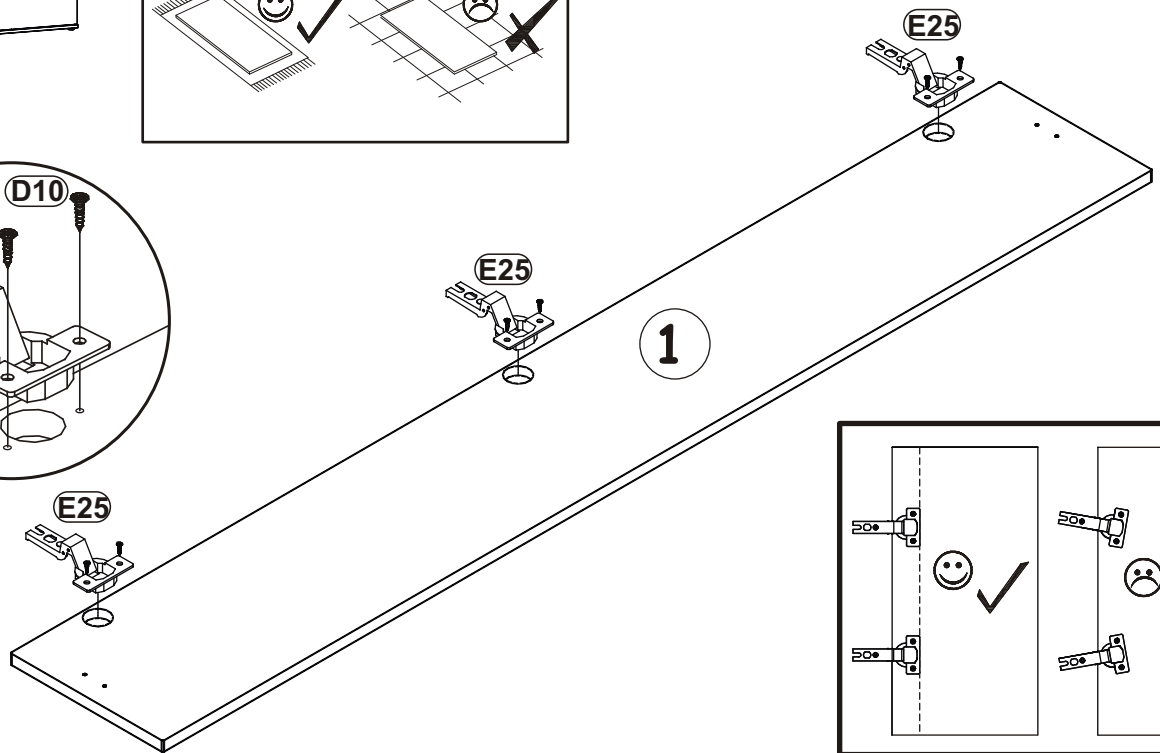
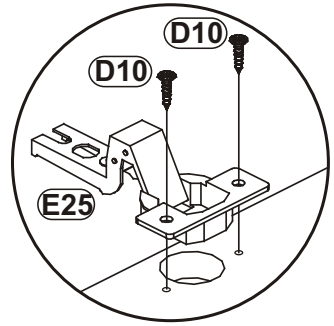




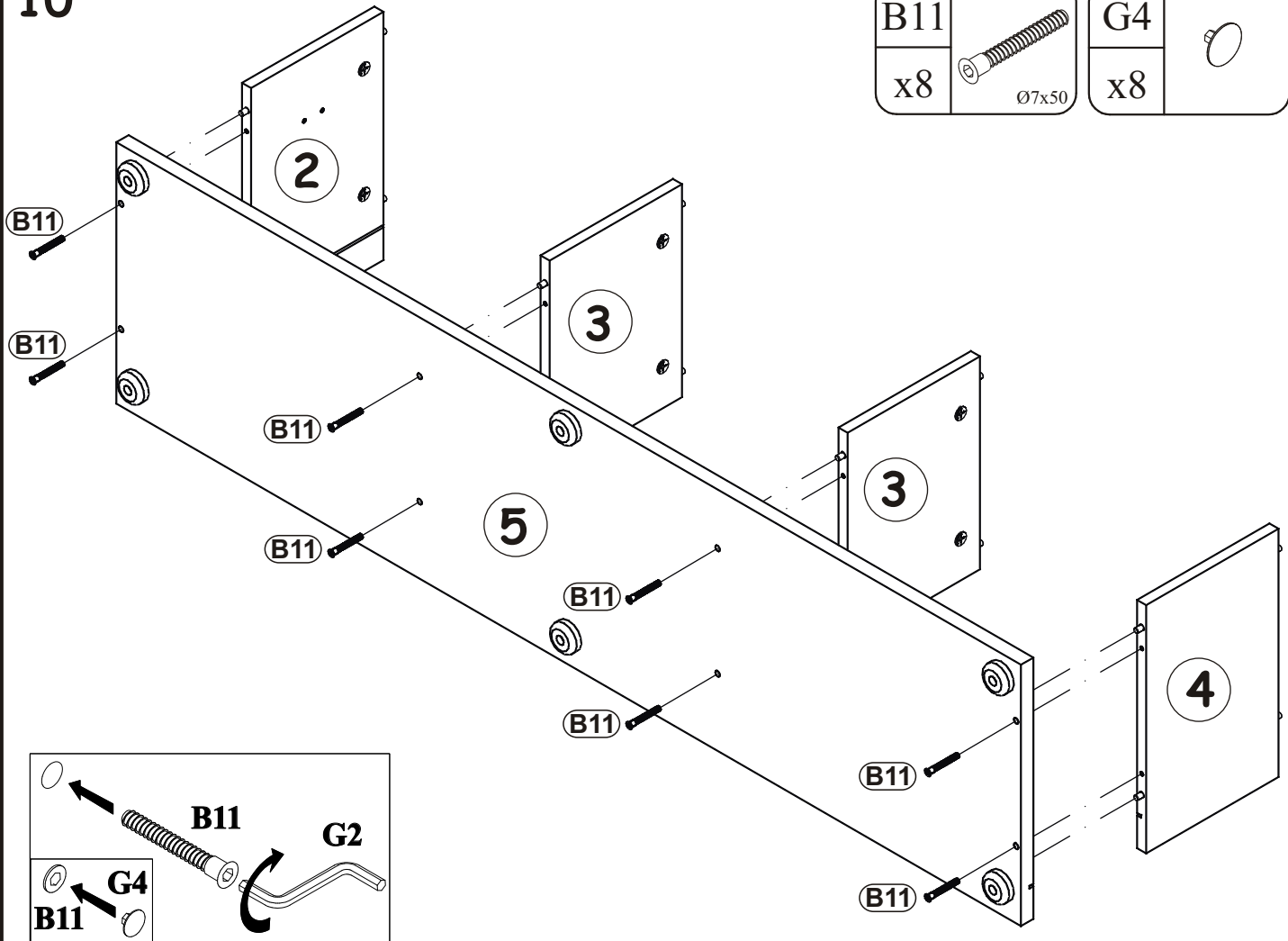
9



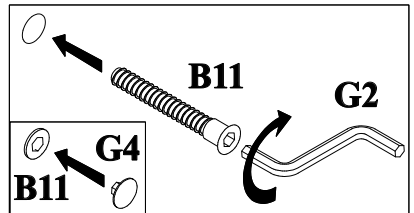
E25	Ø35 H=16	D10	USØ3,5x13
x3		x6	



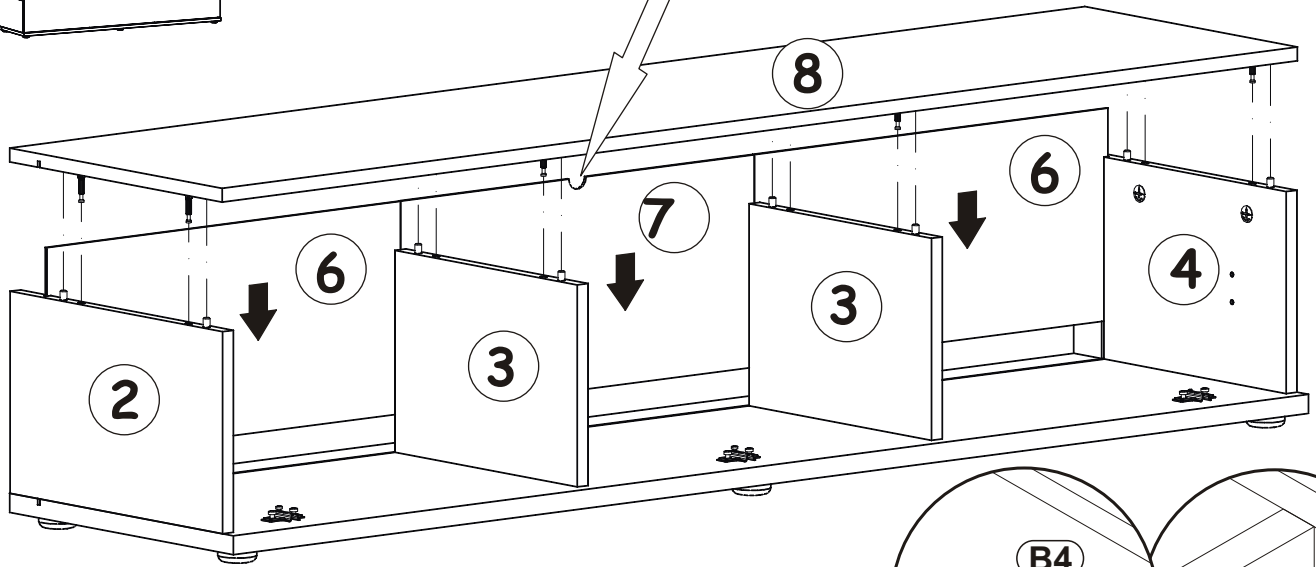
10



B11		G4	
x8		Ø7x50	

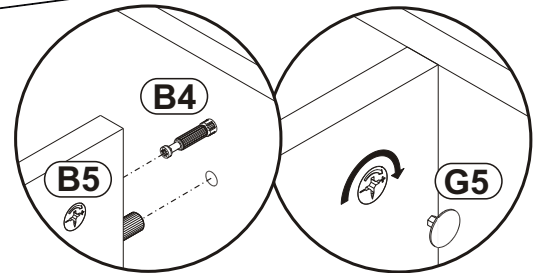


11



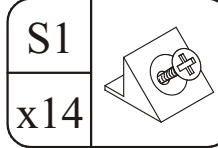
G5

x8

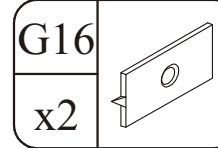


12

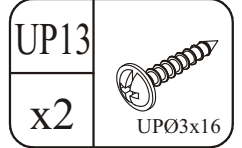
X=y 90°



x14

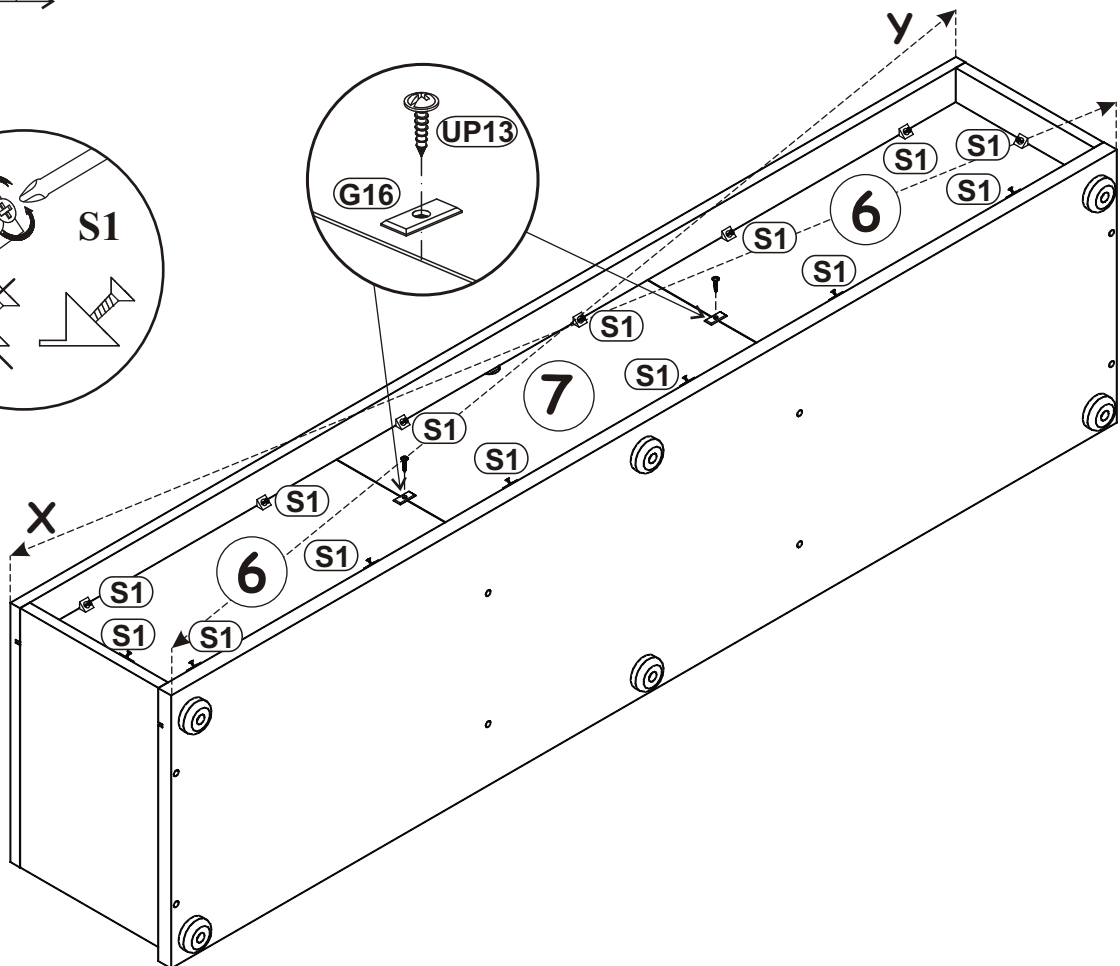
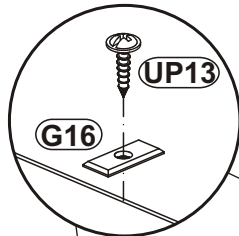
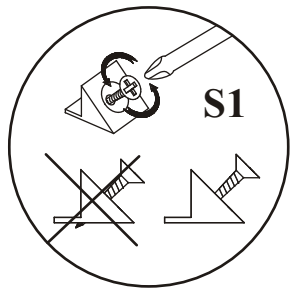


x2



x2

UPØ3x16

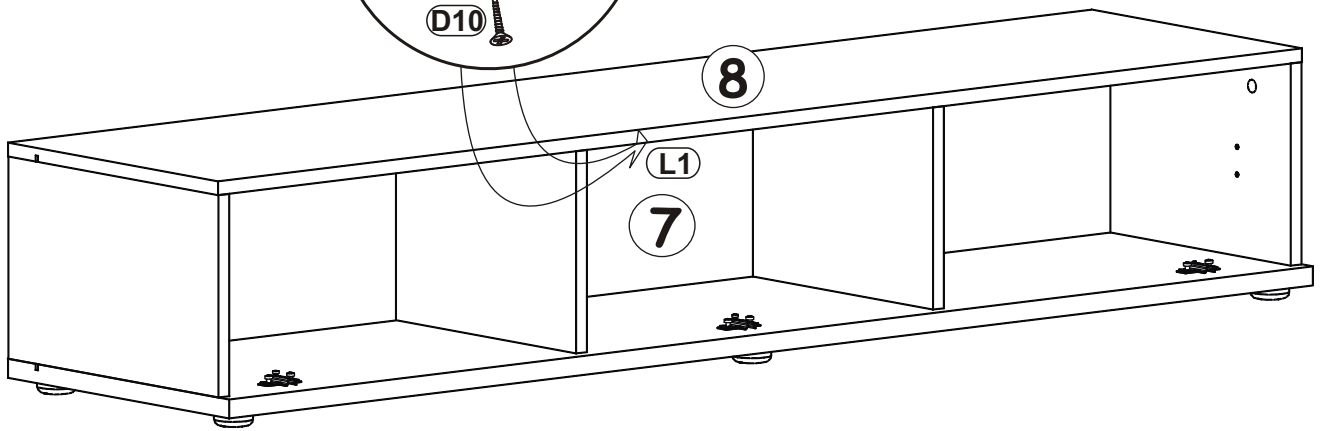
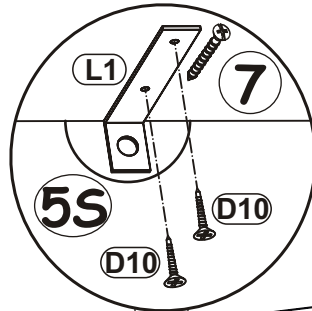
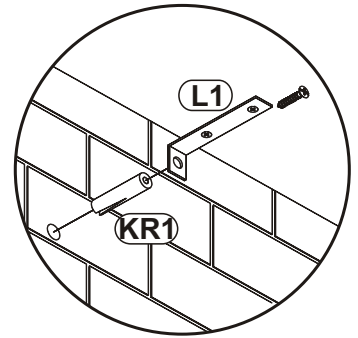
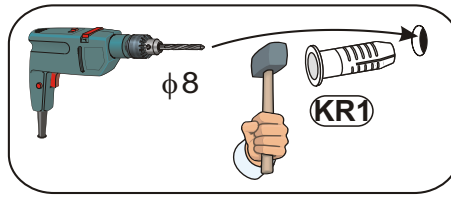
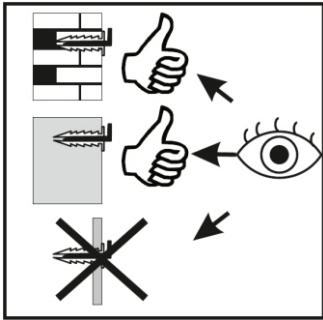


13

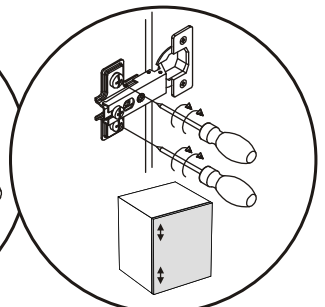
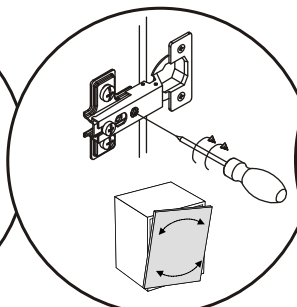
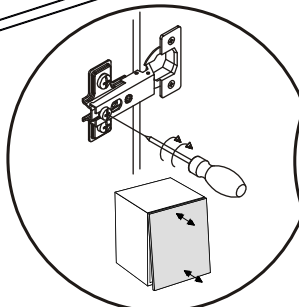
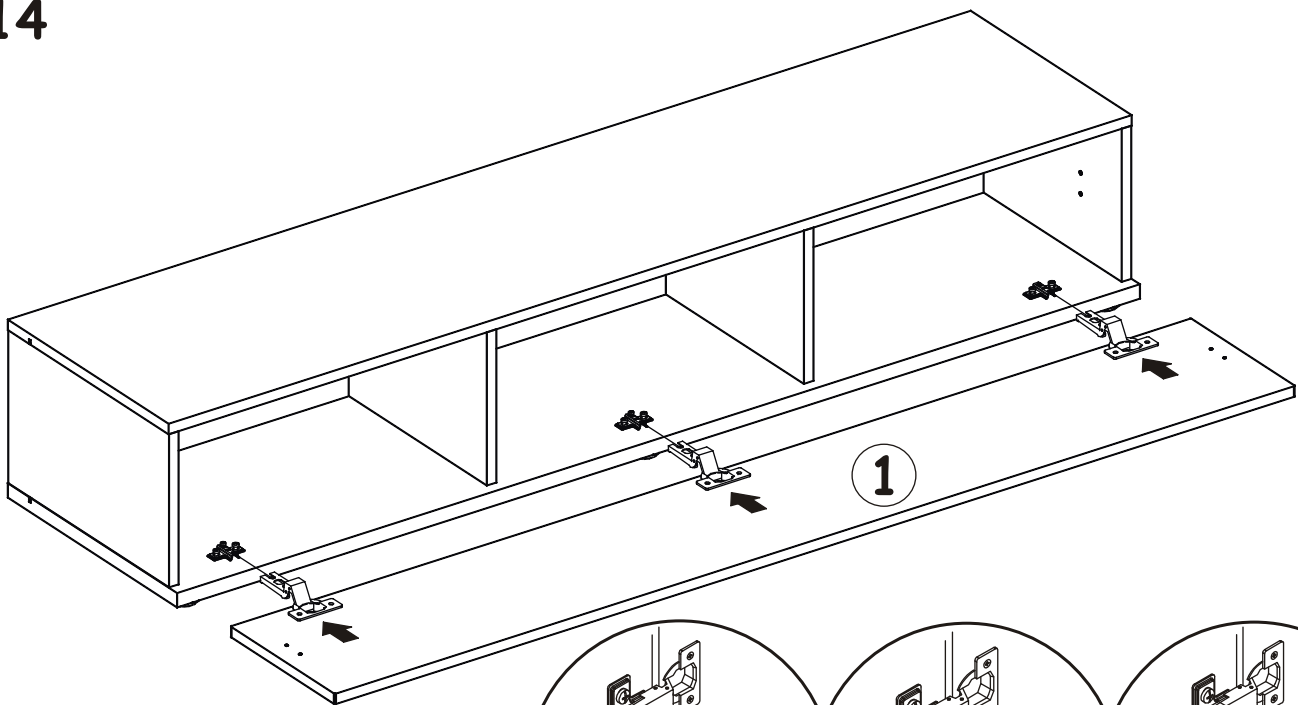
L1	
x1	

KR1	
x1	

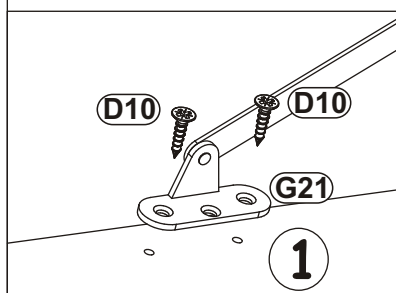
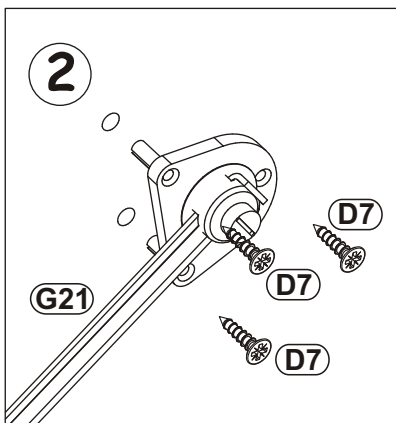
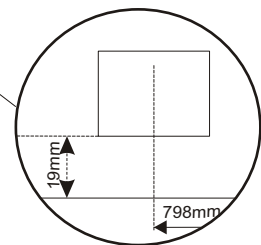
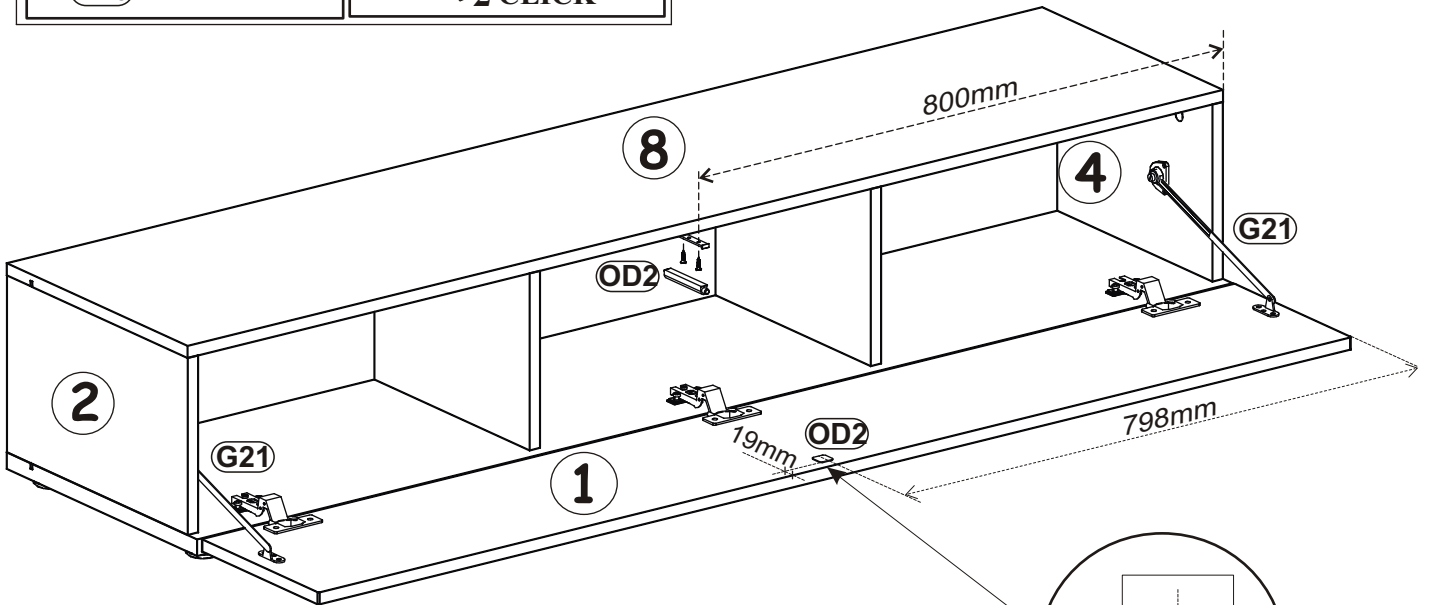
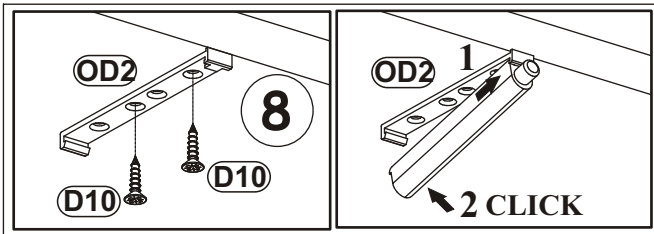
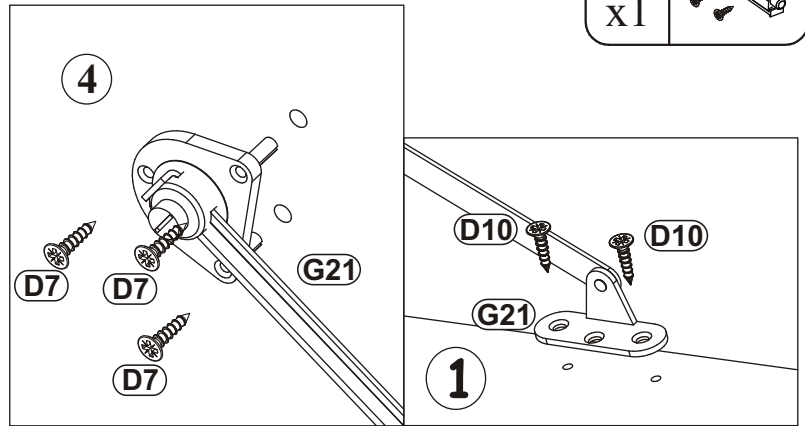
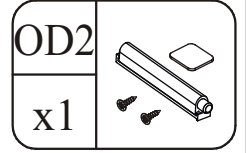
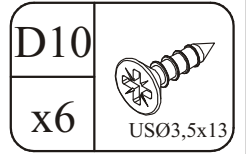
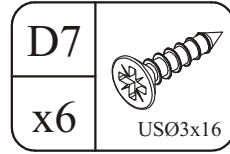
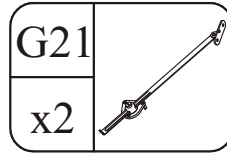
D10	
x2	USØ3,5x13

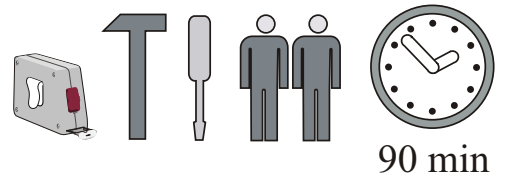
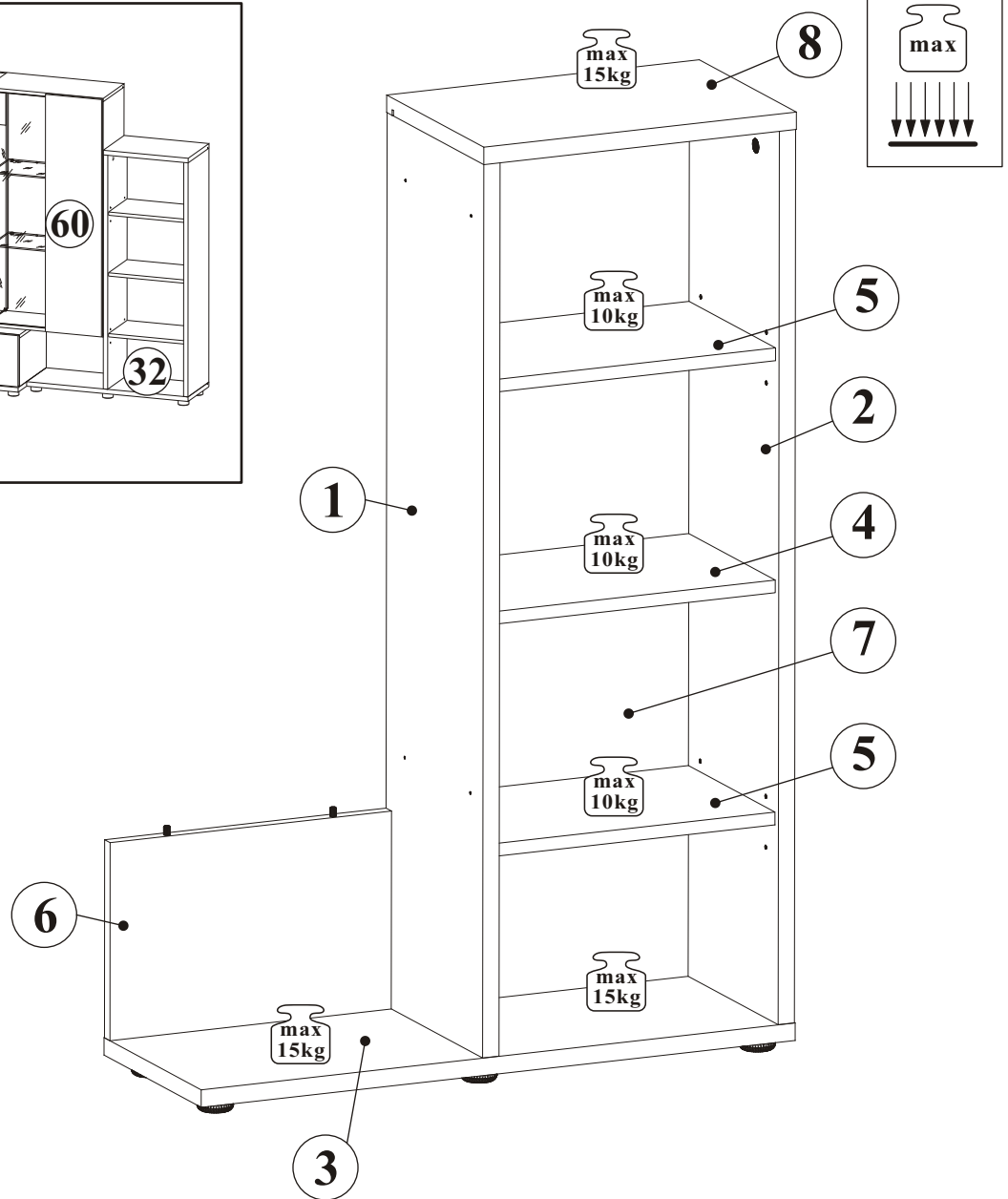
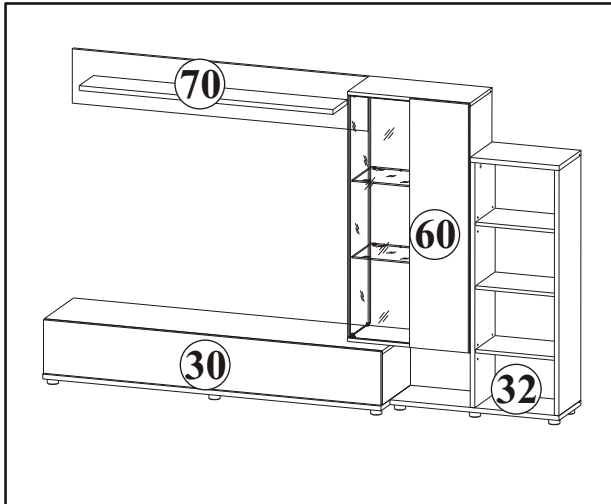


14

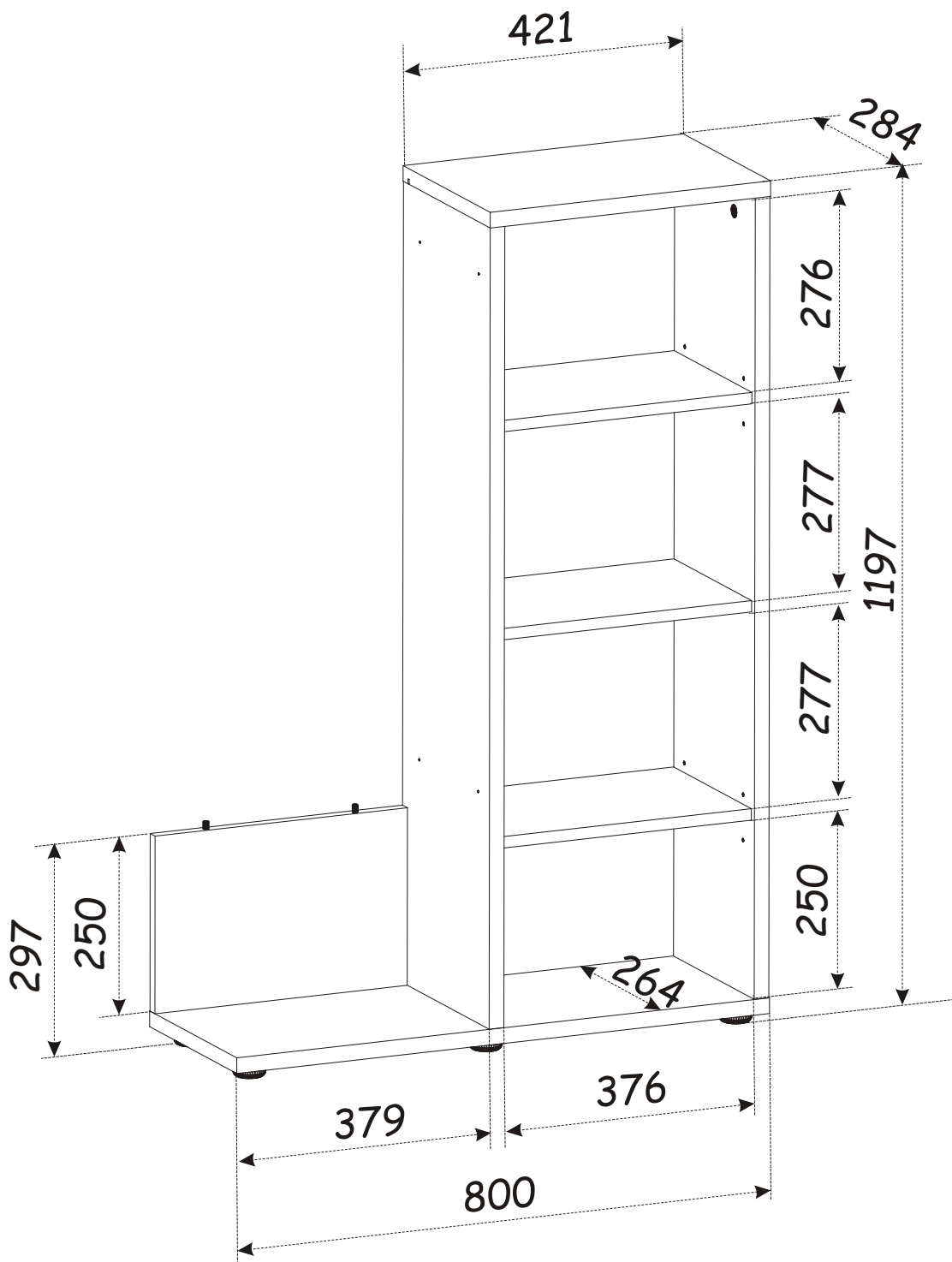


15

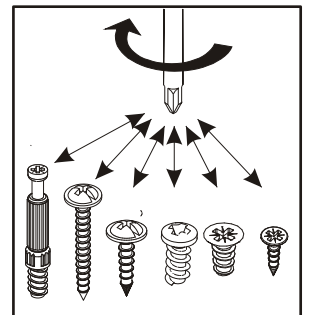
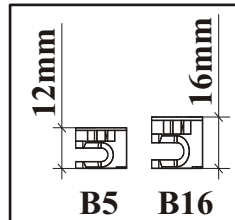
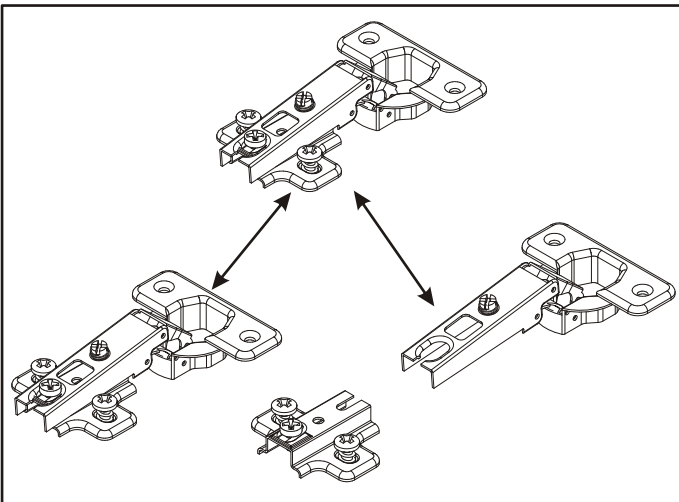
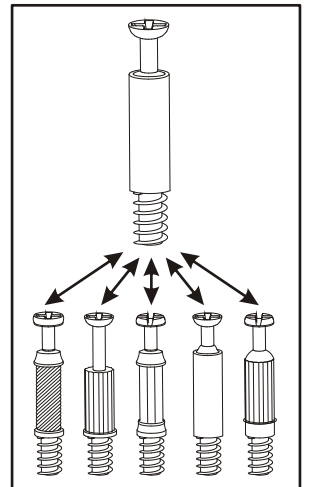
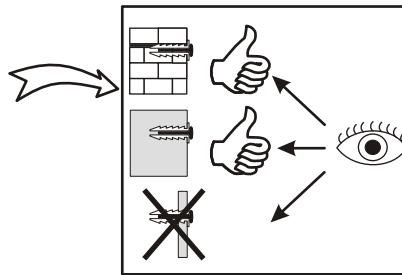
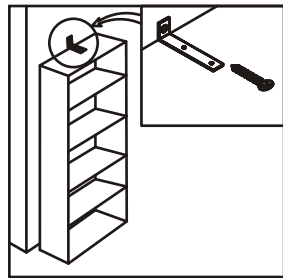
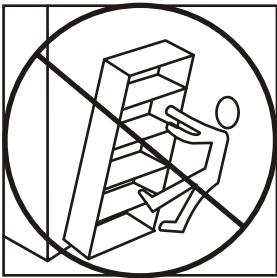
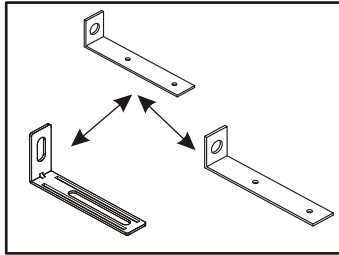
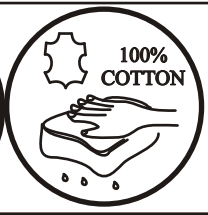
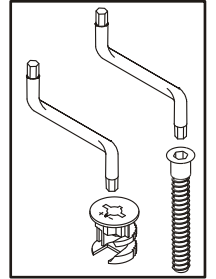
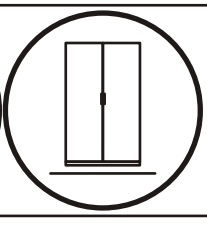
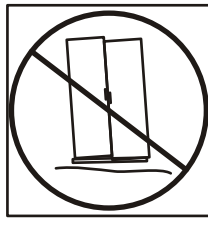
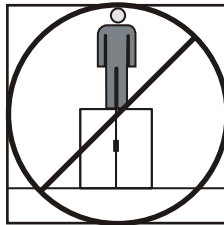
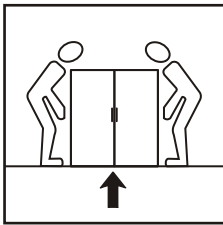
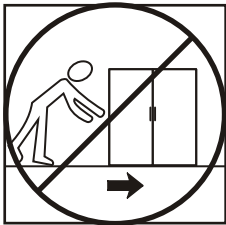
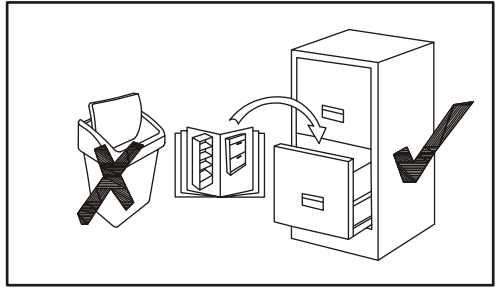
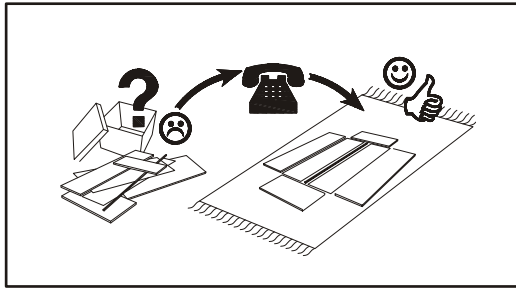
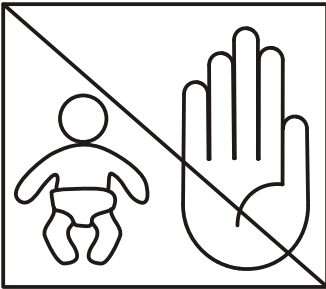
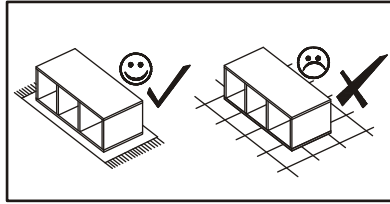
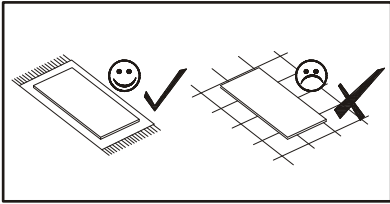




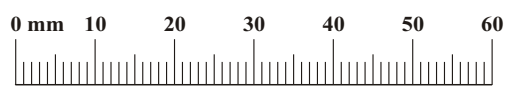
NO	DIM		COL.-NO	QTY
1	1128	283	22 2/3	1
2	1128	283	22 2/3	1
3	800	284	22 2/3	1
4	376	253	16 2/3	1
5	376	253	16 2/3	2
6	379	250	16 2/3	1
7	388	1140	3 2/3	1
8	421	284	22 2/3	1



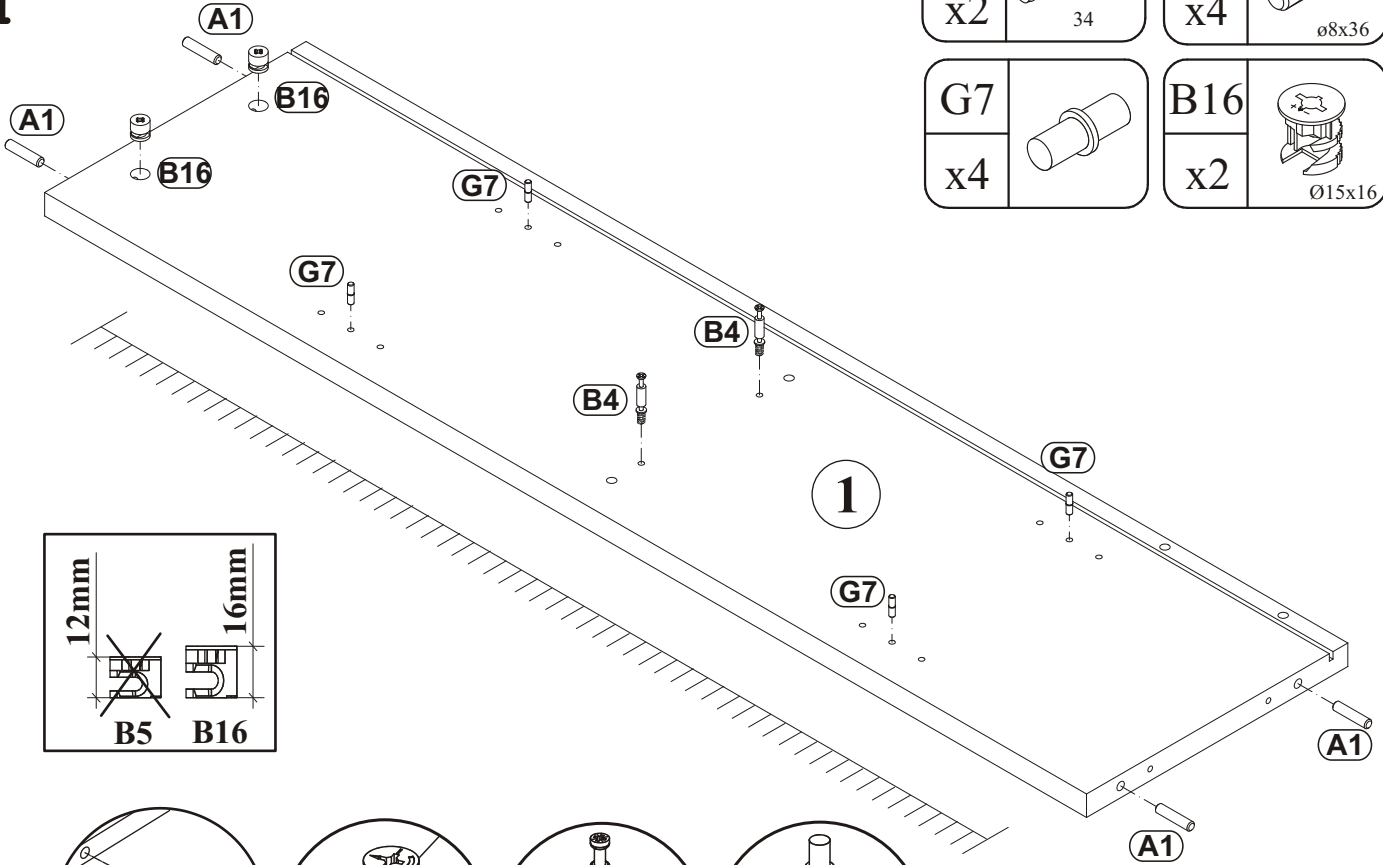




A1 x14 ø8x36	B11 x8 Ø7x50	G4 x8	B4 x8 34	B5 x4 ø15x12	B16 x4 Ø15x16
G5 x8	G7 x8	KR1 x1 ø8	L1 x1	S1 x8	ST7 x6 Ø50, h=25
UP11 x6 UPØ4x20	D10 x2 USØ3,5x13	G2 x1			

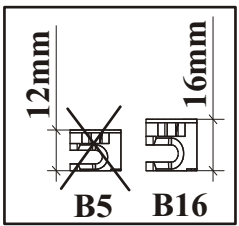


1



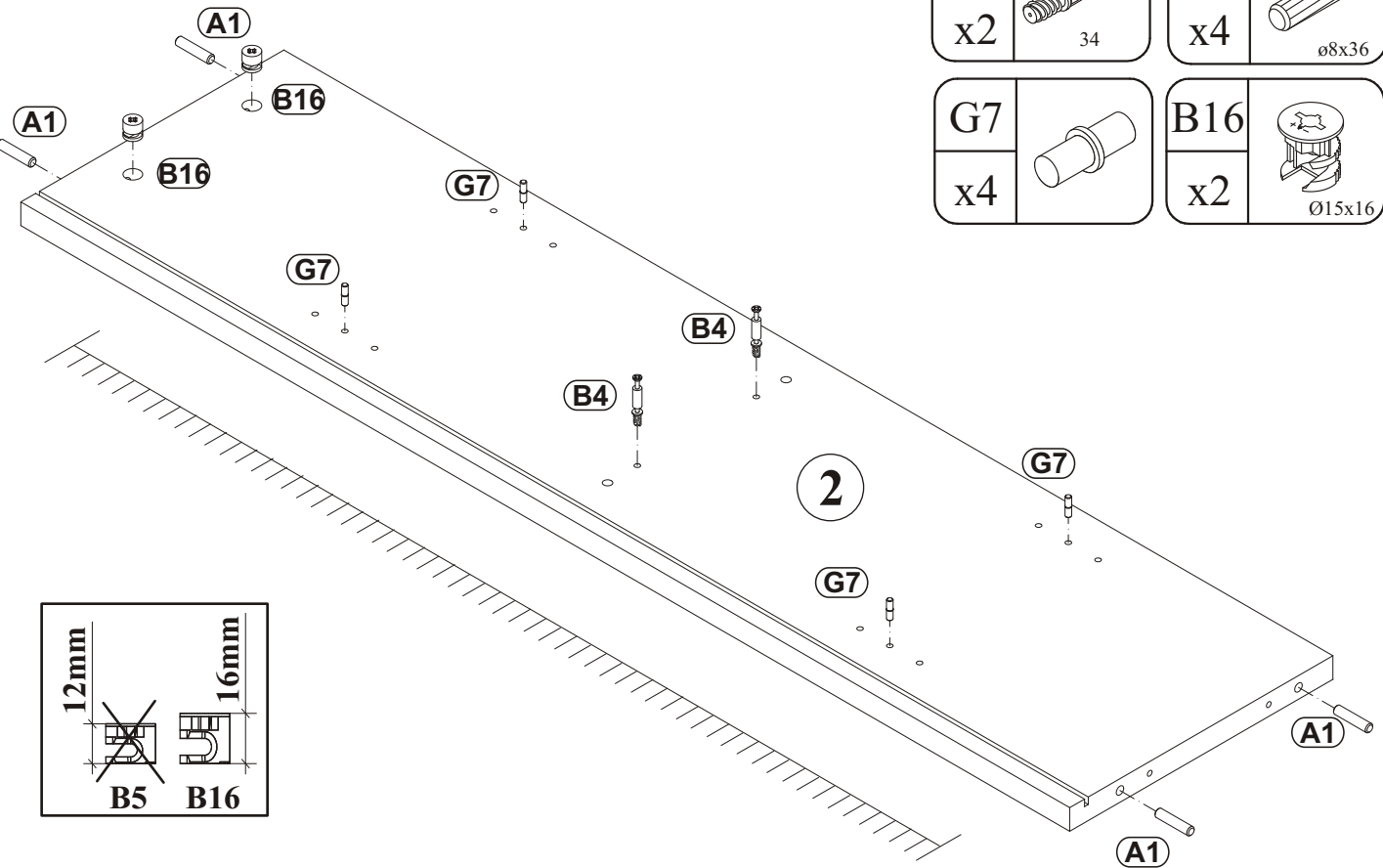
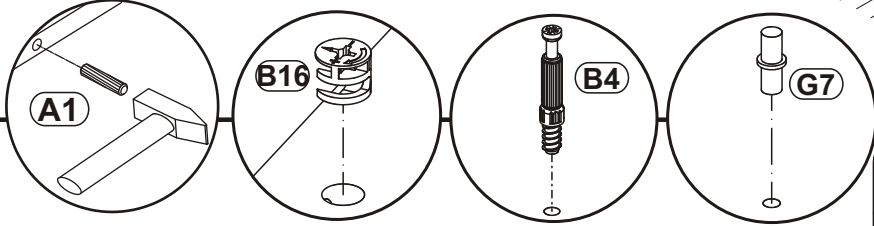
B4		A1	
x2	34	x4	ø8x36

G7		B16	
x4		x2	Ø15x16



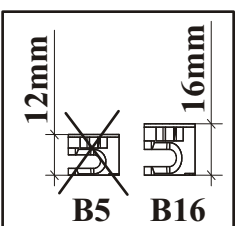
1

2



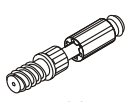
B4		A1	
x2	34	x4	ø8x36

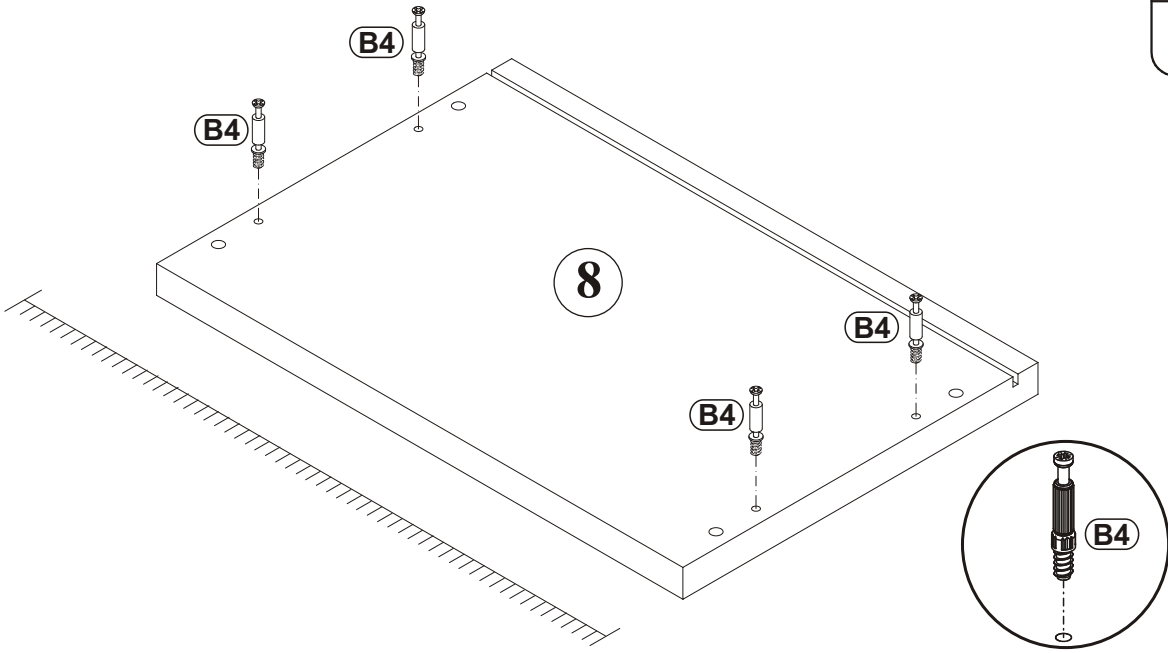
G7		B16	
x4		x2	Ø15x16



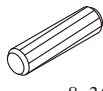
2


3

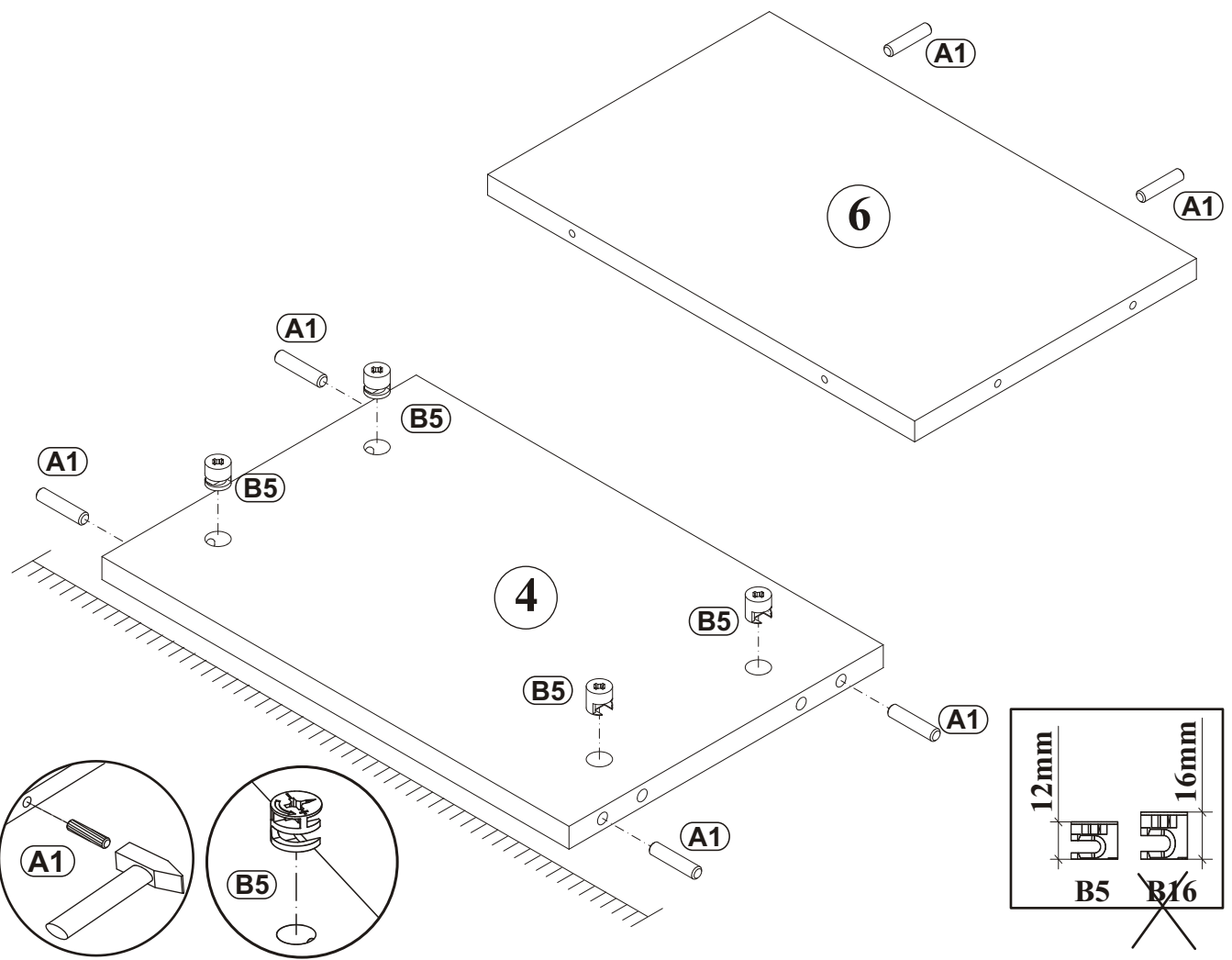
B4	
x4	34



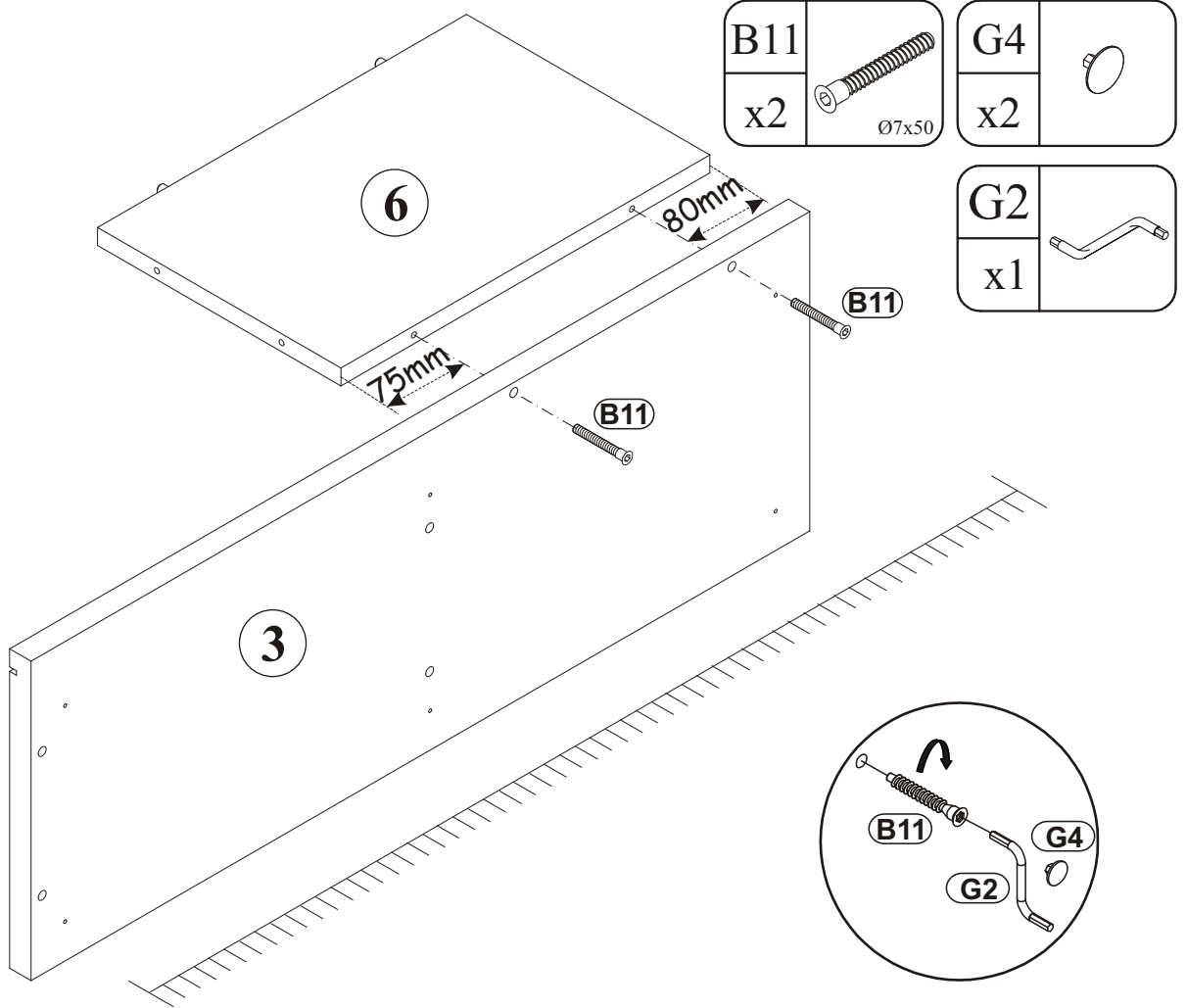
4

A1	
x6	ø8x36

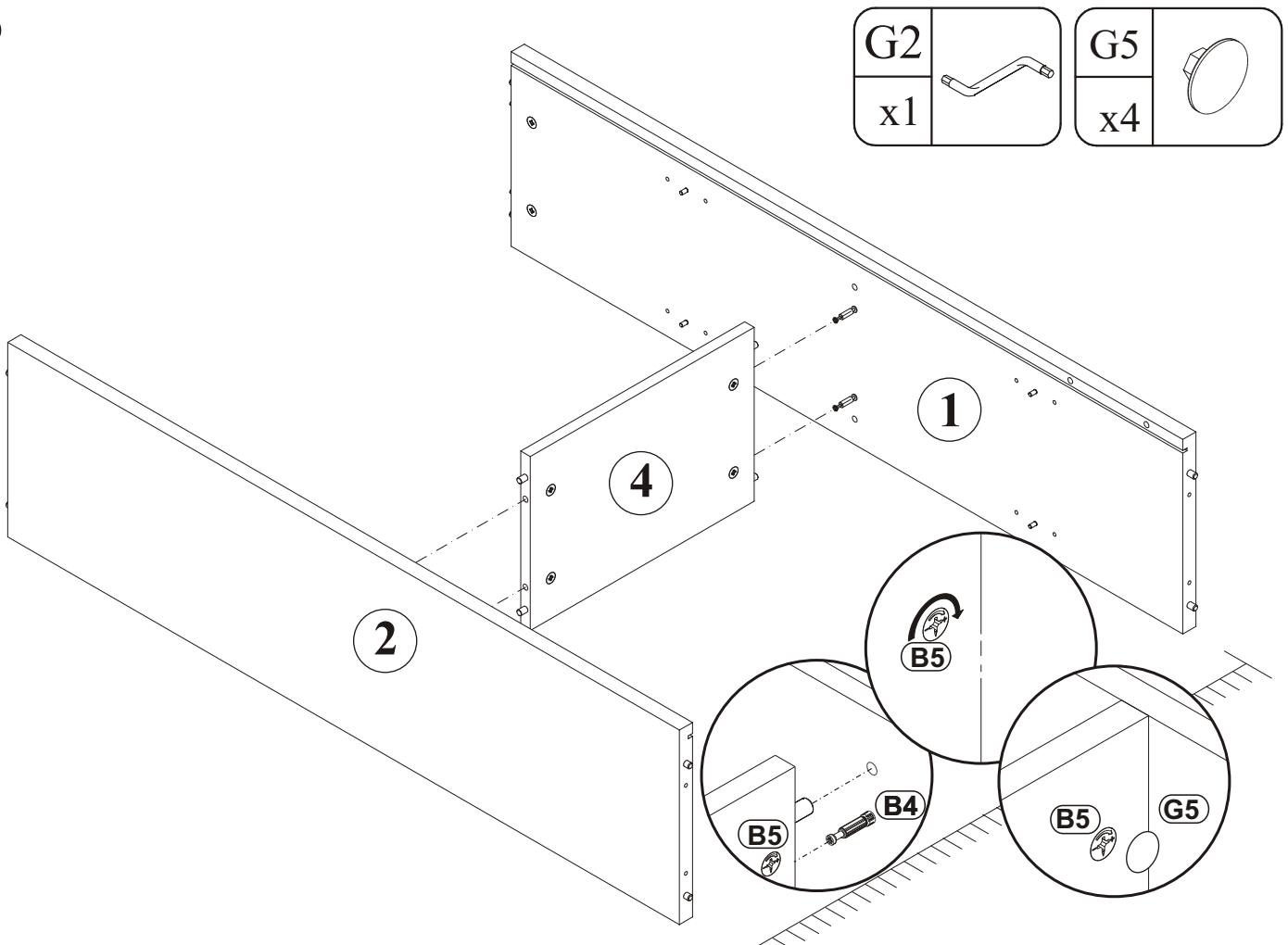
B5	
x4	ø15x12



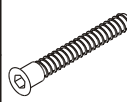
5





6

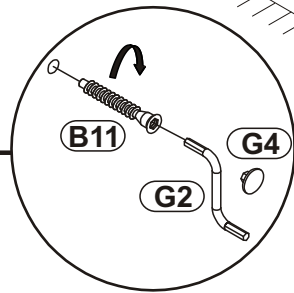
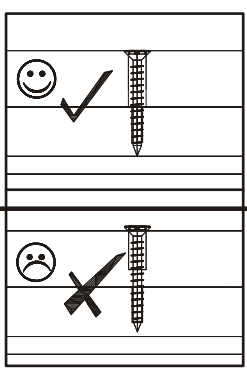
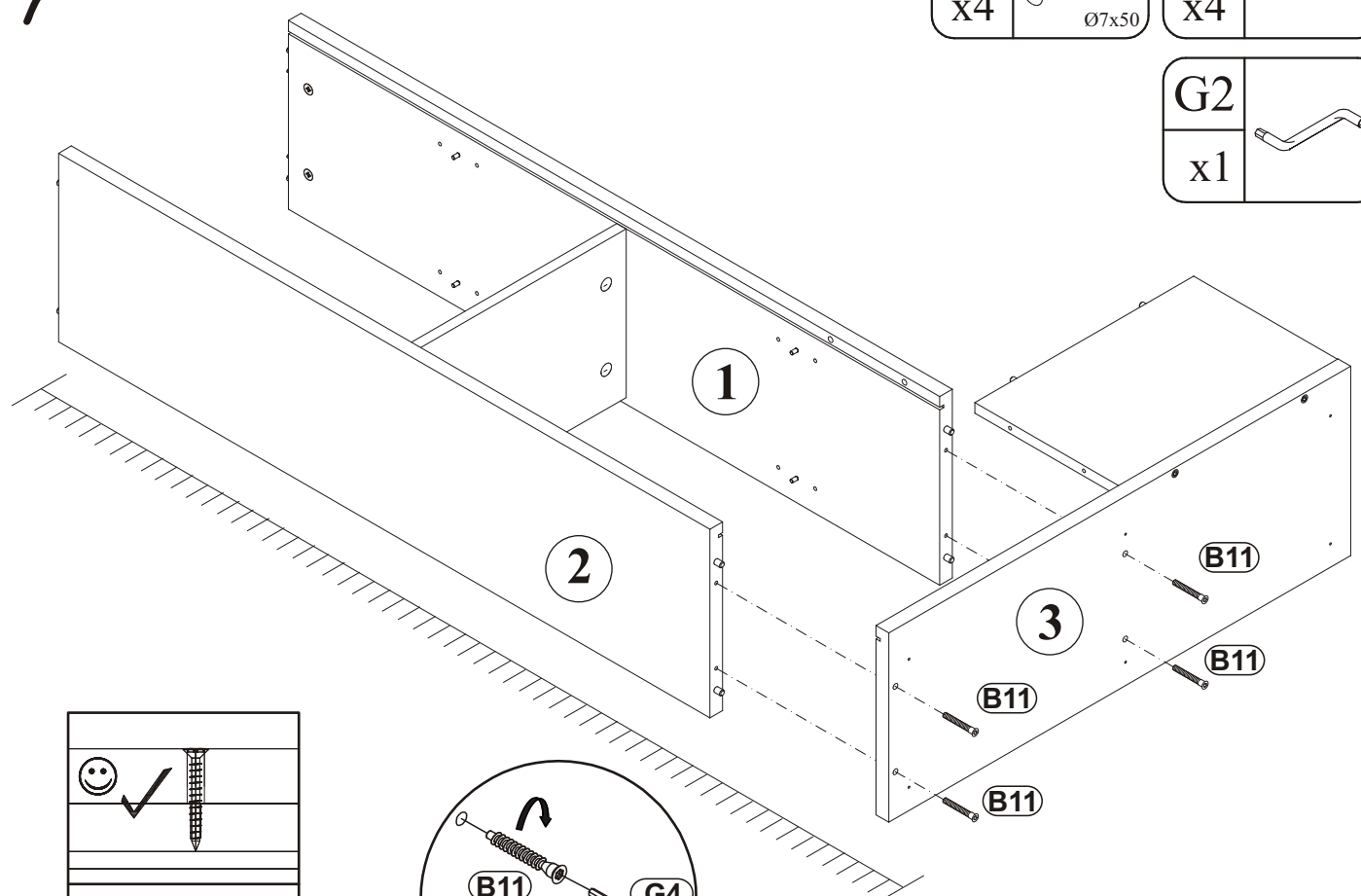


7


B11	
x4	Ø7x50


G4	
x4	


G2	
x1	

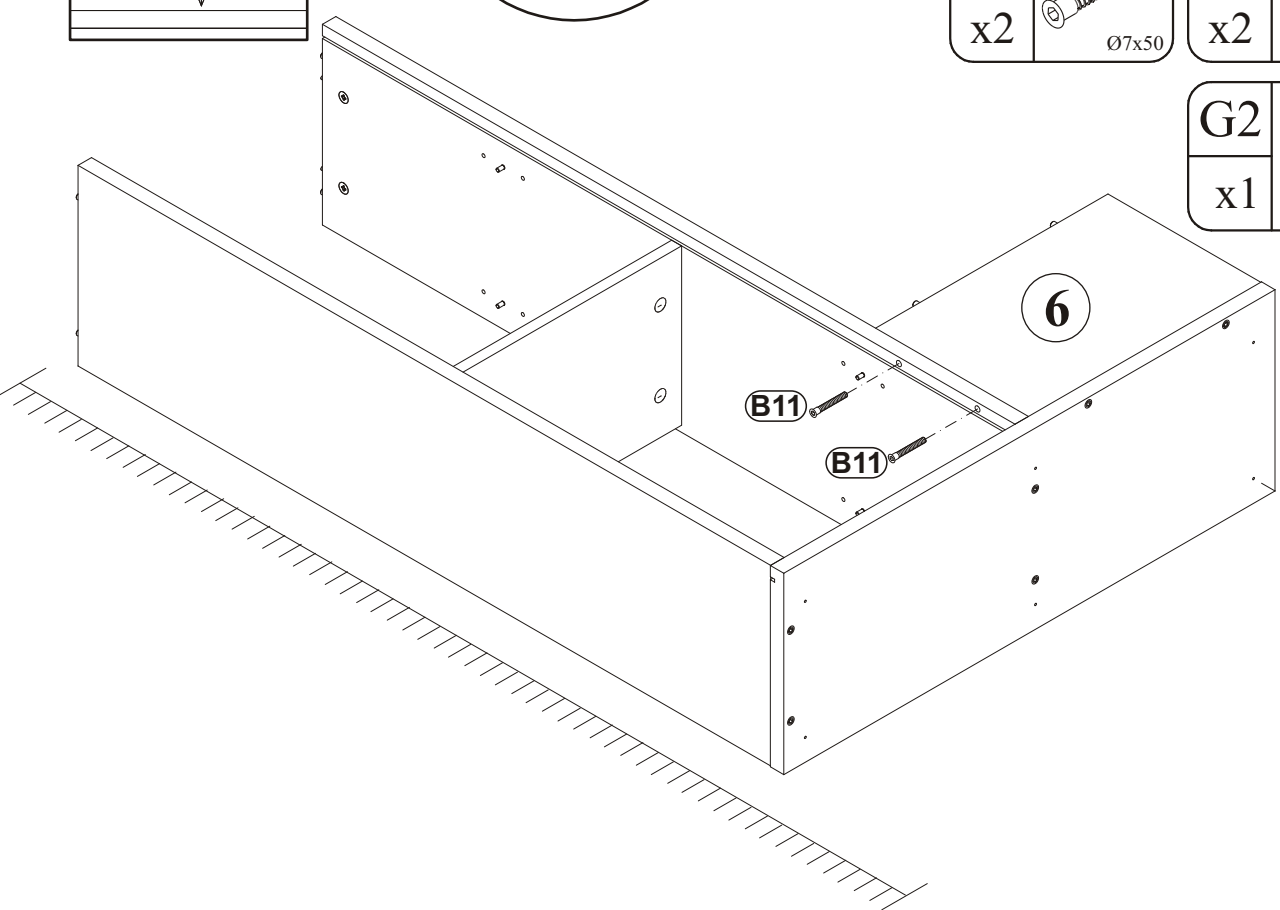


8

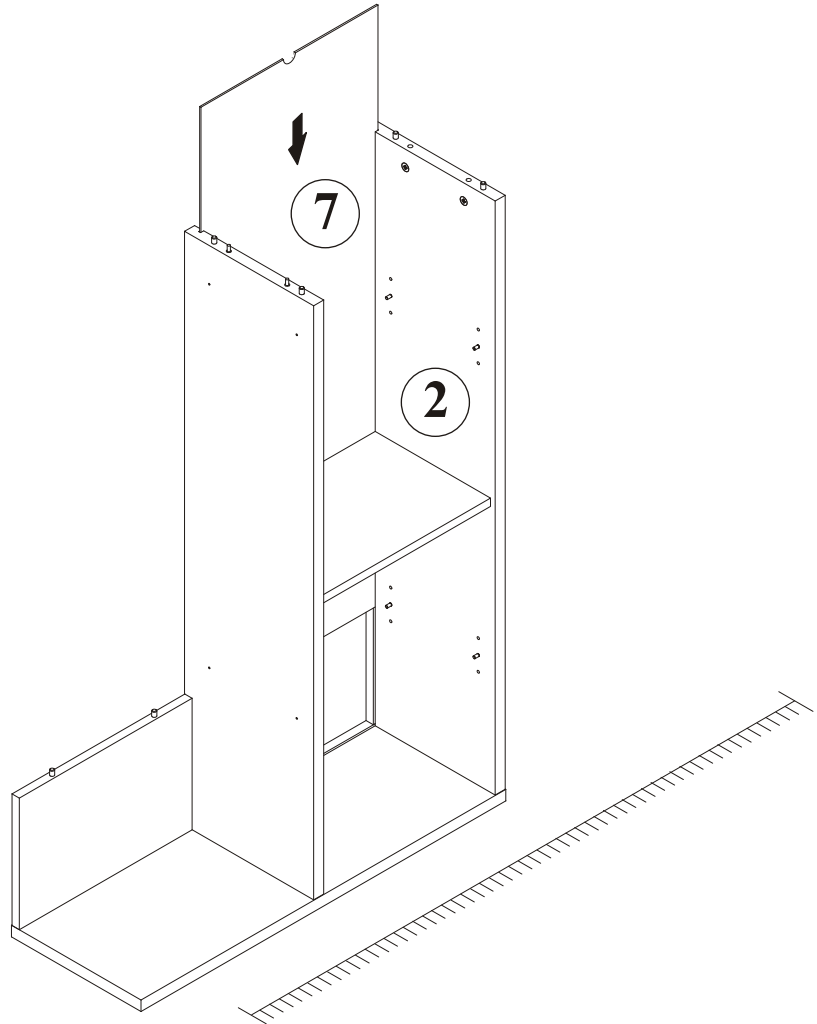
B11	
x2	Ø7x50

G4	
x2	

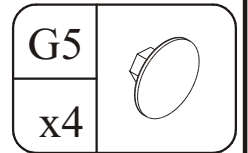
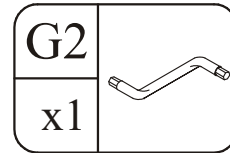
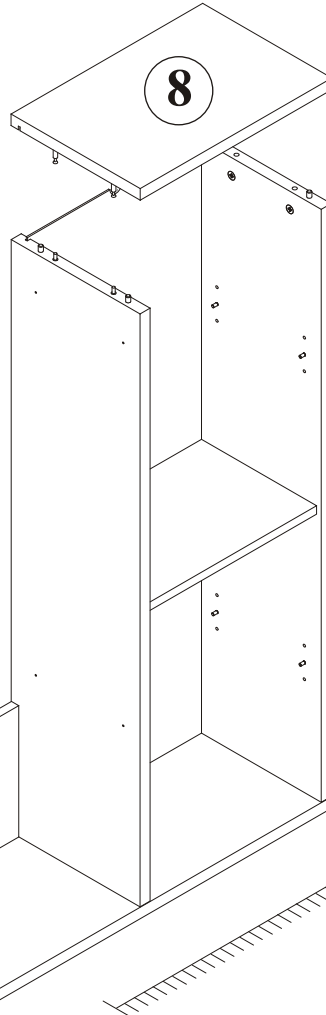
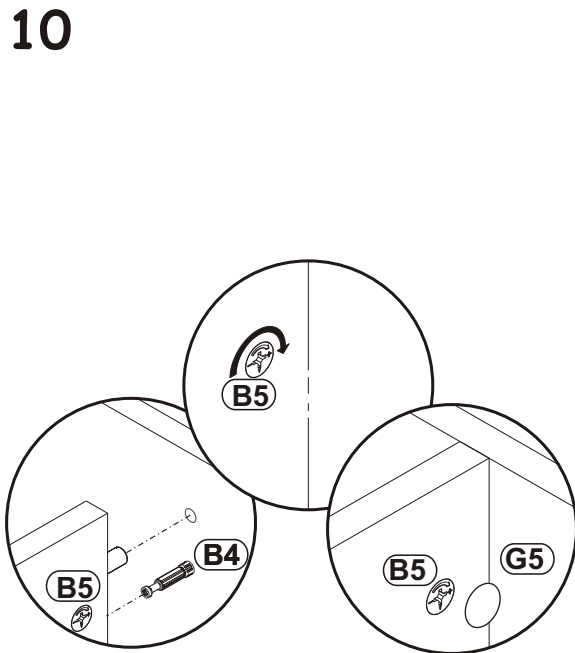
G2	
x1	



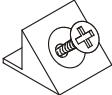
9

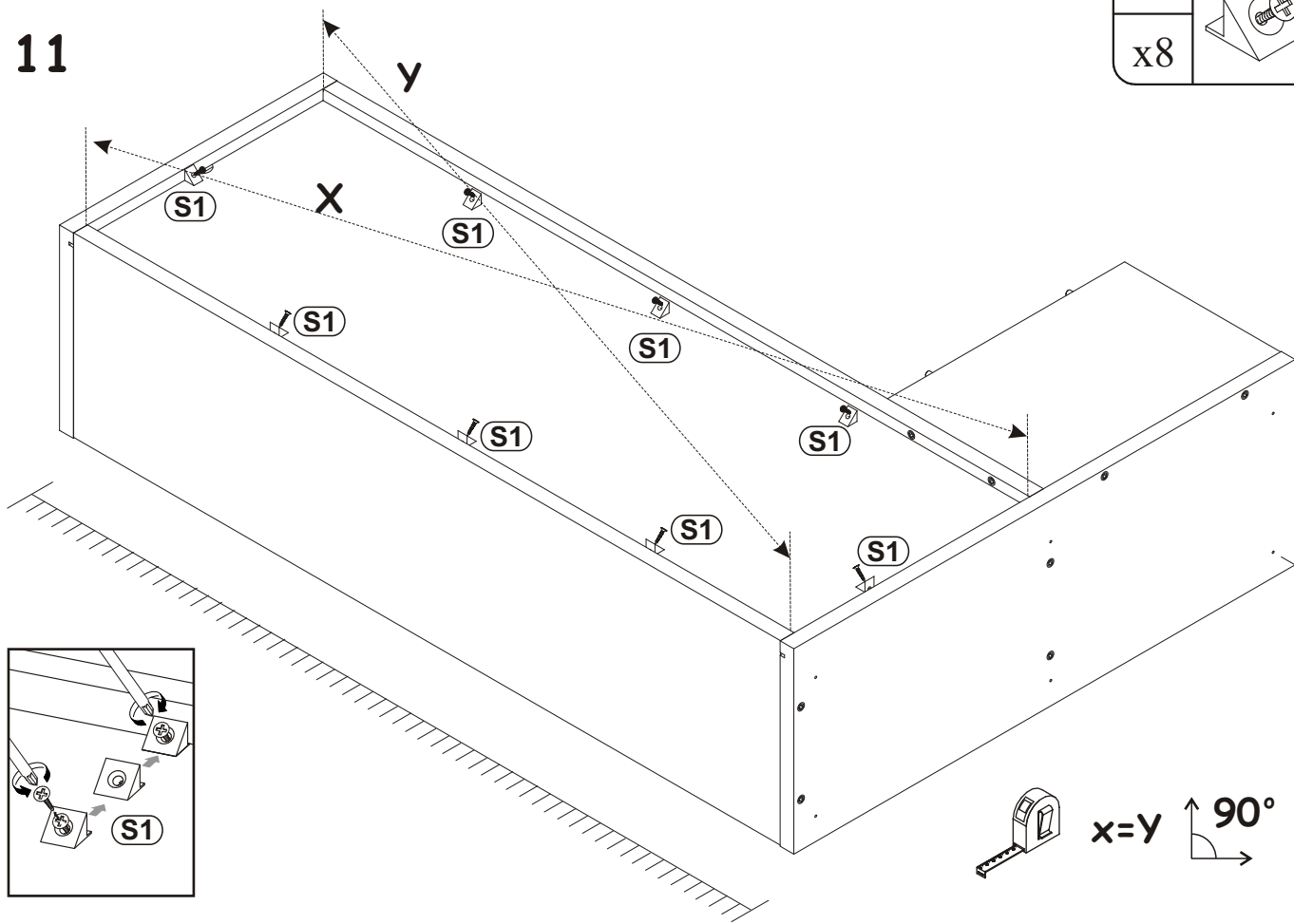


10



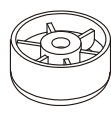
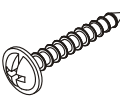
11

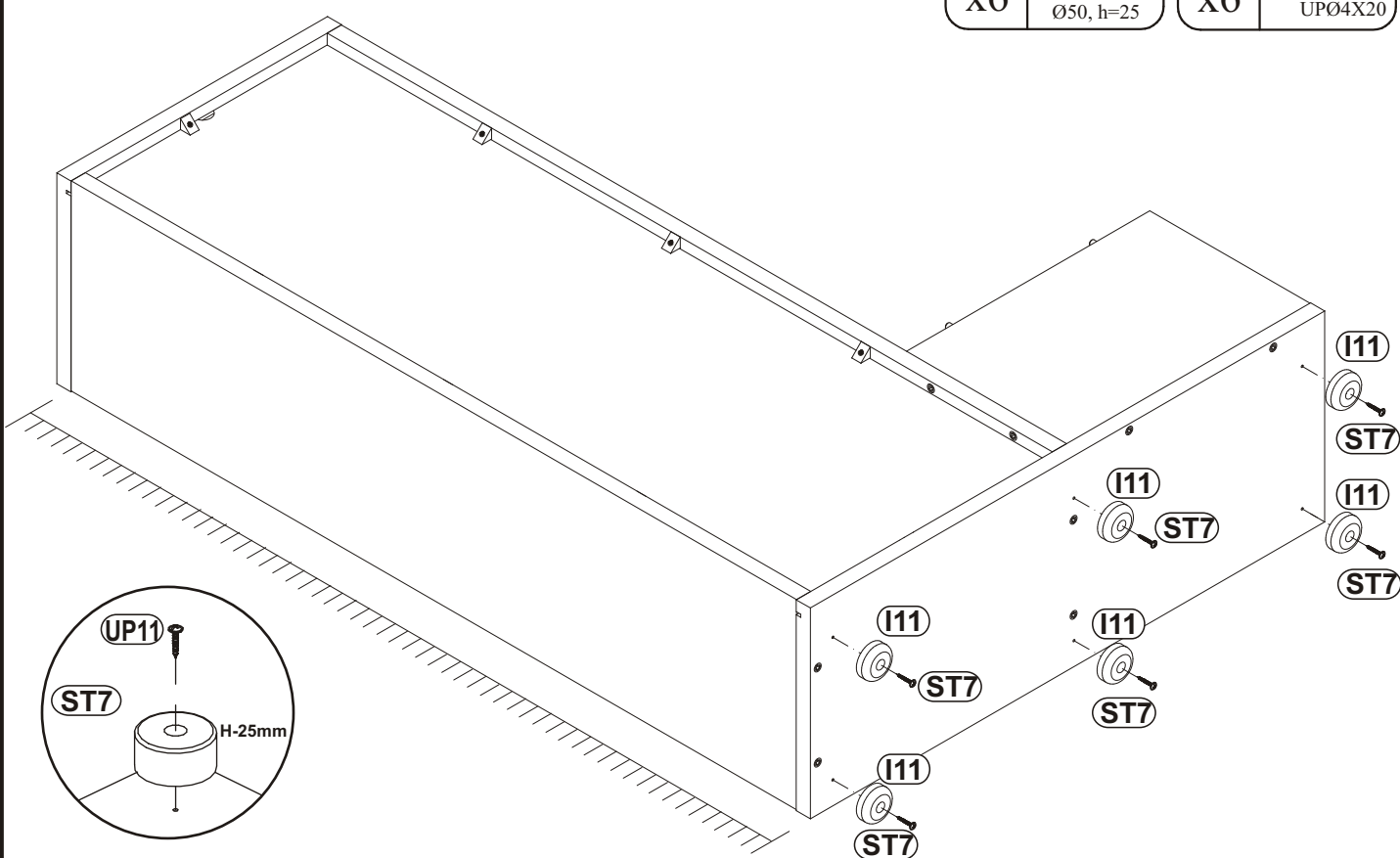
S1	
x8	



  $x=y$   $90^\circ$

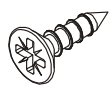
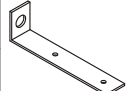
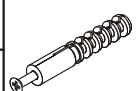
12

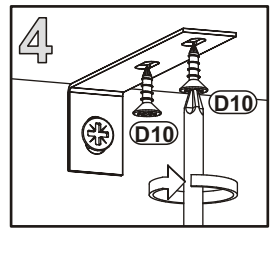
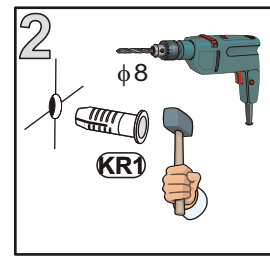
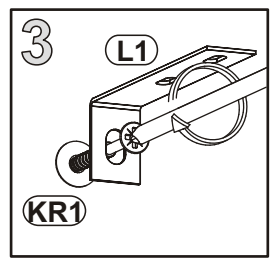
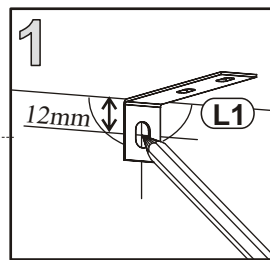
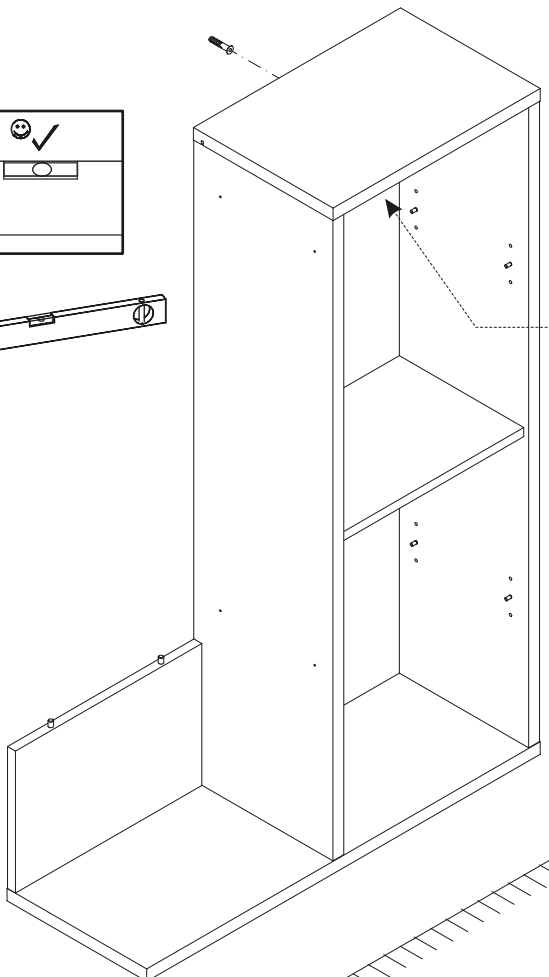
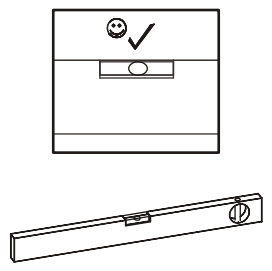
ST7		UP11	
x6	$\varnothing 50, h=25$	x6	UP $\varnothing 4 \times 20$



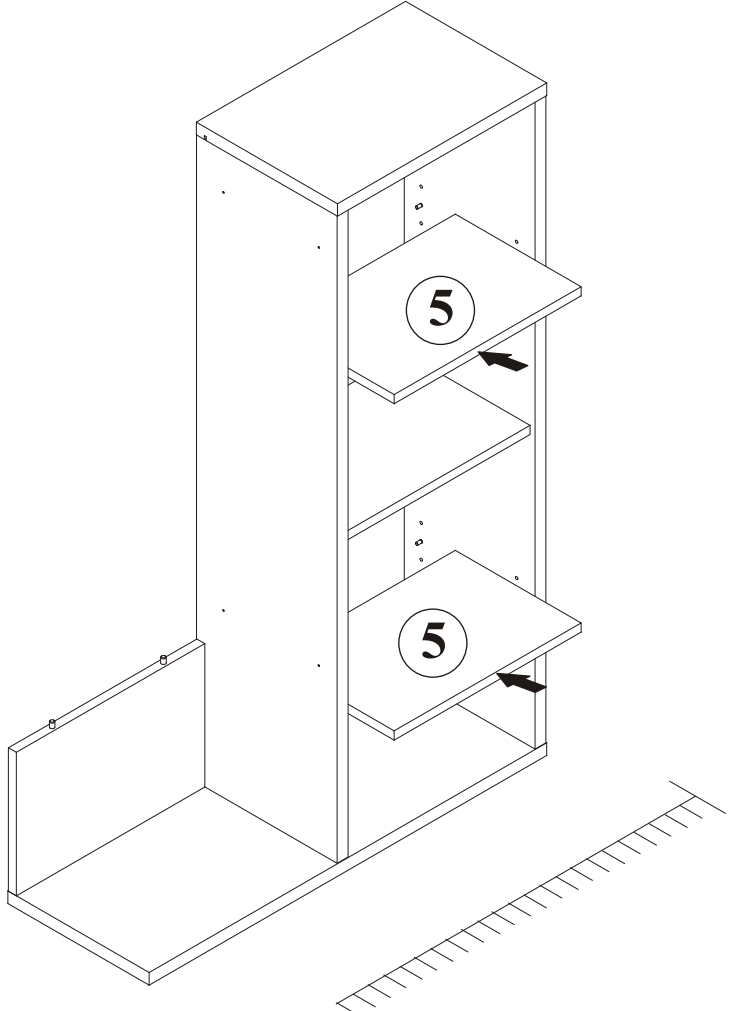


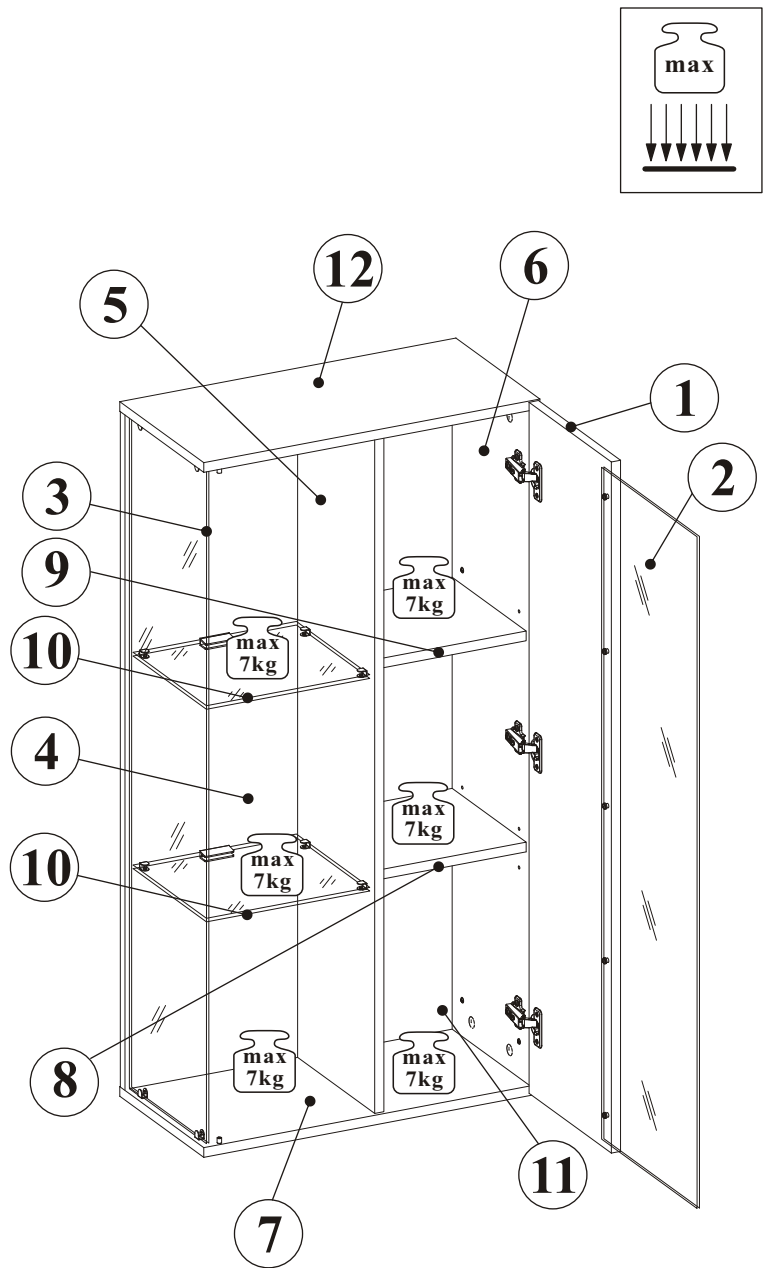
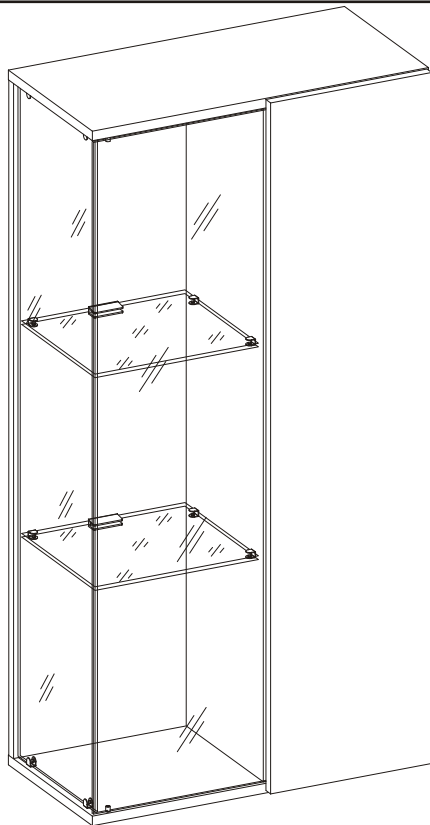
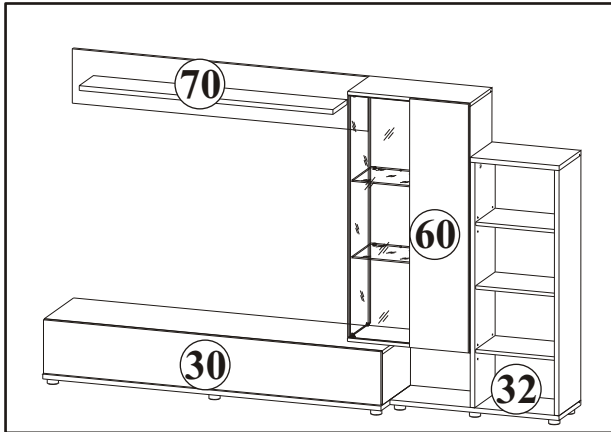
13

D10		L1		KR1	
x2	USØ3,5x13	x1		x1	Ø8

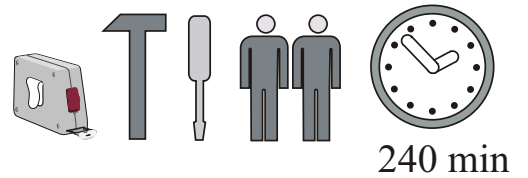


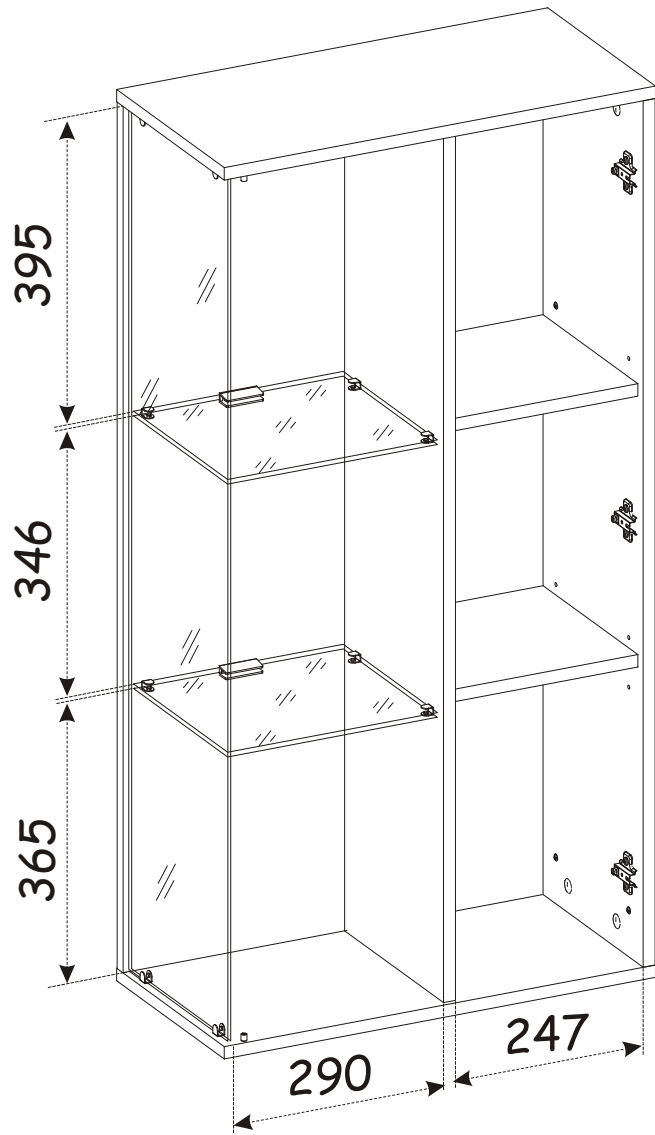
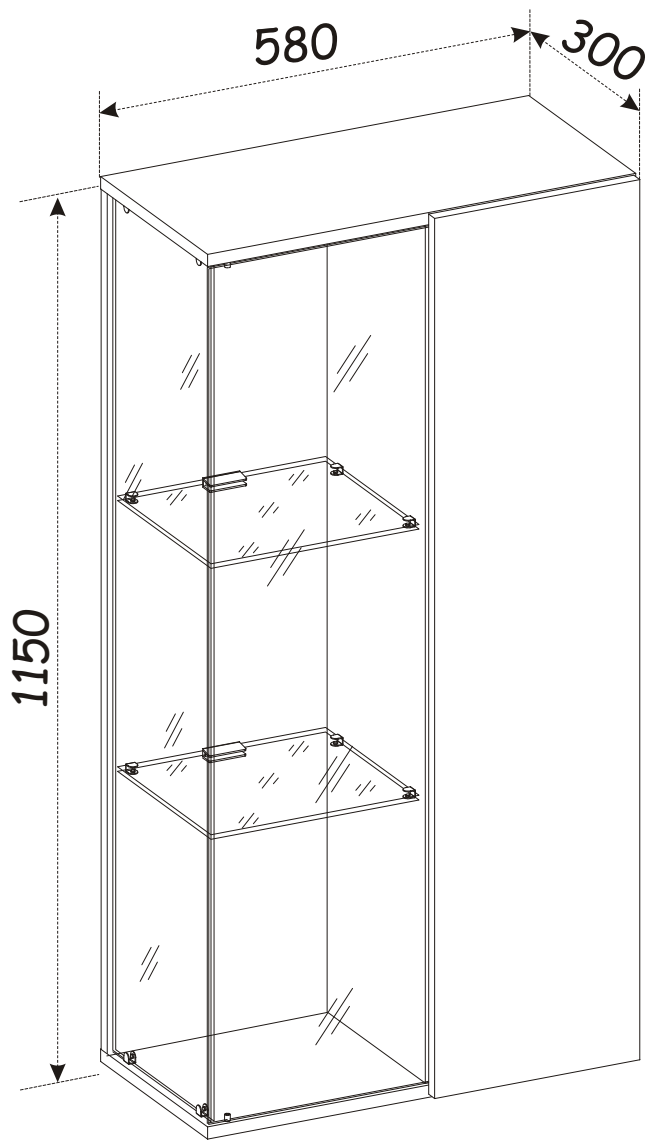
14

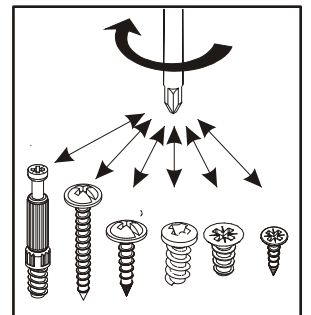
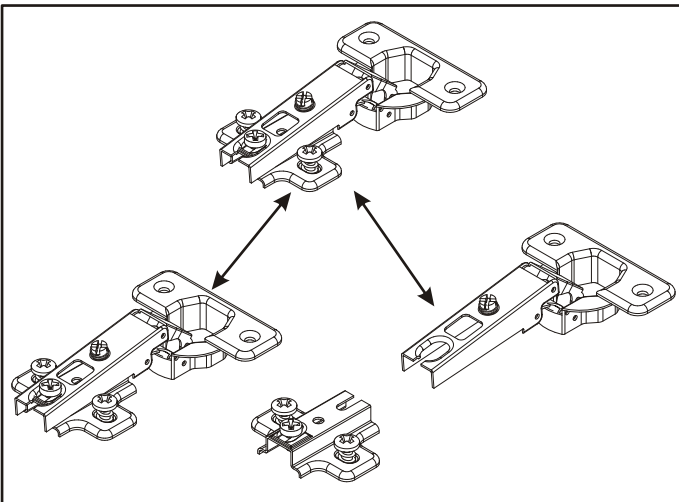
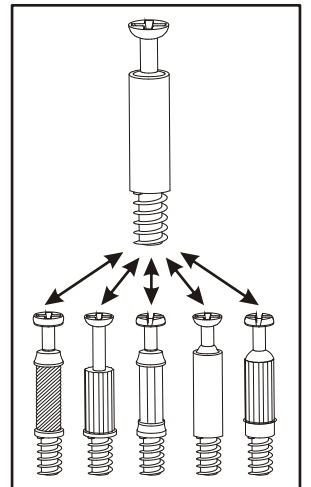
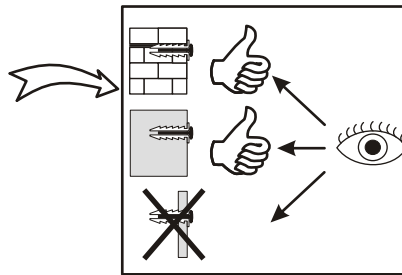
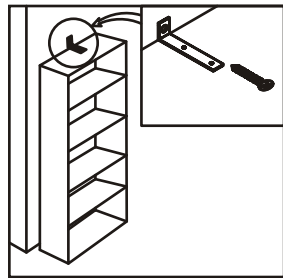
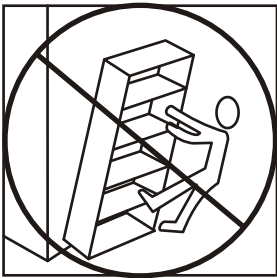
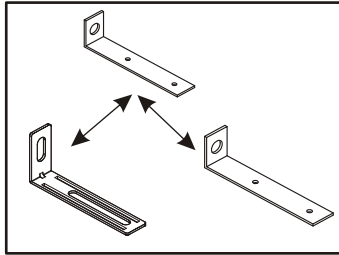
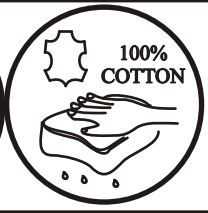
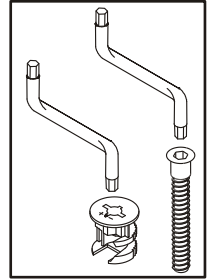
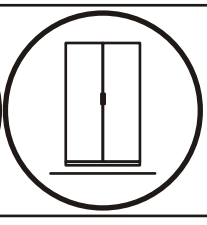
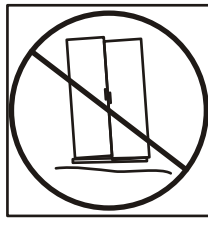
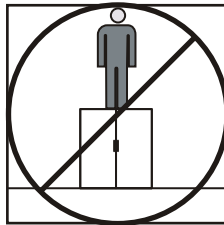
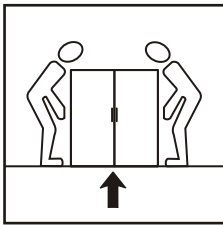
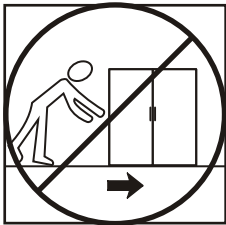
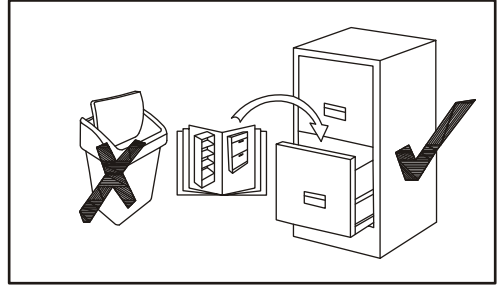
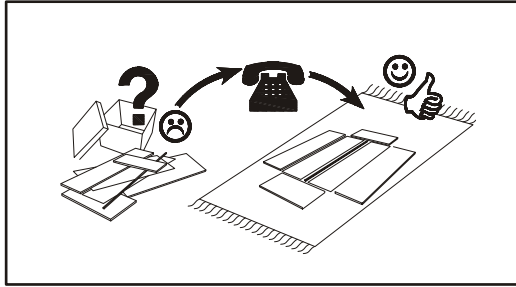
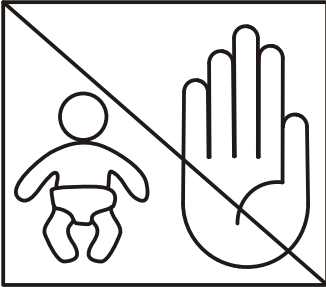
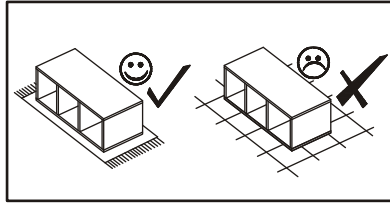
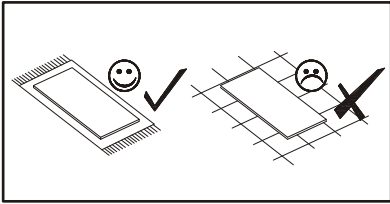




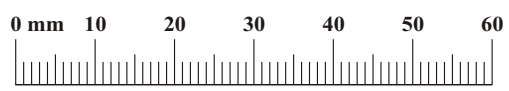
NO	DIM		COL.-NO	QTY
1	278	1144	16 3/3	1
2	1112	323	4 3/3	1
3	1112	261	4 3/3	1
4	298	1118	16 3/3	1
5	277	1118	16 3/3	1
6	1118	284	16 3/3	1
7	580	284	16 3/3	1
8	249	250	16 3/3	1
9	249	250	16 3/3	1
10	282	248	6 3/3	2
11	261	1130	3 3/3	1
12	580	284	16 3/3	1






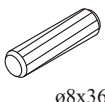


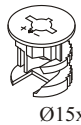
A1 x20 ø8x36	B4 x20 34	B5 x20 ø15x12	G5 x20	G7 x4	G20 x2
E21 x3 Ø35 H=0	E2 x3 H=0	UP6 x4 UPØ4x30	KR1 x1 Ø8	L1 x1	S1 x8
G30 x10	UL1 x2 1x2	P2 x5	D10 x8 USØ3,5x13	UP13 x5 UPØ3x16	G2 x1

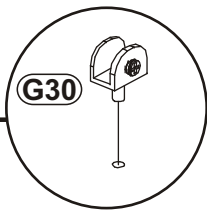
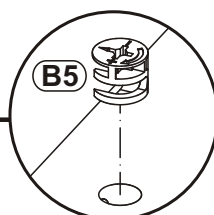
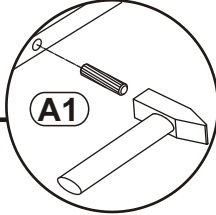
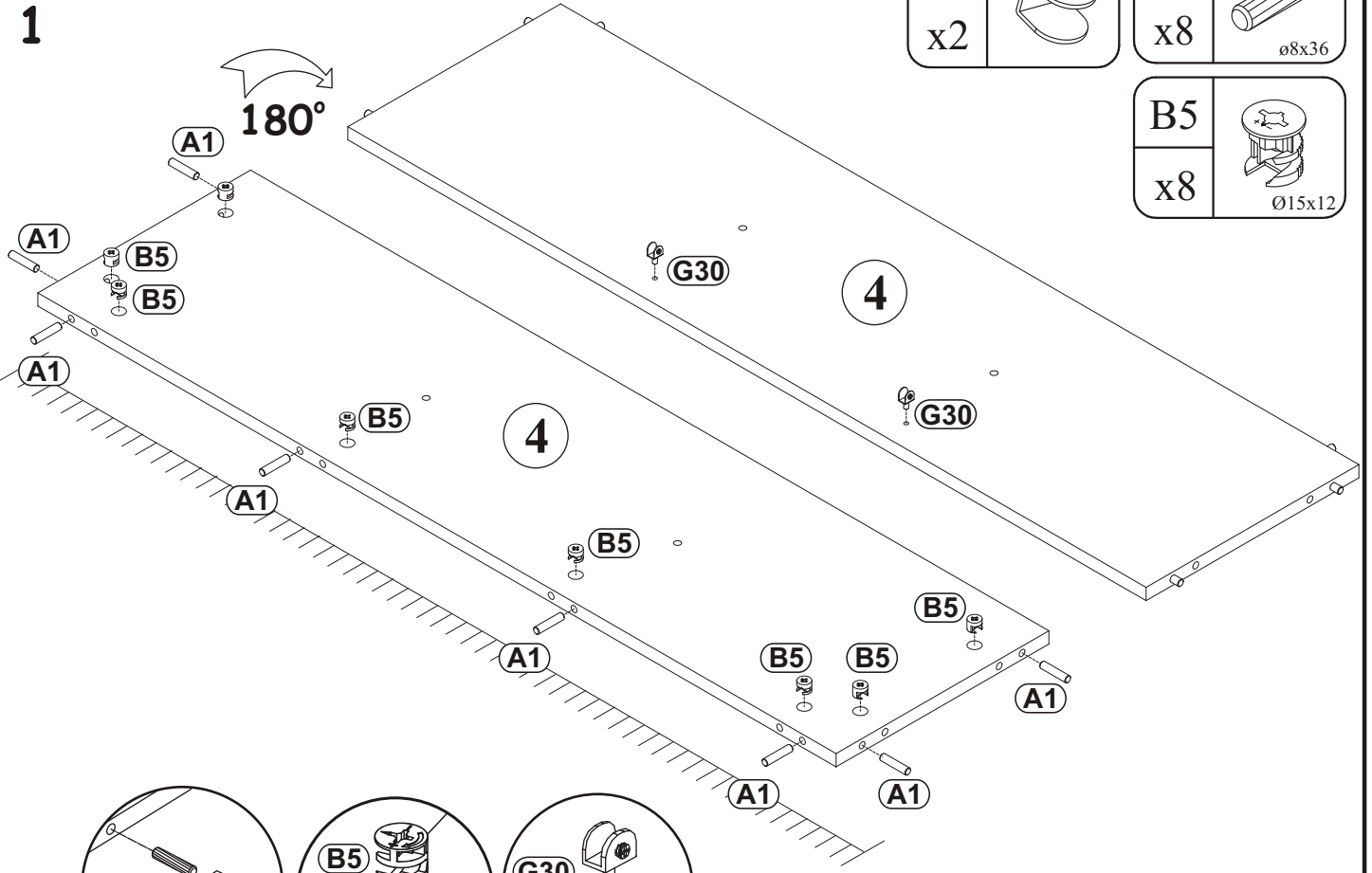


1

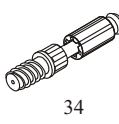
G30	
x2	

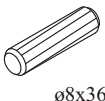
A1	
x8	ø8x36

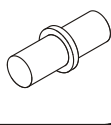
B5	
x8	Ø15x12

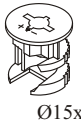



2

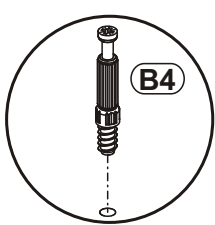
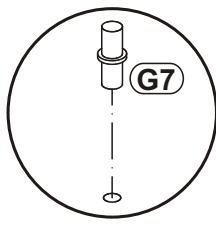
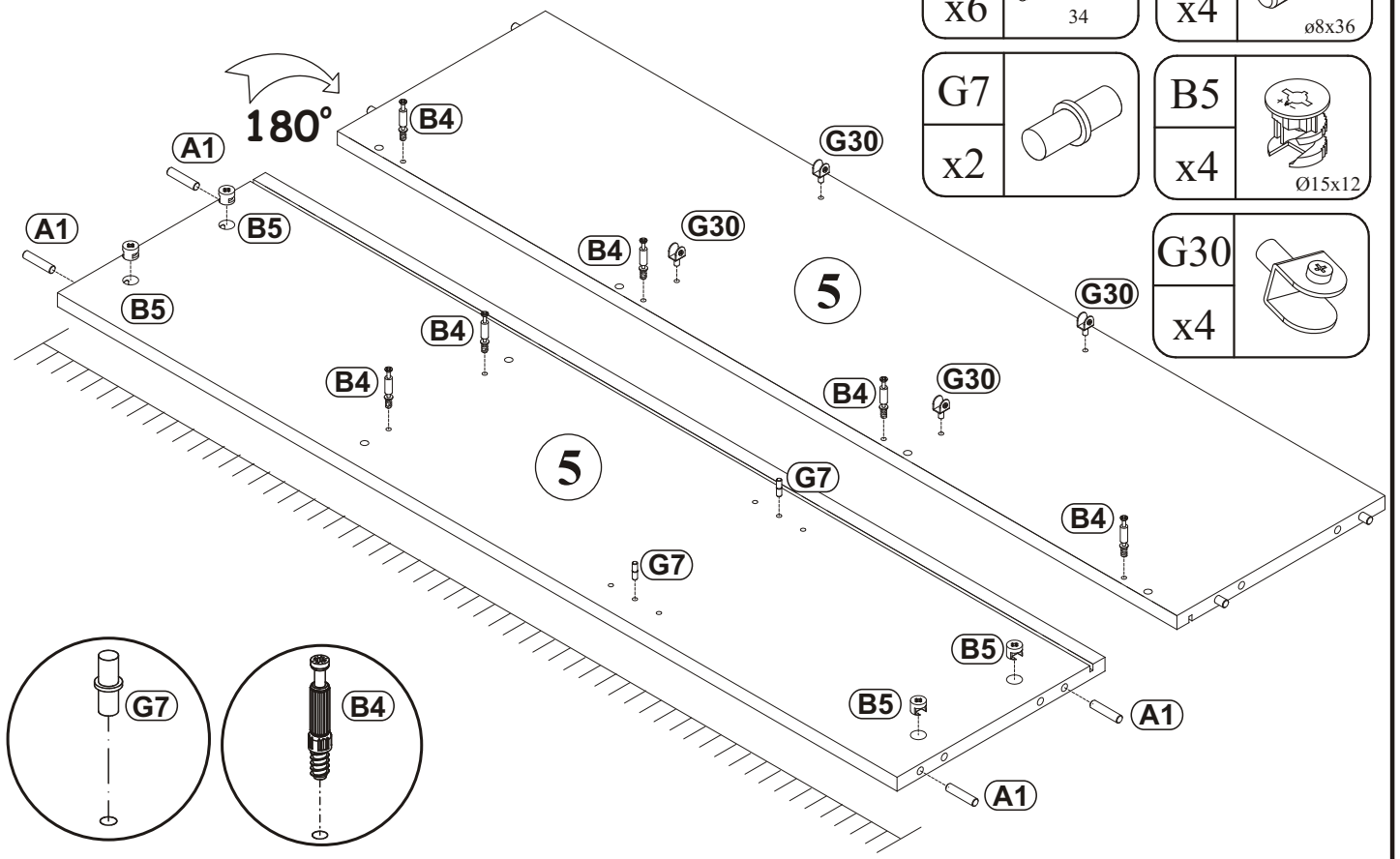
B4	
x6	34

A1	
x4	ø8x36

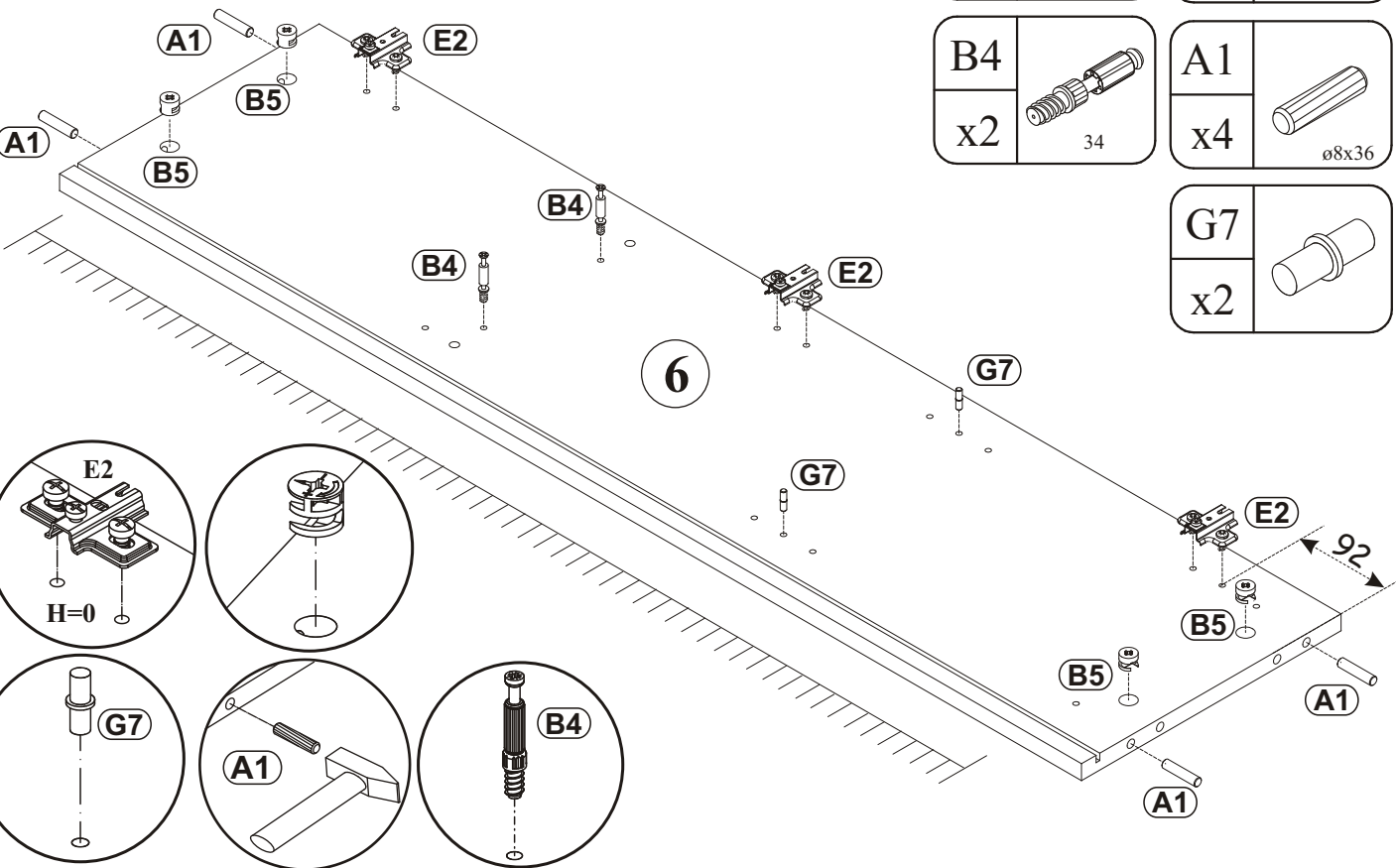
G7	
x2	

B5	
x4	Ø15x12

G30	
x4	



3



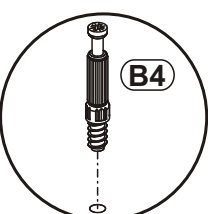
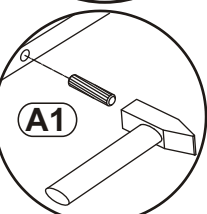
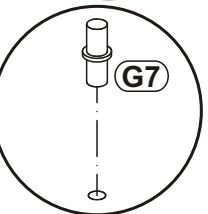
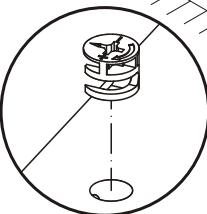
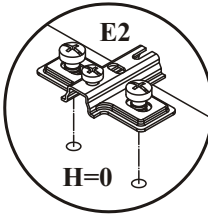
E2	
x3	H=0

B5	
x4	ø15x12

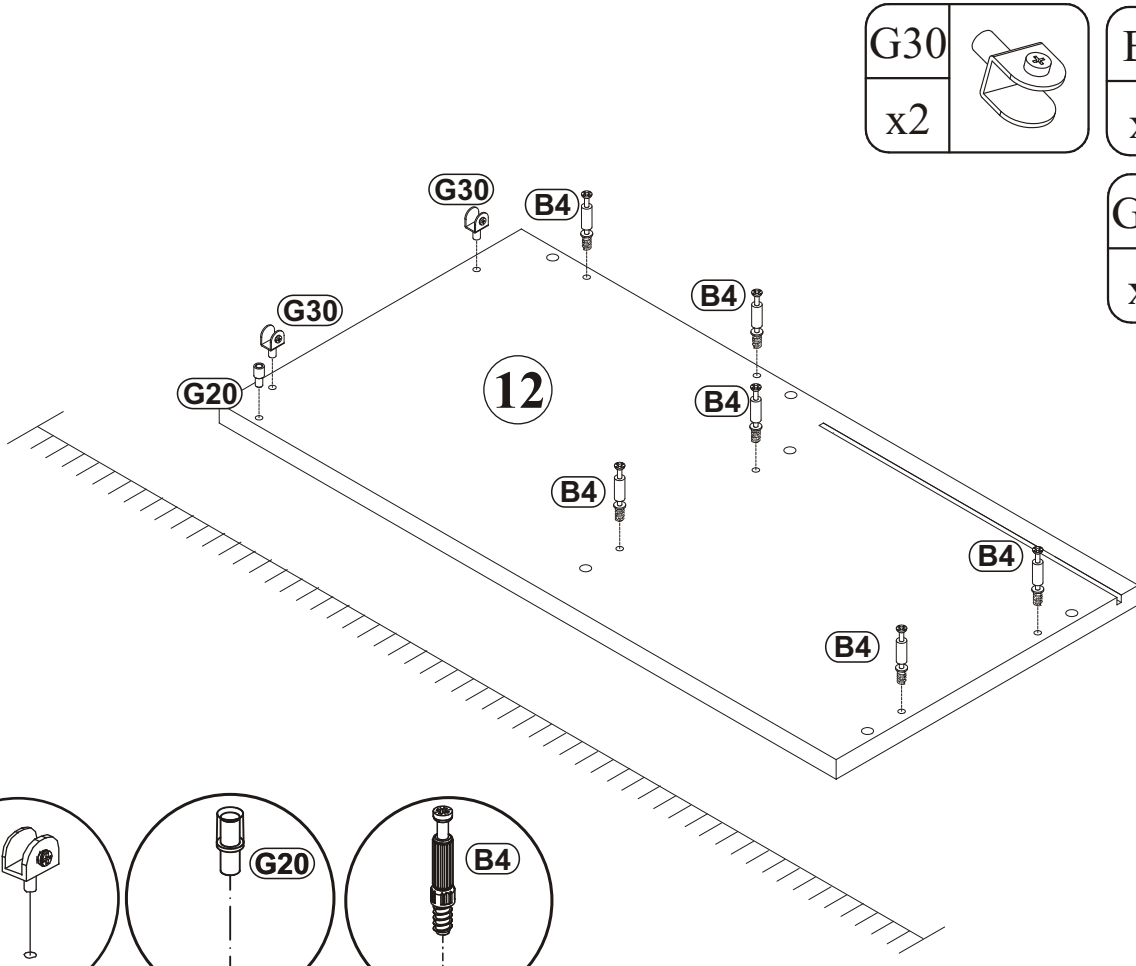
B4	
x2	34

A1	
x4	ø8x36

G7	
x2	



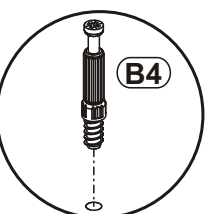
4




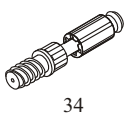
G30	
x2	

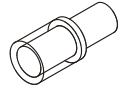
B4	
x6	34

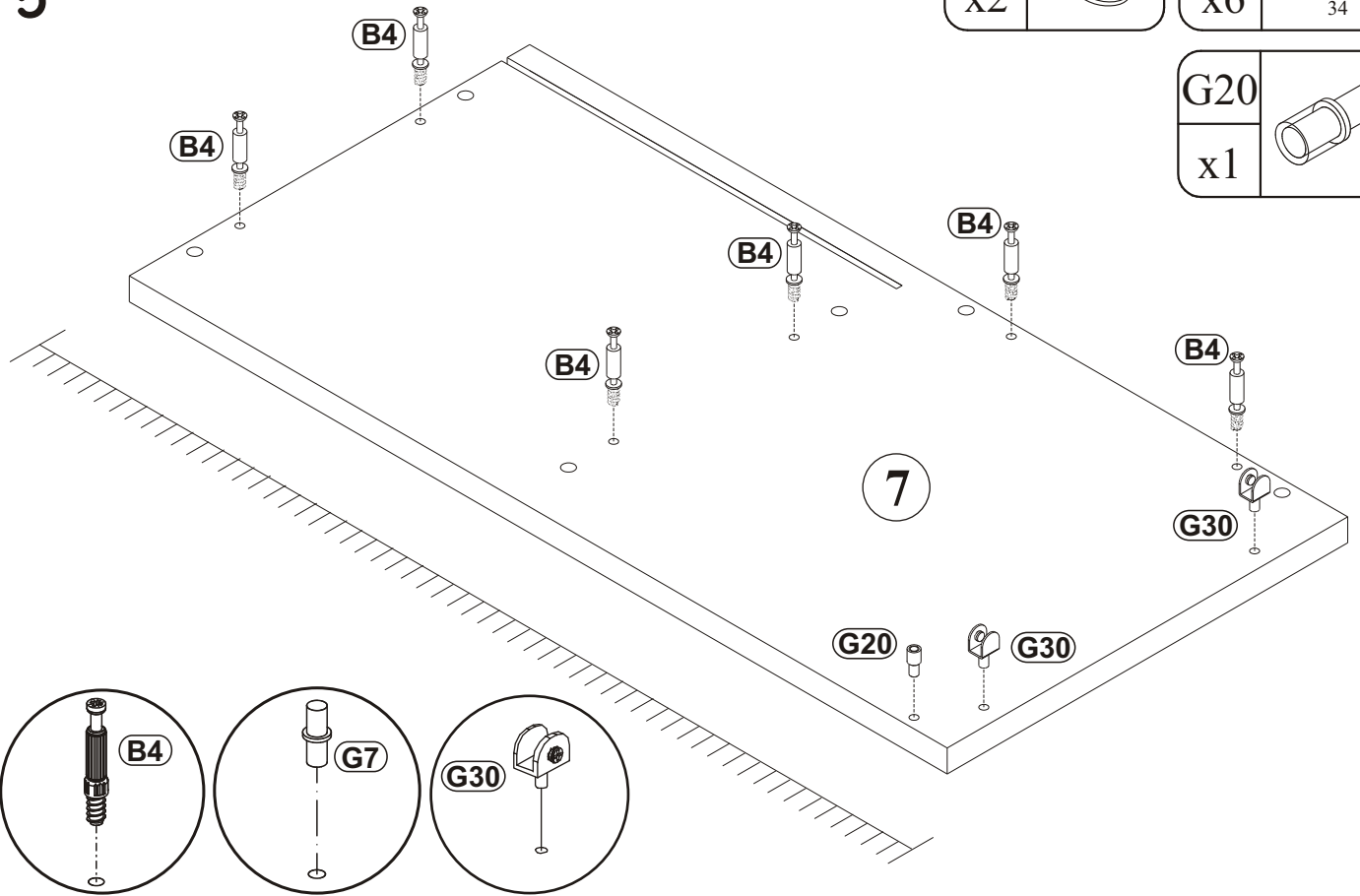
G20	
x1	



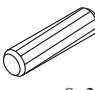

5

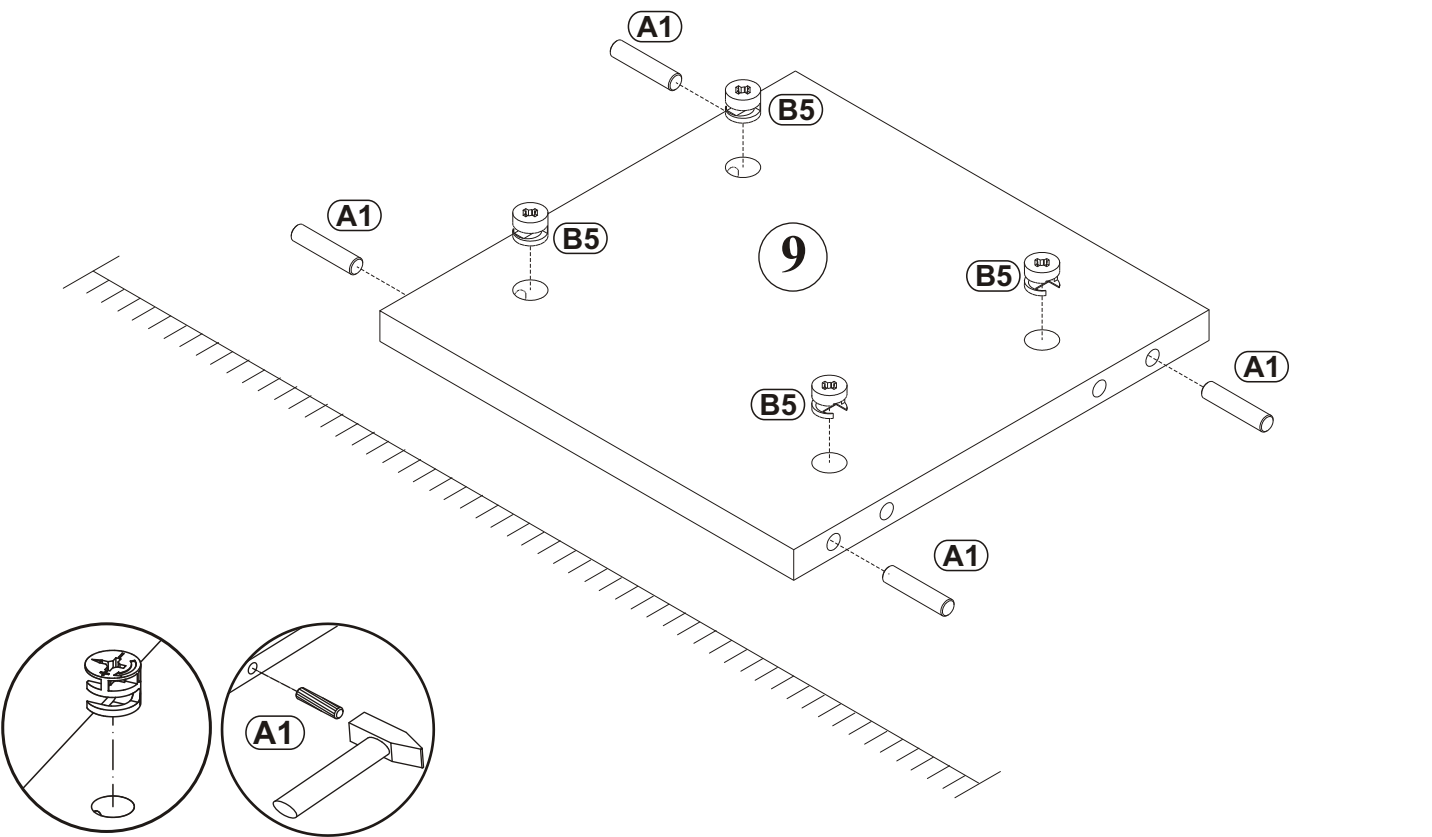
G30		B4	
x2		x6	34

G20	
x1	



6

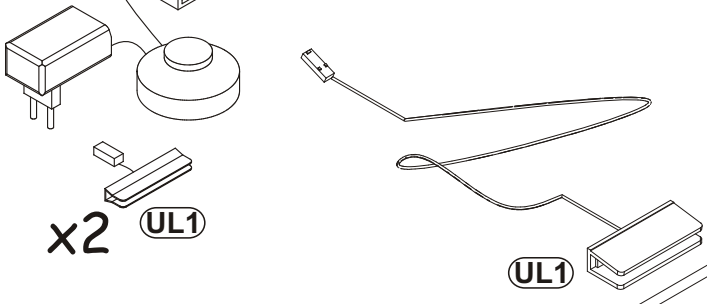
A1		B5	
x4	ø8x36	x4	ø15x12





UL1	
x2	1x2

7 x1

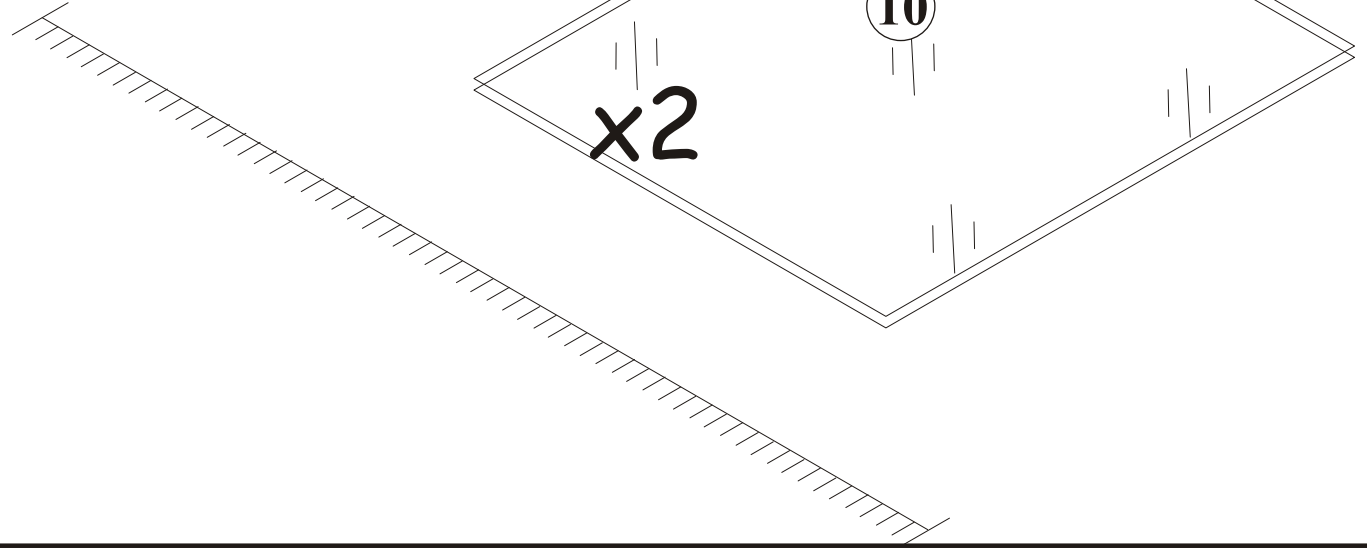


x2 UL1

UL1

10

x2



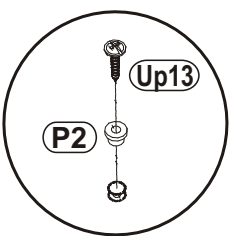
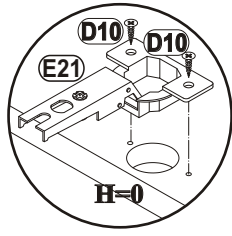
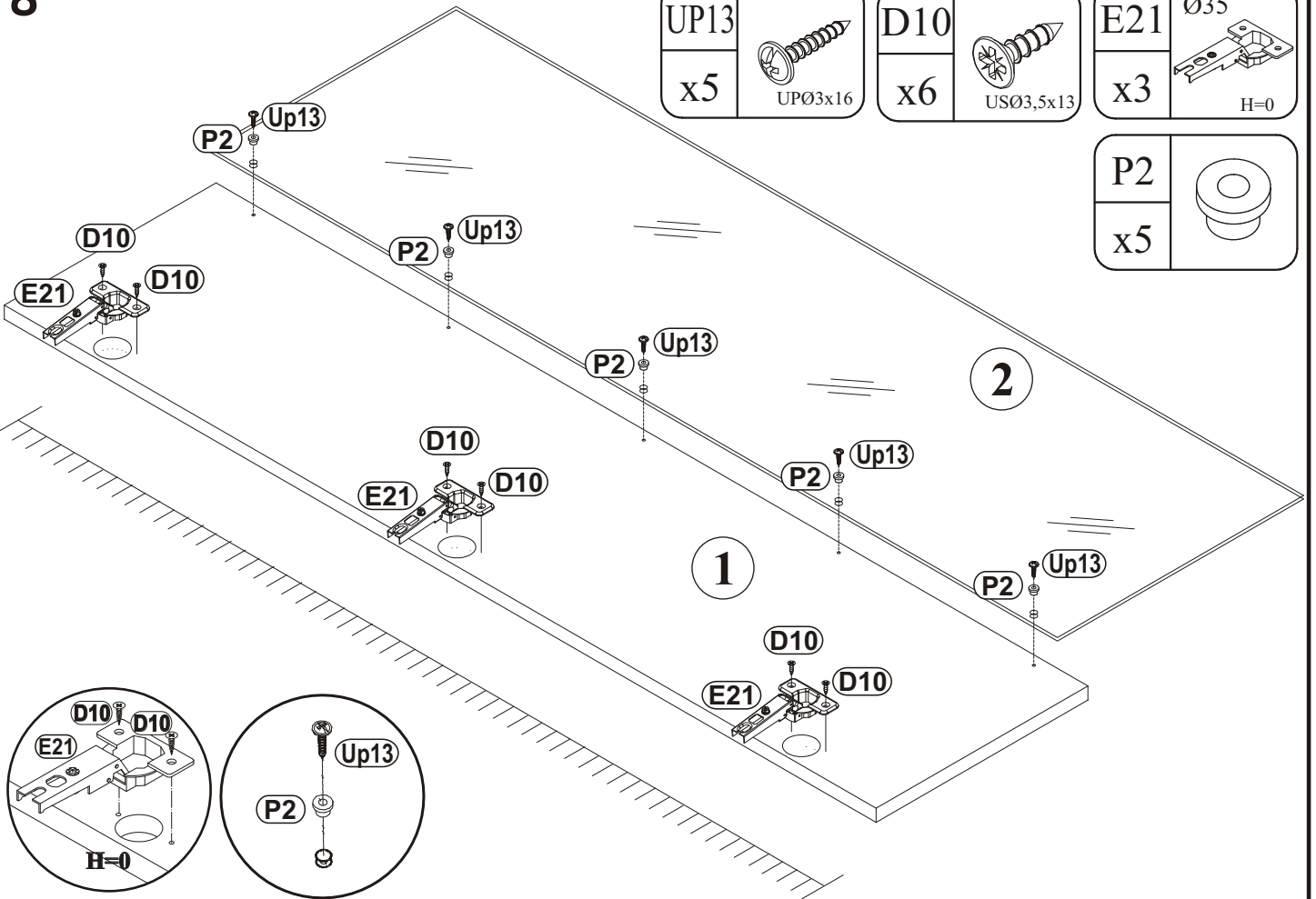
8

UP13	
x5	UPØ3x16

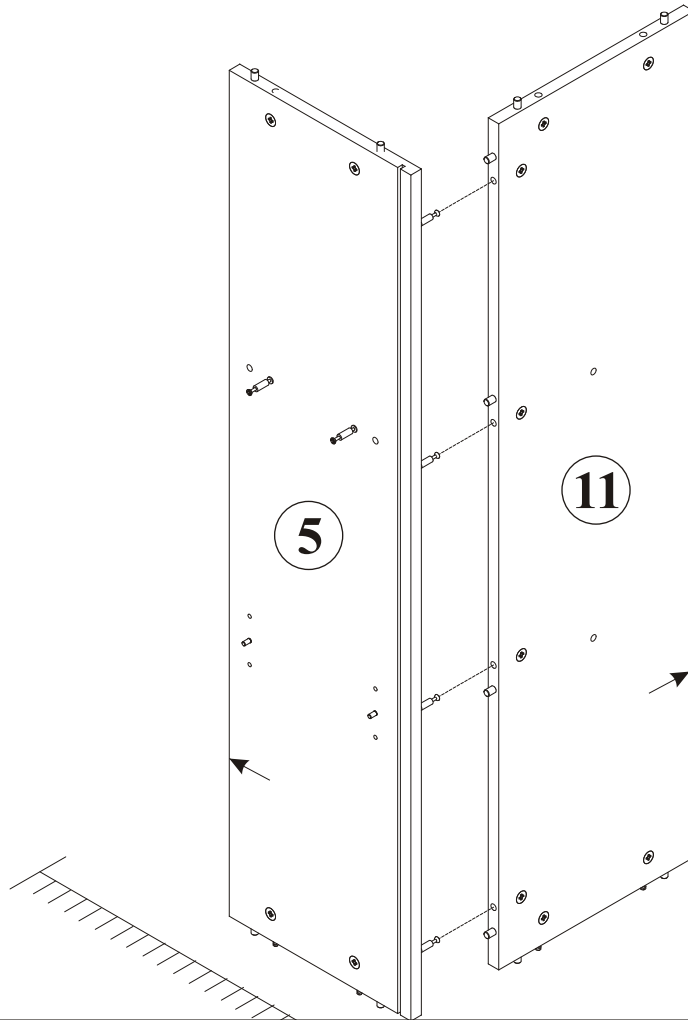
D10	
x6	USØ3,5x13

E21	Ø35
x3	H=0

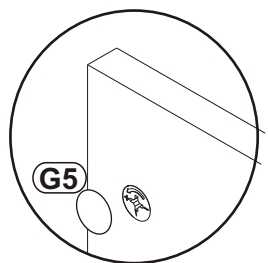
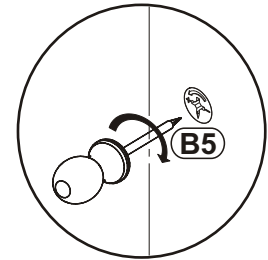
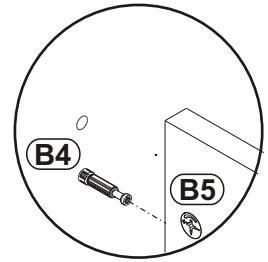
P2	
x5	



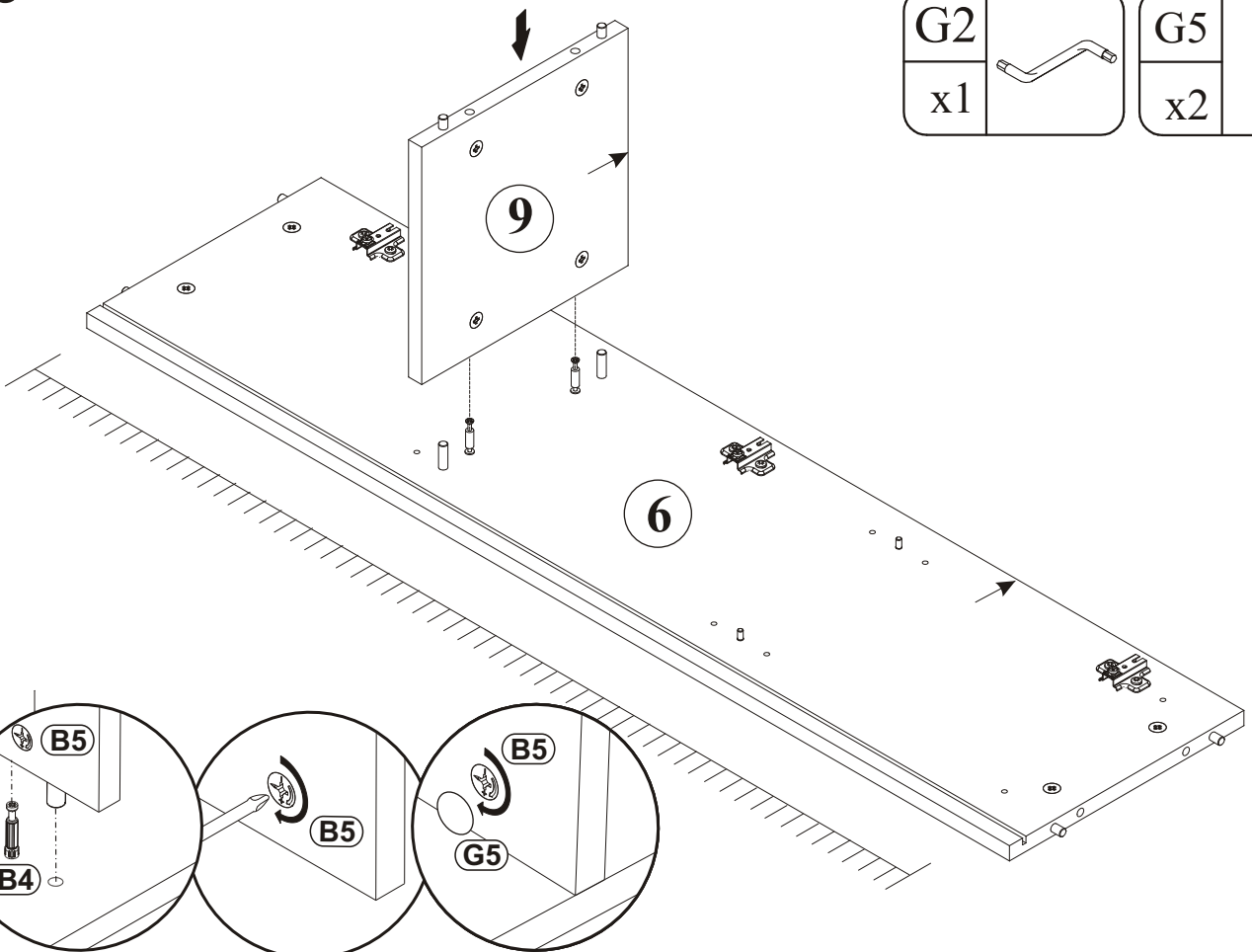
9



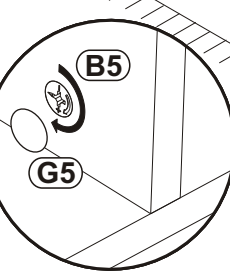
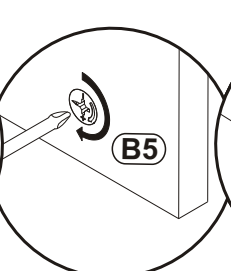
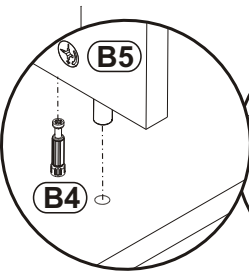
G2		G5	
x1		x4	



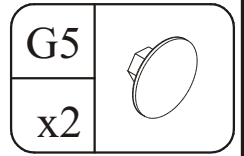
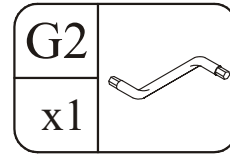
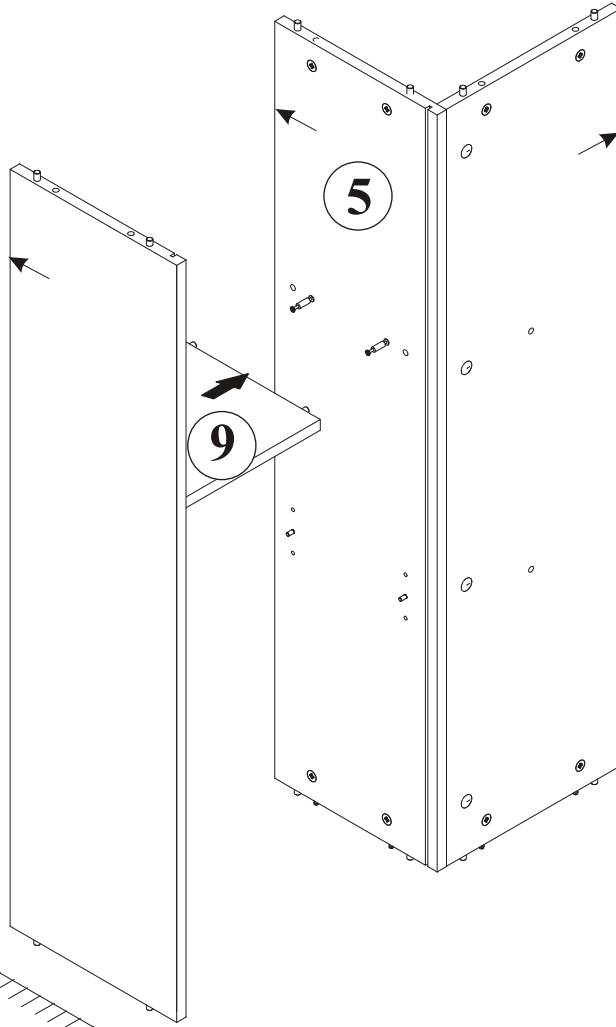
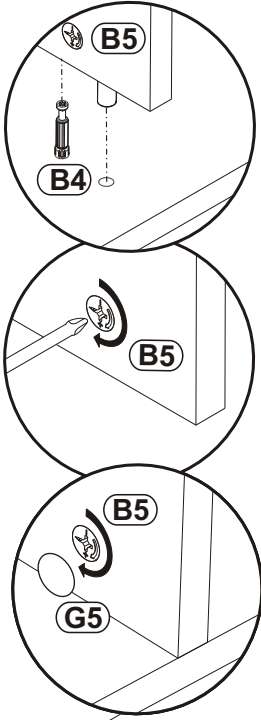
10



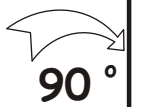
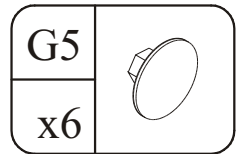
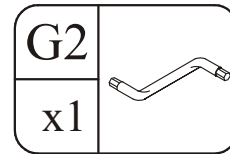
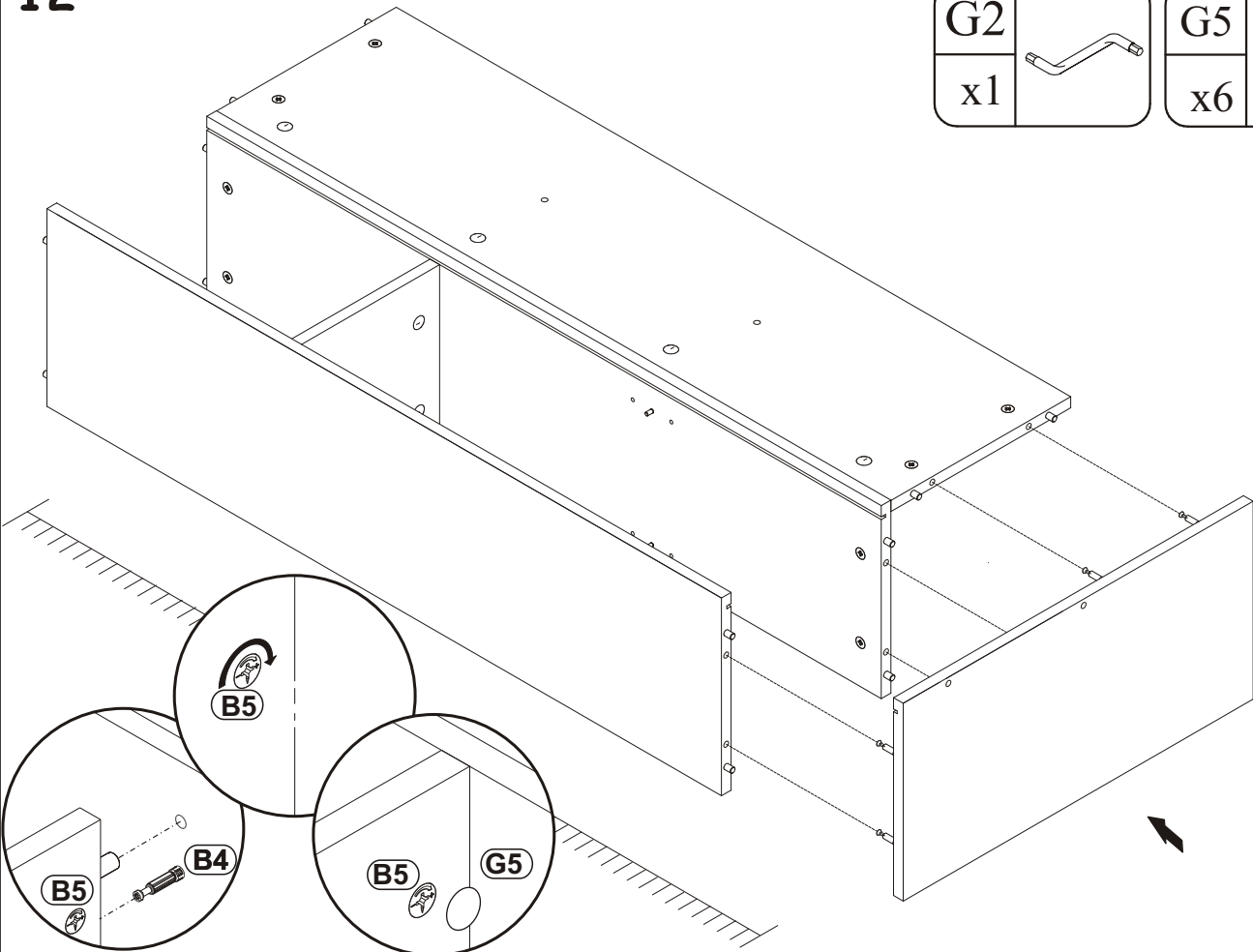
G2		G5	
x1		x2	



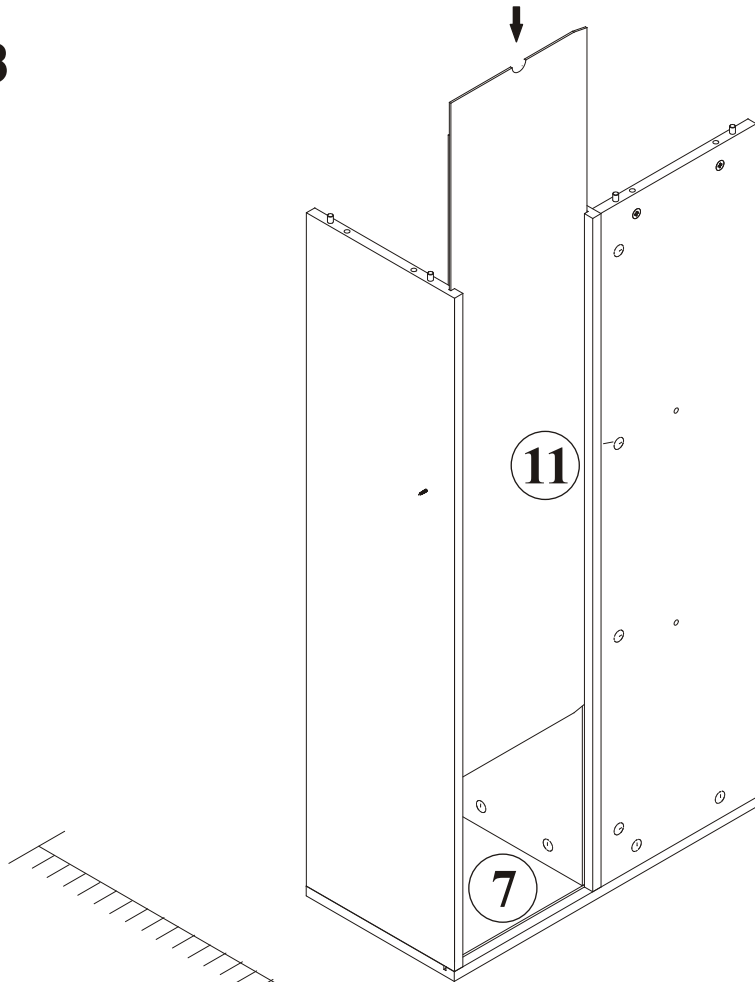
11



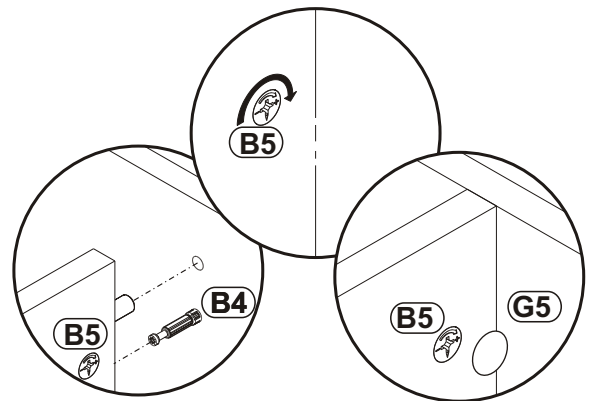
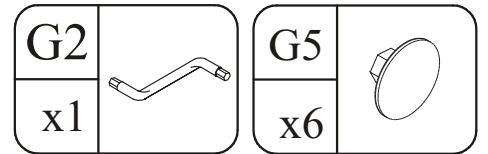
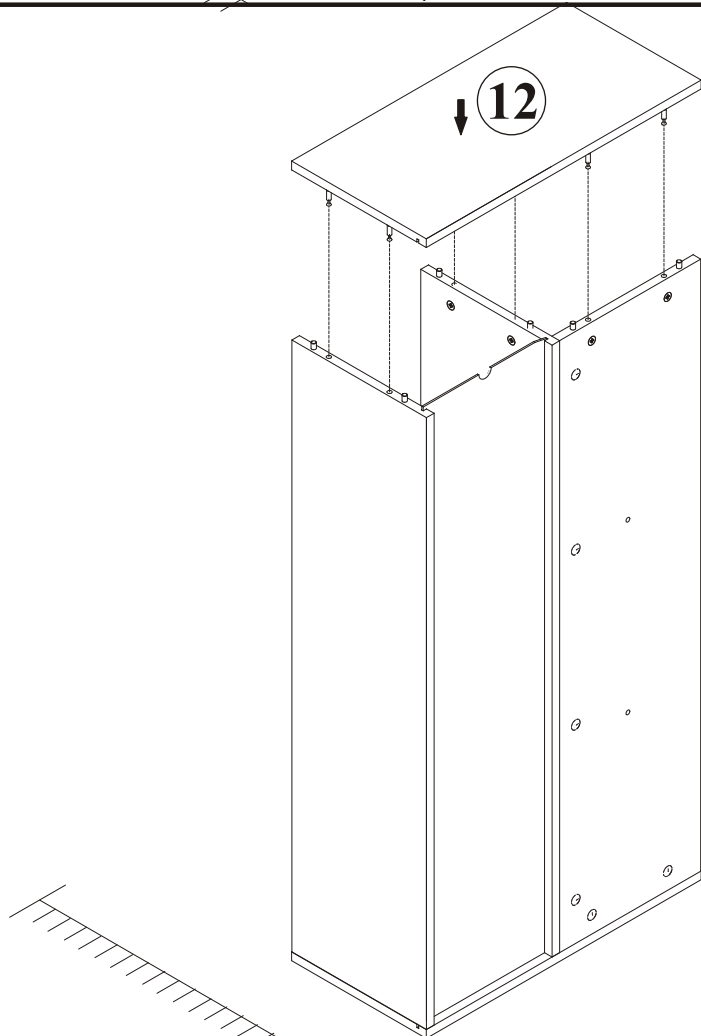
12



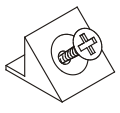
13

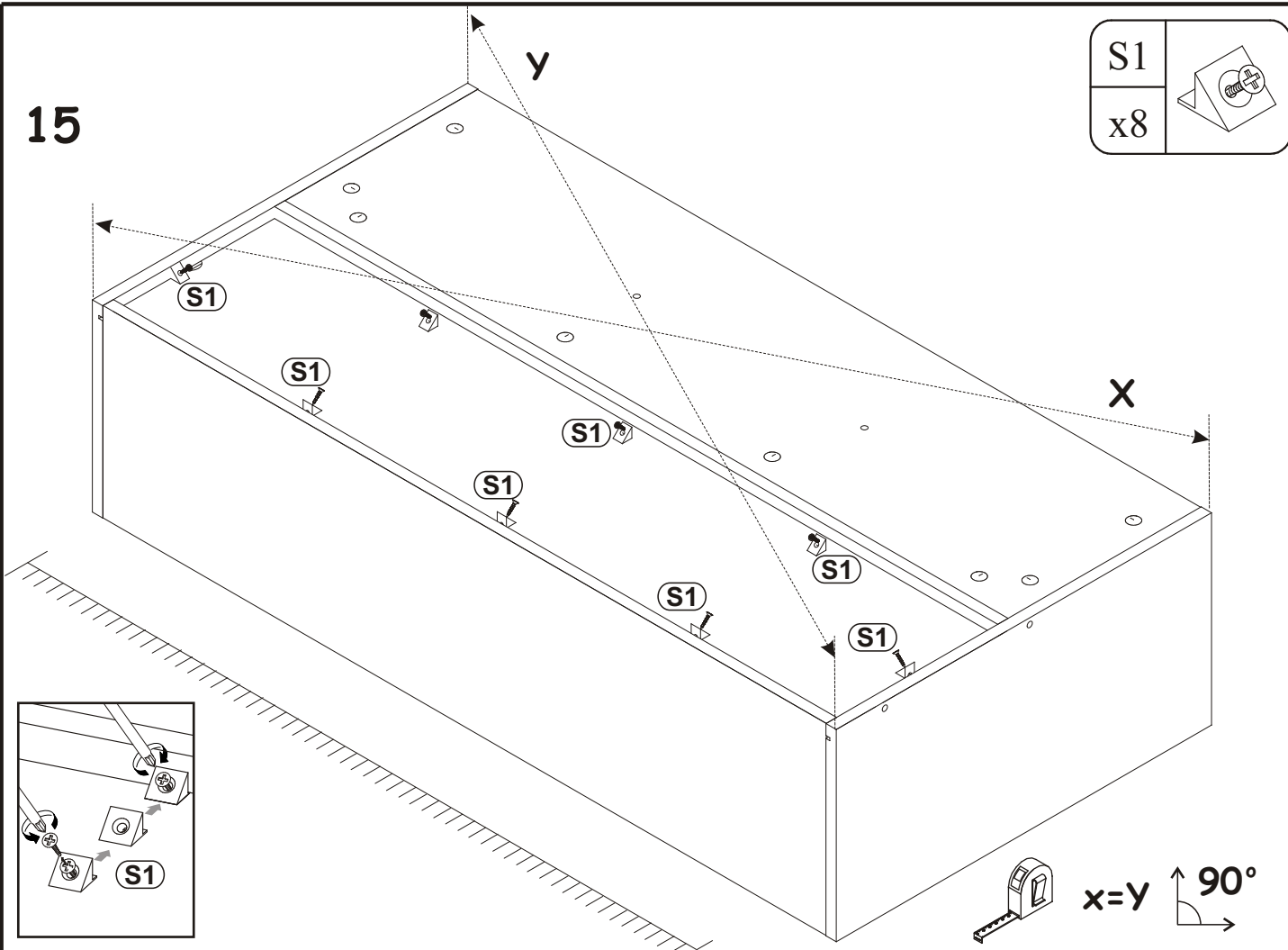


14

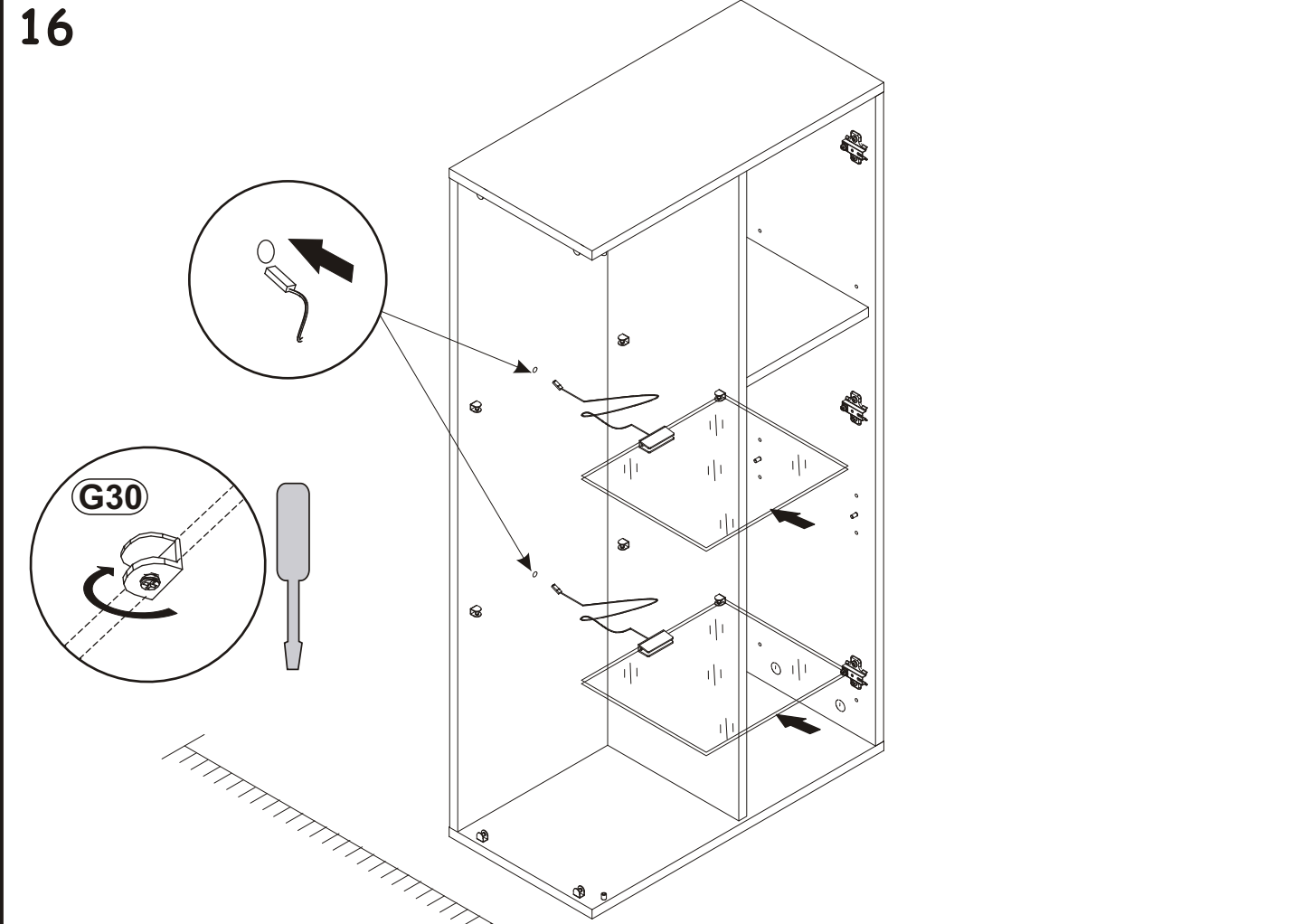


15

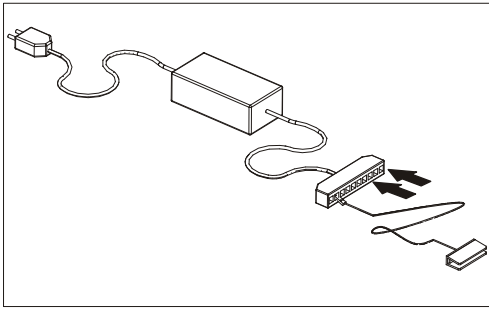
S1	
x8	



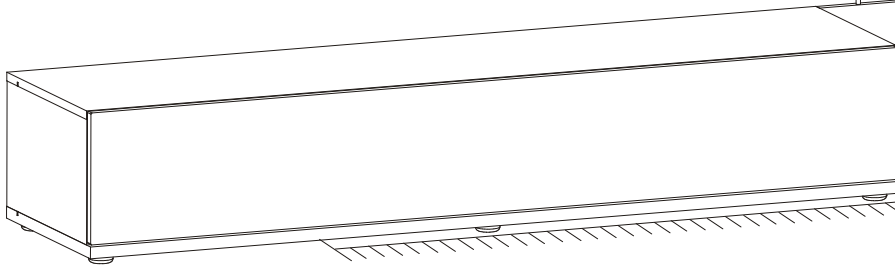
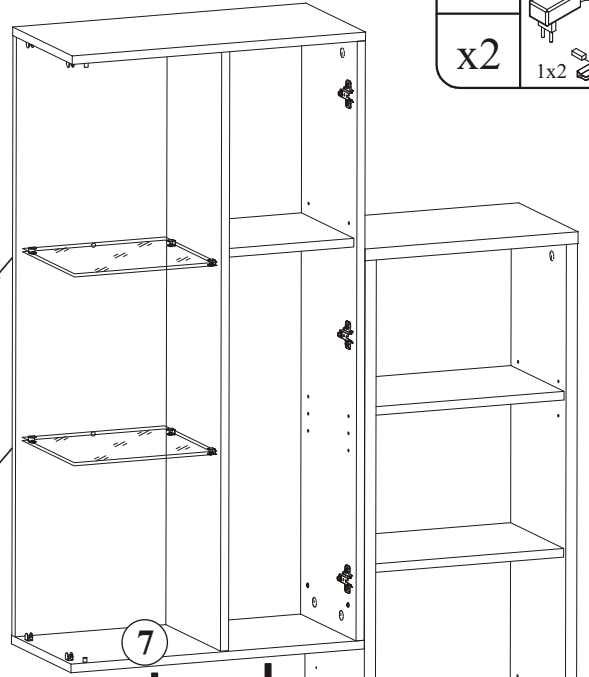
16



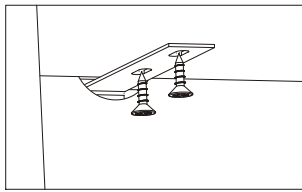
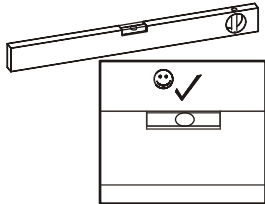
17



UL1	
x2	1x2



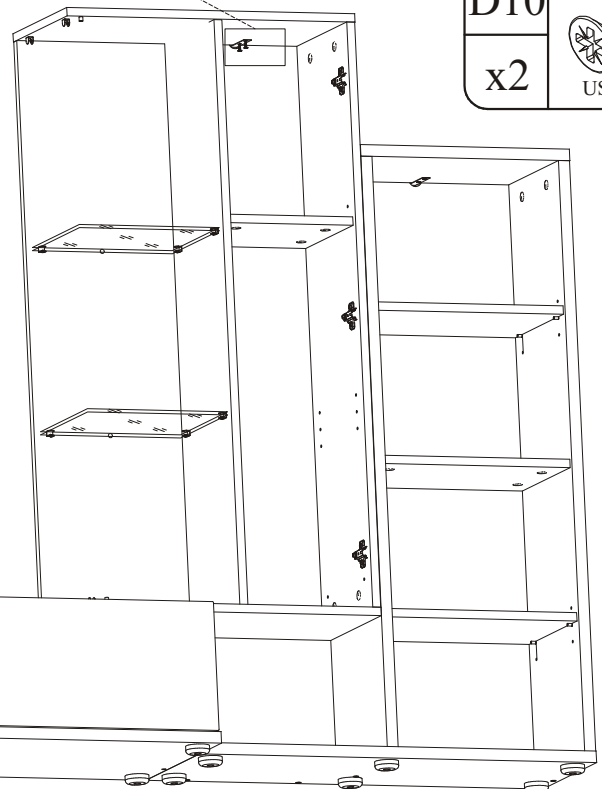
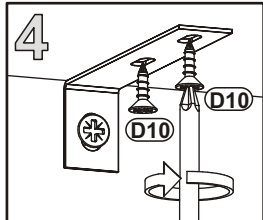
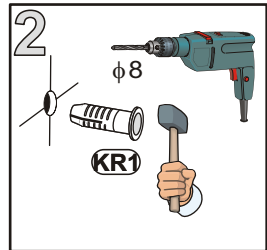
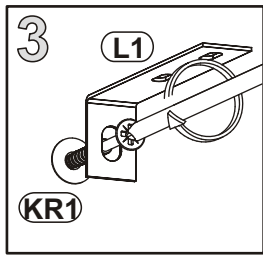
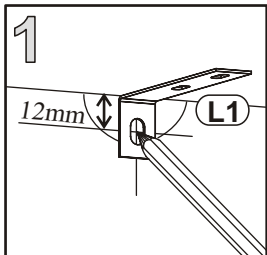
18



KR1	
x1	Ø8

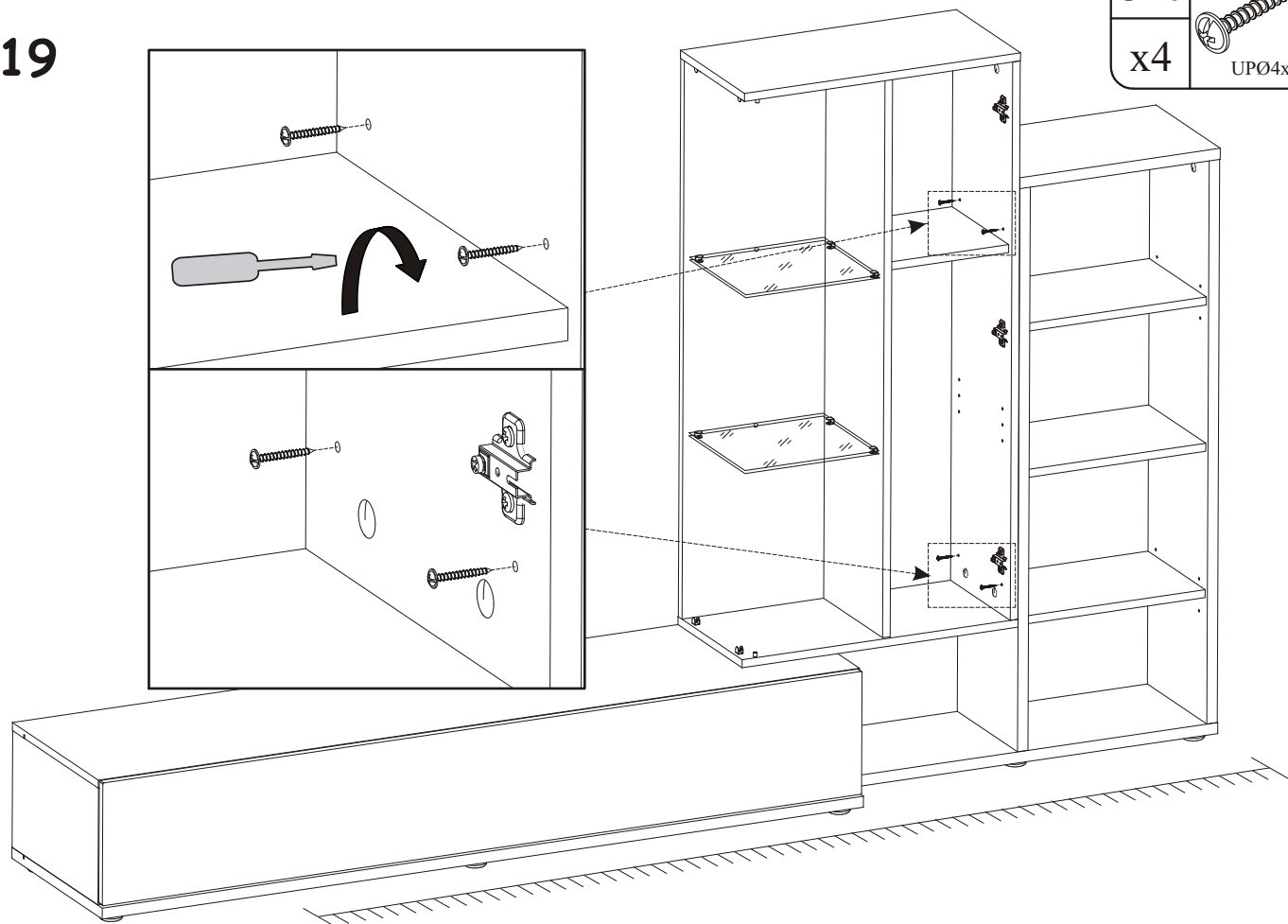
L1	
x1	

D10	
x2	USØ3,5x13

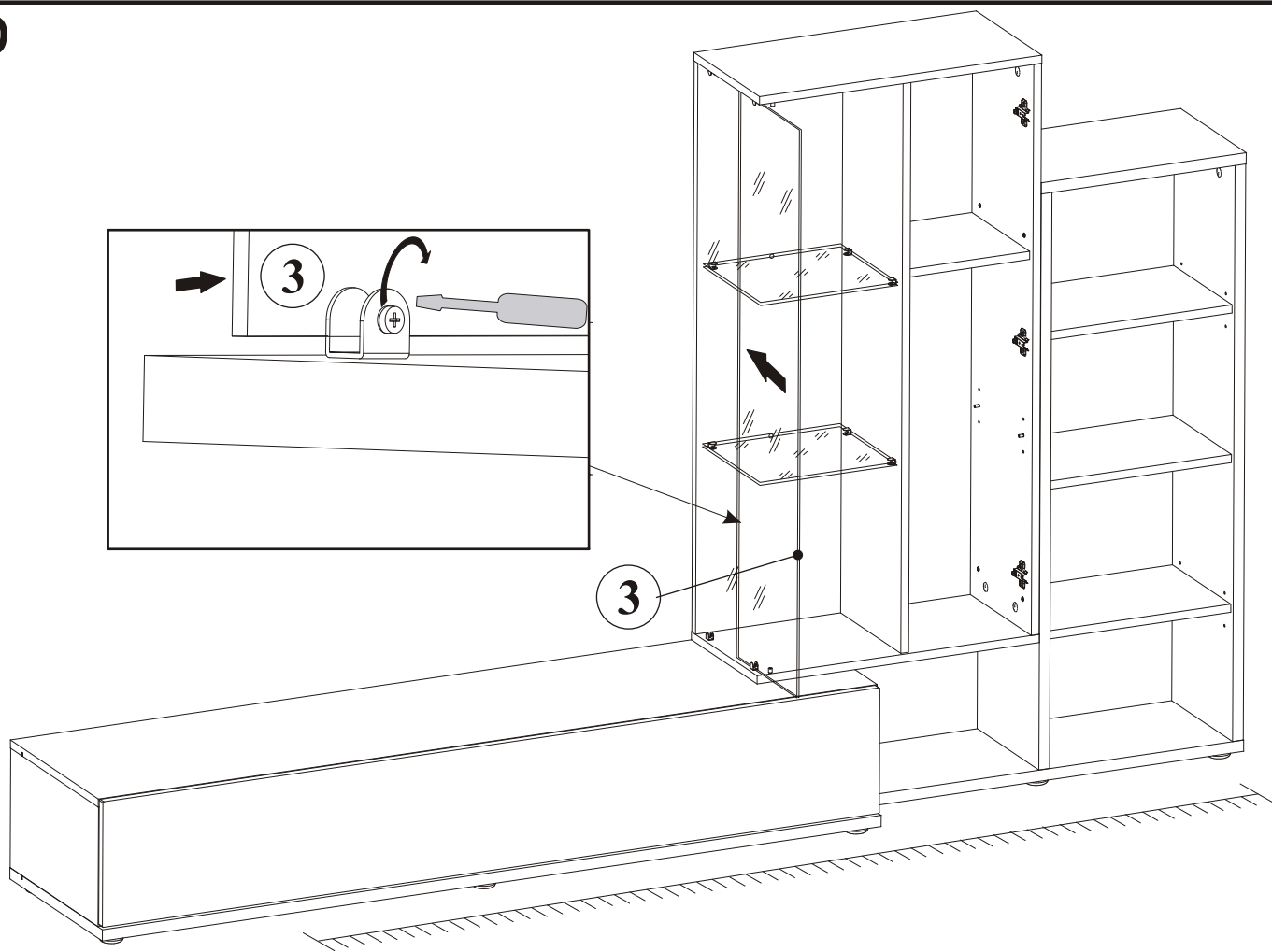


19

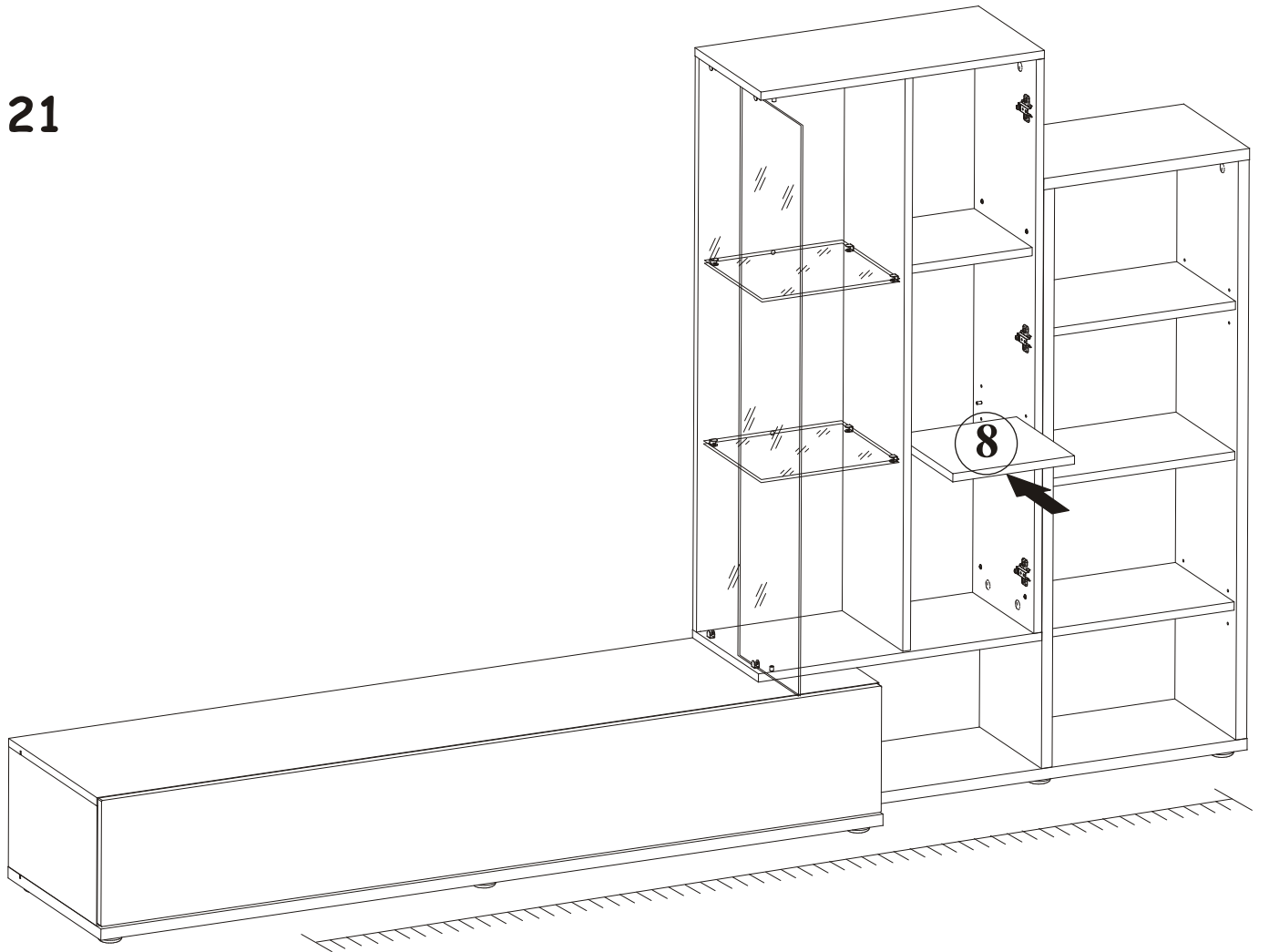
UP6  
x4  
UPØ4x30



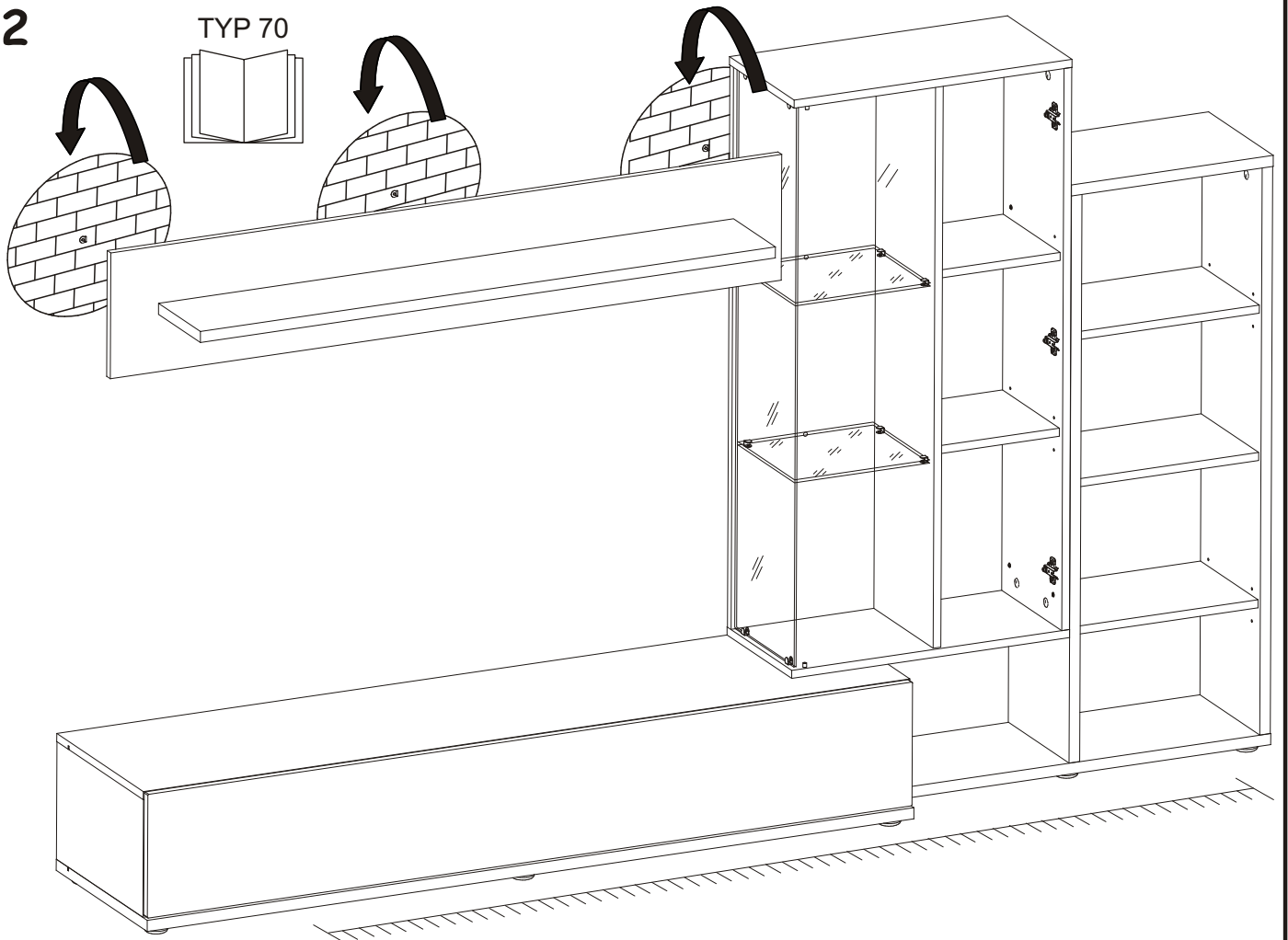
20



21

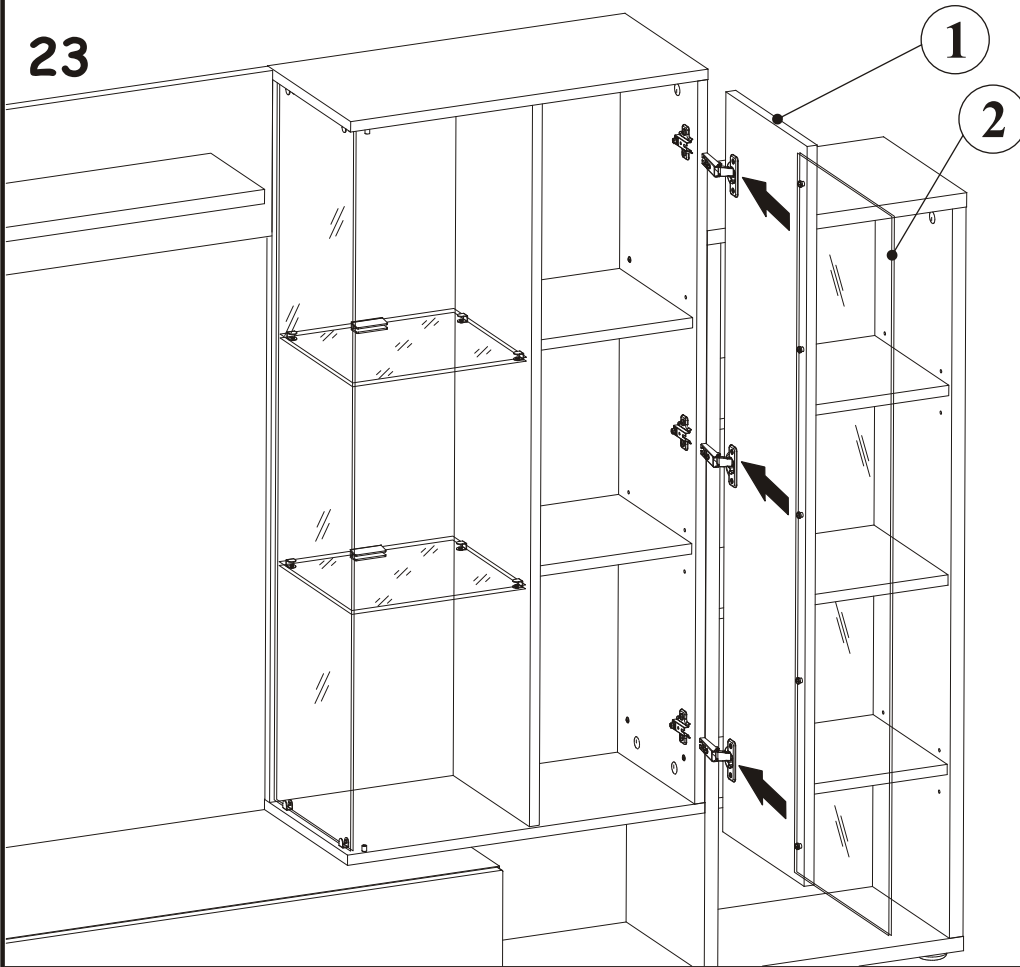


22





23



24

