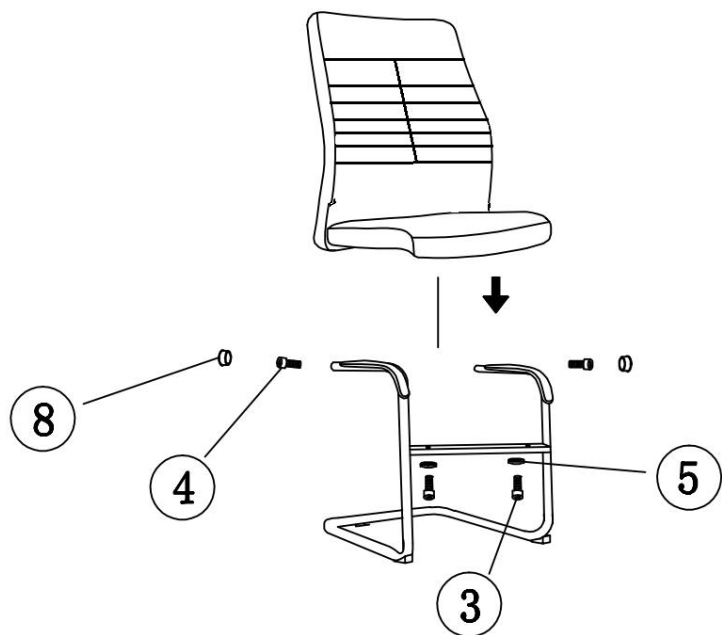
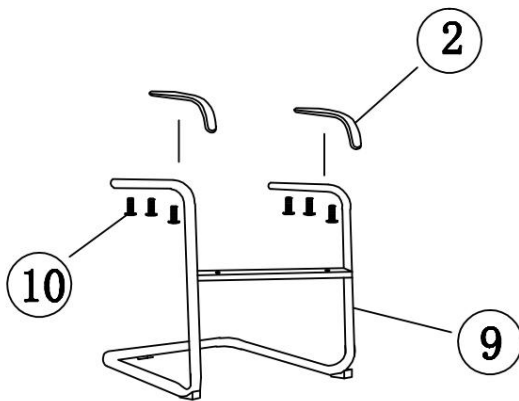
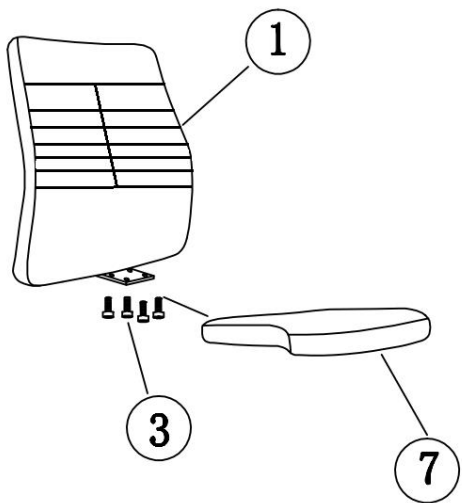


**2**

| NO. | Accessories | Size  | QTY |
|-----|-------------|-------|-----|
| ①   |             |       | 1   |
| ②   |             |       | 2   |
| ③   |             | M6x20 | 6   |
| ④   |             | M8x40 | 2   |
| ⑤   |             | 6x16  | 2   |
| ⑥   |             | 5mm   | 1   |
| ⑦   |             |       | 1   |
| ⑧   |             |       | 2   |
| ⑨   |             |       | 1   |
| ⑩   |             | M6x25 | 6   |
| ⑪   |             | 4mm   | 1   |
|     |             |       |     |
|     |             |       |     |