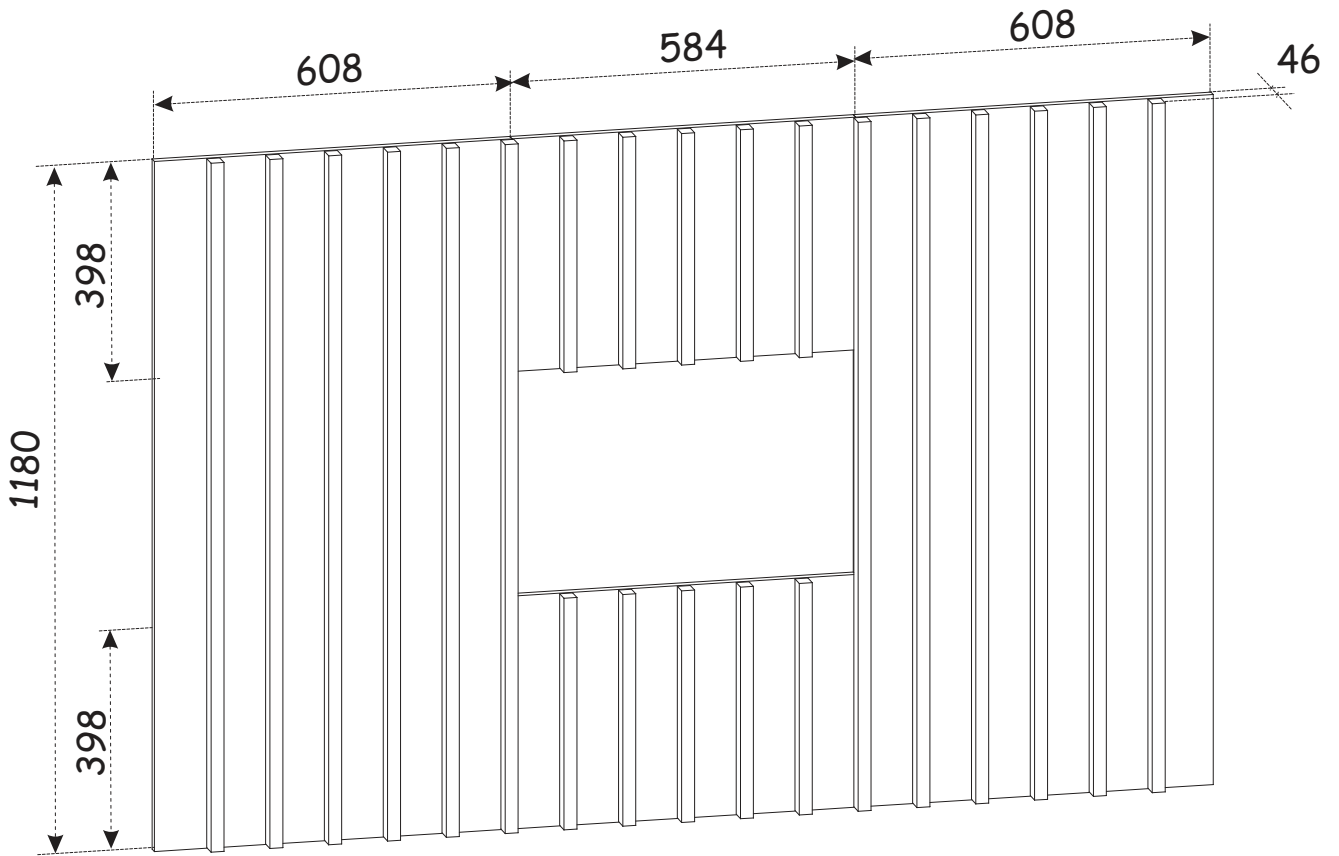
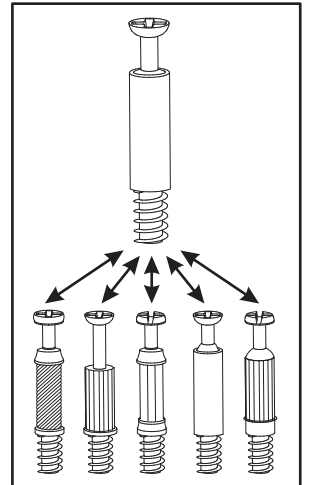
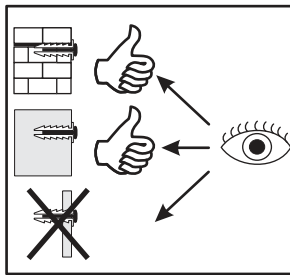
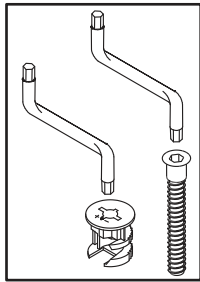
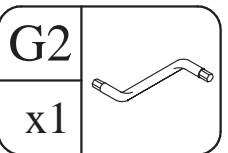
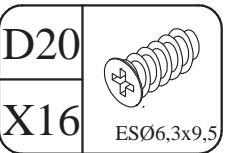
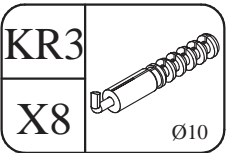
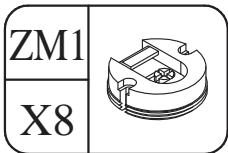
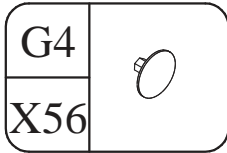
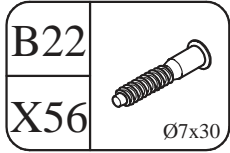
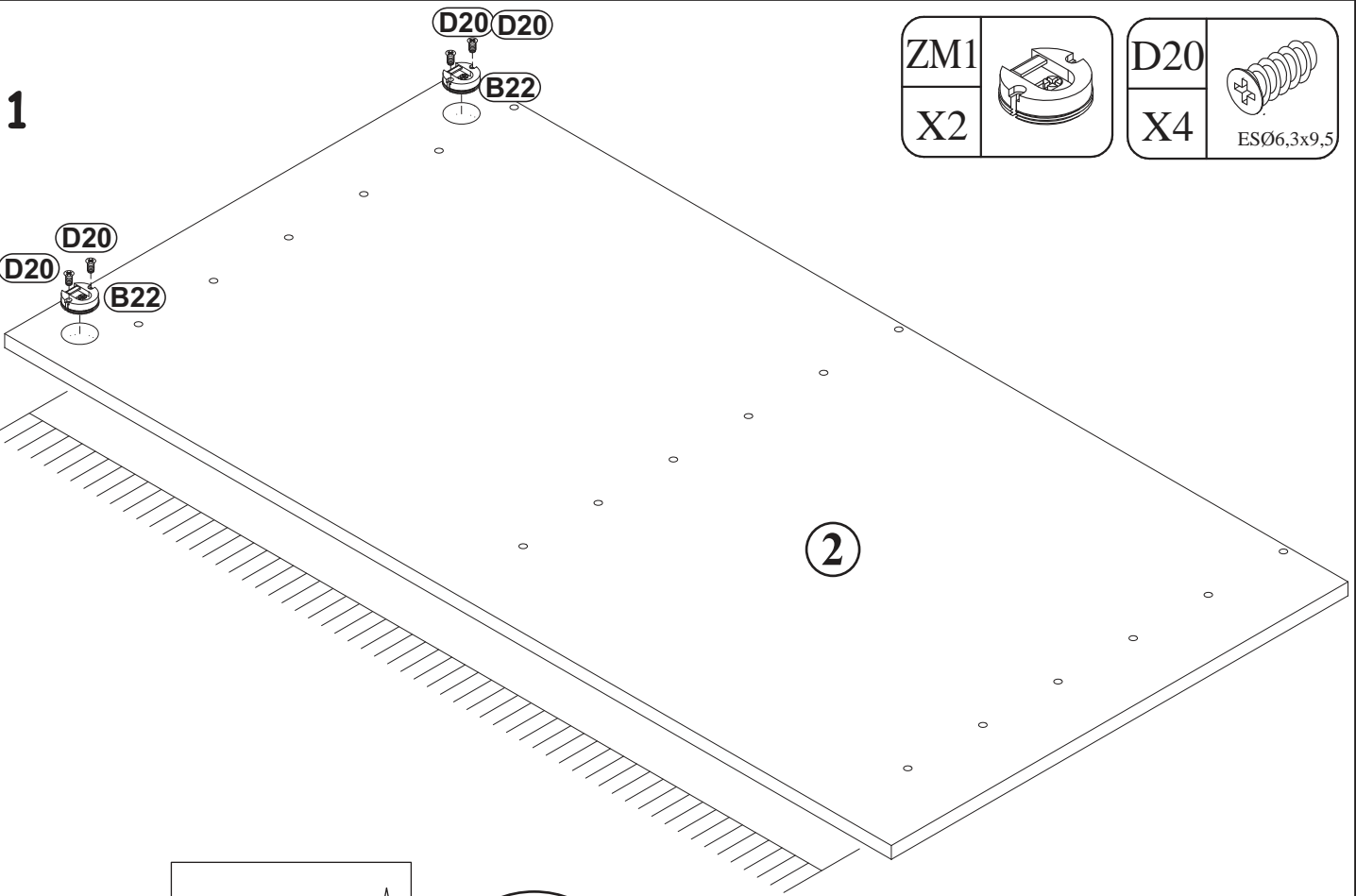


NO	DIM [mm]		COL.-NO	QTY
1	1180	608	16 3/4	1
2	1180	608	16 3/4	1
3	398	584	16 4/4	2
4	396	30	22 4/4	10
5	1178	30	22 3/4	12





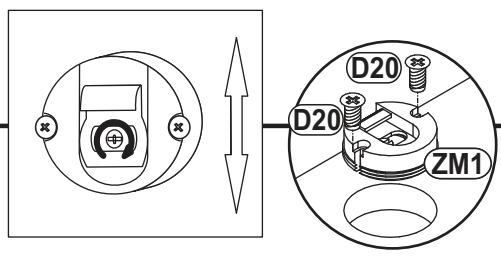
1



ZM1	
X2	

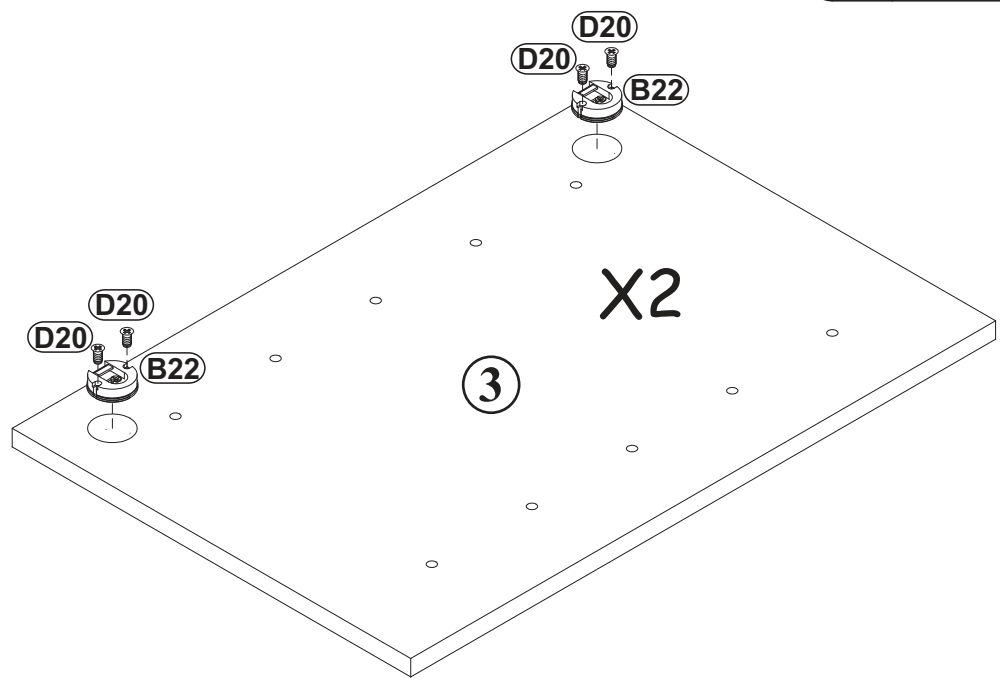
D20	
X4	

2

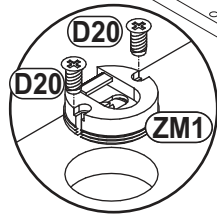
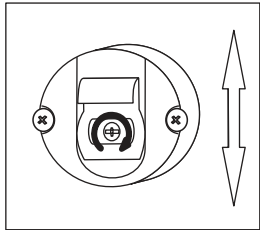
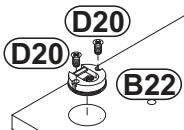
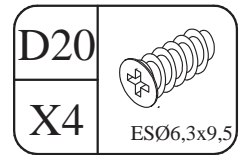
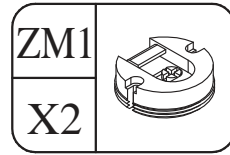
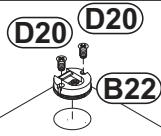


ZM1	
X4	

D20	
X8	

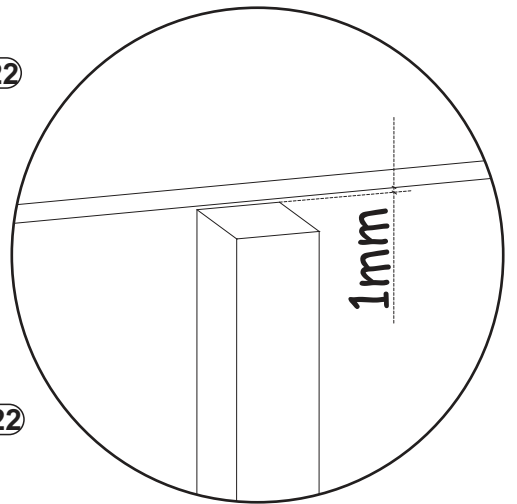
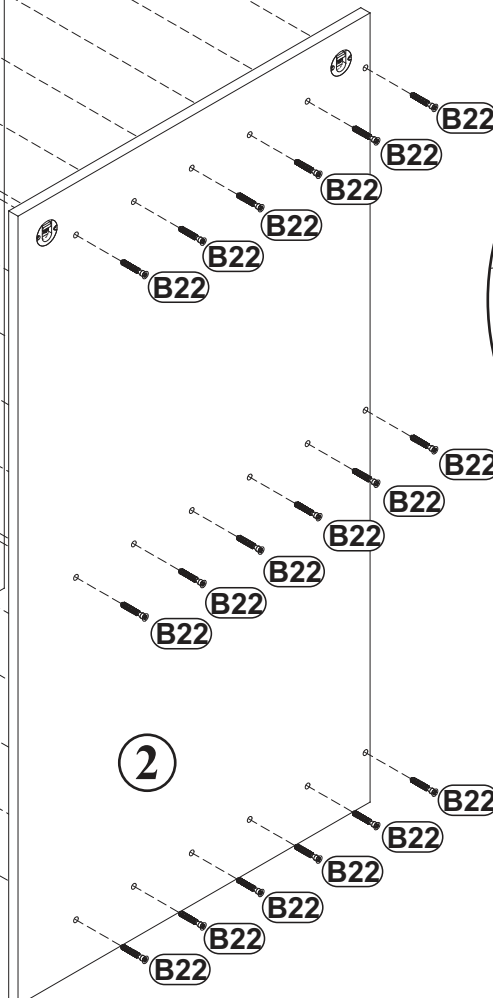
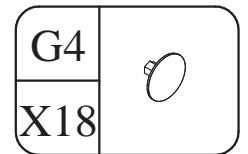
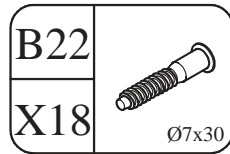
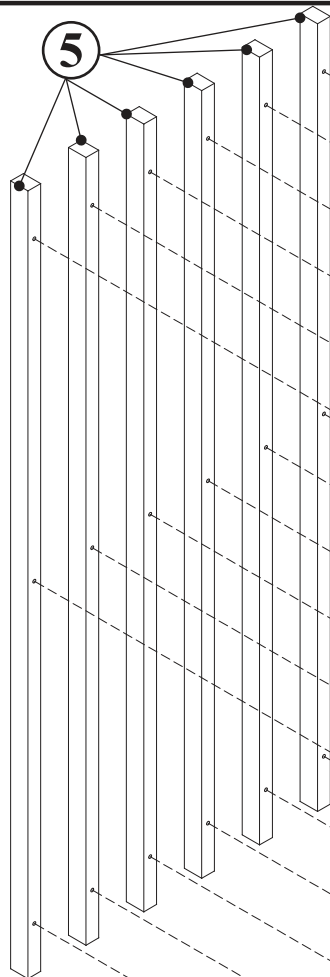


3

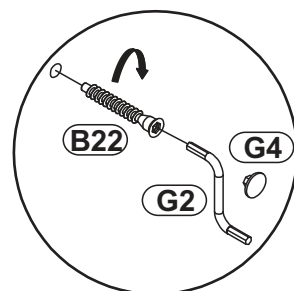


1

4





2

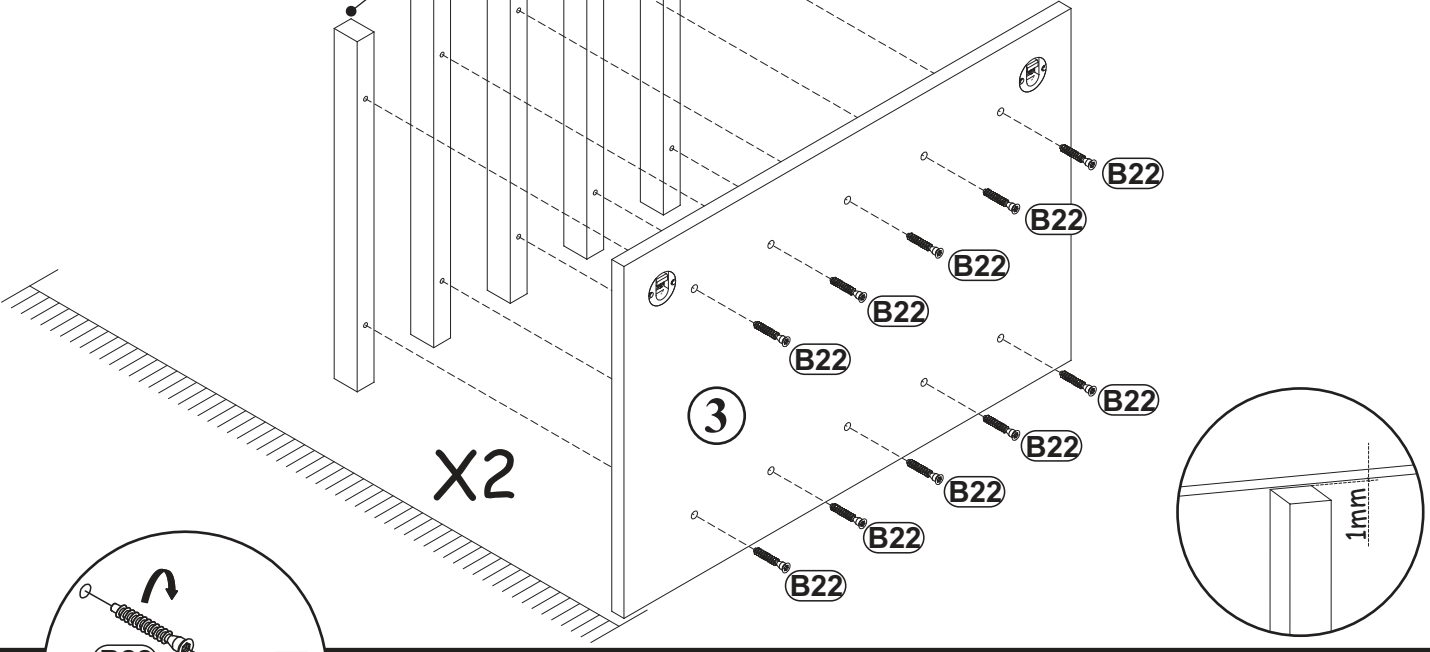


5

4


B22	
X20	


G4	
X20	

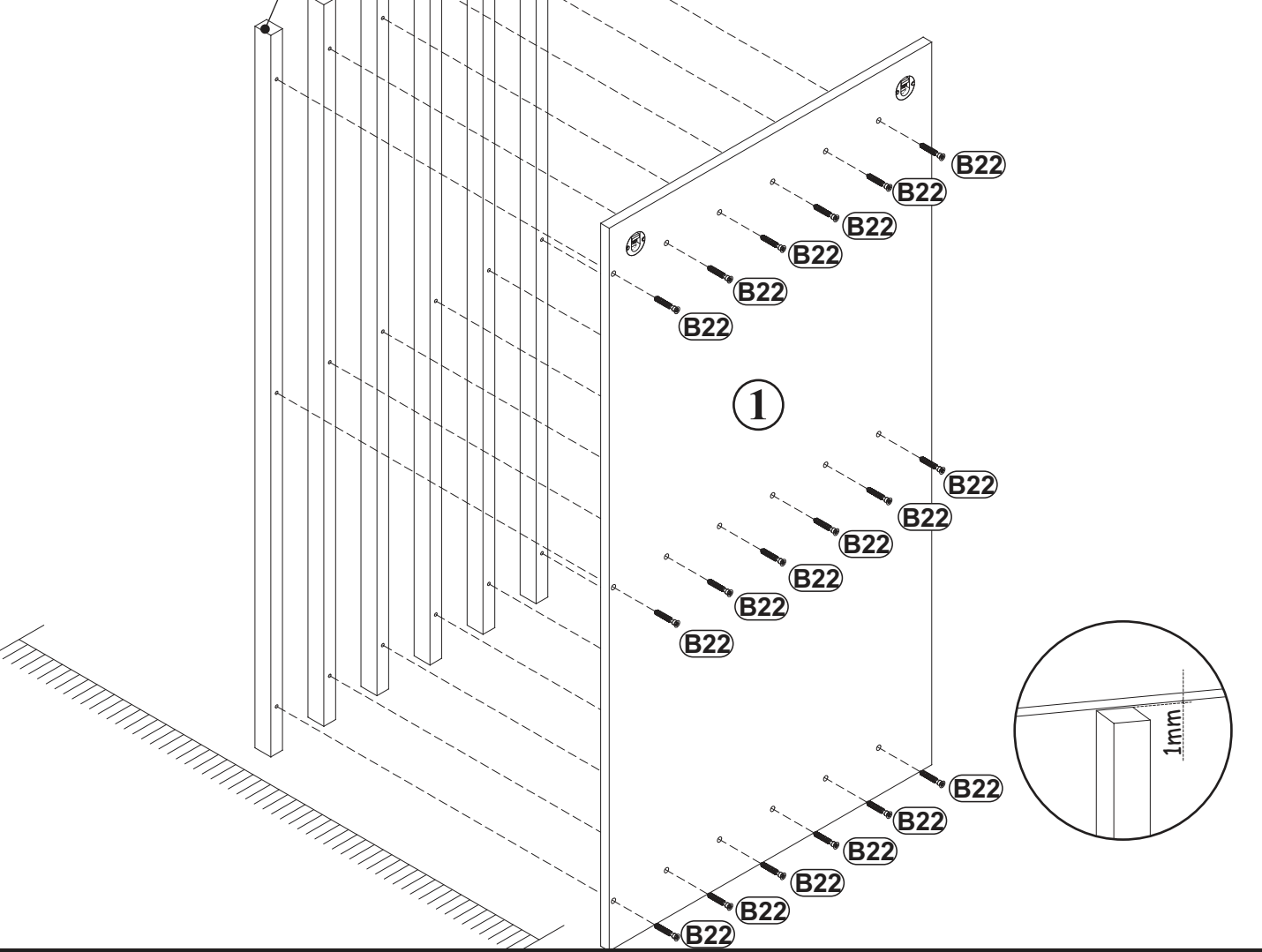


6

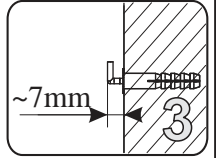
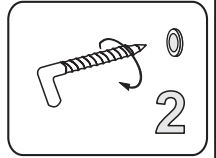
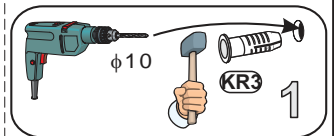
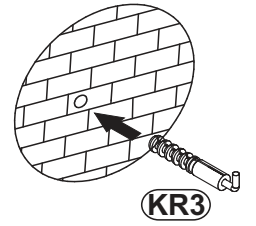
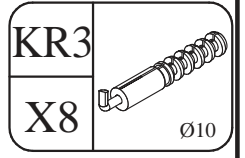
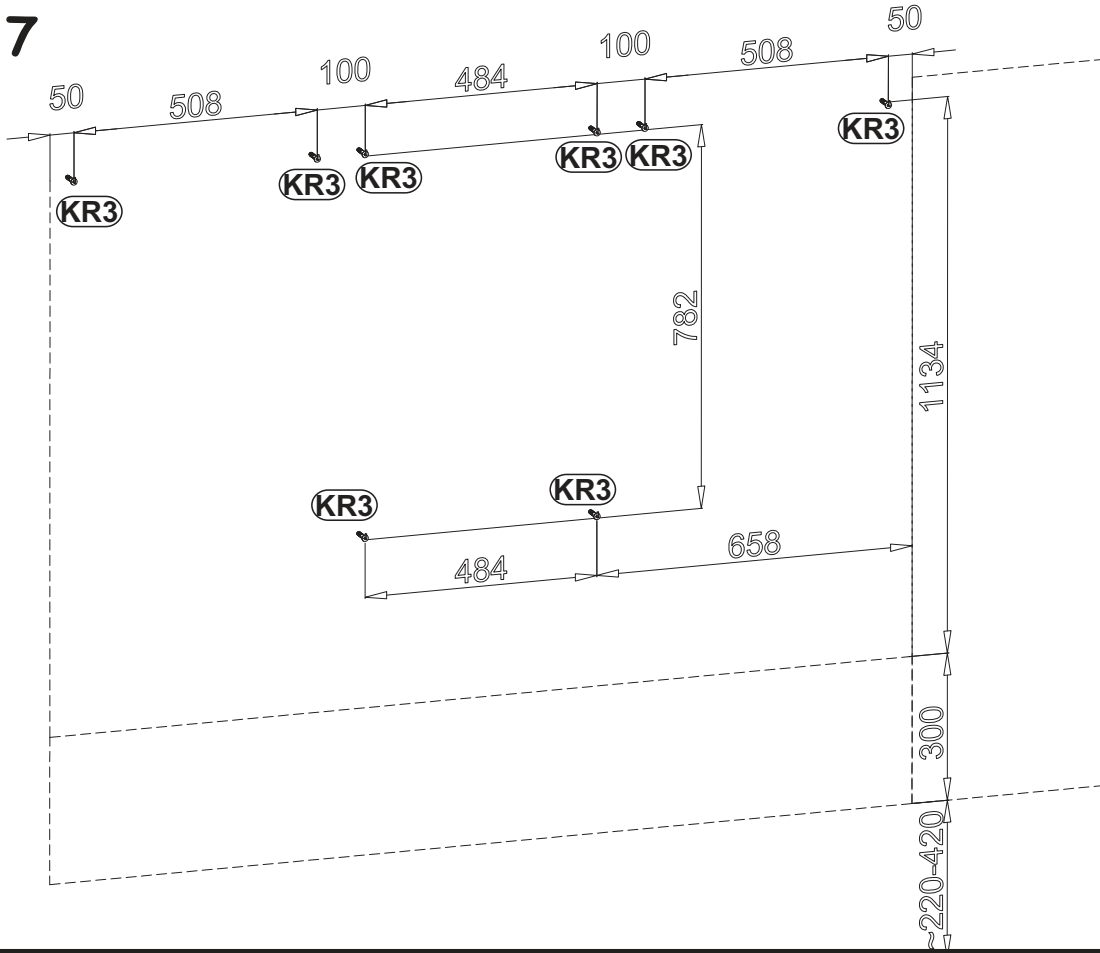
5

B22	
X18	

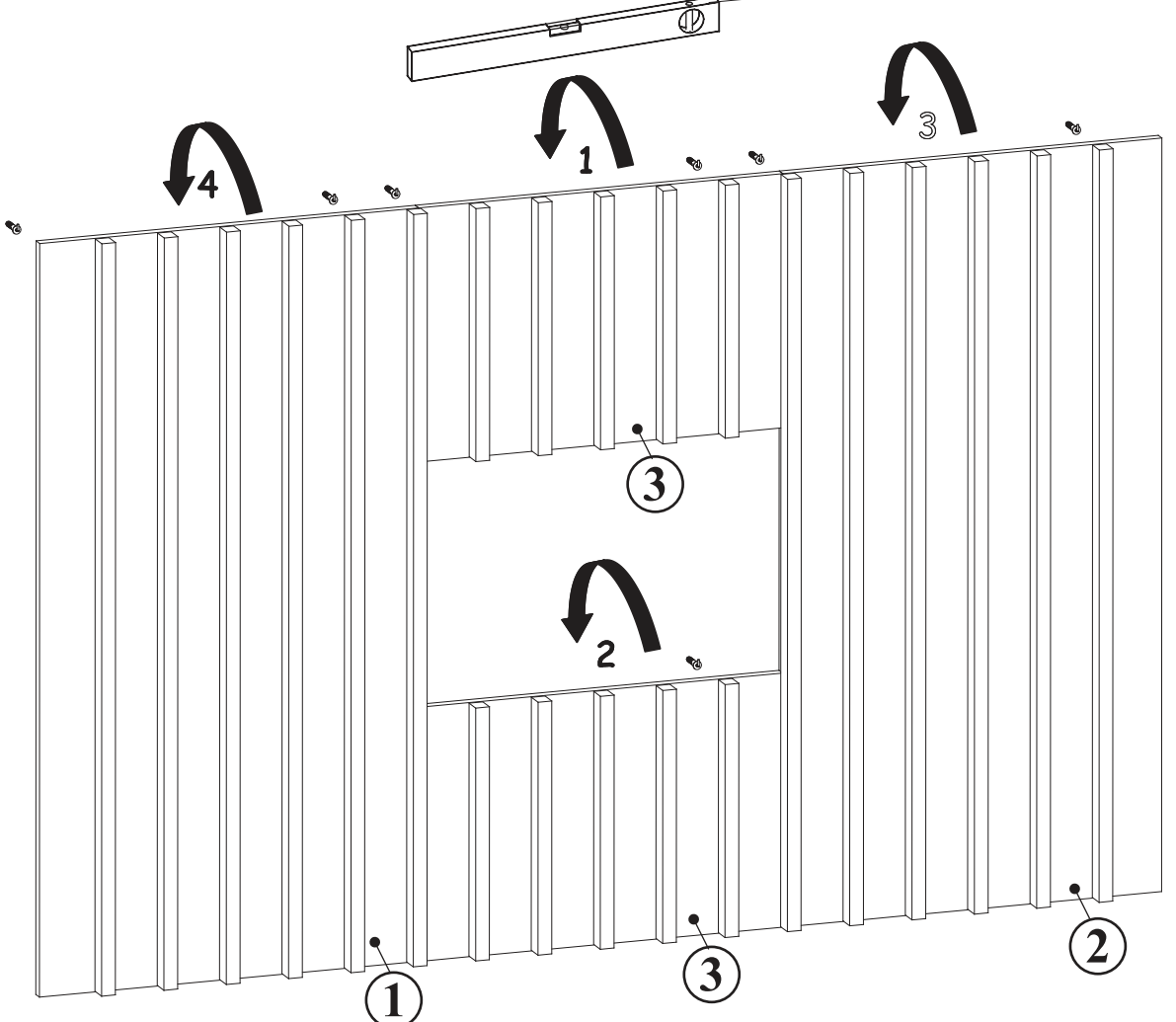
G4	
X18	

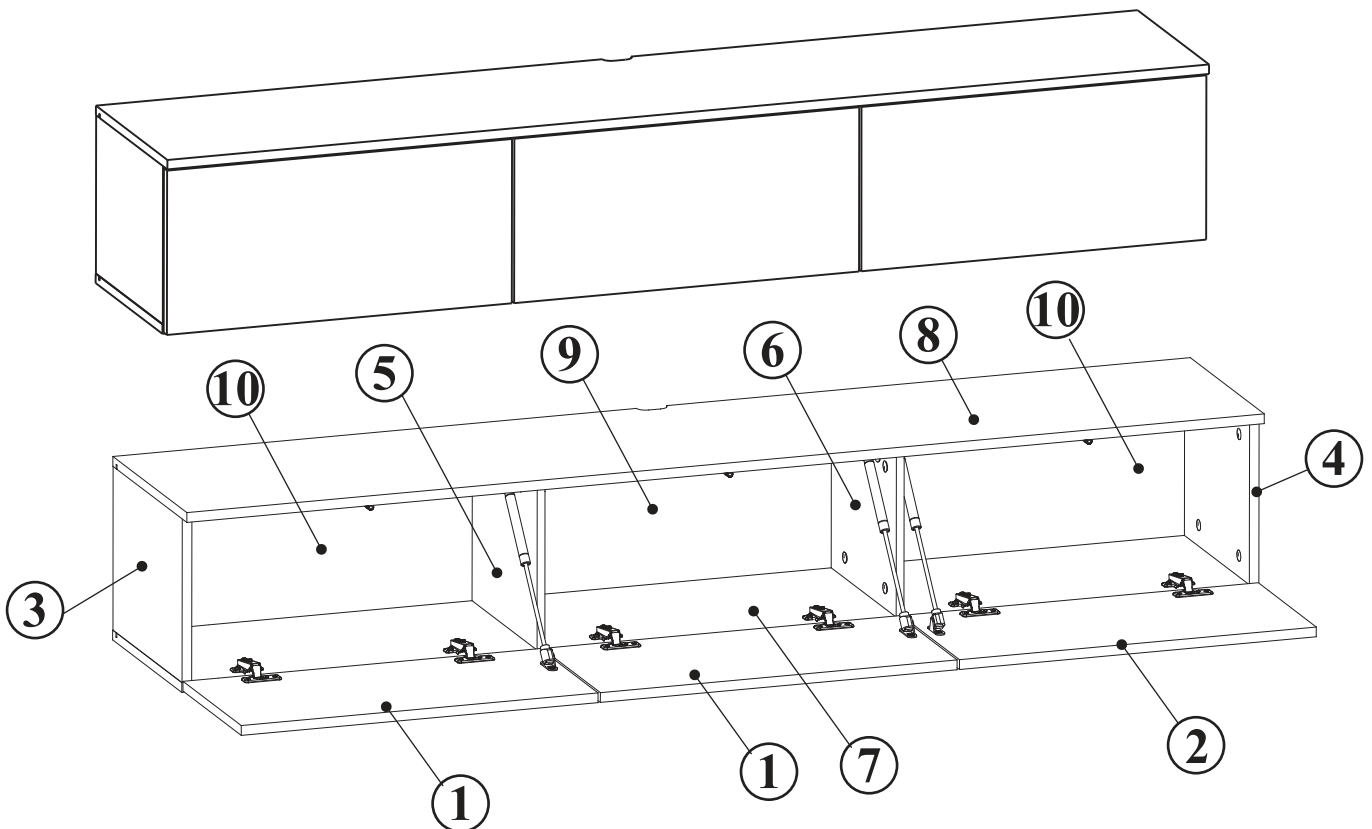
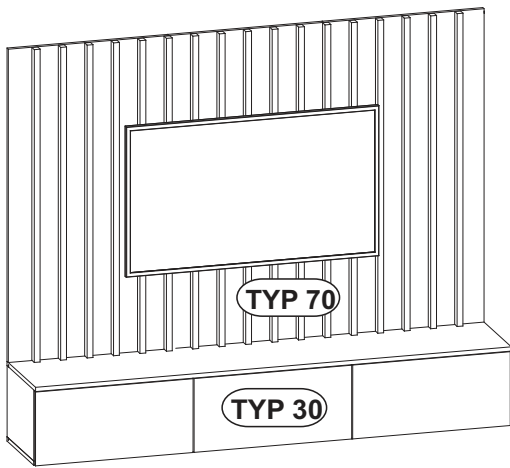


7

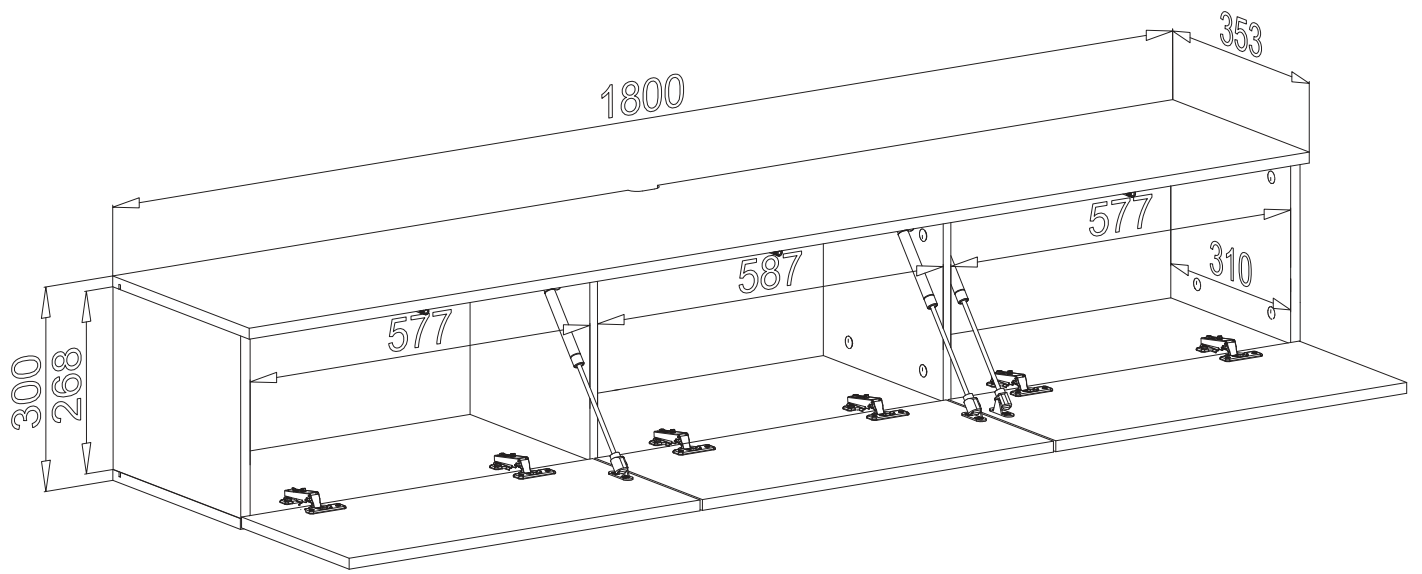


8

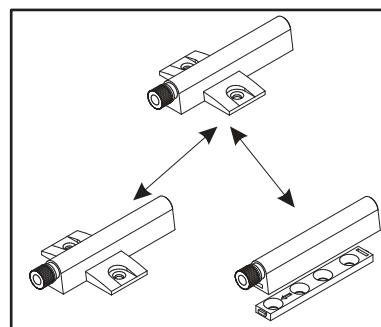
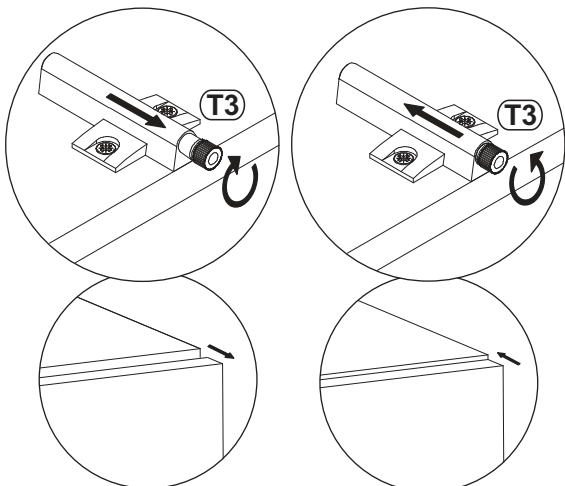
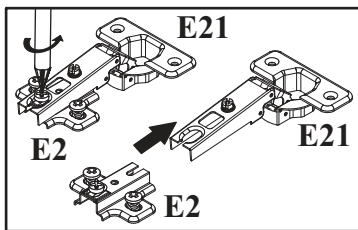
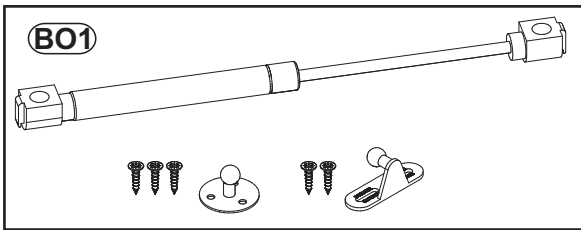
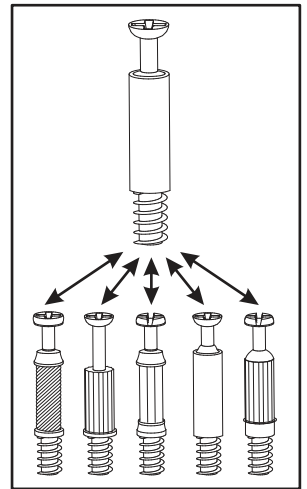
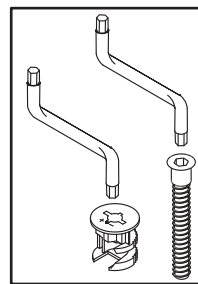
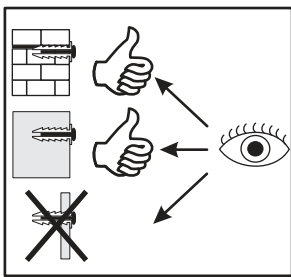




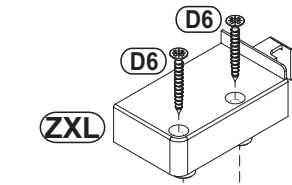
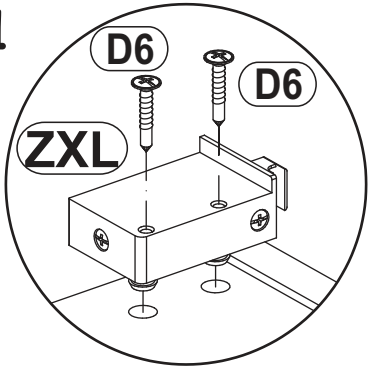
NO	DIM [mm]		COL.-NO	QTY
1	596	278	16 1/4	2
2	596	278	16 1/4	1
3	268	330	16 1/4	1
4	268	330	16 1/4	1
5	268	310	16 1/4	1
6	268	310	16 1/4	1
7	1800	330	16 1/4	1
8	1800	353	16 1/4	1
9	280	600	3 1/4	1
10	280	589	3 1/4	2



A1 X16 Ø8x36	B4 X16	B5 X16 Ø15x12	G5 X16	E21 X6 Ø35 H=0	E2 X6 H=0
BO1 X3 OLEJOWY	G16 X4	ZXL X2	ZXP X2	SZ7 X4	KR1 X8 Ø8
S1 X14	D6 X8 USØ3,5x30	D10 X33 USØ3,5x13	UP13 X4 UPØ3x16	T3/T5 x3	G2 x1



1

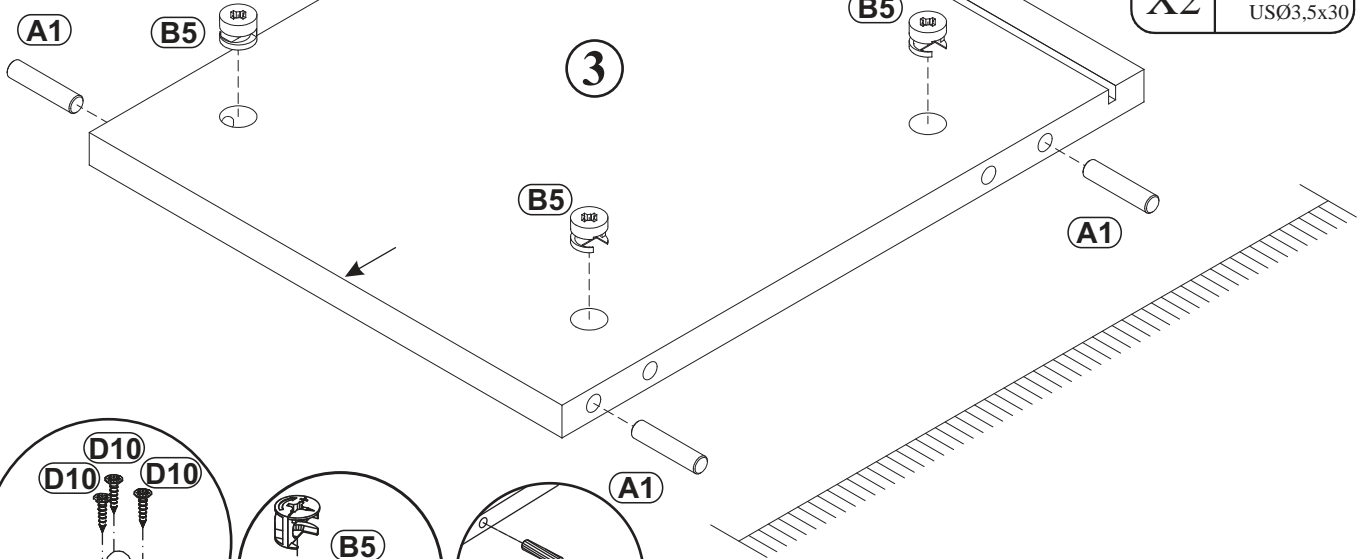


A1	
X4	Ø8x36

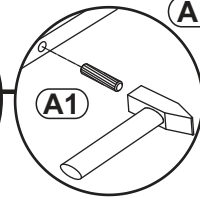
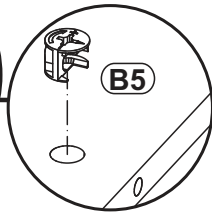
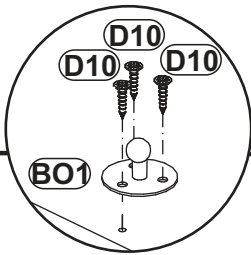
B5	
X4	Ø15x12

ZXL	
X1	

D6	
X2	USØ3,5x30



2

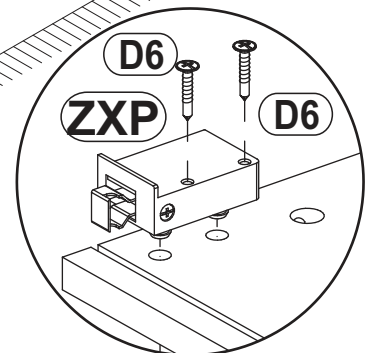
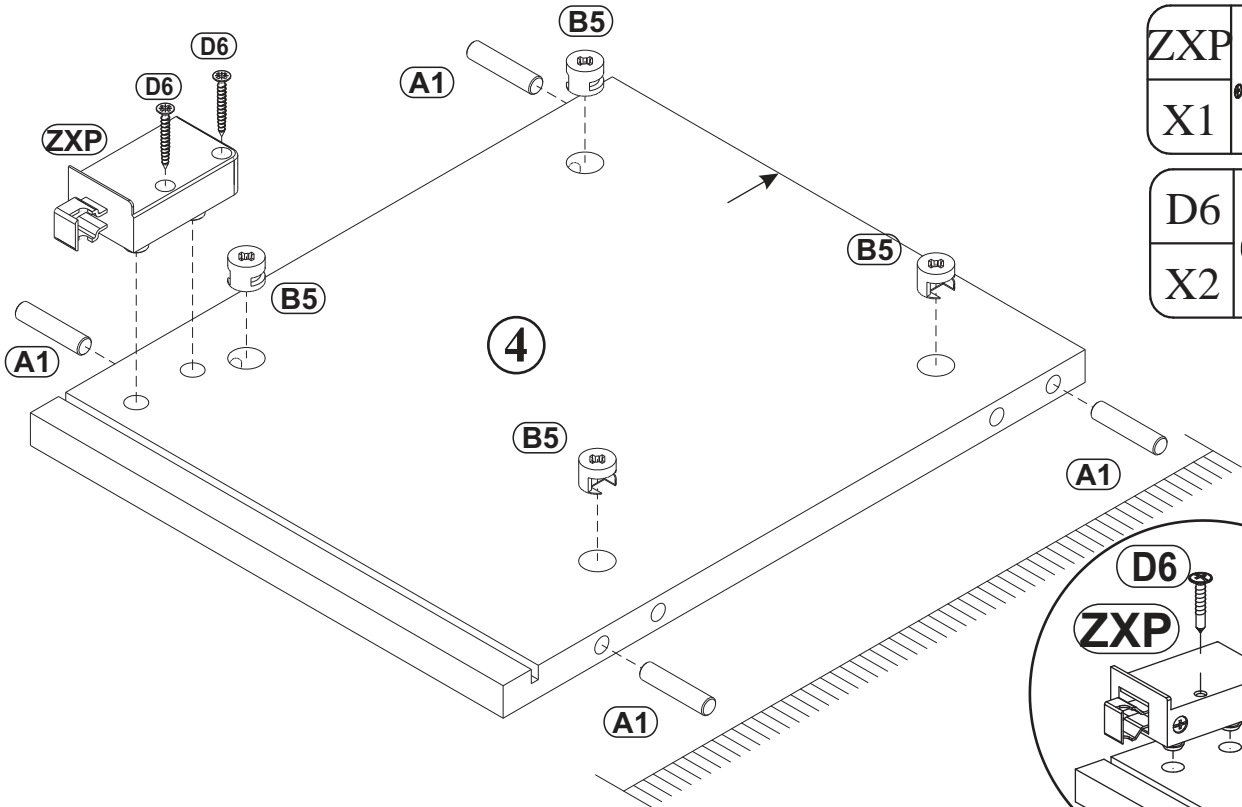


A1	
X4	Ø8x36


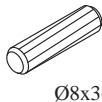

B5	
X4	Ø15x12

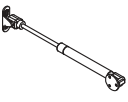
ZXP	
X1	

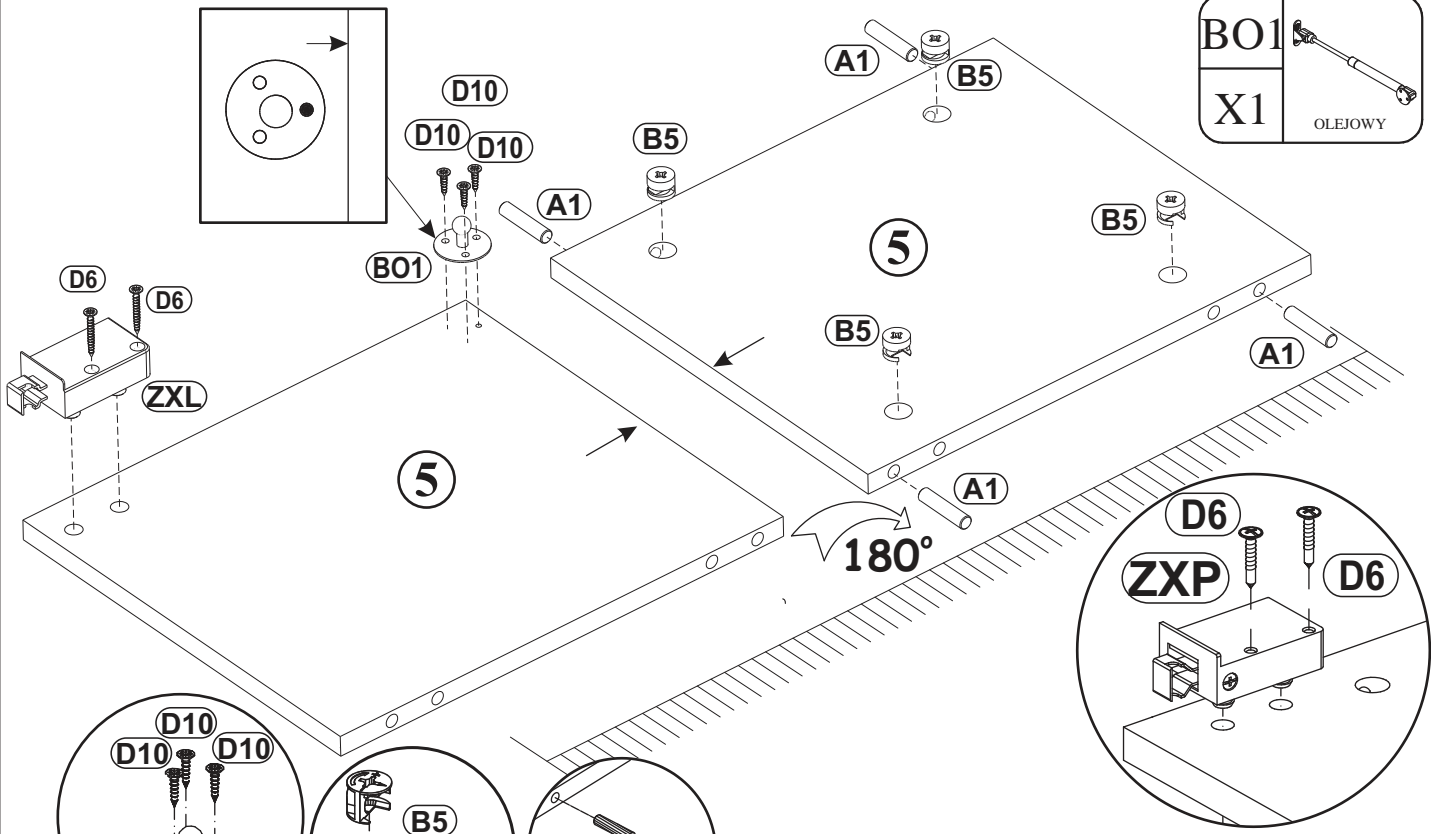
D6	
X2	USØ3,5x30




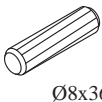

3


D10	 USØ3,5x13	A1	 Ø8x36	B5	 Ø15x12
X3		X4		X4	

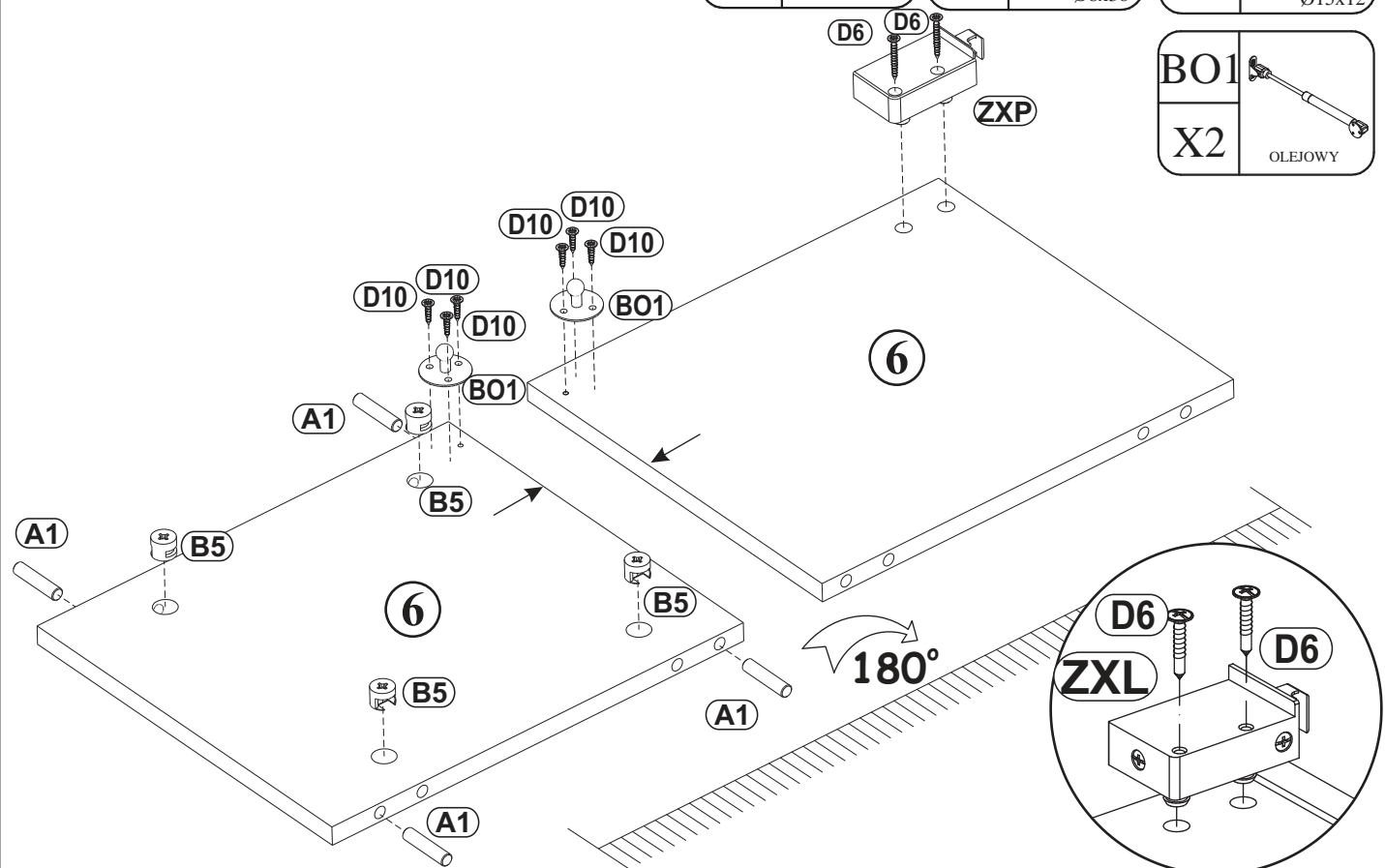
BO1	 OLEJOWY
X1	

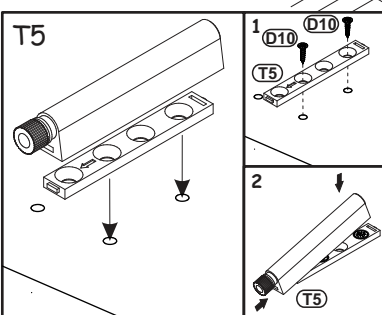
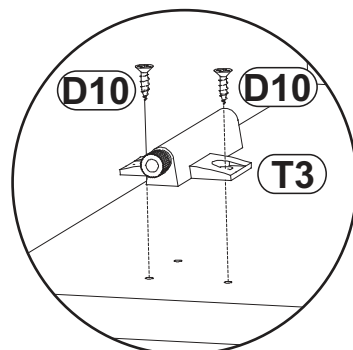
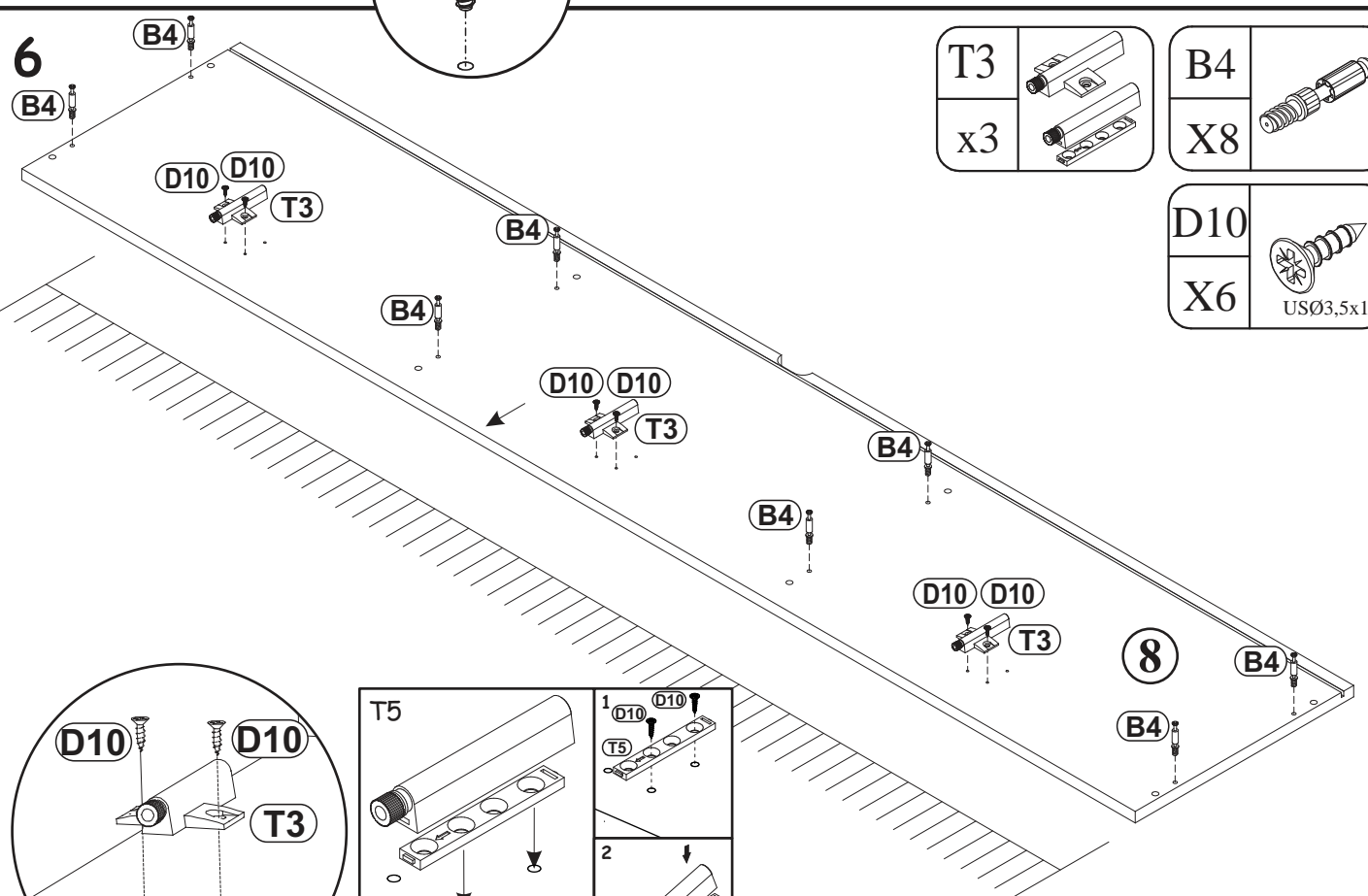
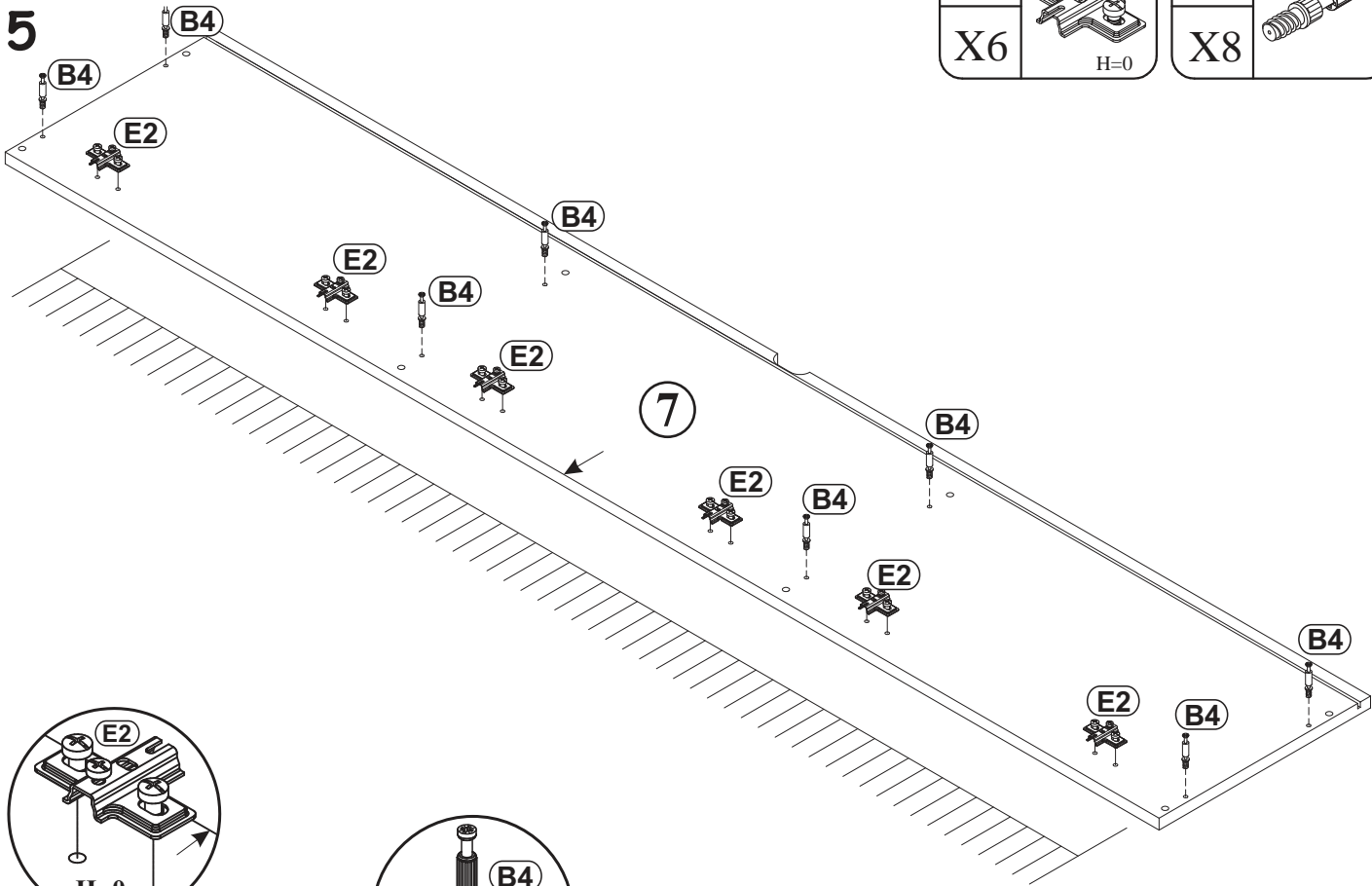



4


D10	 USØ3,5x13	A1	 Ø8x36	B5	 Ø15x12
X6		X4		X4	

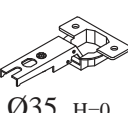
BO1	 OLEJOWY
X2	



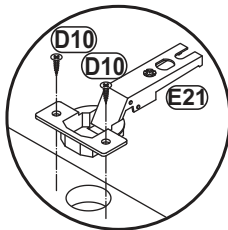
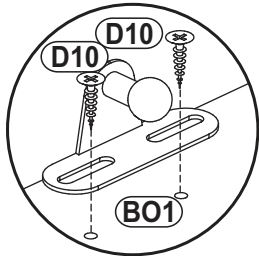
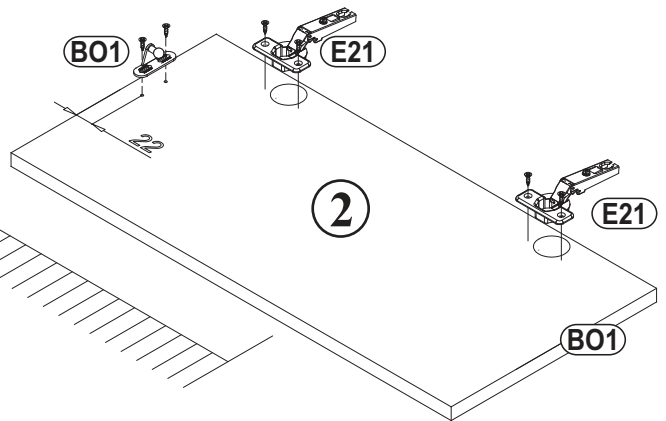
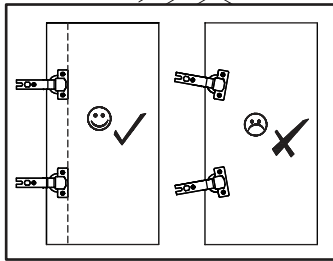
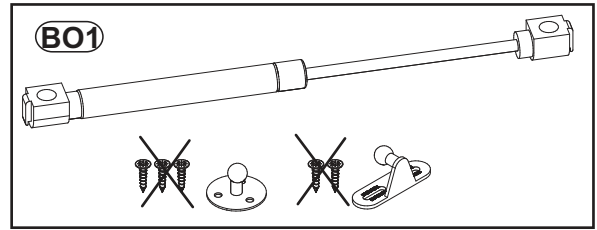
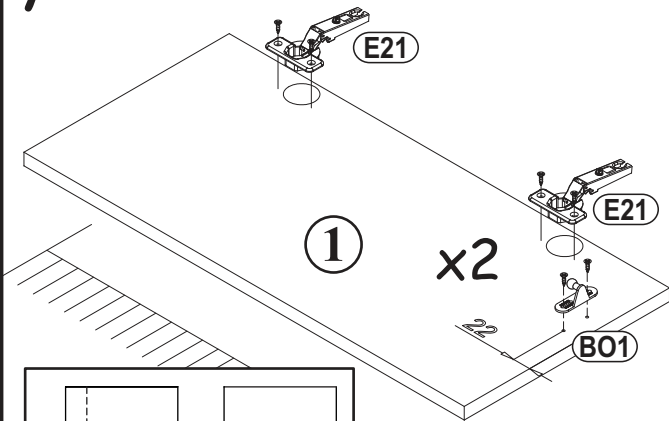


BO1	
X3	OLEJOWY


D10	
X18	USØ3,5x13

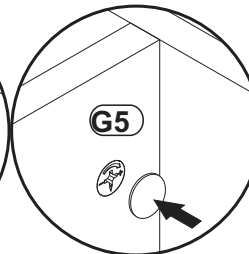
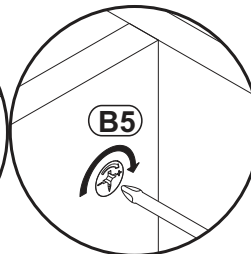
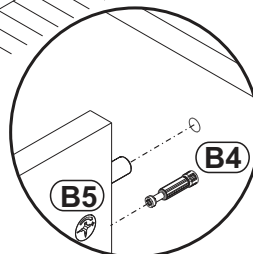
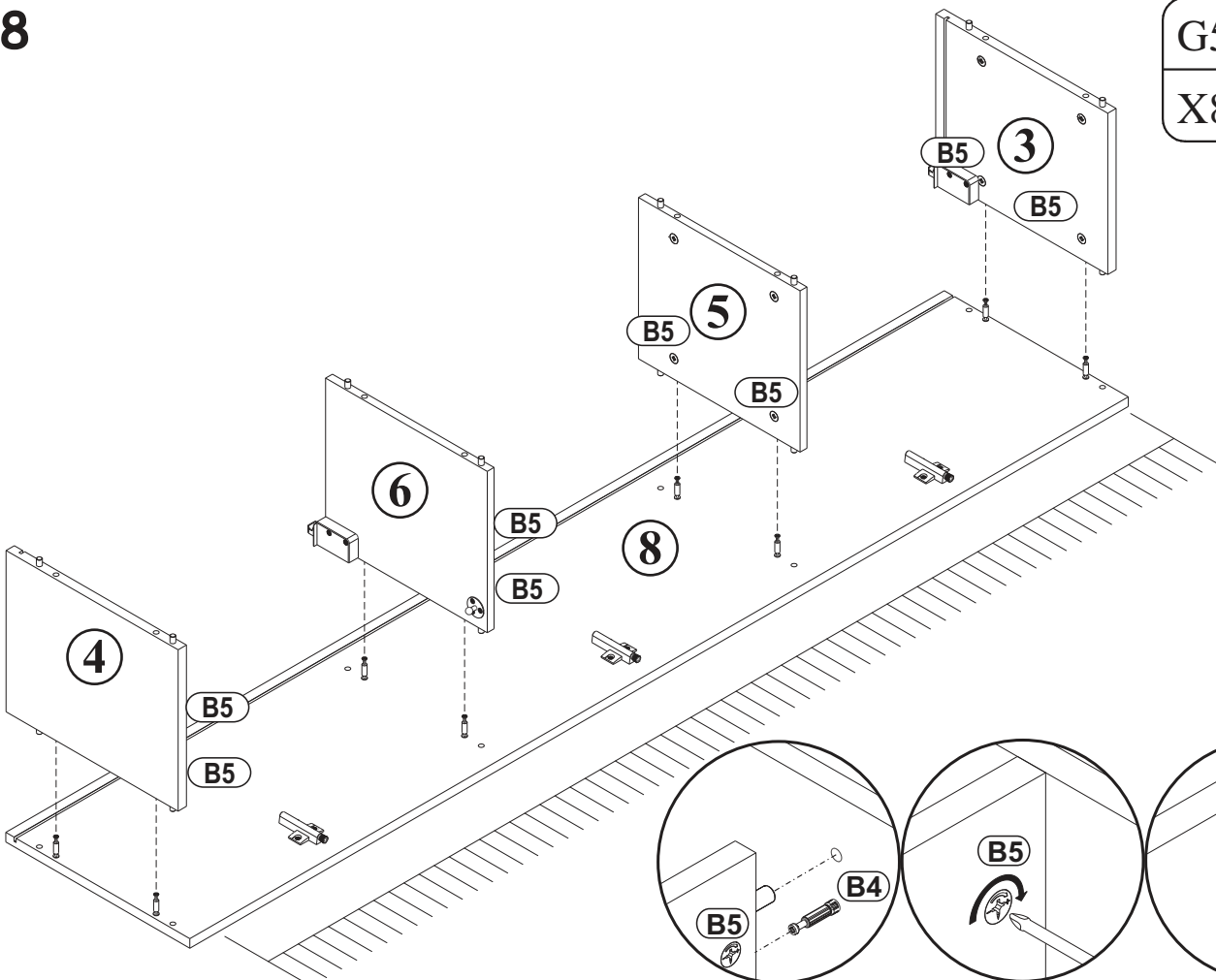
E21	
X6	Ø35 H=0

7

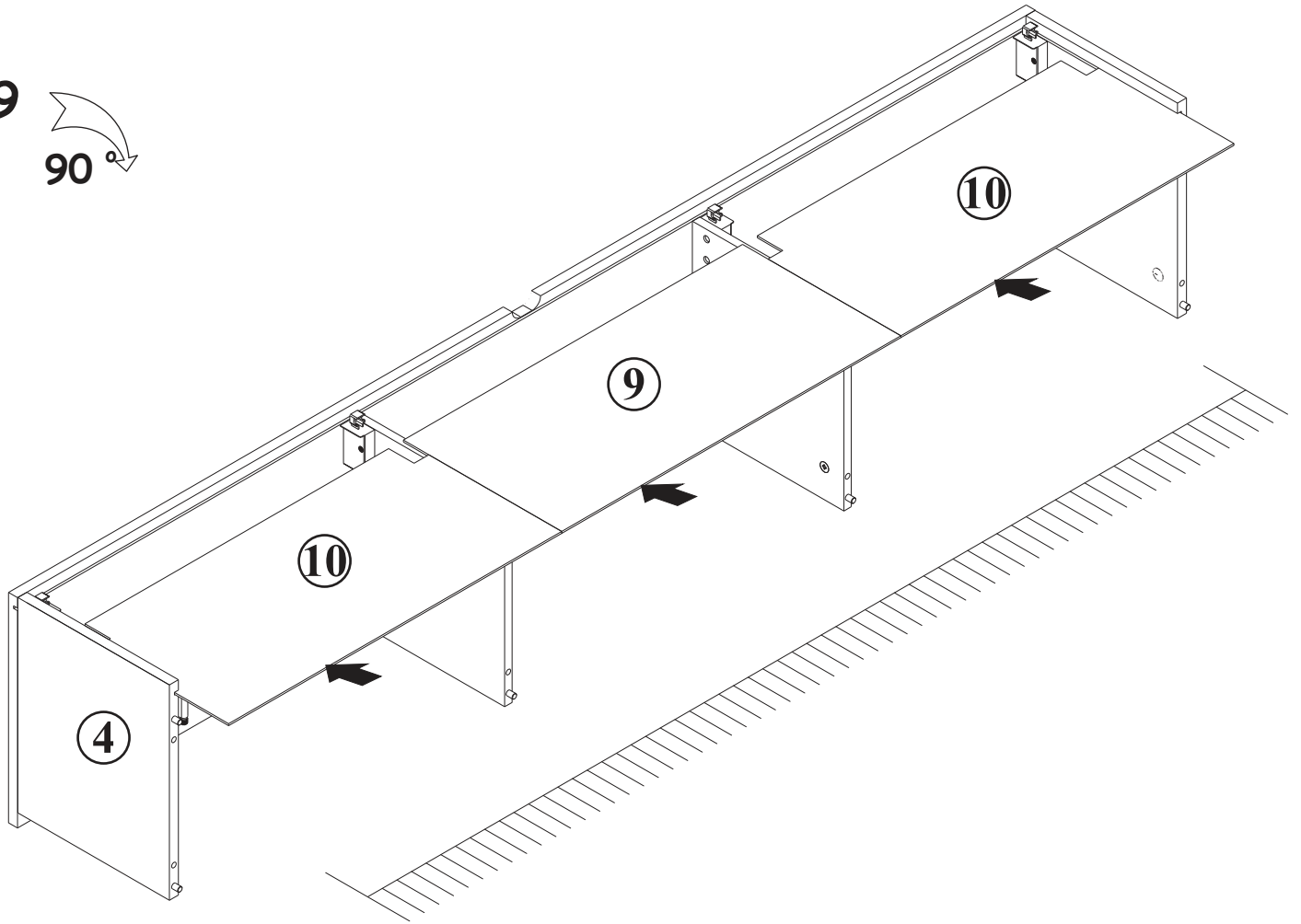


8

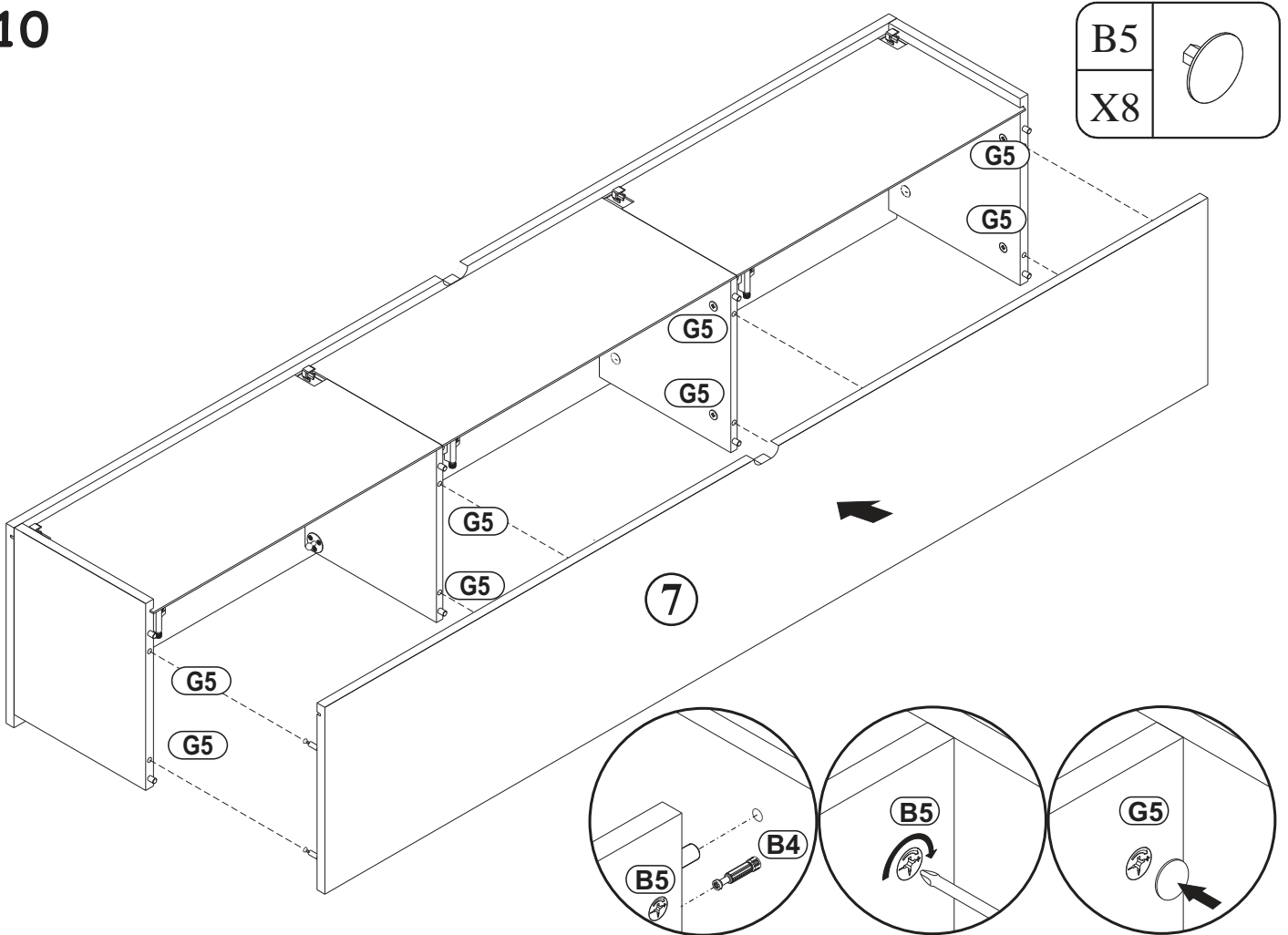
G5	
X8	



9
90°



10

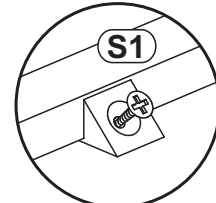
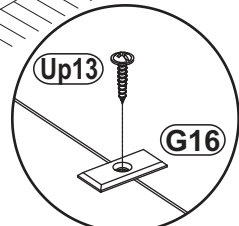
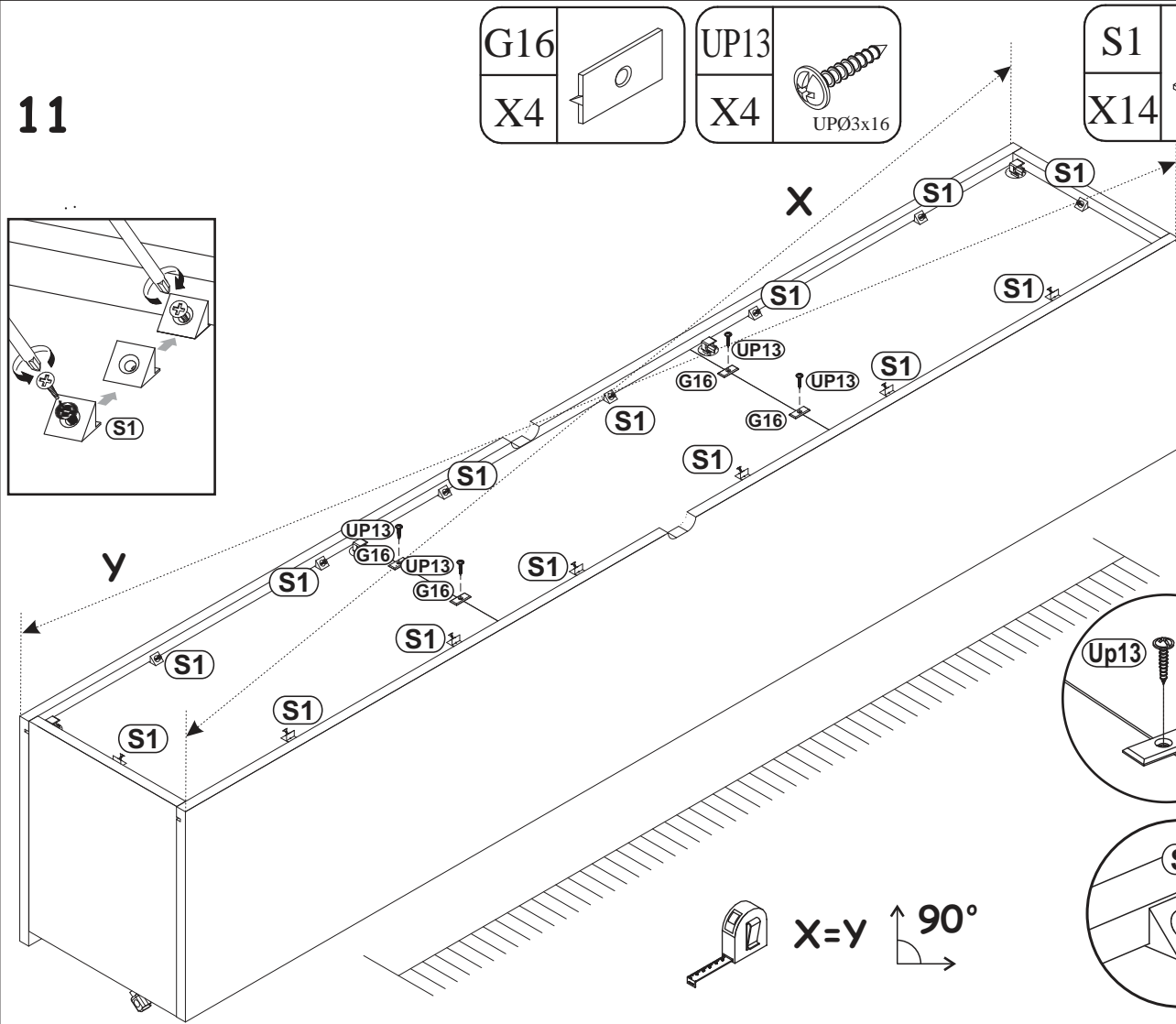
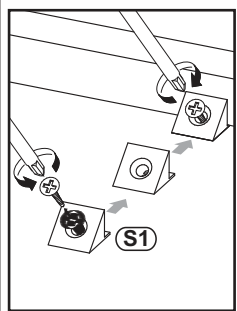


11

G16	
X4	

UP13	
X4	UPØ3x16

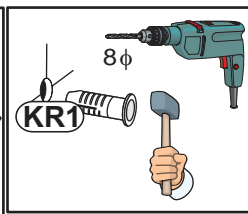
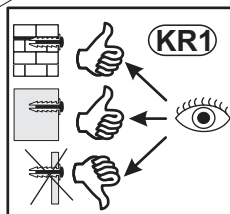
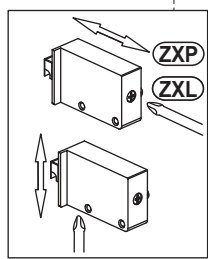
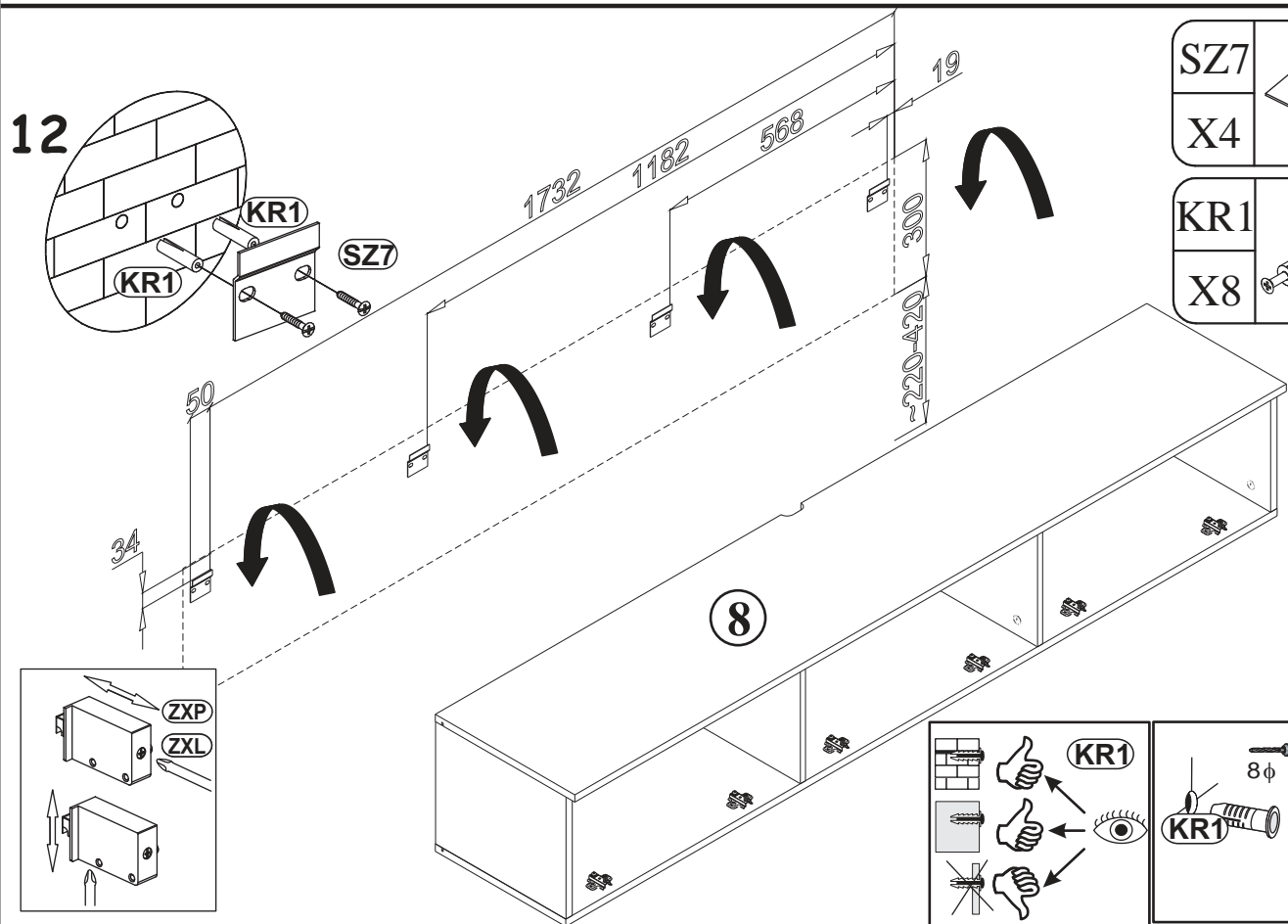
S1	
X14	



12

SZ7	
X4	

KR1	
X8	Ø8



13

