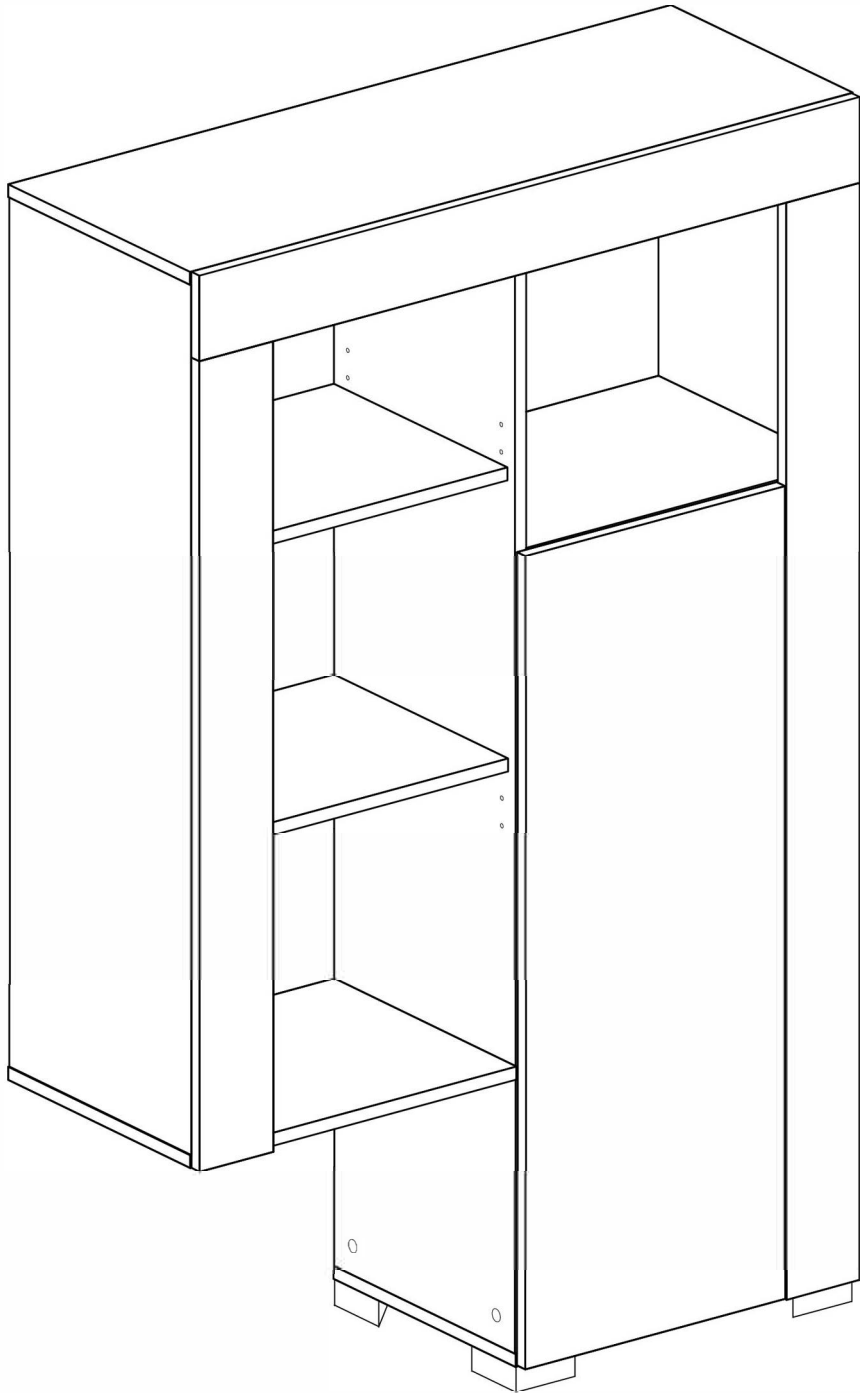
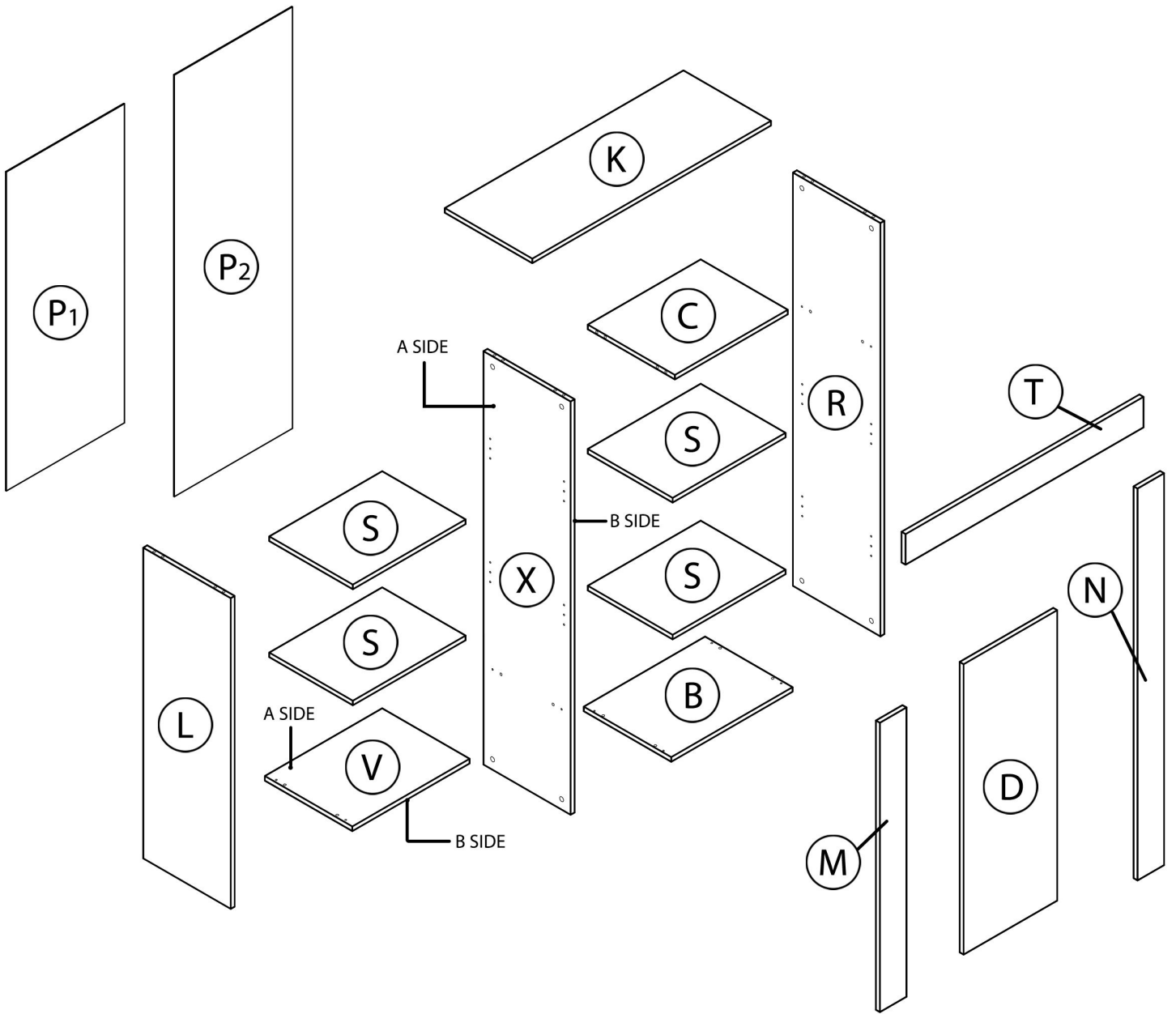
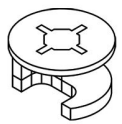
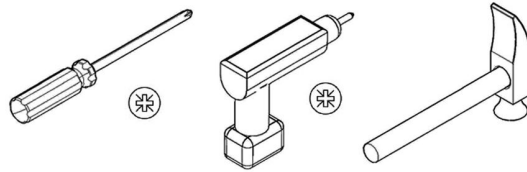


# VID 006.B

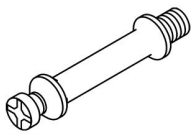




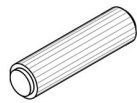
### USING TOOLS



**Fx18**



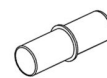
**Px18**



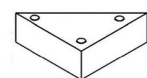
**Kx18**



**B1x54**



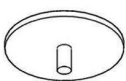
**Tx16**



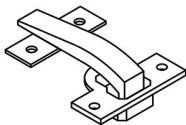
**Lx4**



**B2x12**



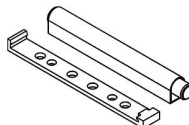
**TPx14**



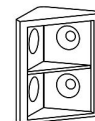
**Mx2**



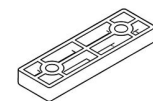
**KAx50**



**PSx1**

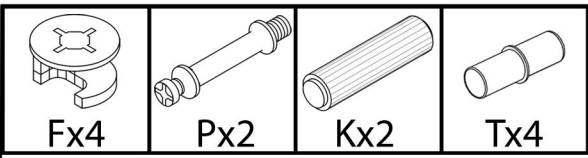


**Gx10**

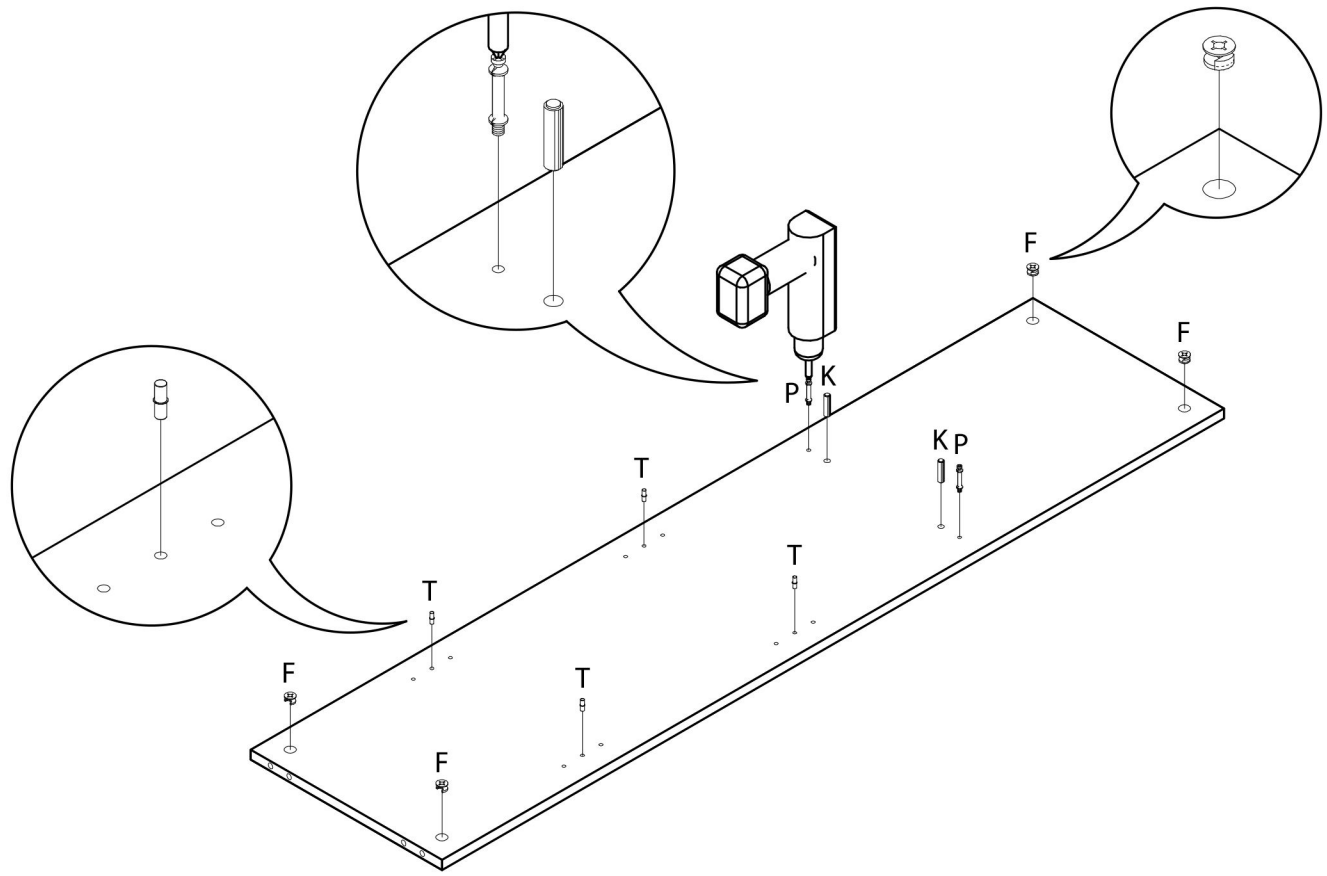


**BAPx2**

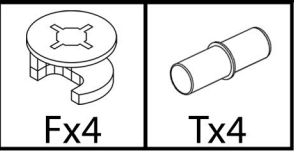
# 1



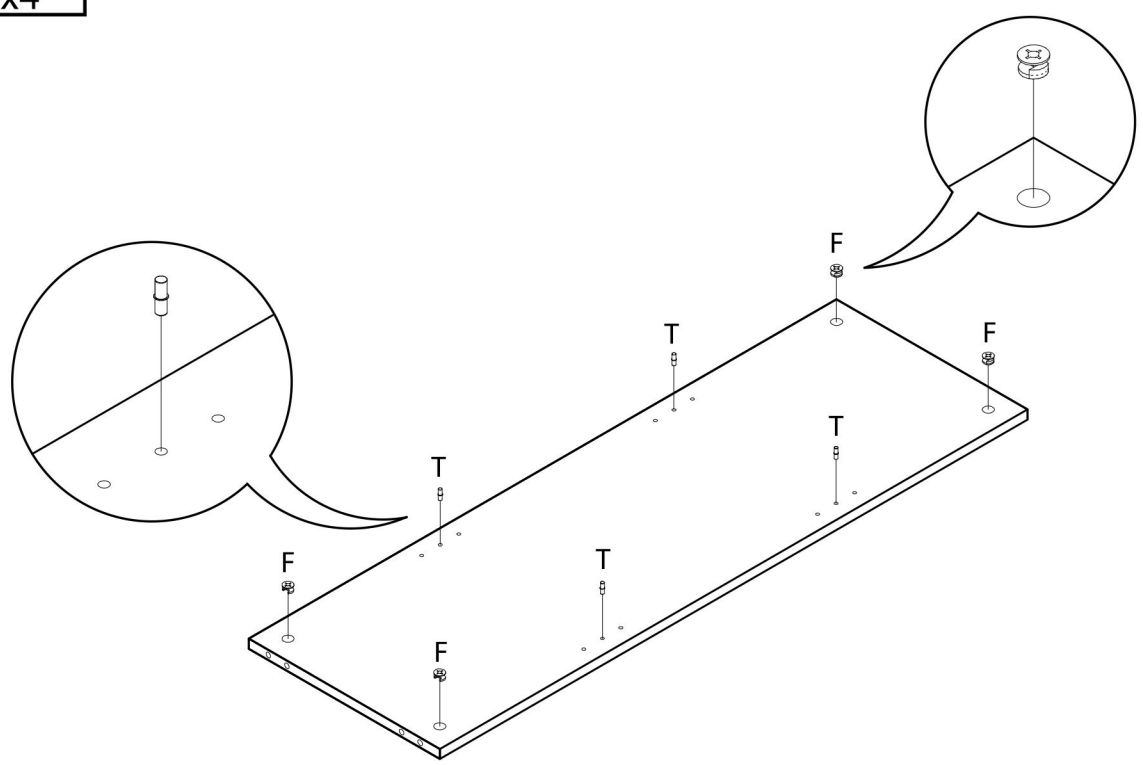
(R)



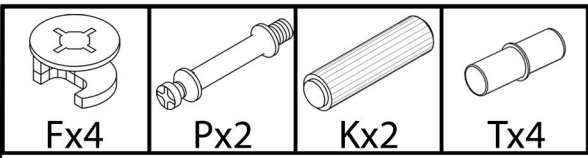
# 2



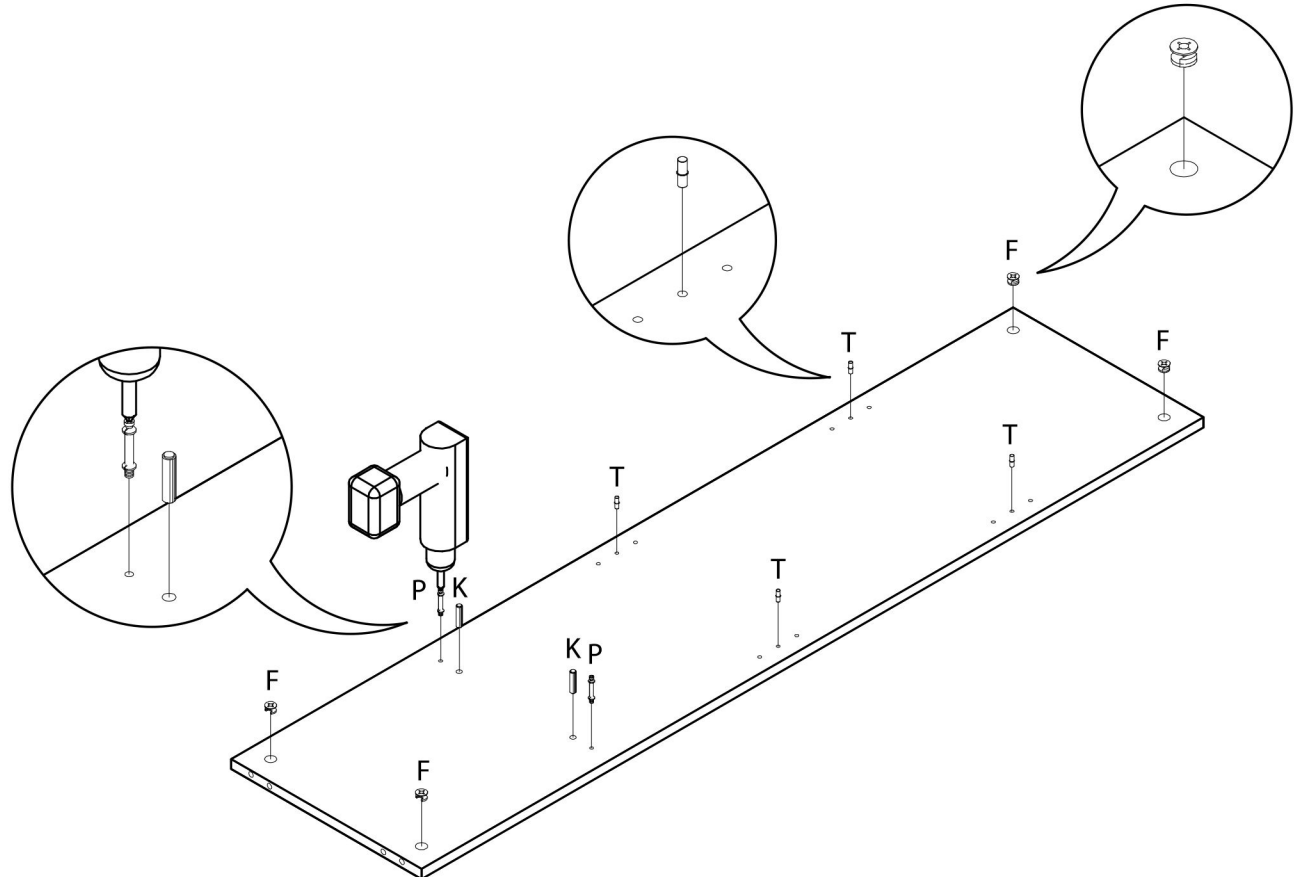
(L)



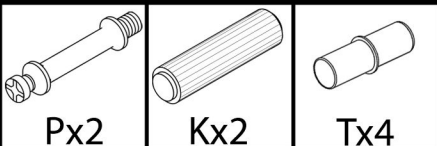
# 3



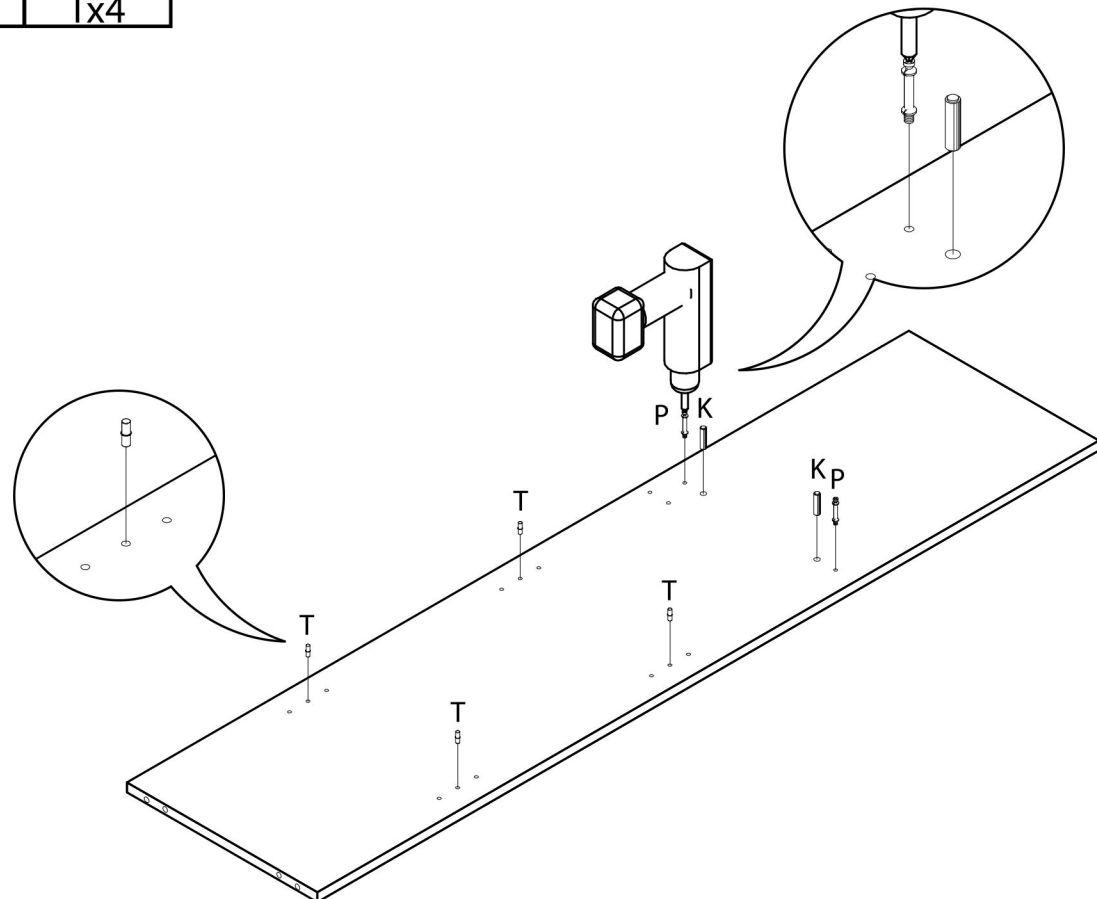
(X) A SIDE



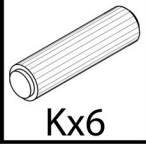
# 4



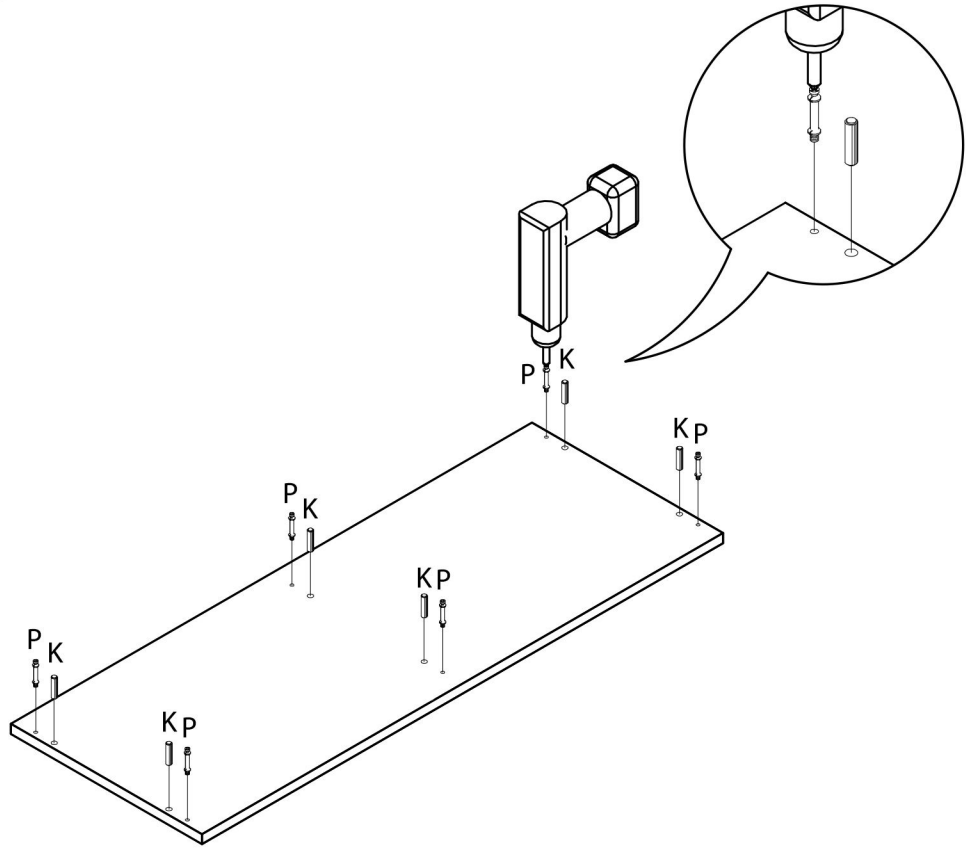
(X) B SIDE



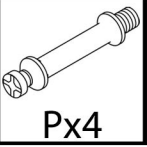
# 5



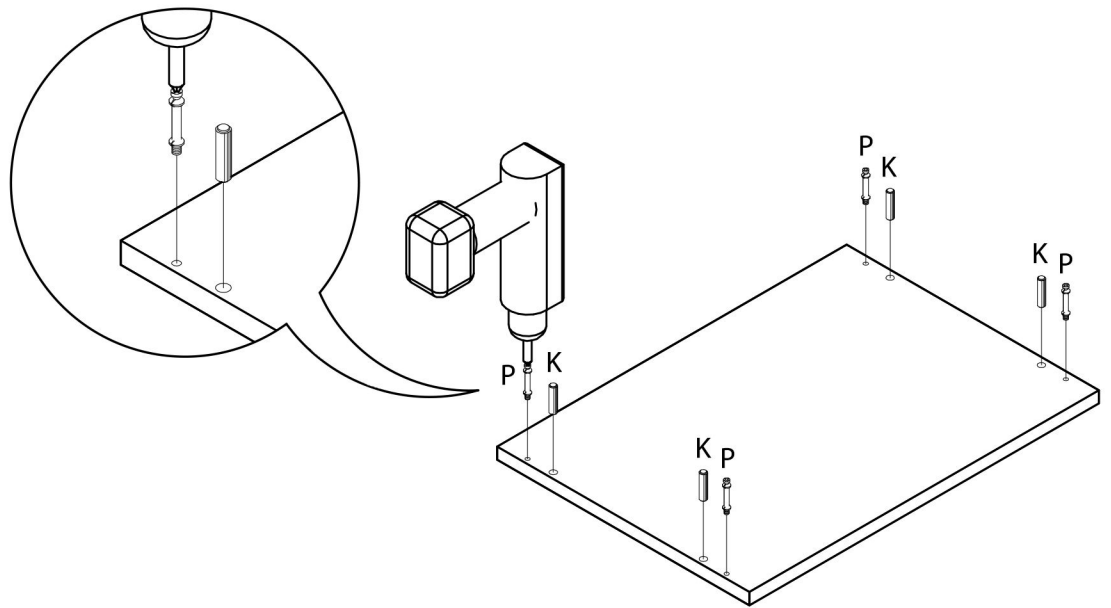
(K)



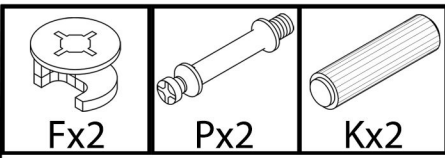
# 6



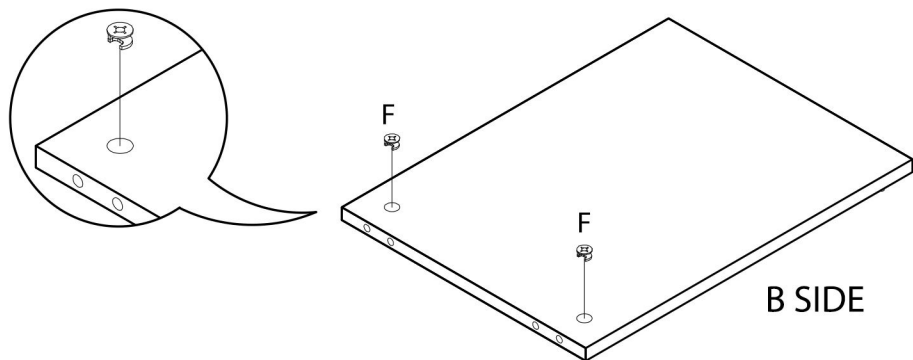
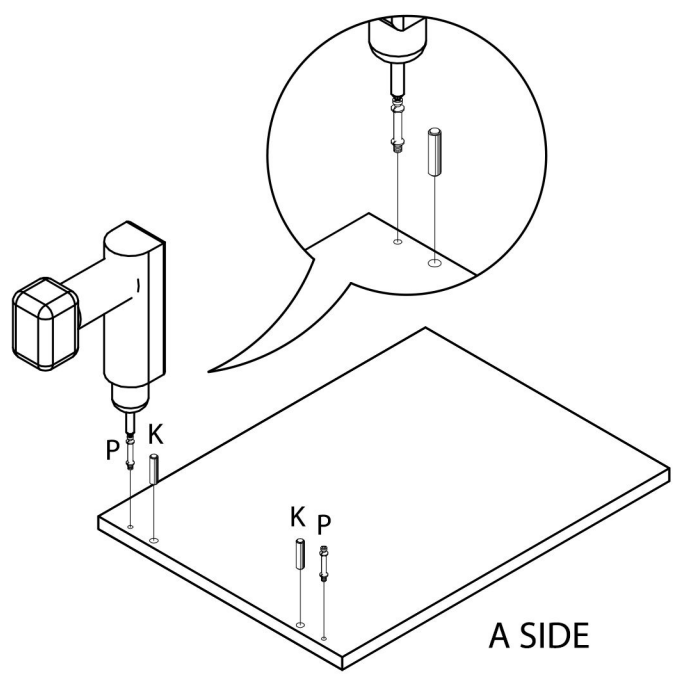
(B)



# 7



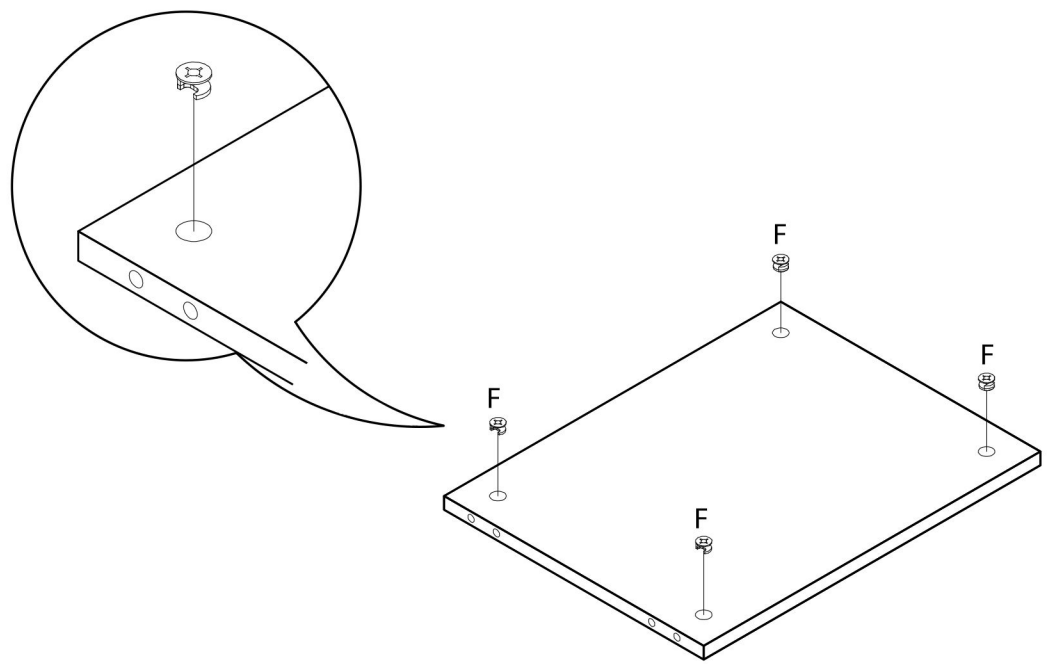
(V)



# 8



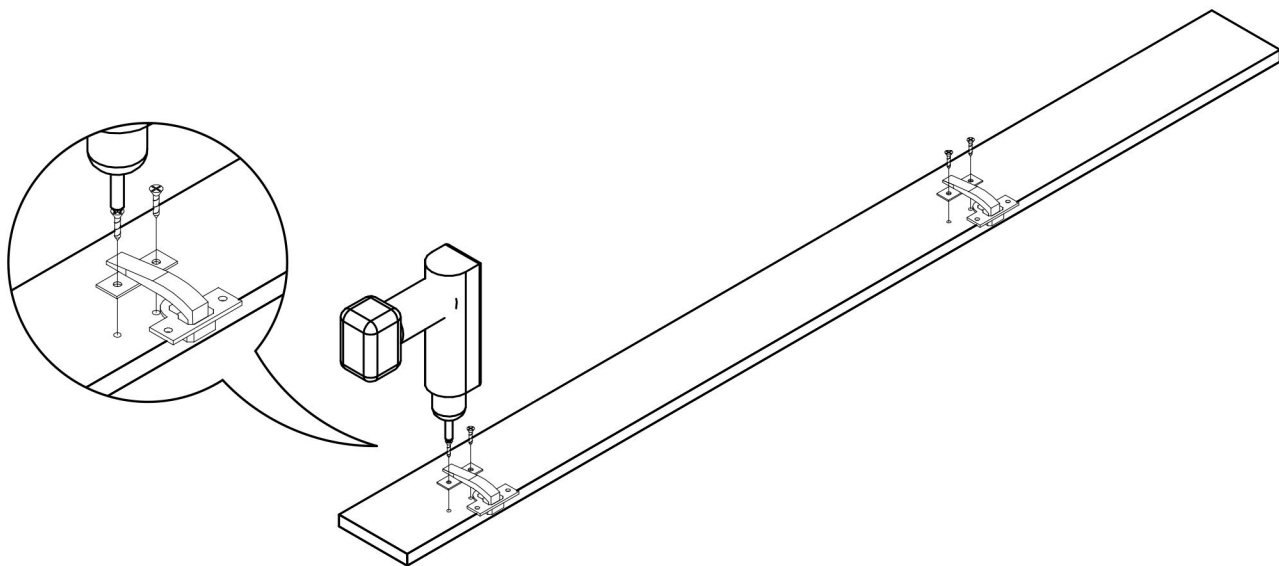
(C)



# 9



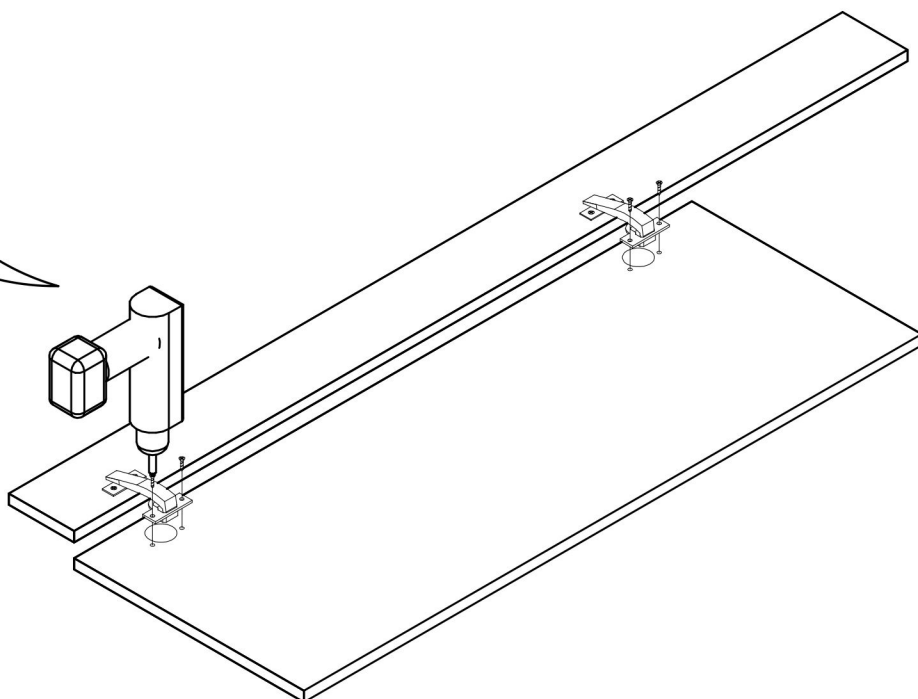
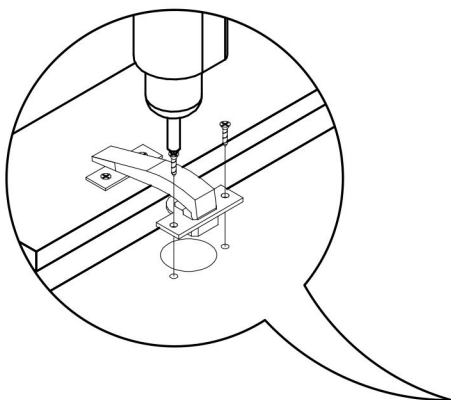
(N)

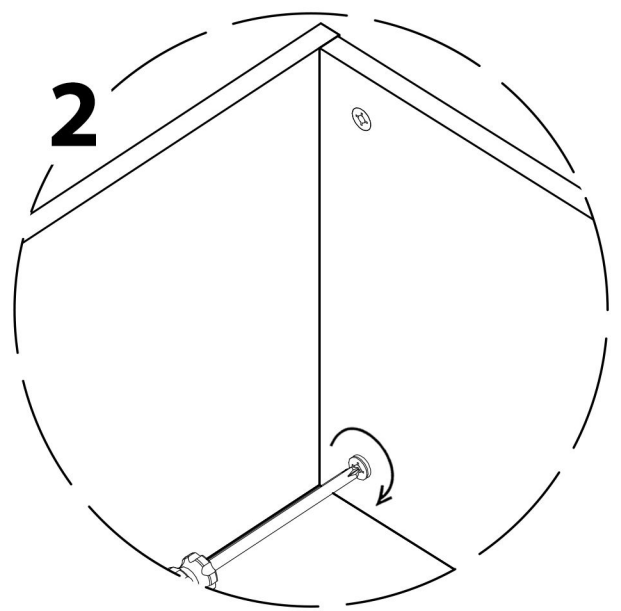
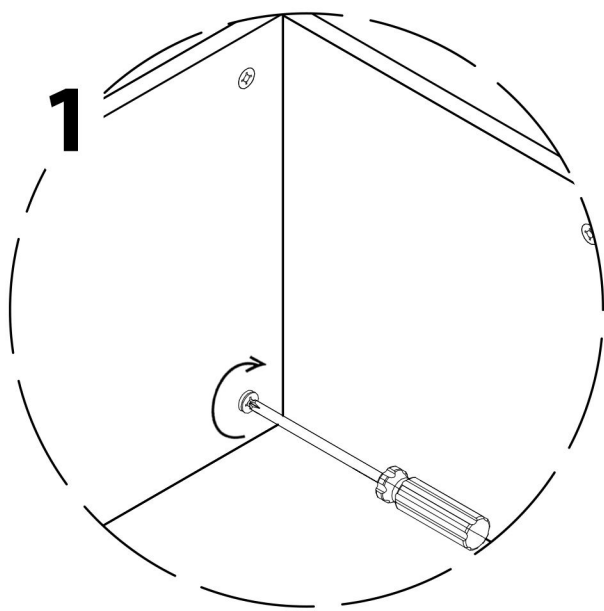
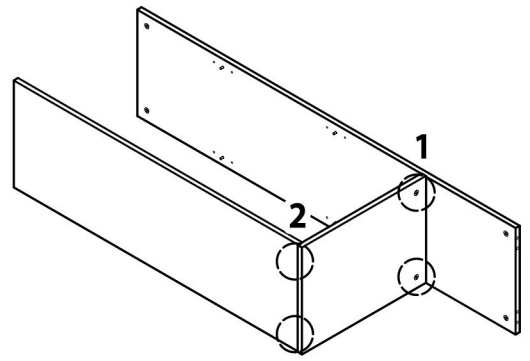
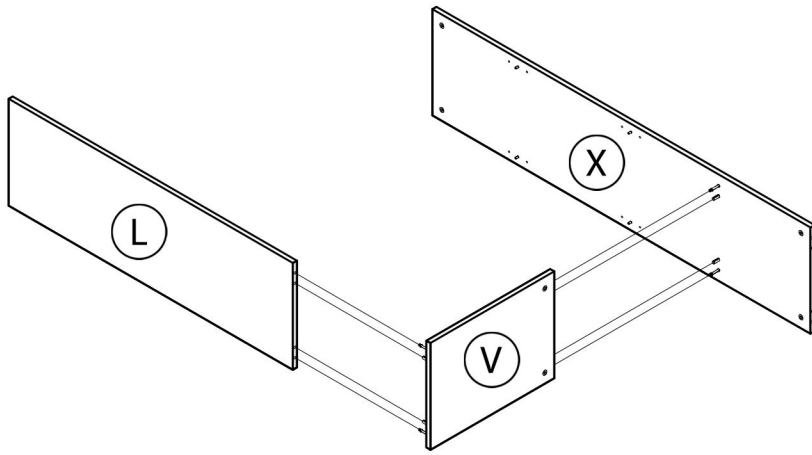


# 10



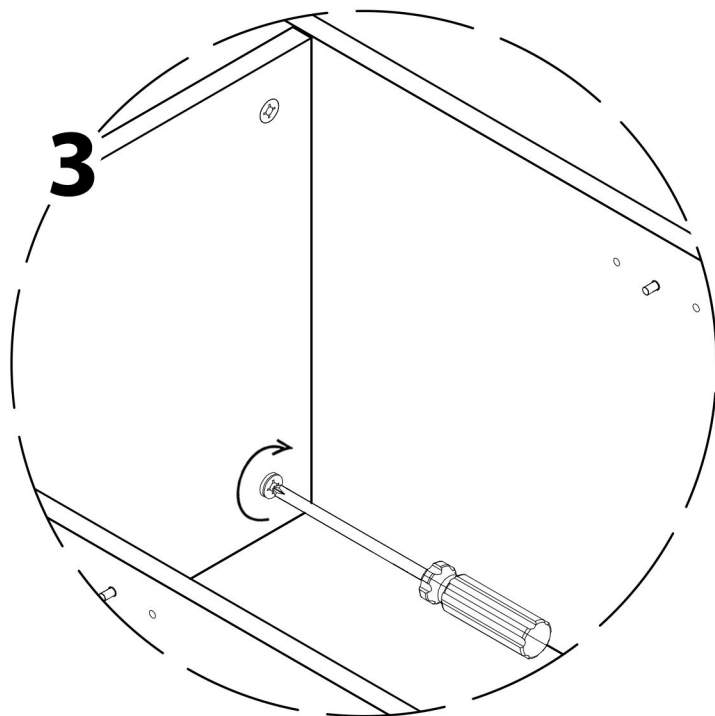
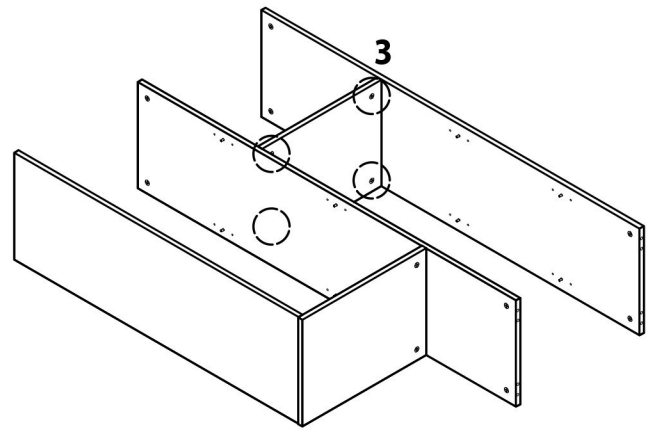
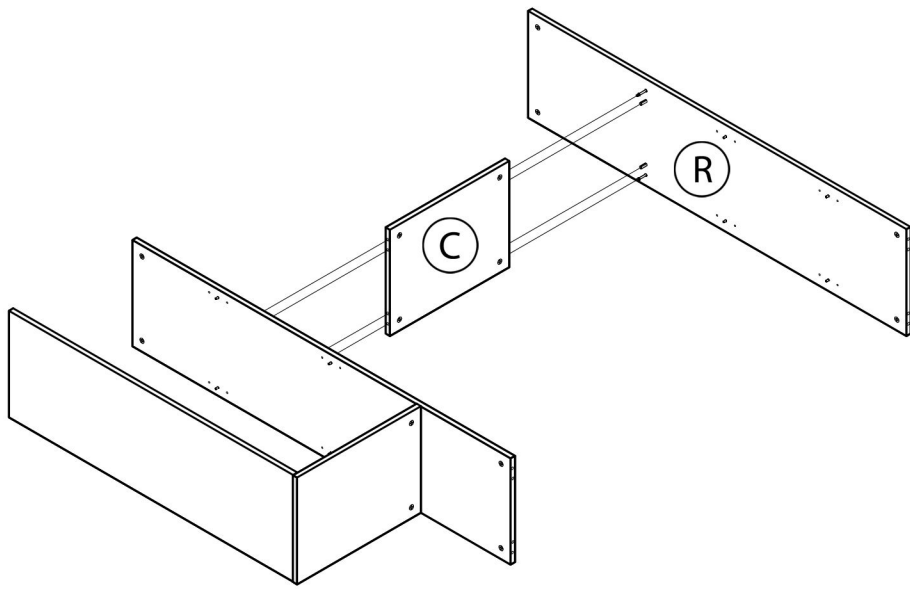
(N) + (D)



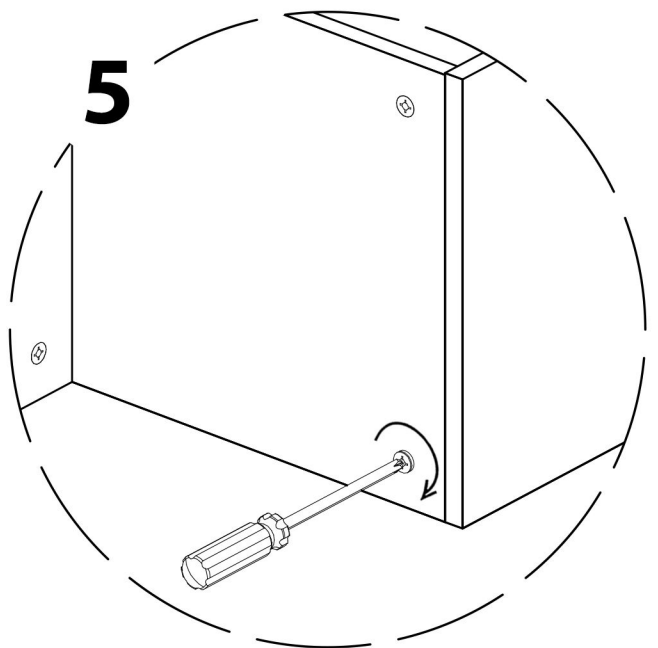
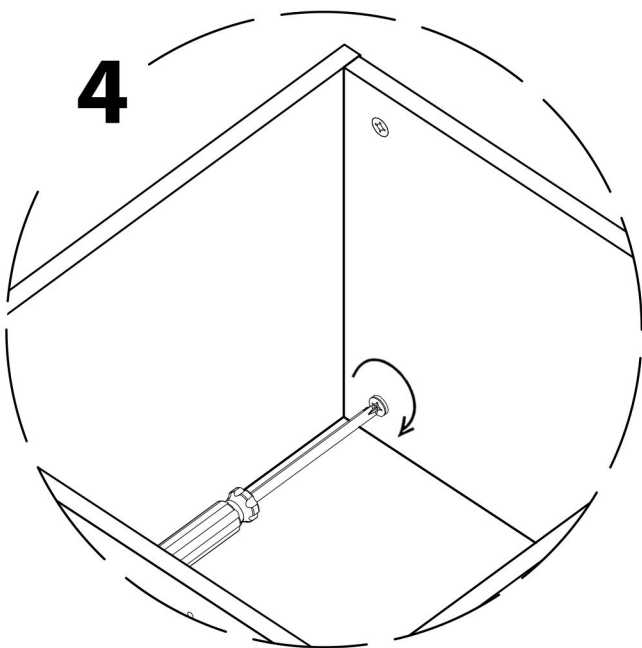
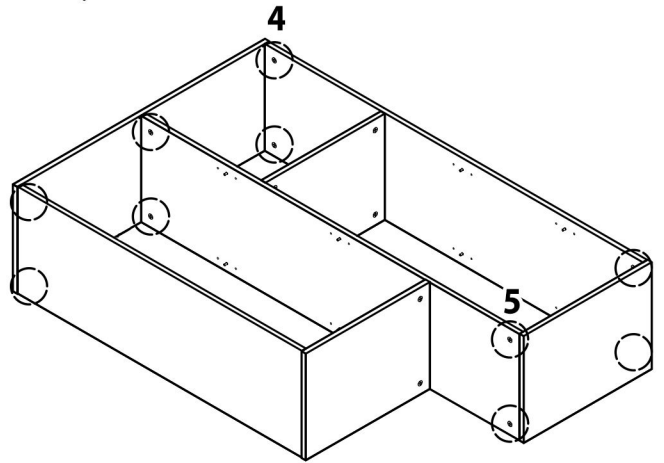
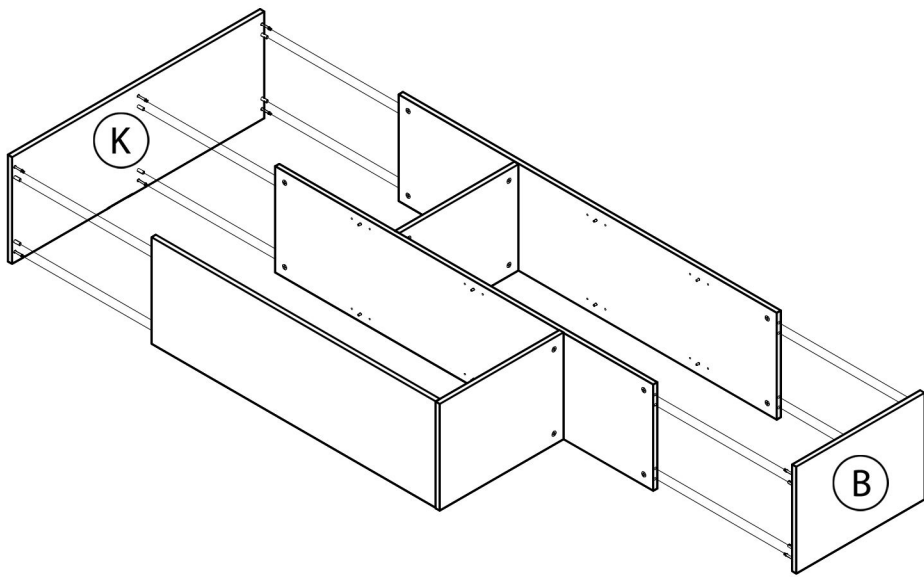




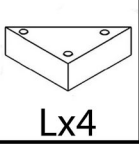
# 12



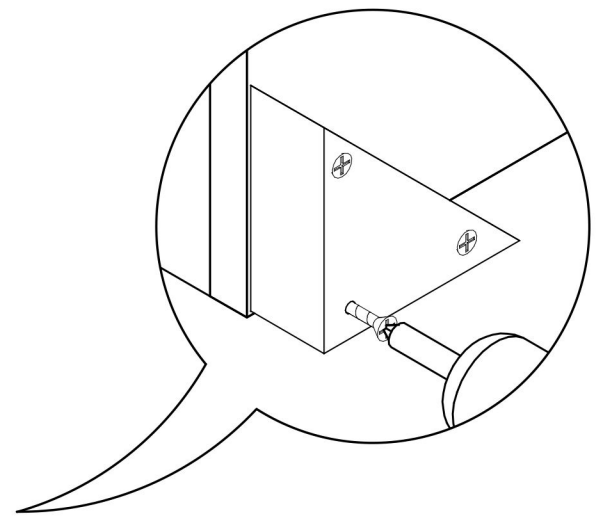
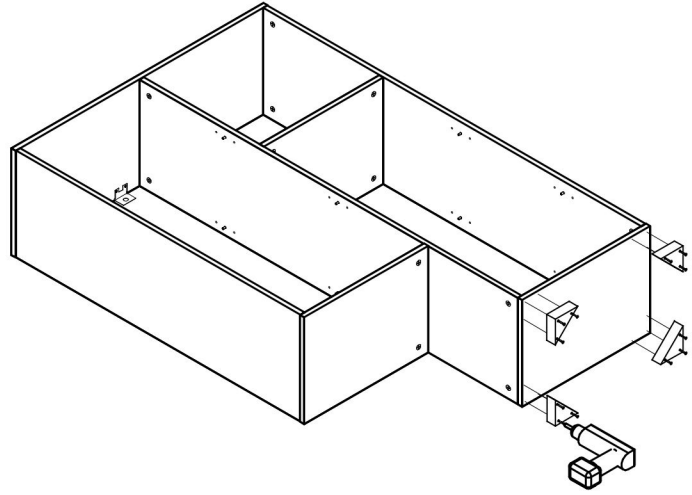
# 13



# 14

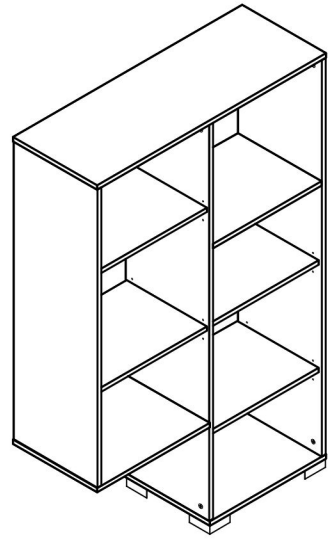
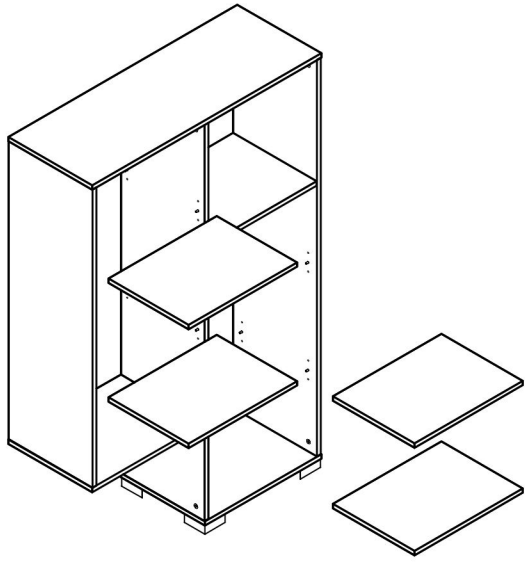


(B)

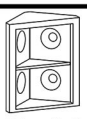


# 15

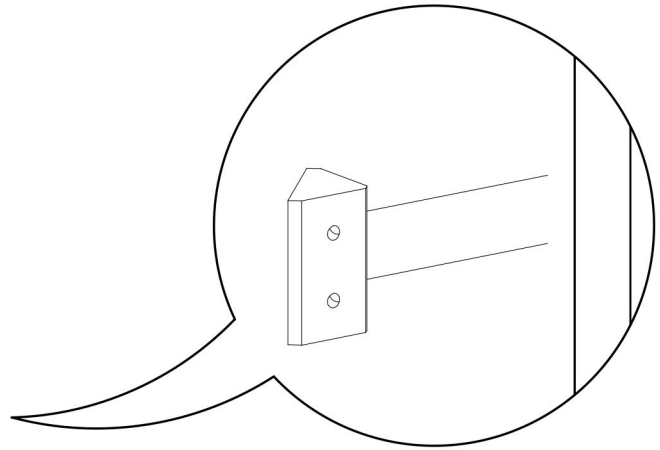
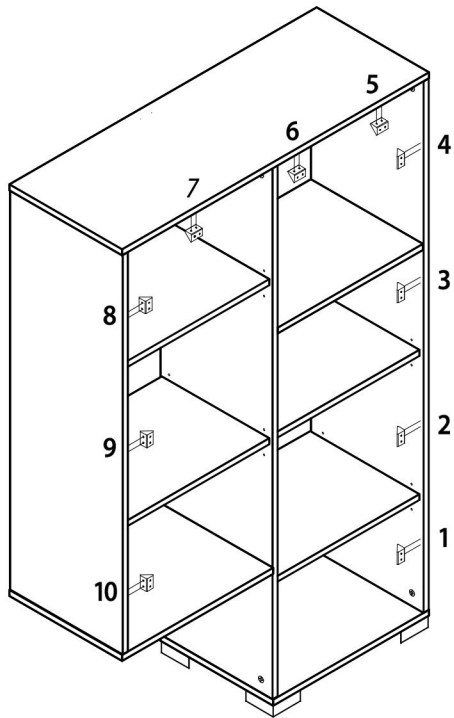
(S) x4



# 16



Gx10

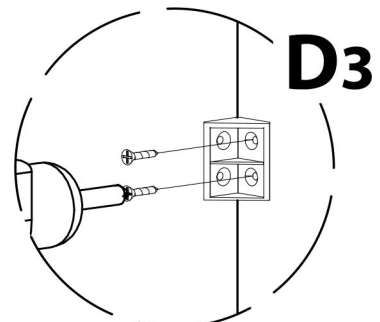
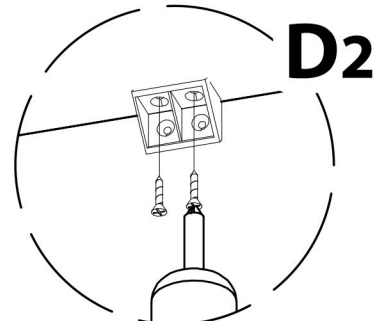
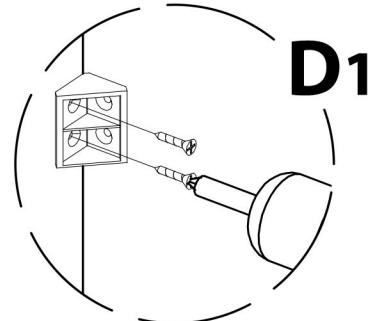
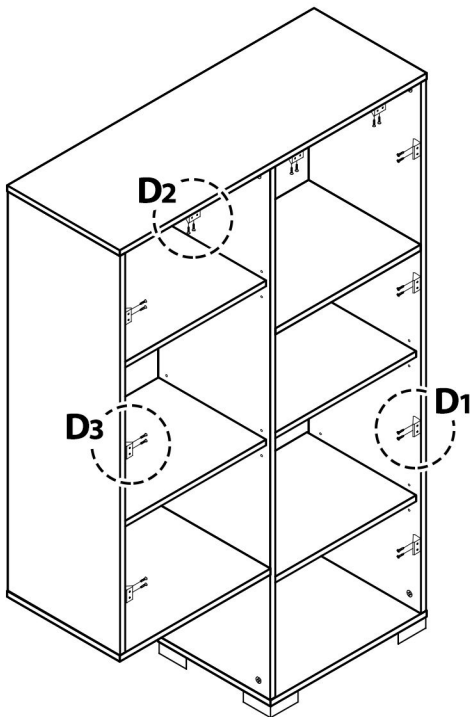


# 17



3,5x16

B1x20

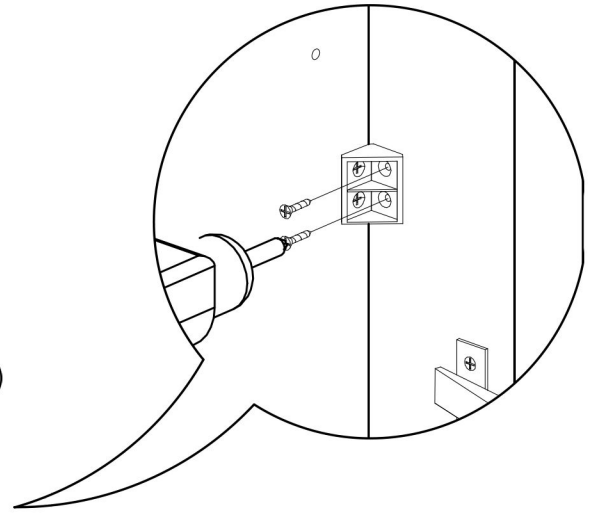
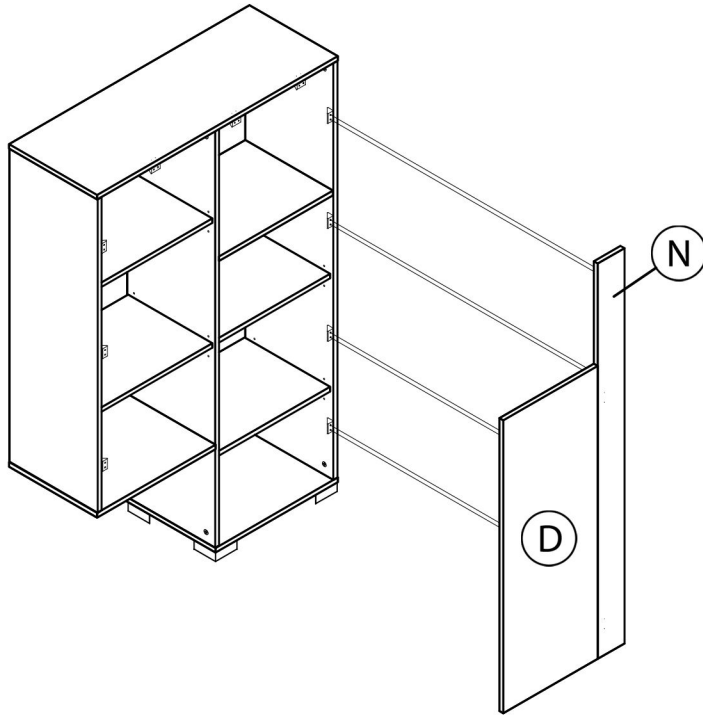


# 18



3.5x16

B1x8

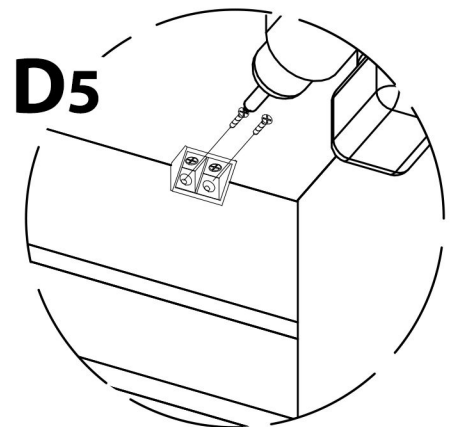
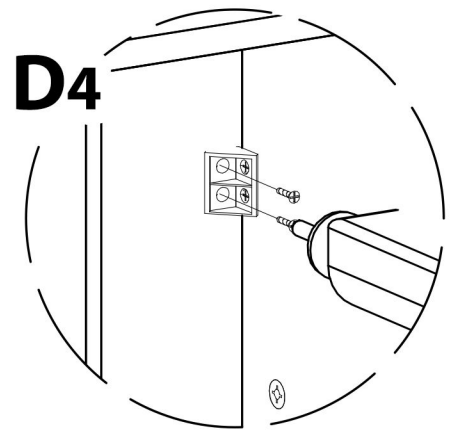
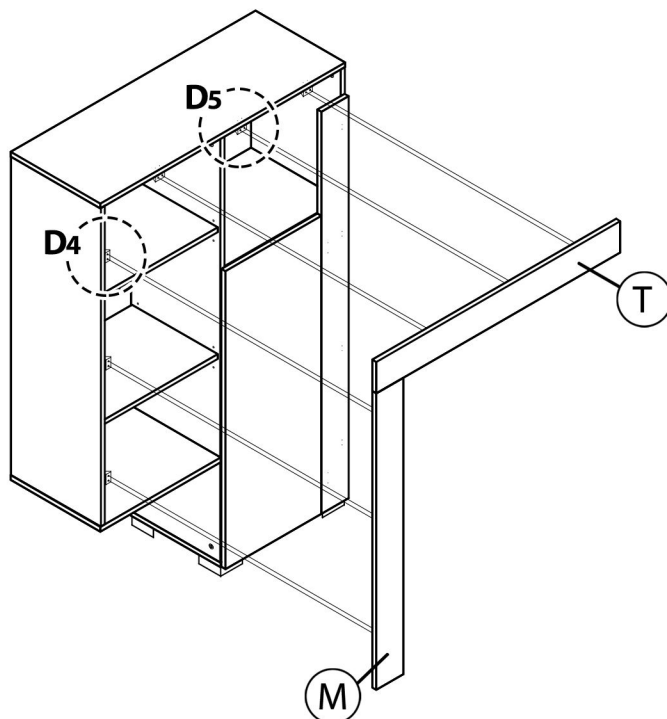


# 19

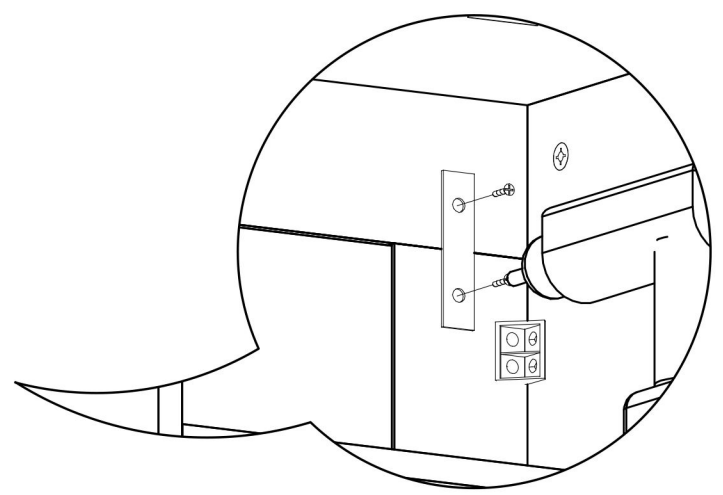
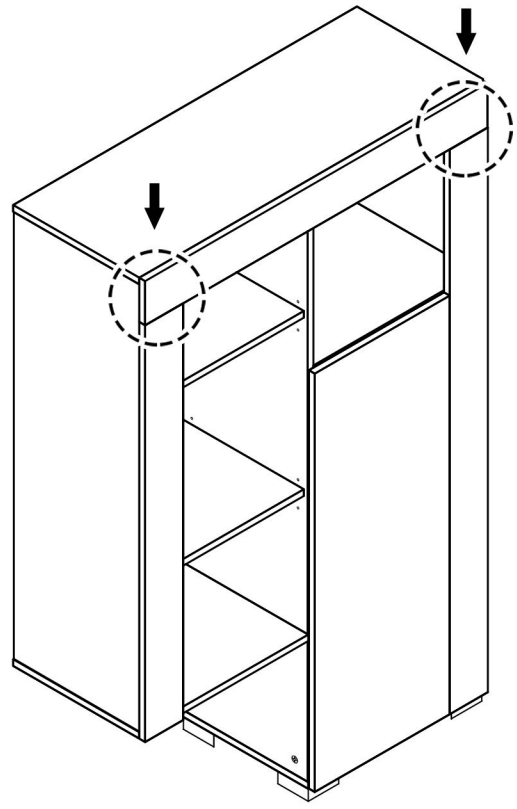
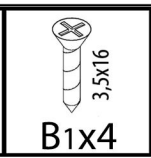


3.5x16

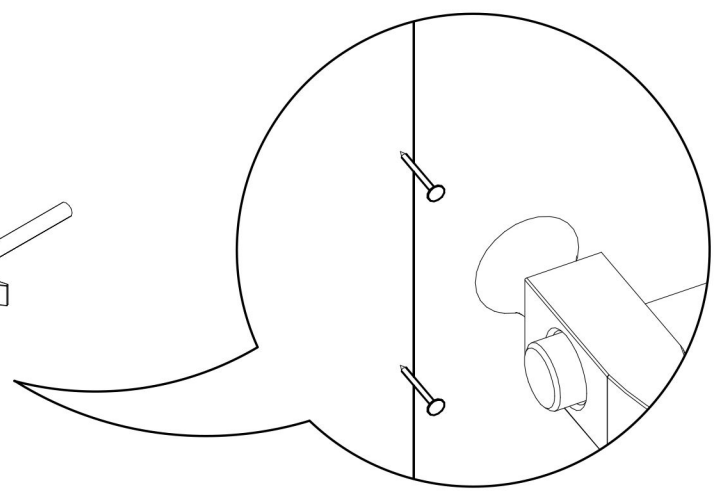
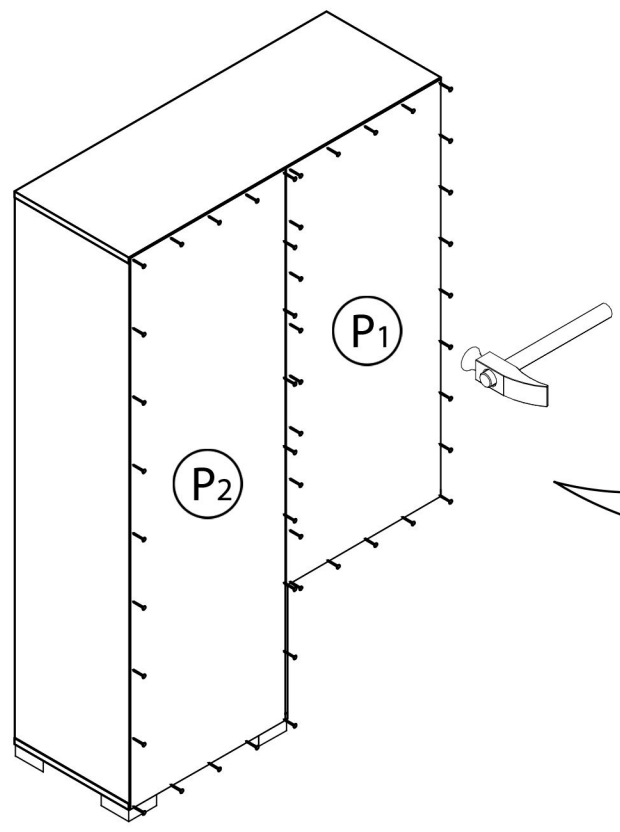
B1x12



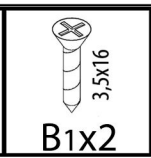
# 20



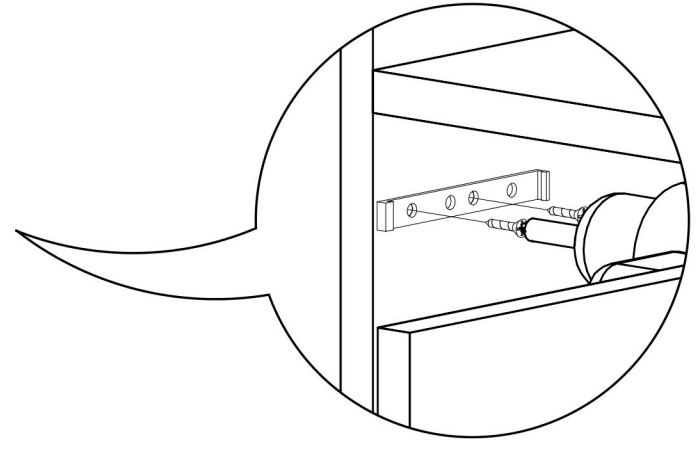
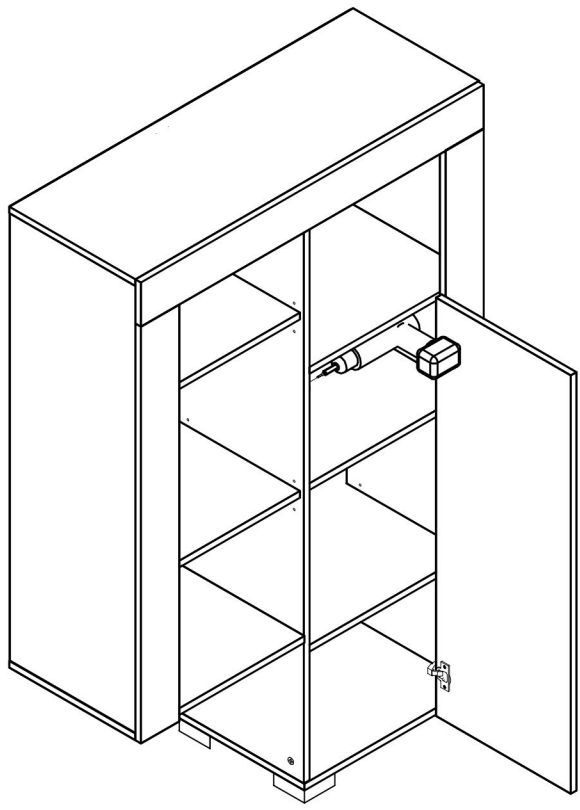
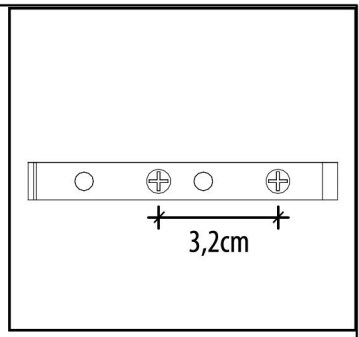
# 21



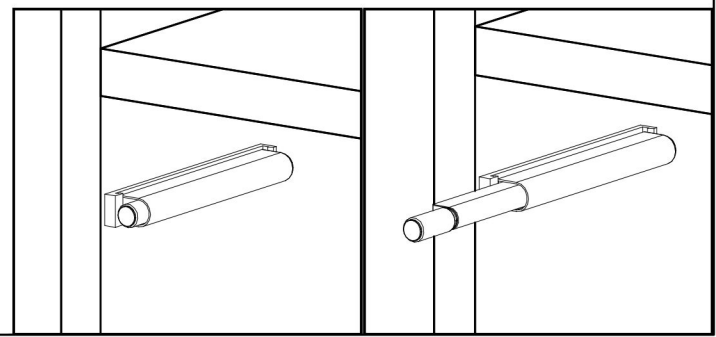
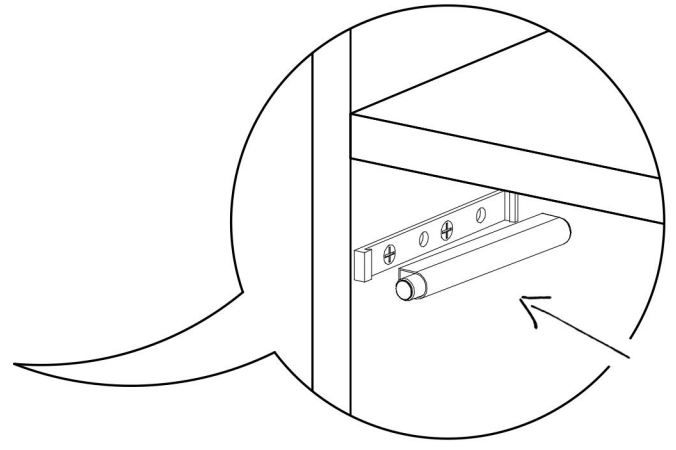
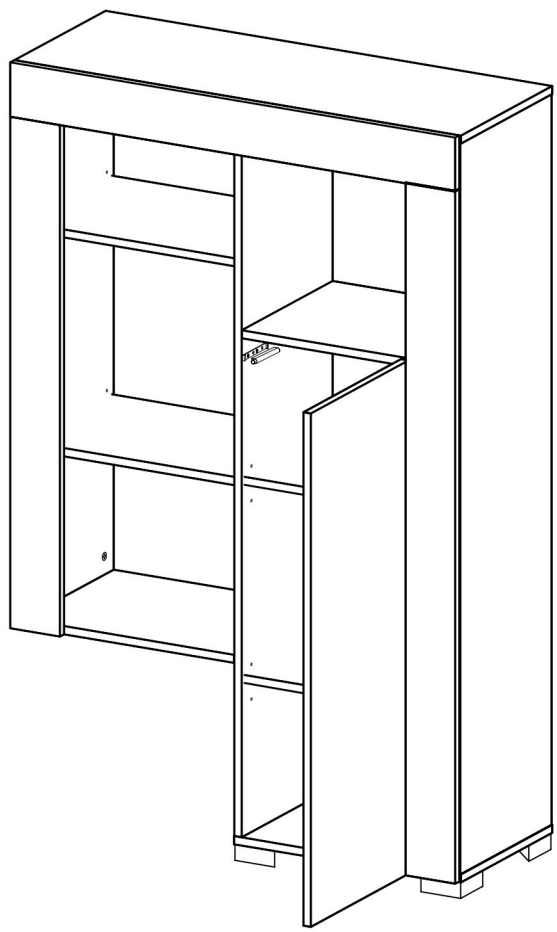
# 22



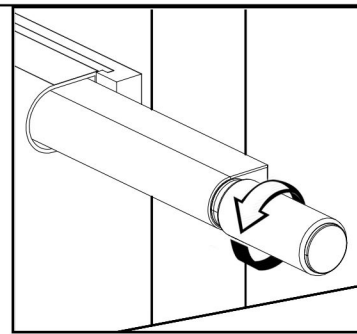
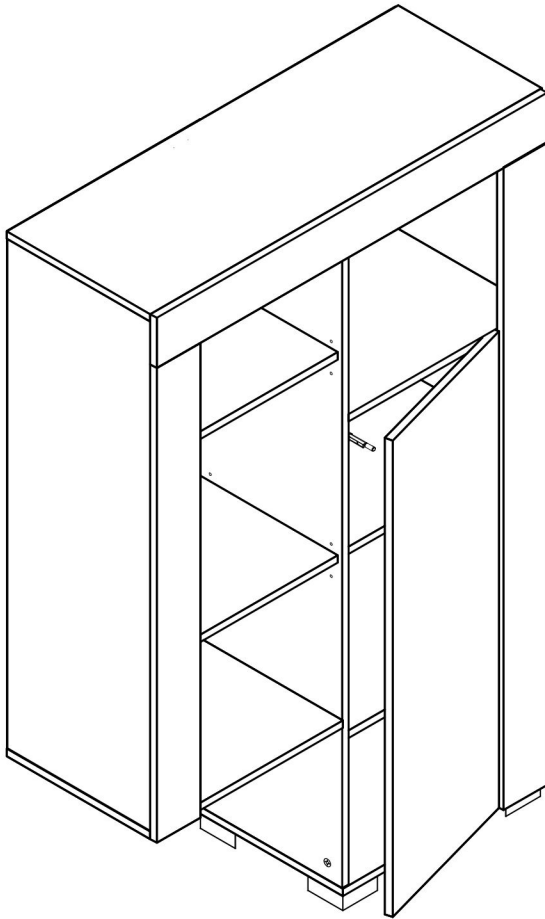
(X) B SIDE



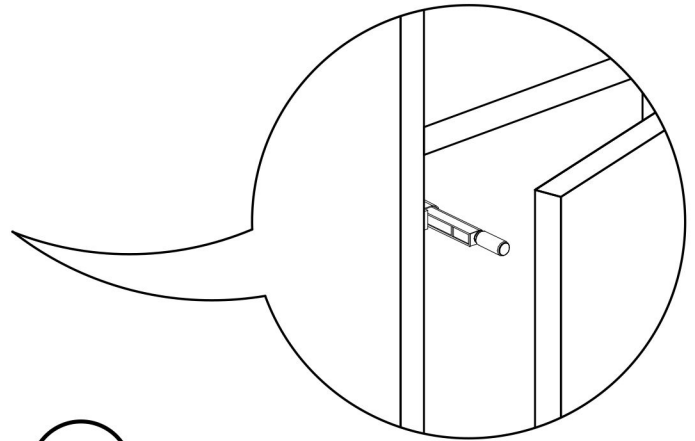
# 23



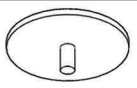
# 24



adjust push button to fit the door



# 25



TPx14

