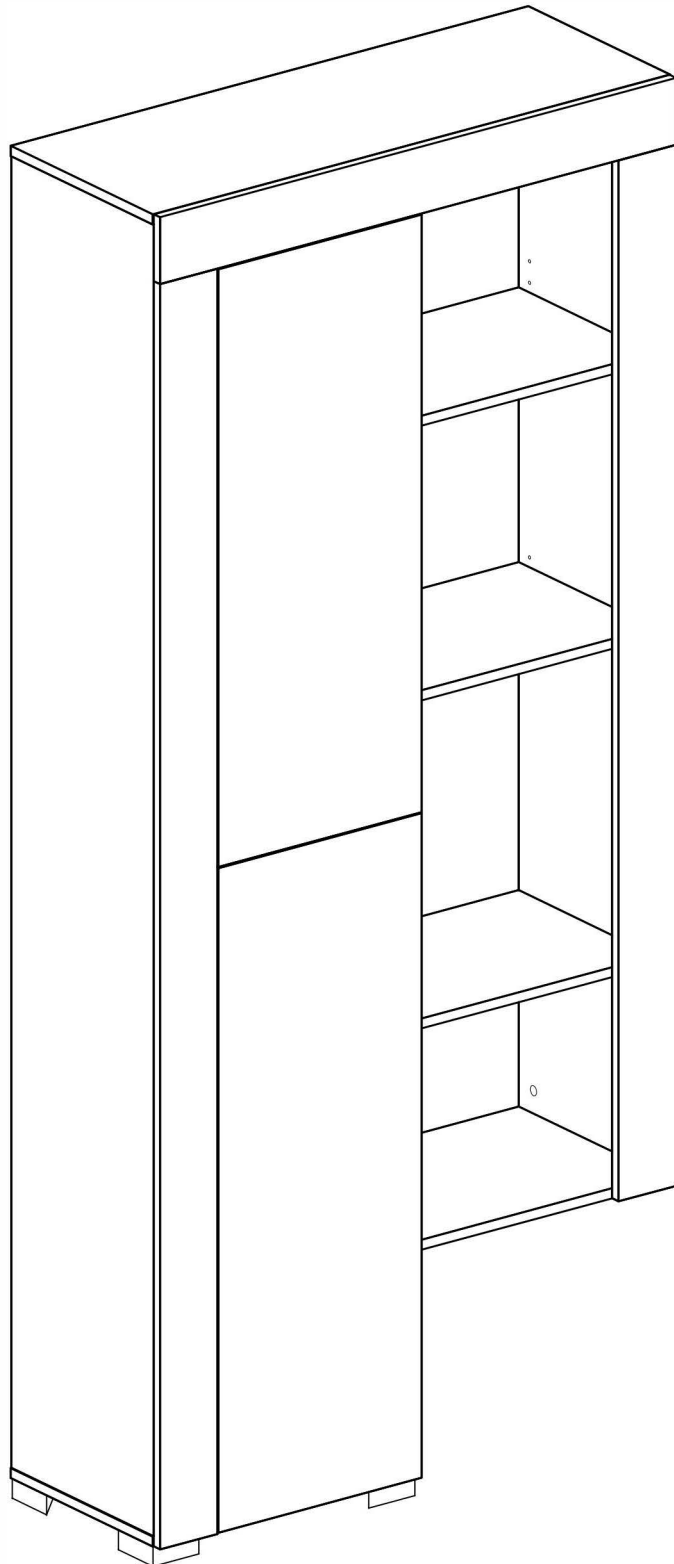
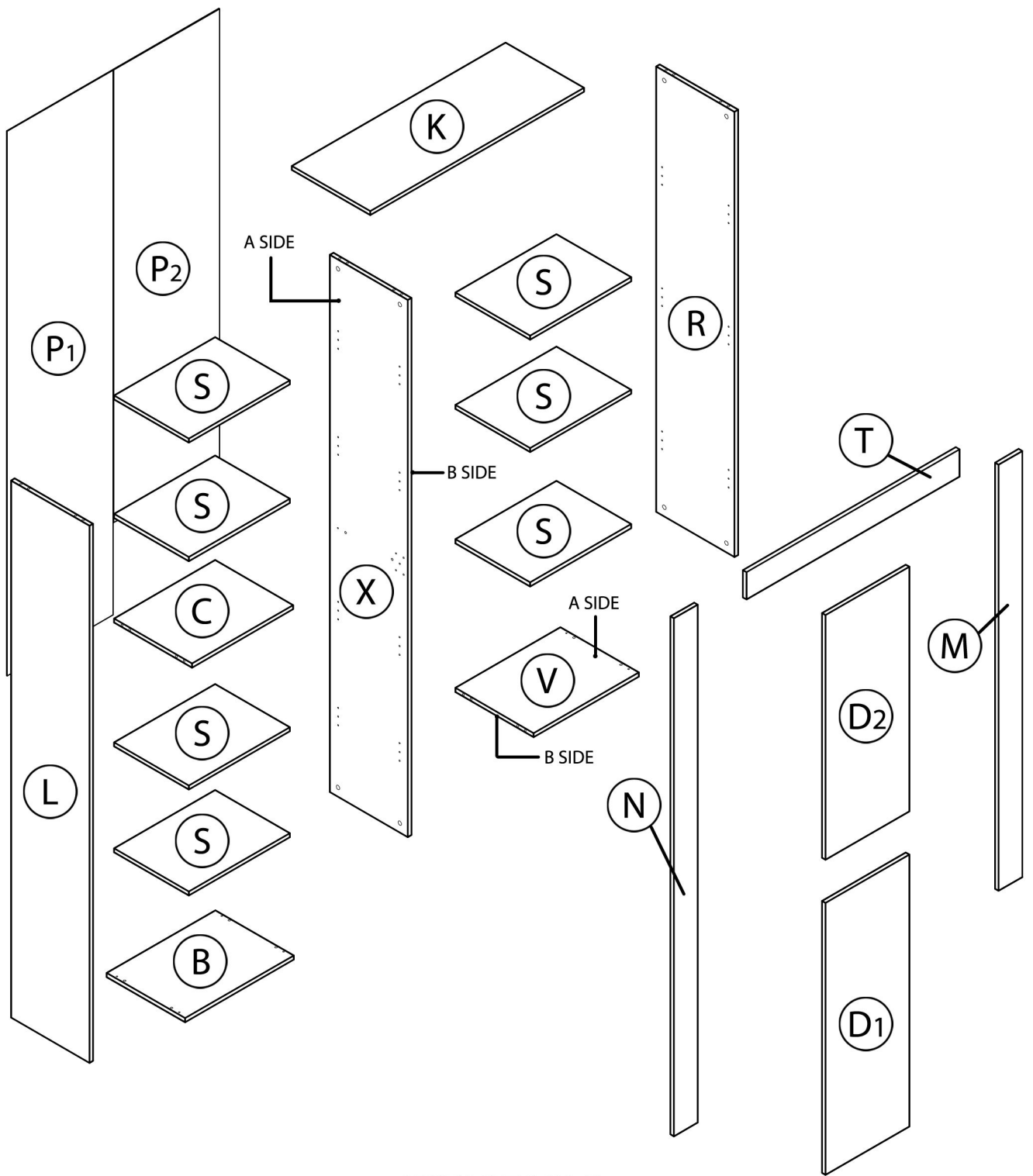
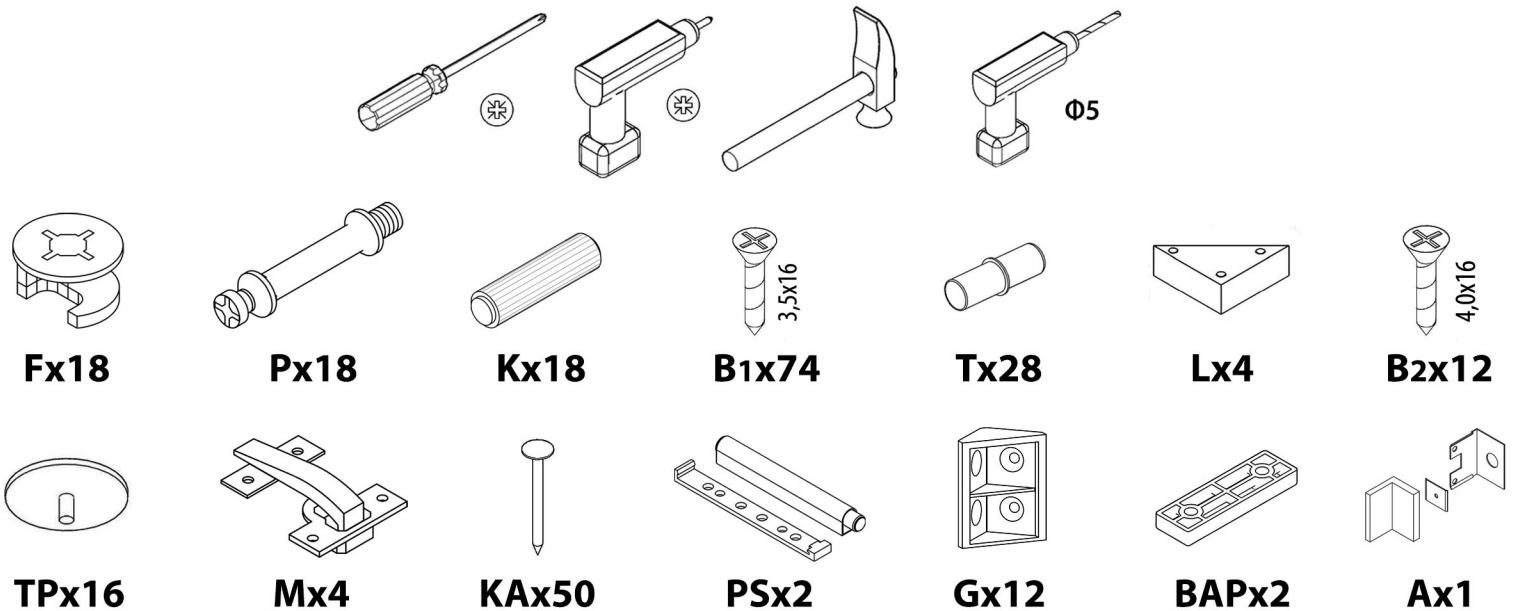


# VID 006.C

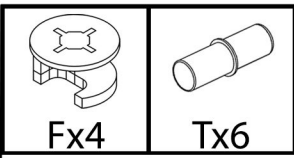




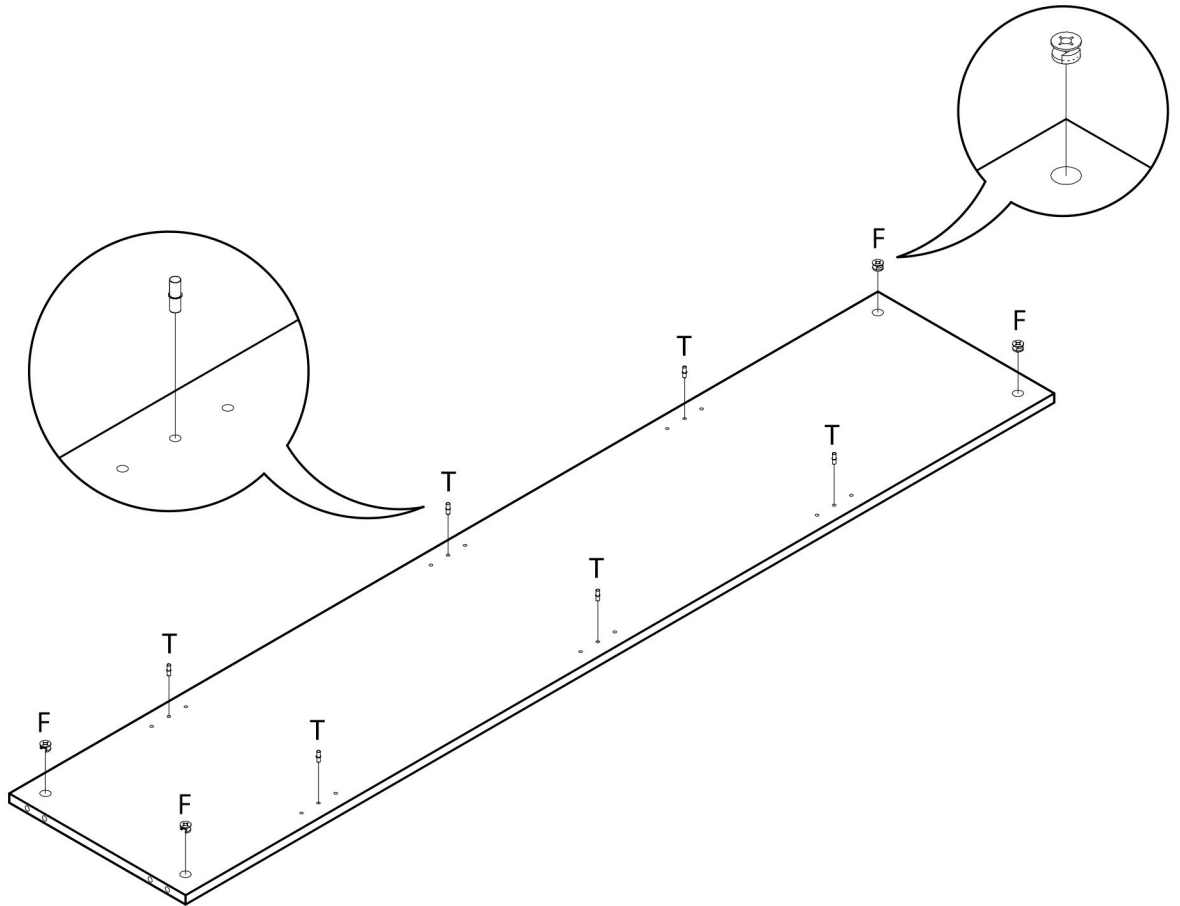
**USING TOOLS**



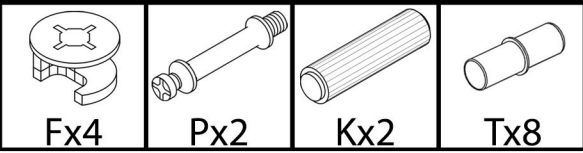
# 1



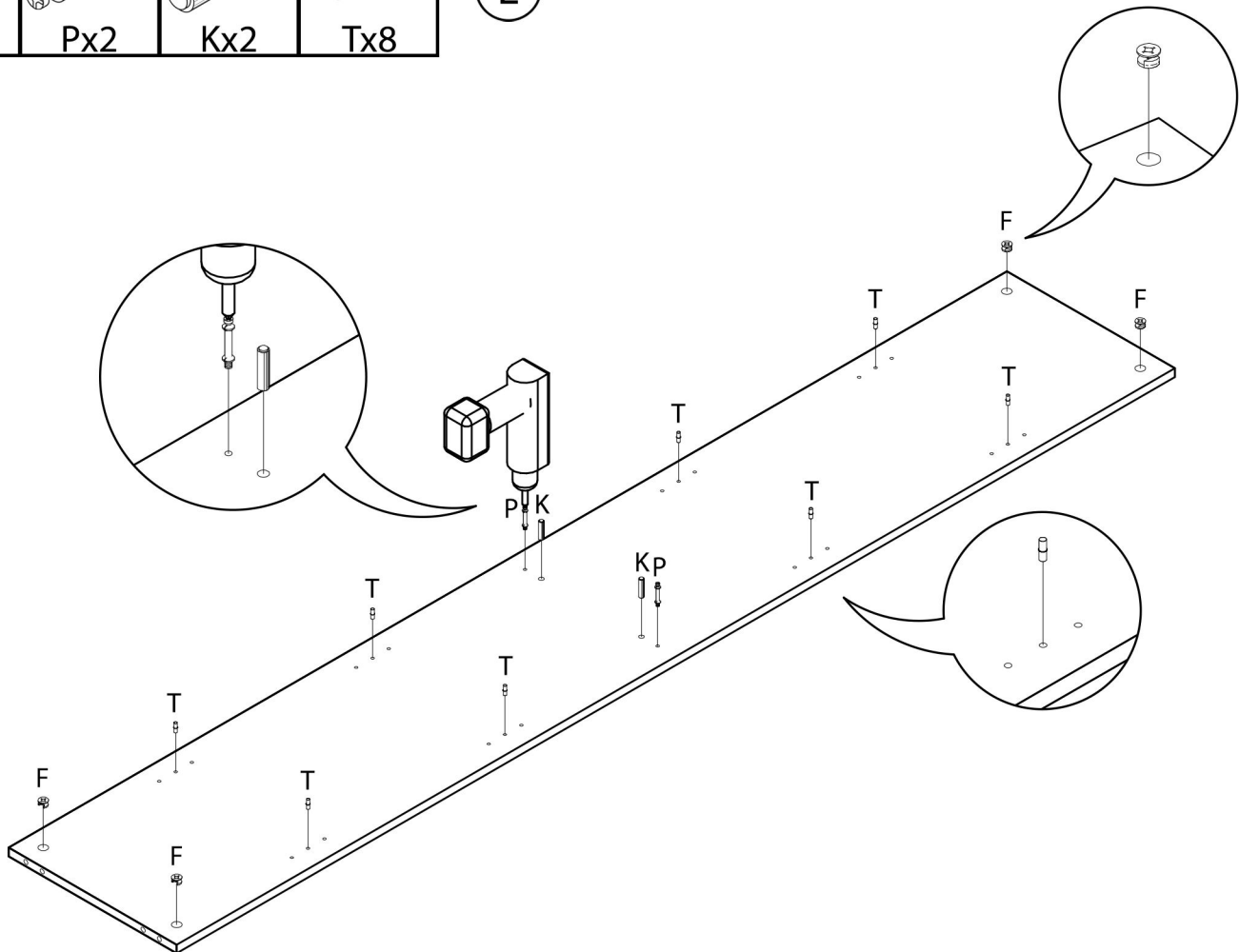
(R)



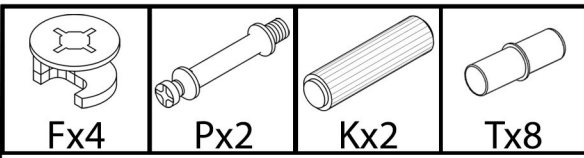
# 2



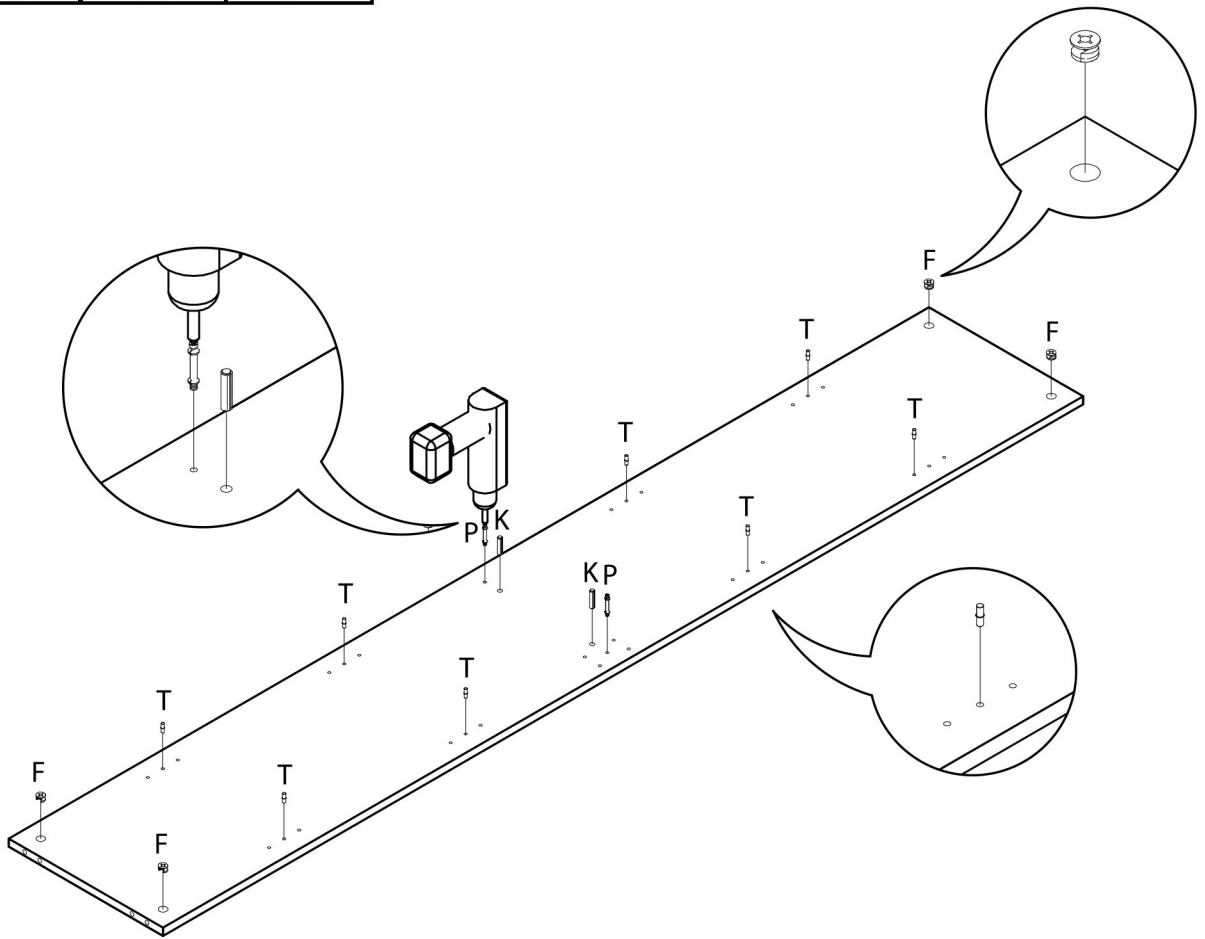
(L)



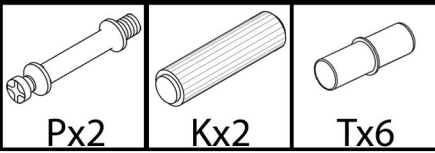
# 3



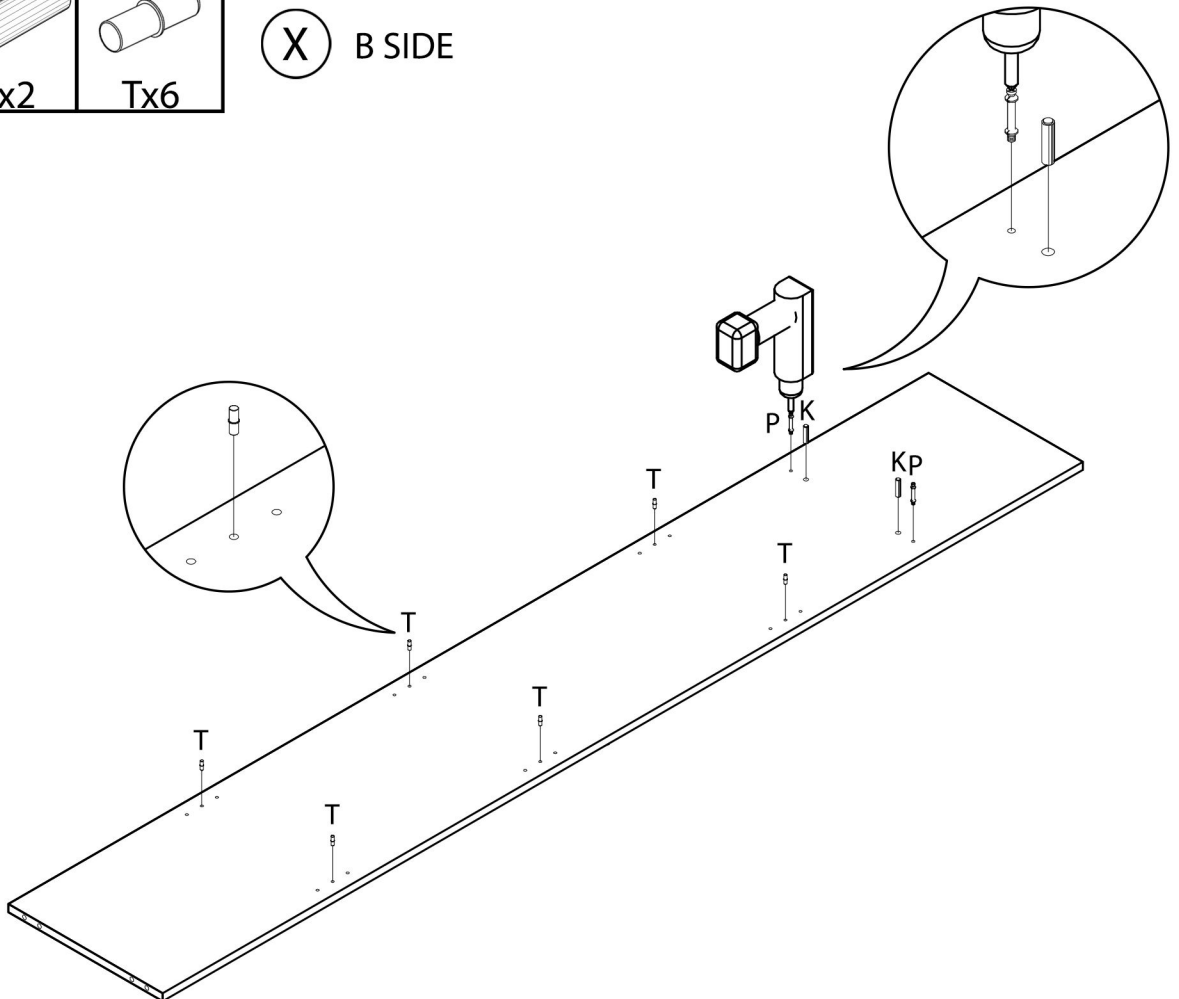
(X) A SIDE



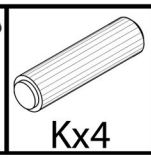
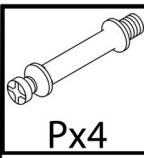
# 4



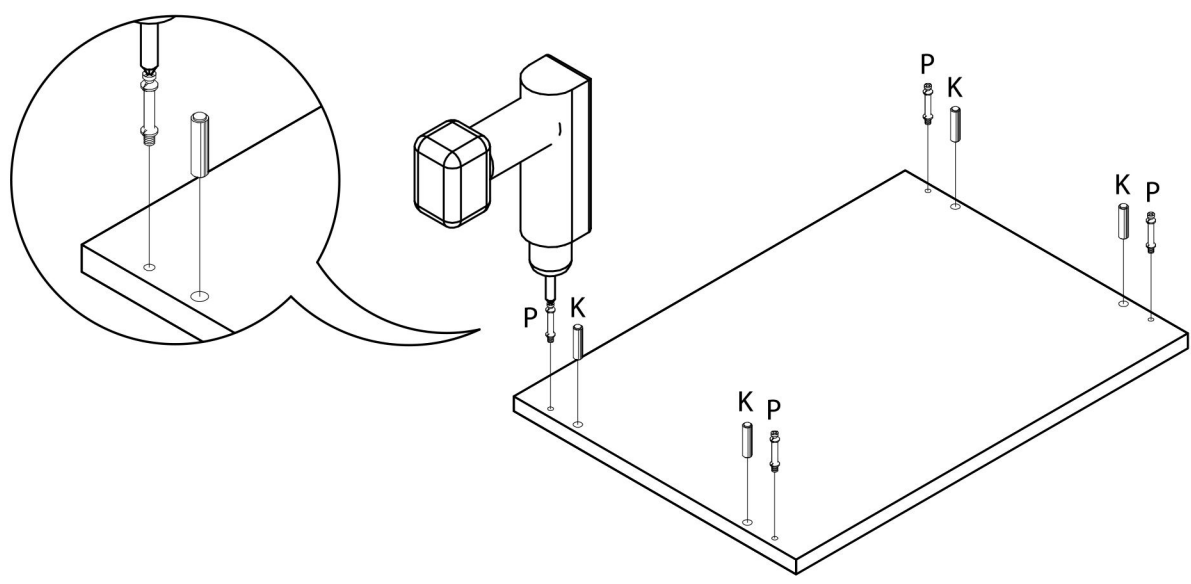
(X) B SIDE



# 5



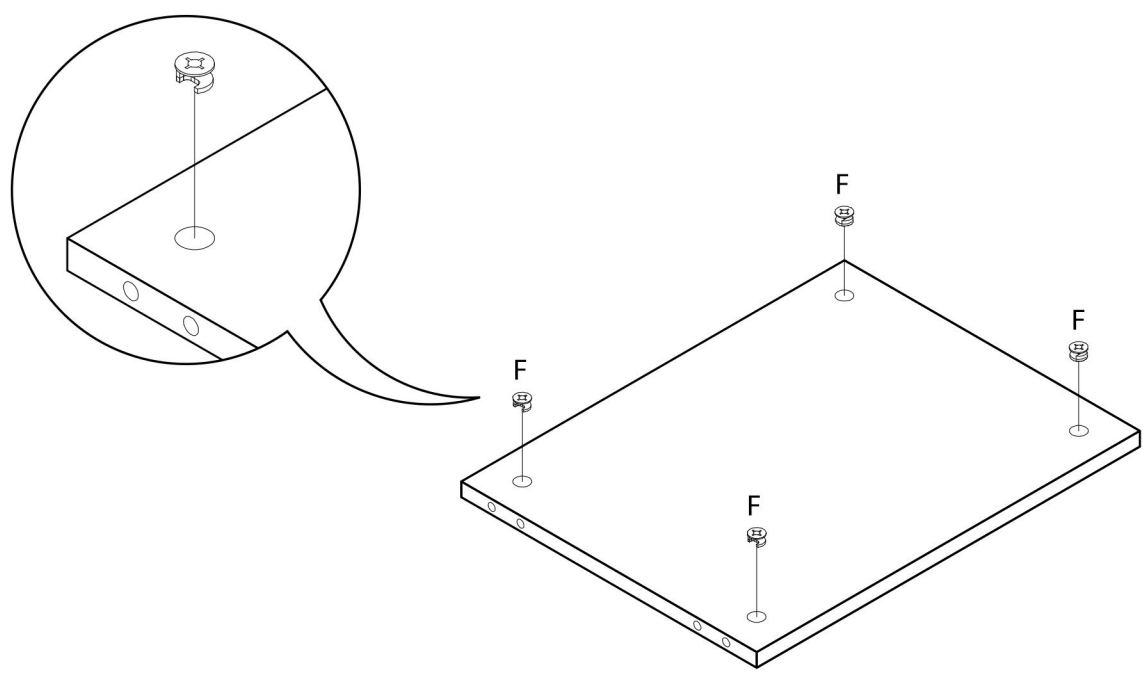
(B)



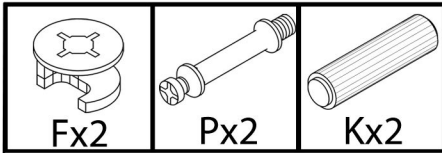
# 6



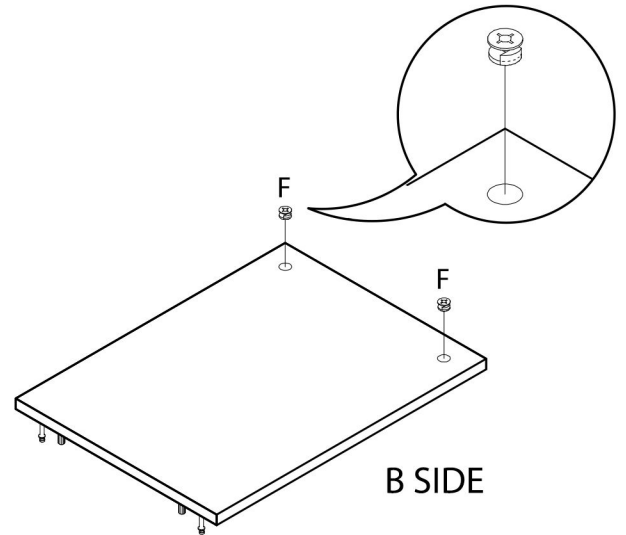
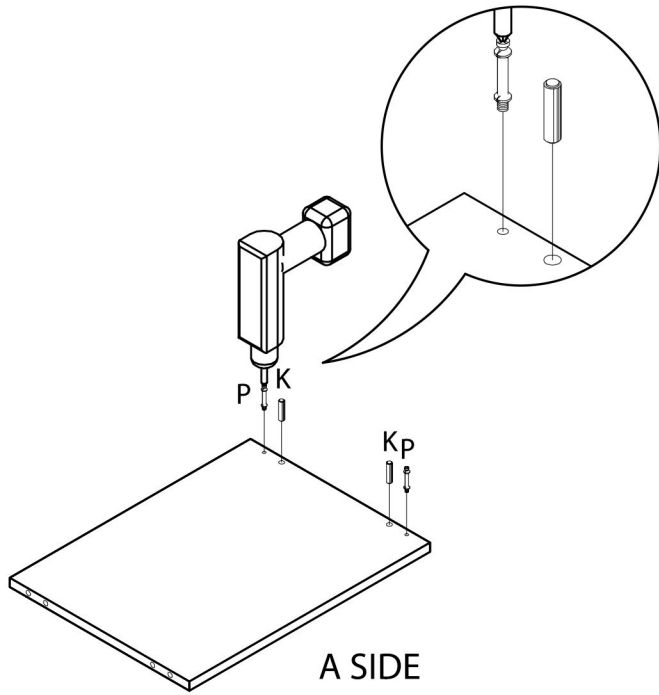
(C)



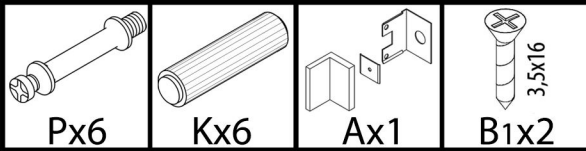
# 7



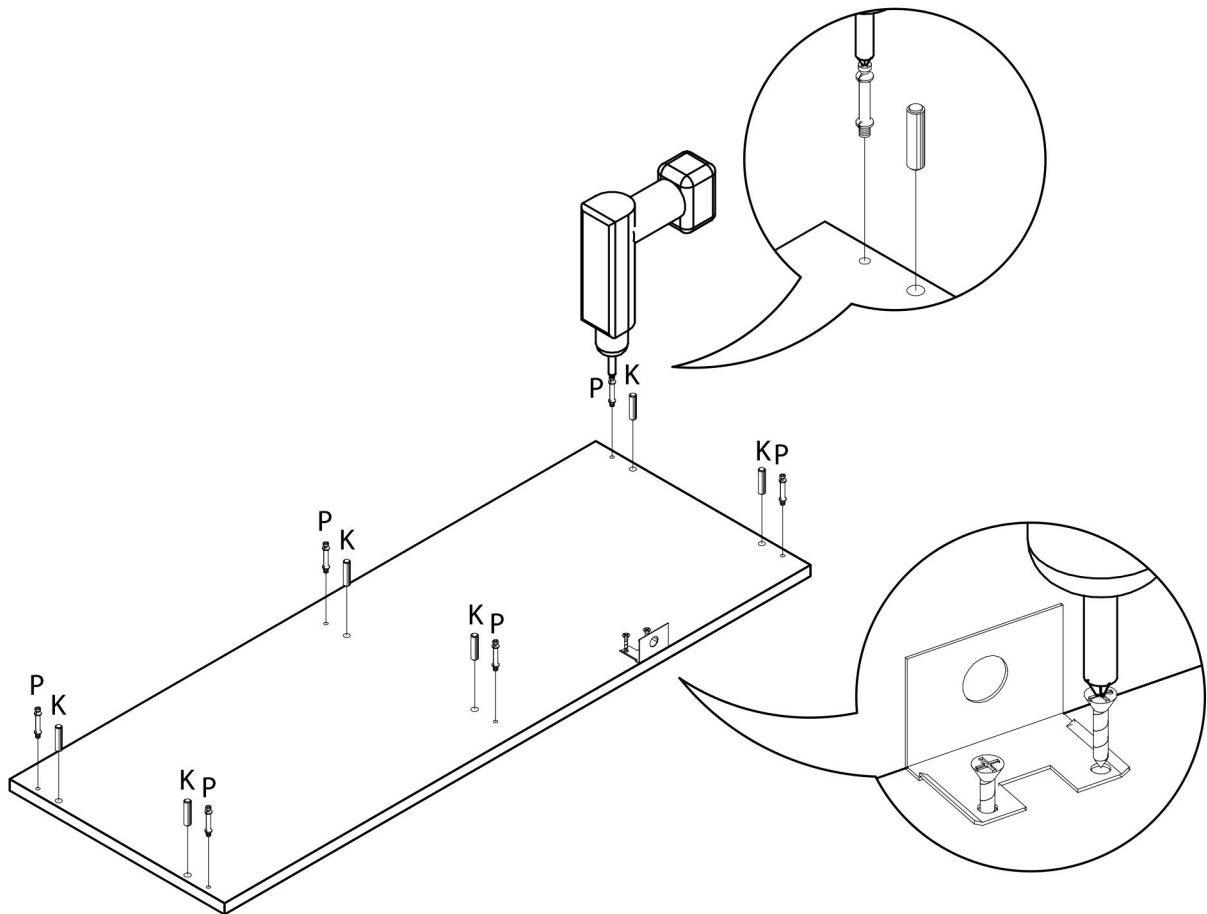
(V)



# 8



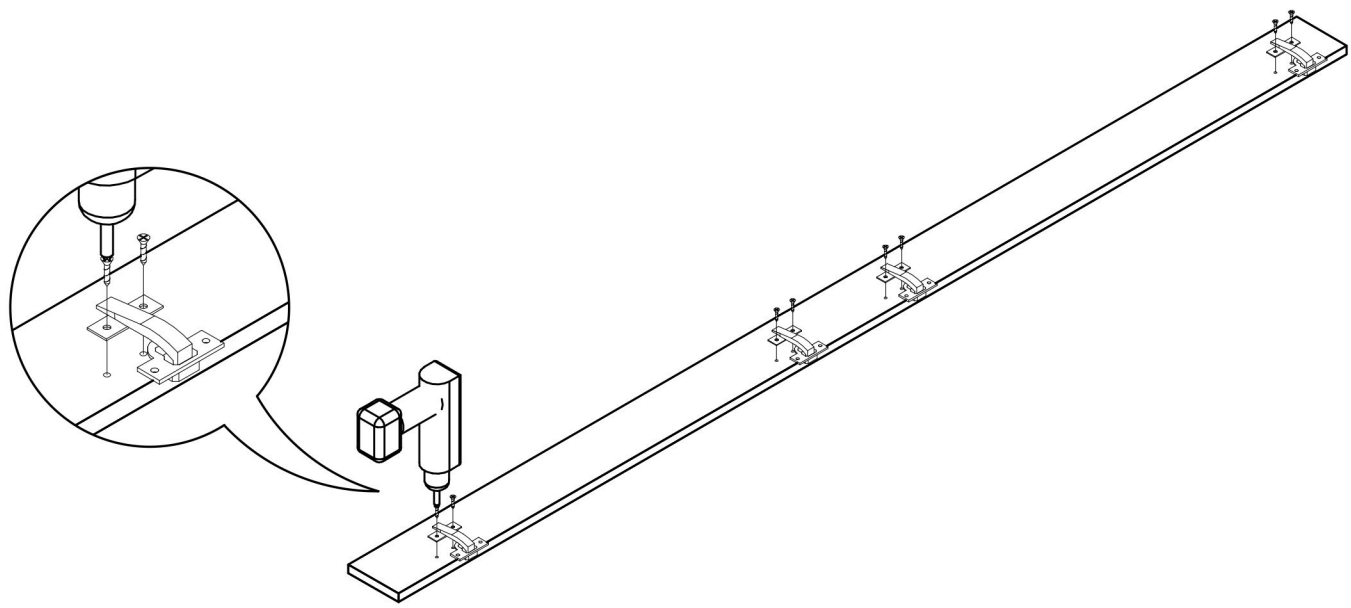
(K)



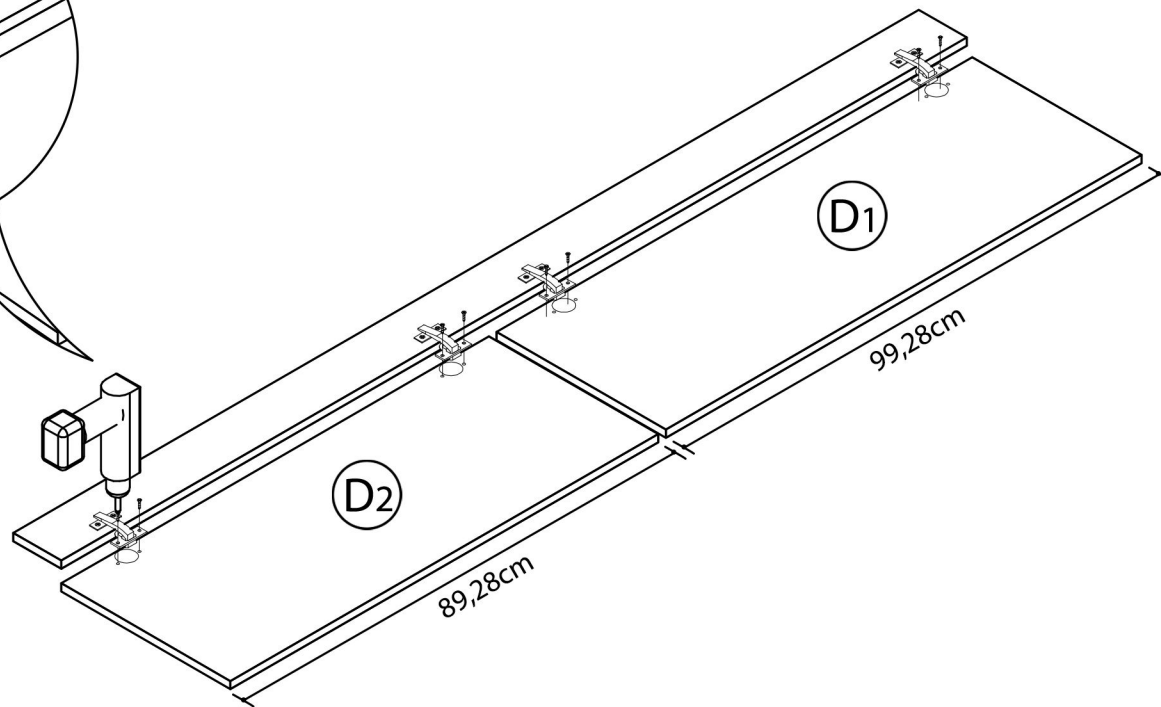
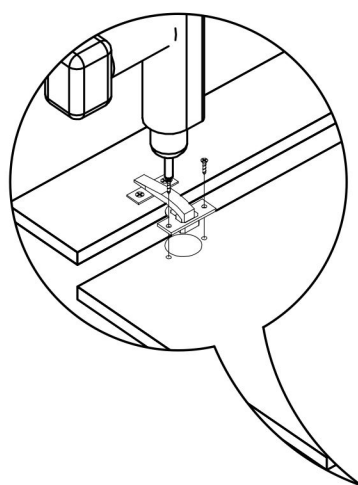
# 9



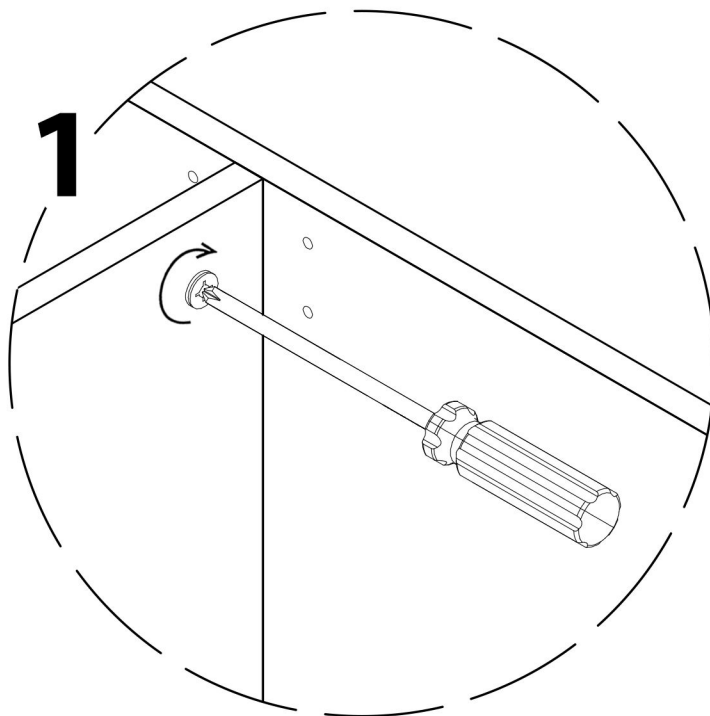
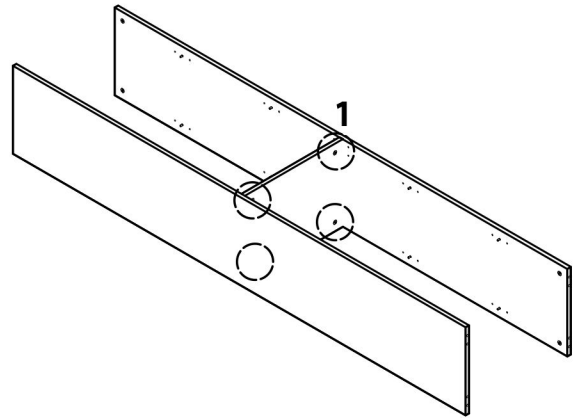
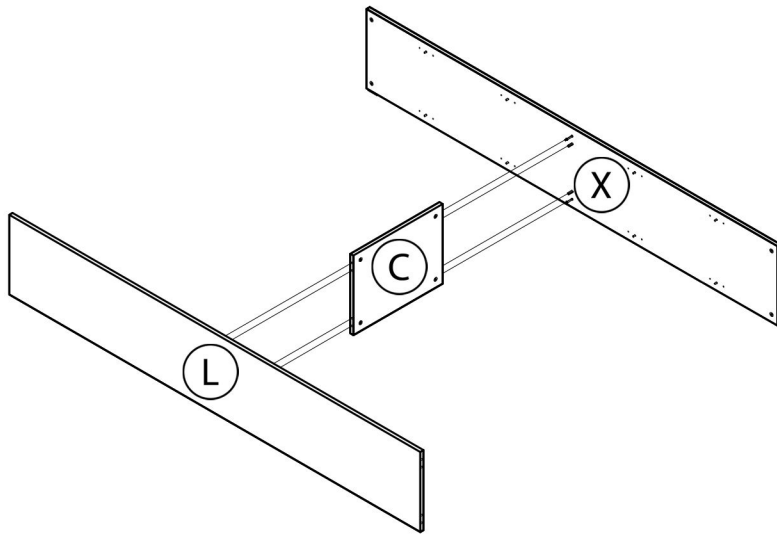
(N)



# 10

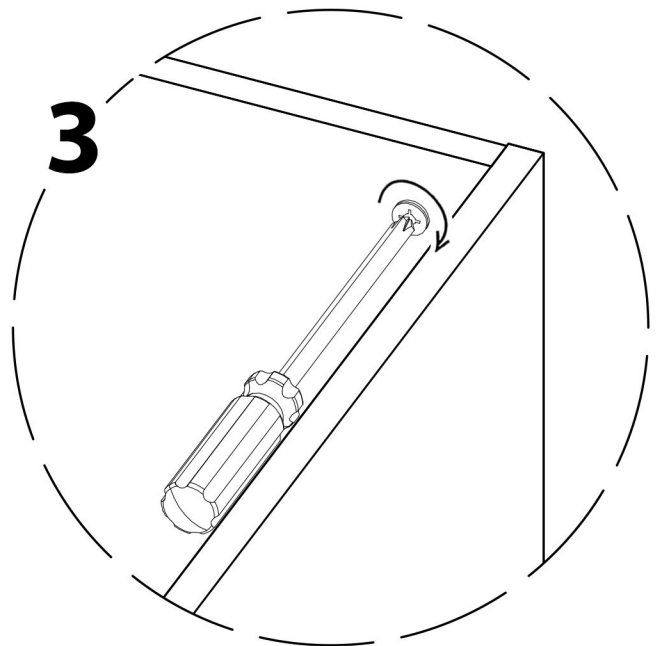
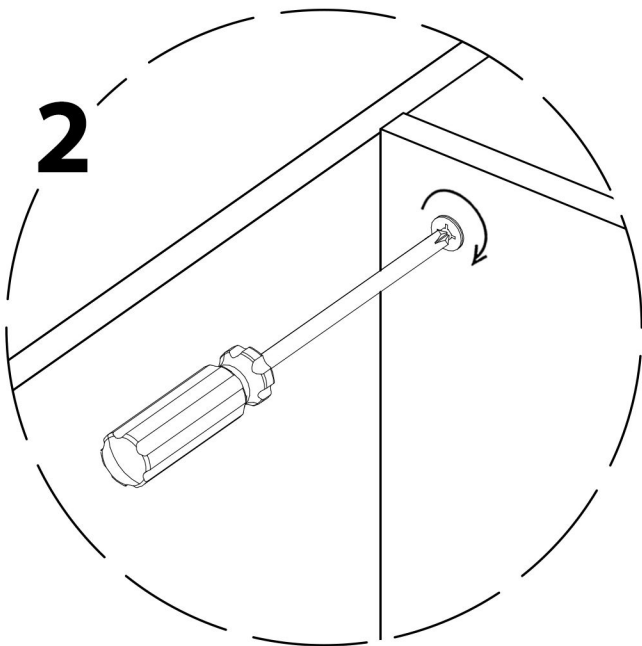
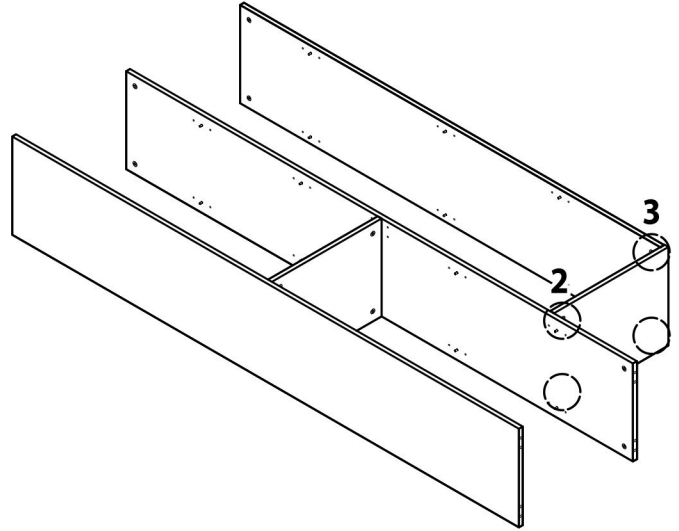
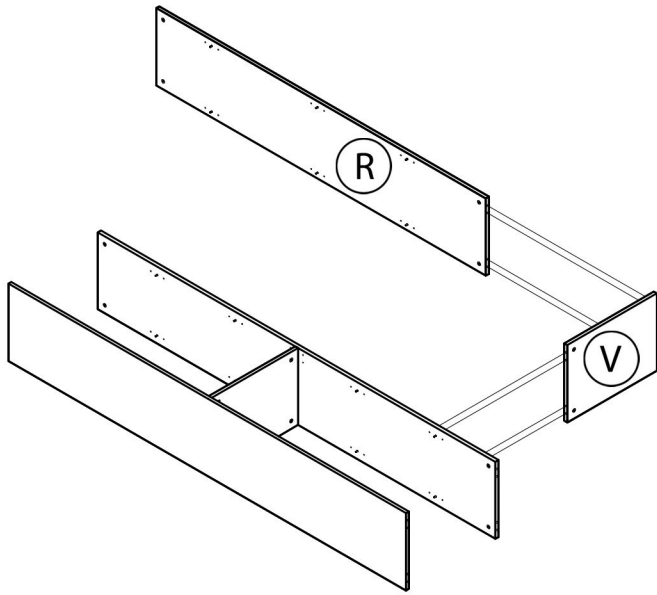


# 11

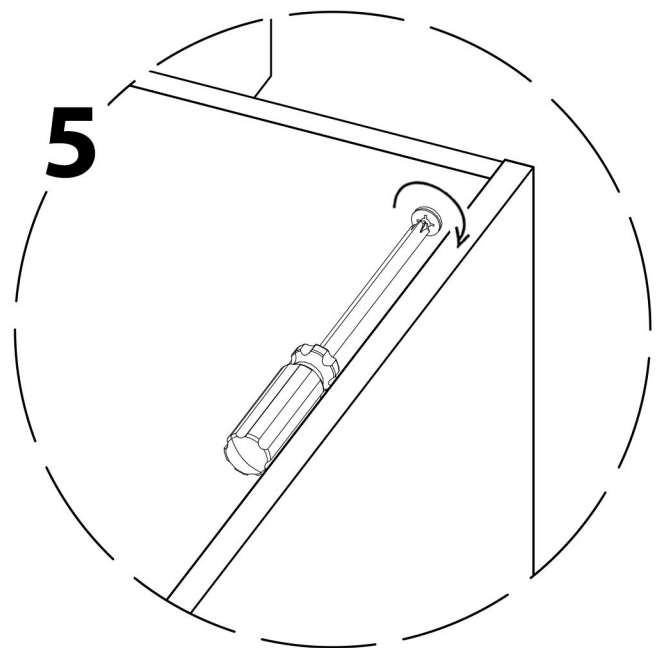
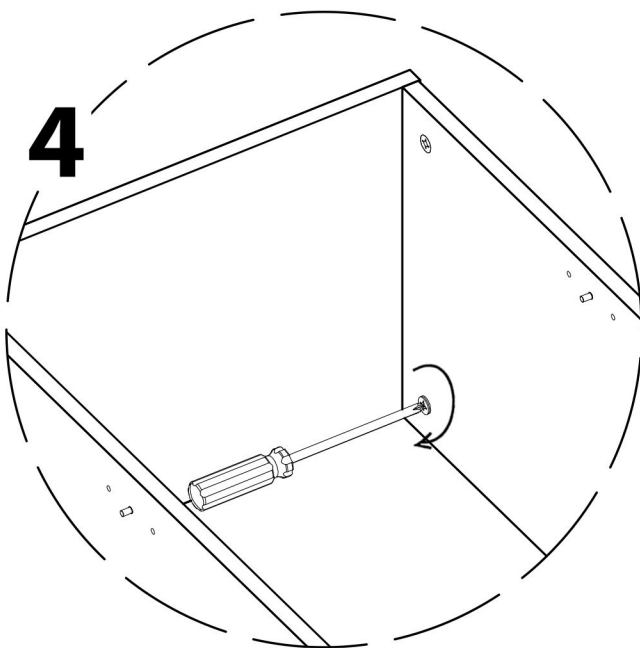
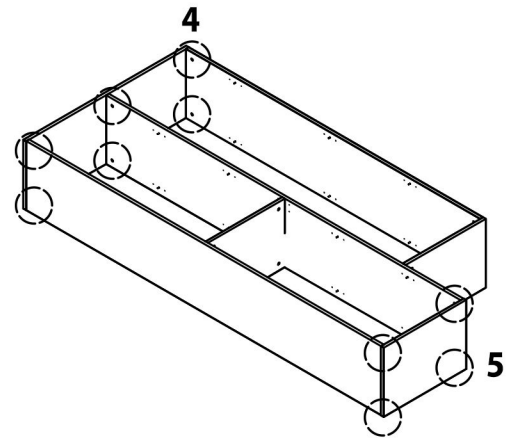
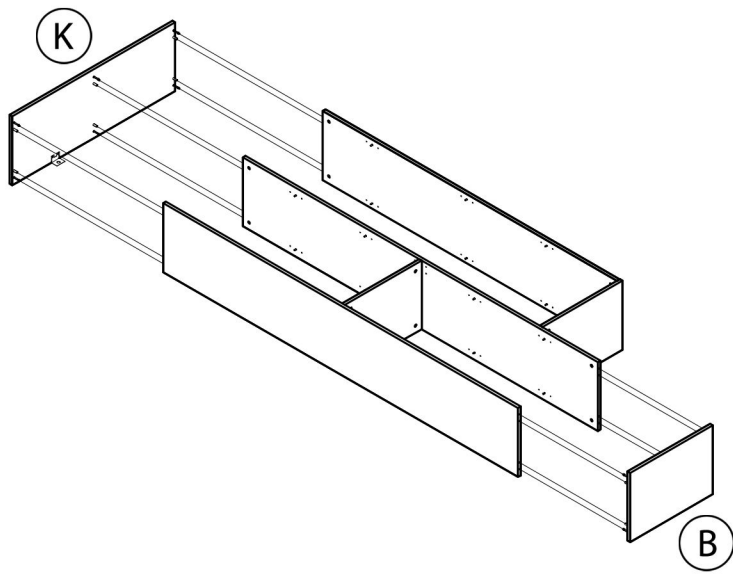




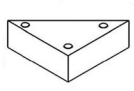
# 12



# 13



# 14

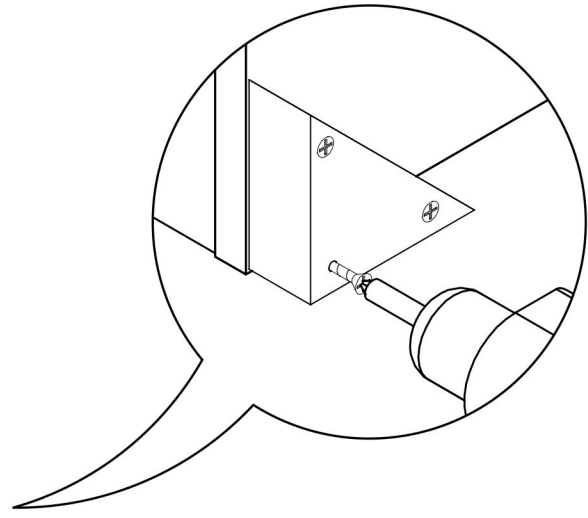
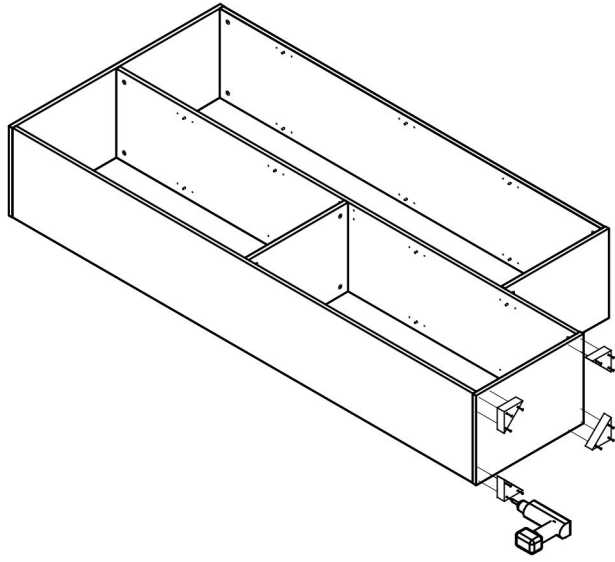


Lx4



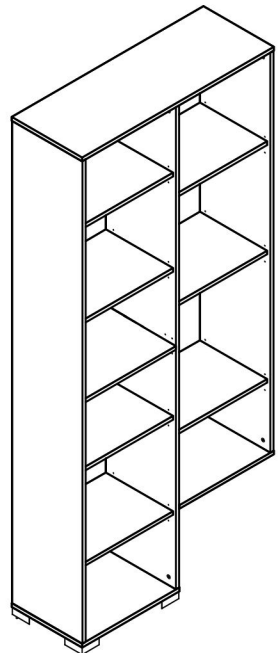
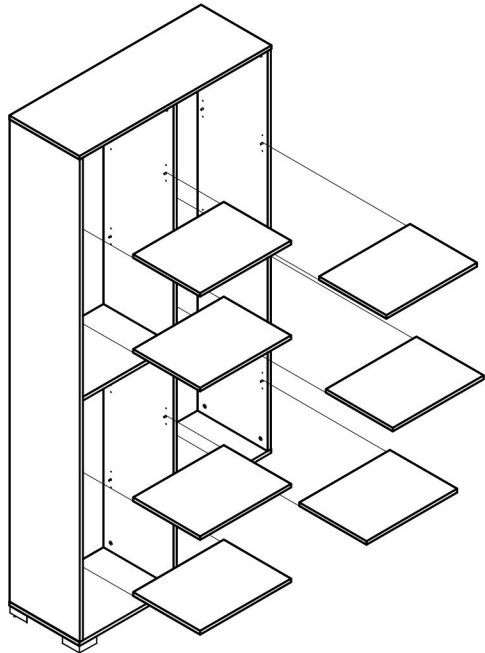
B2x12

(B)

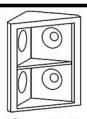


# 15

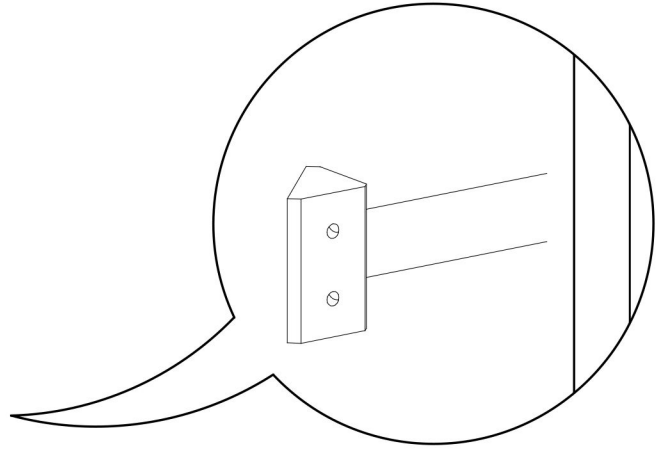
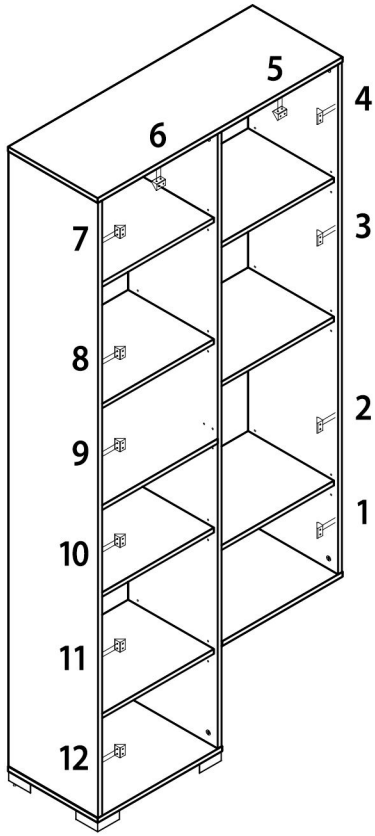
(S) x7



# 16



Gx12

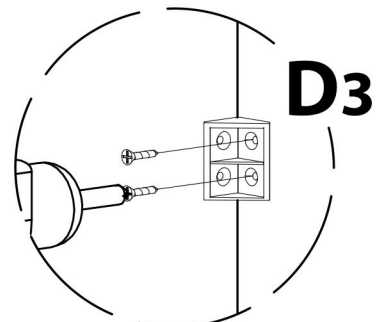
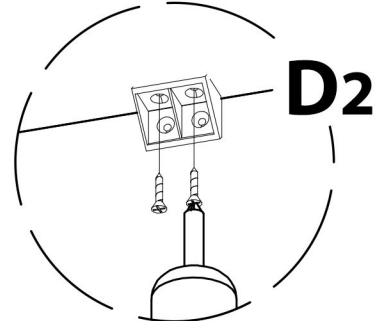
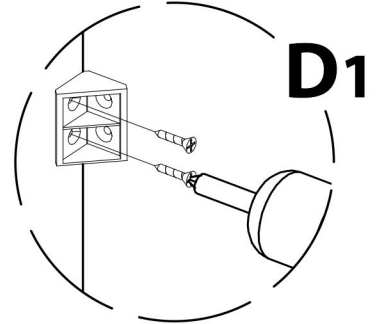
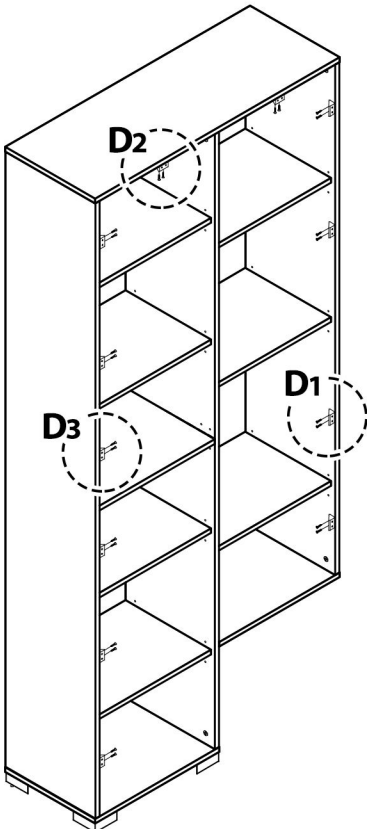


# 17



3,5x16

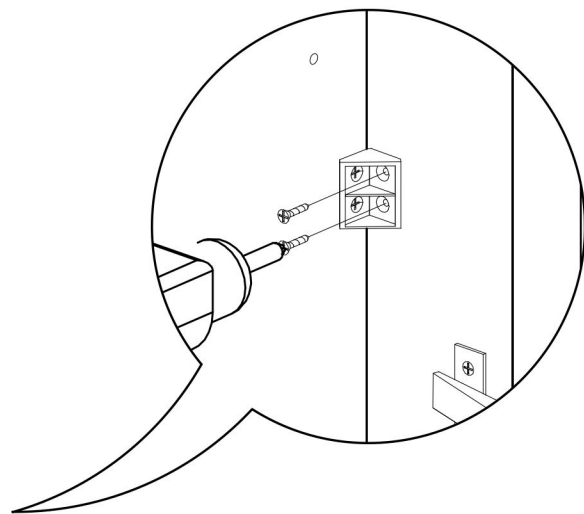
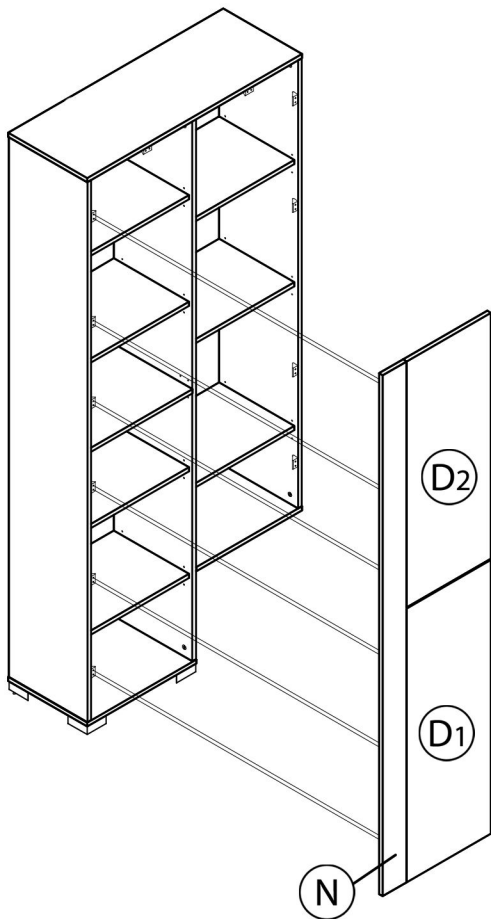
B1x24



# 18



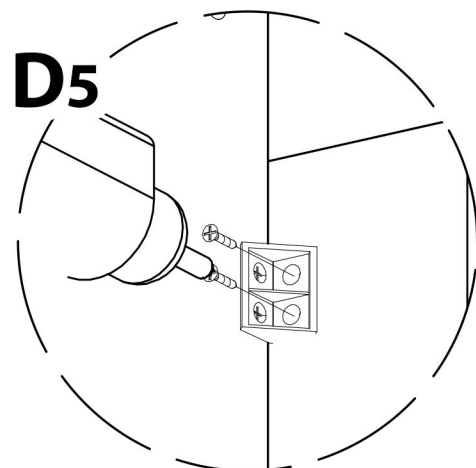
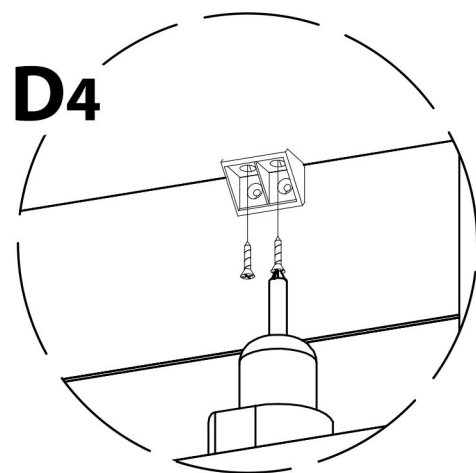
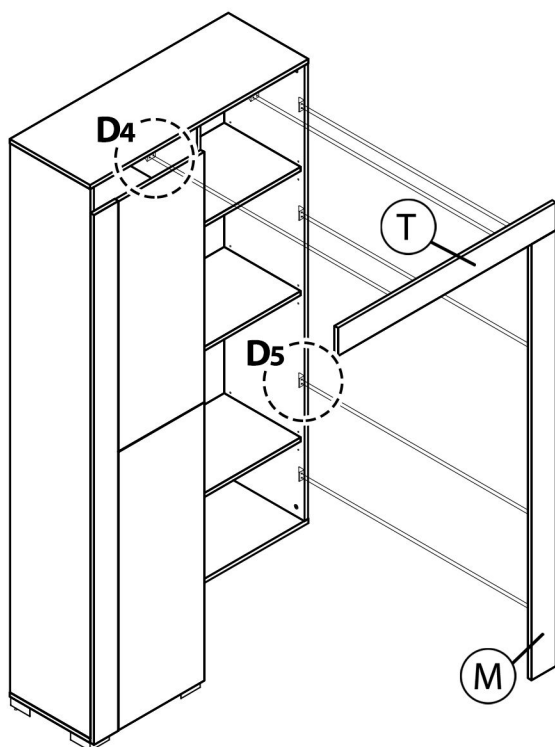
B1x12



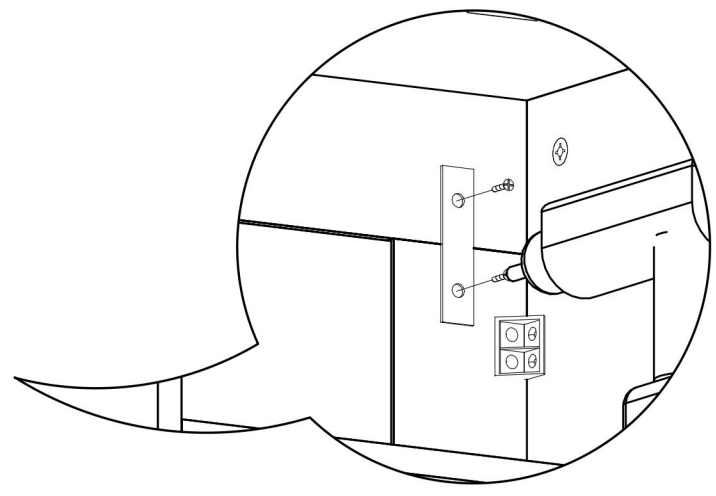
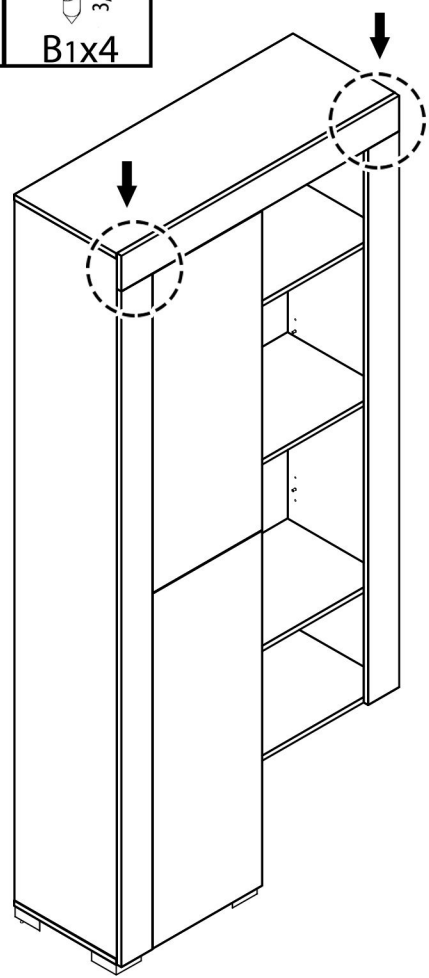
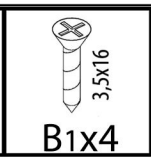
# 19



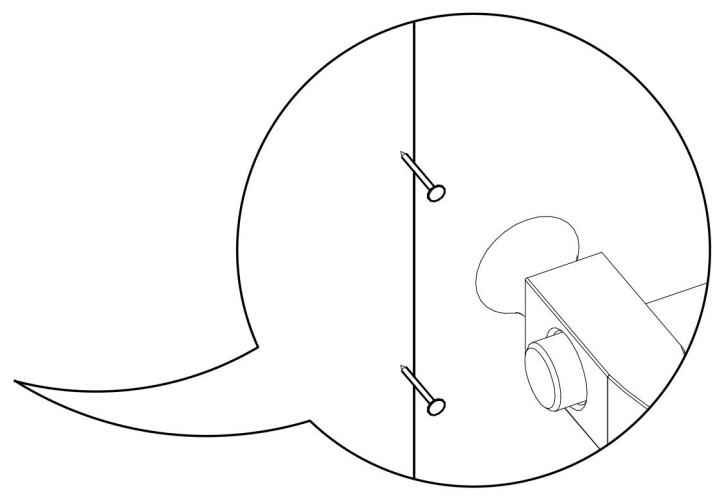
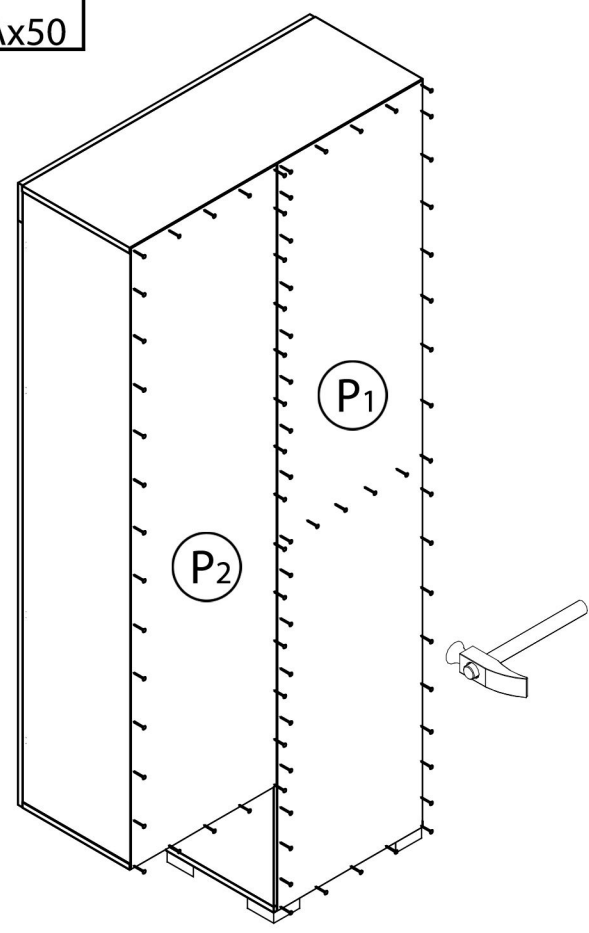
B1x12



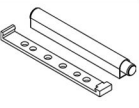
# 20



# 21



# 22



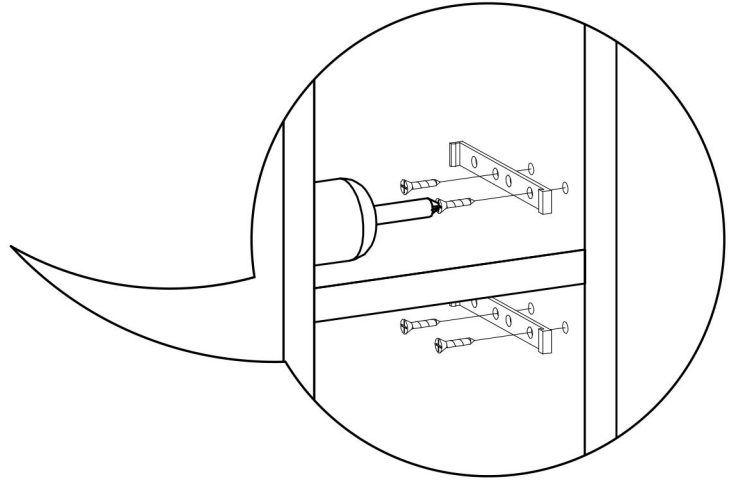
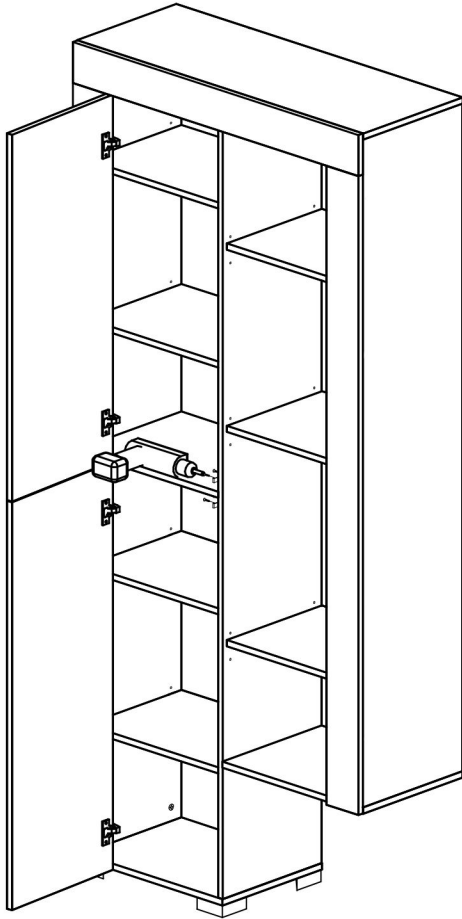
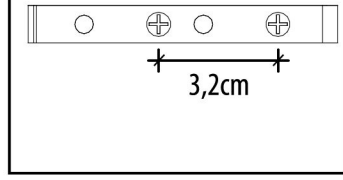
PSx2



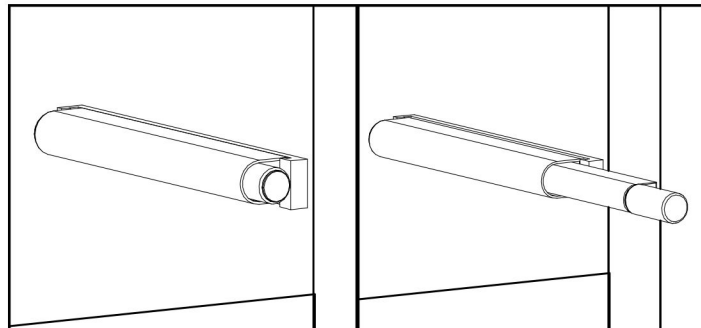
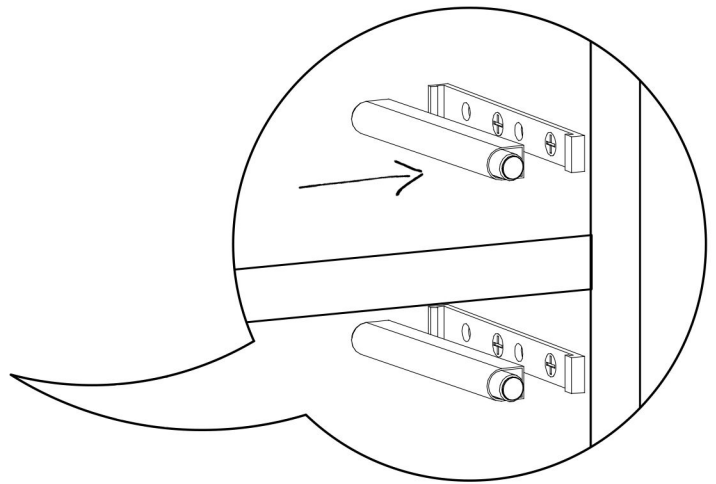
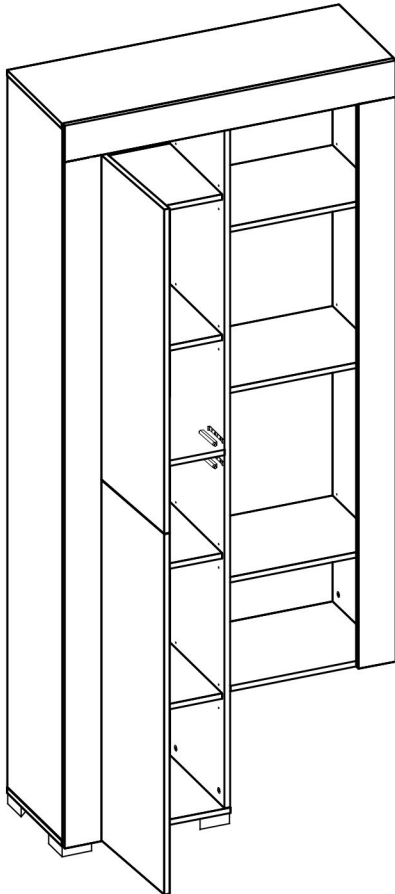
B1x4



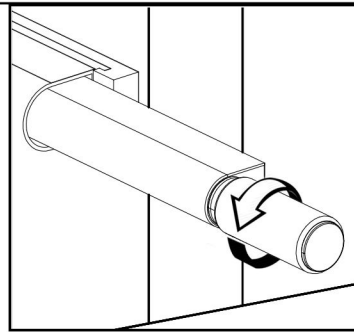
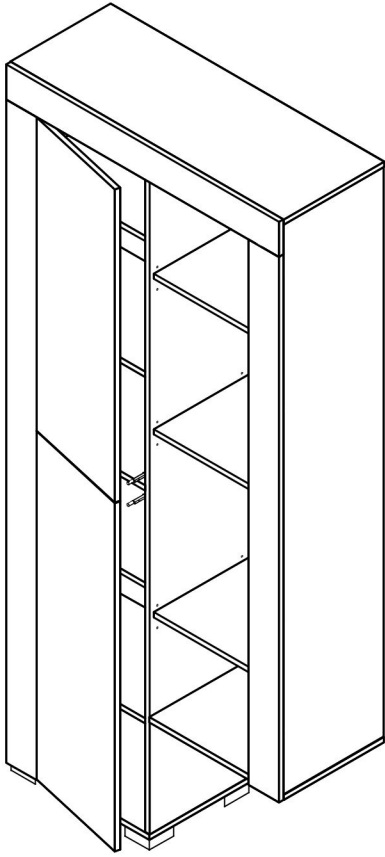
A SIDE



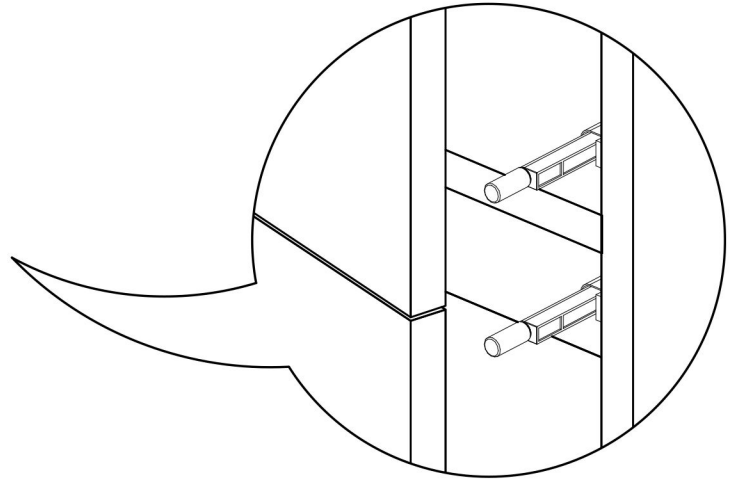
# 23



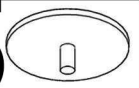
# 24



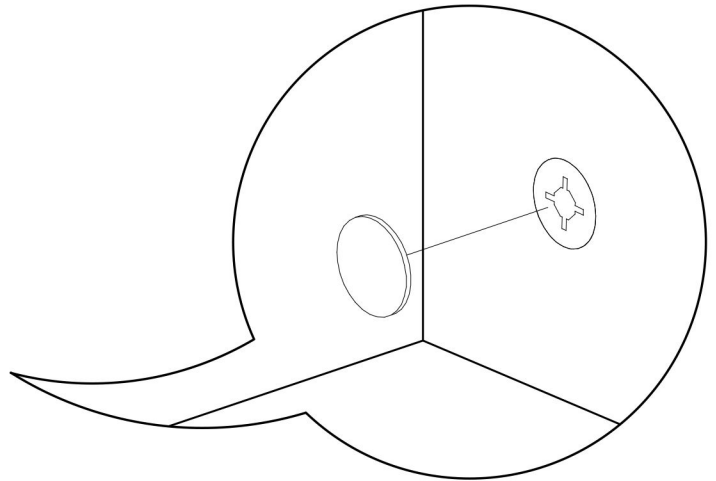
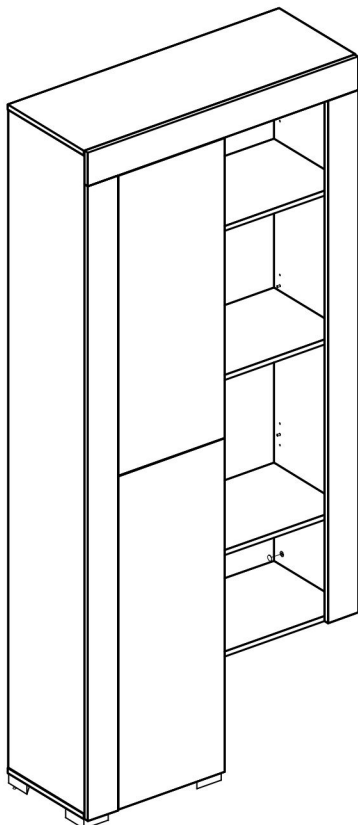
adjust push button to fit the door



# 25



TPx16





# INSTALLATION HANGING UNIT

