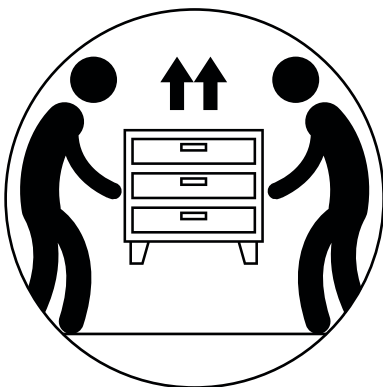
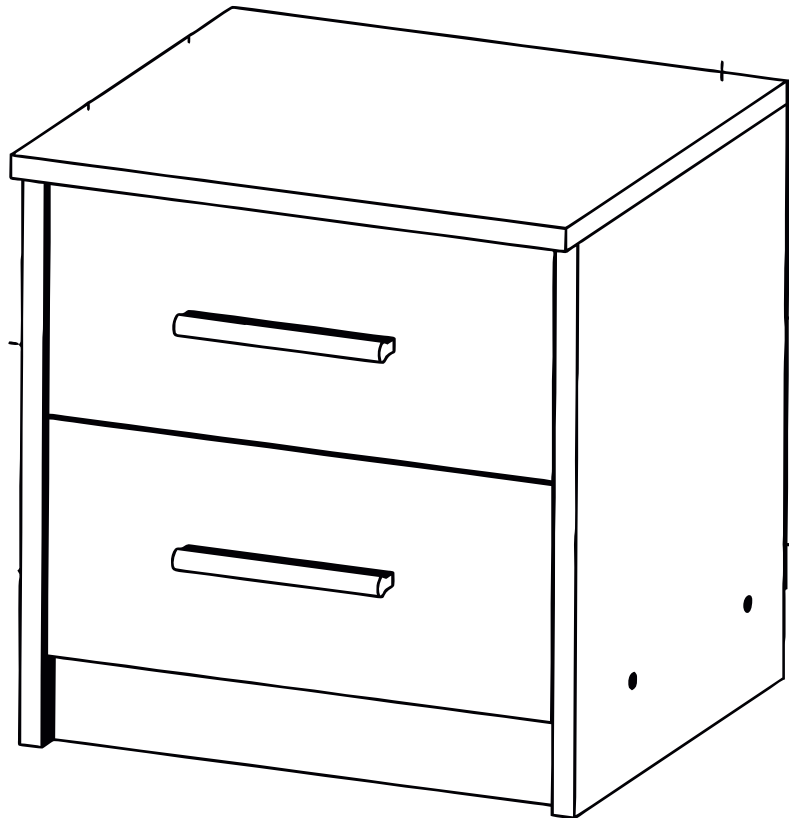
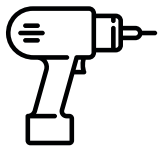
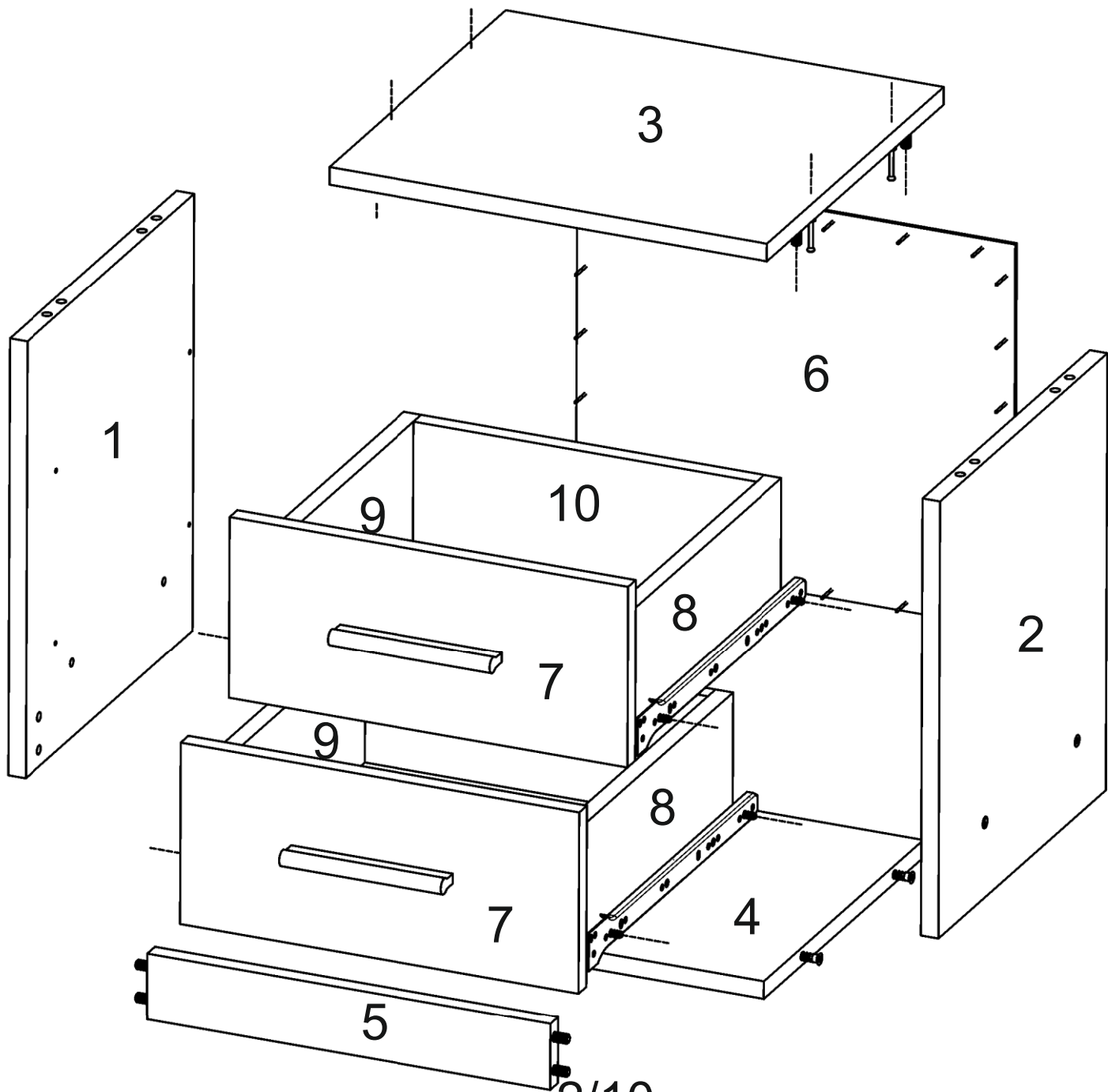
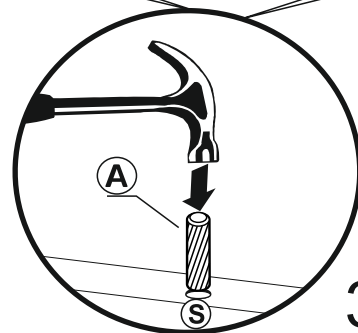
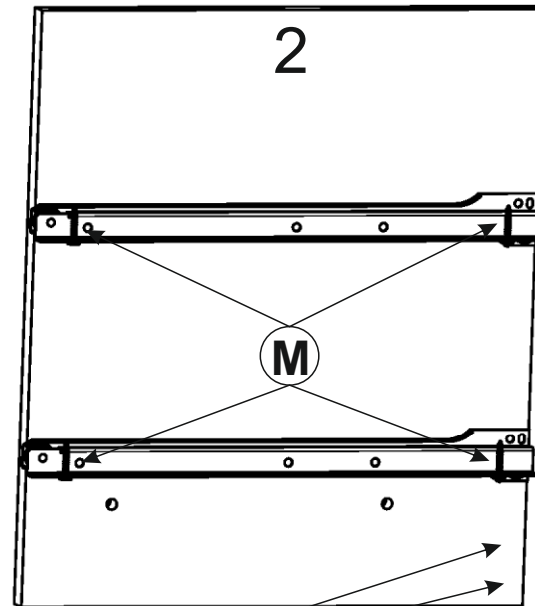
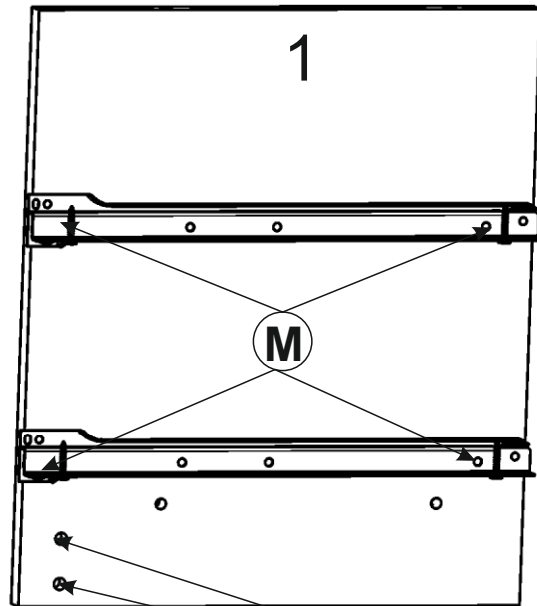
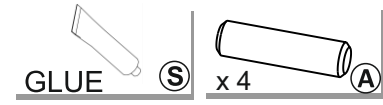


# BODO COD 2S

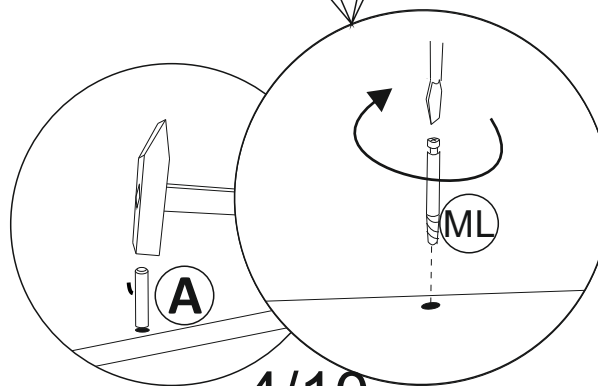
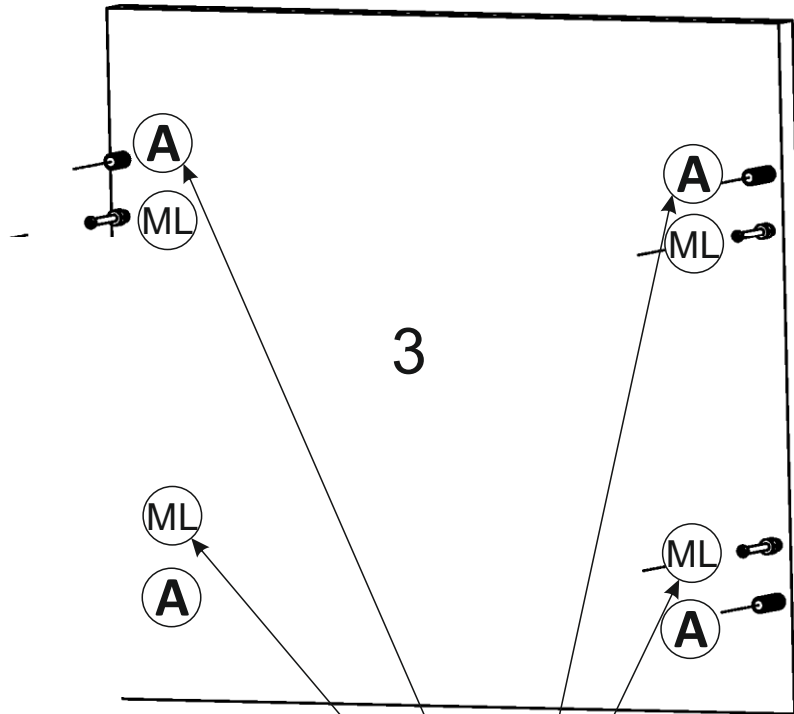
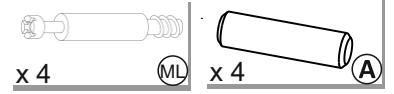
# BDO29

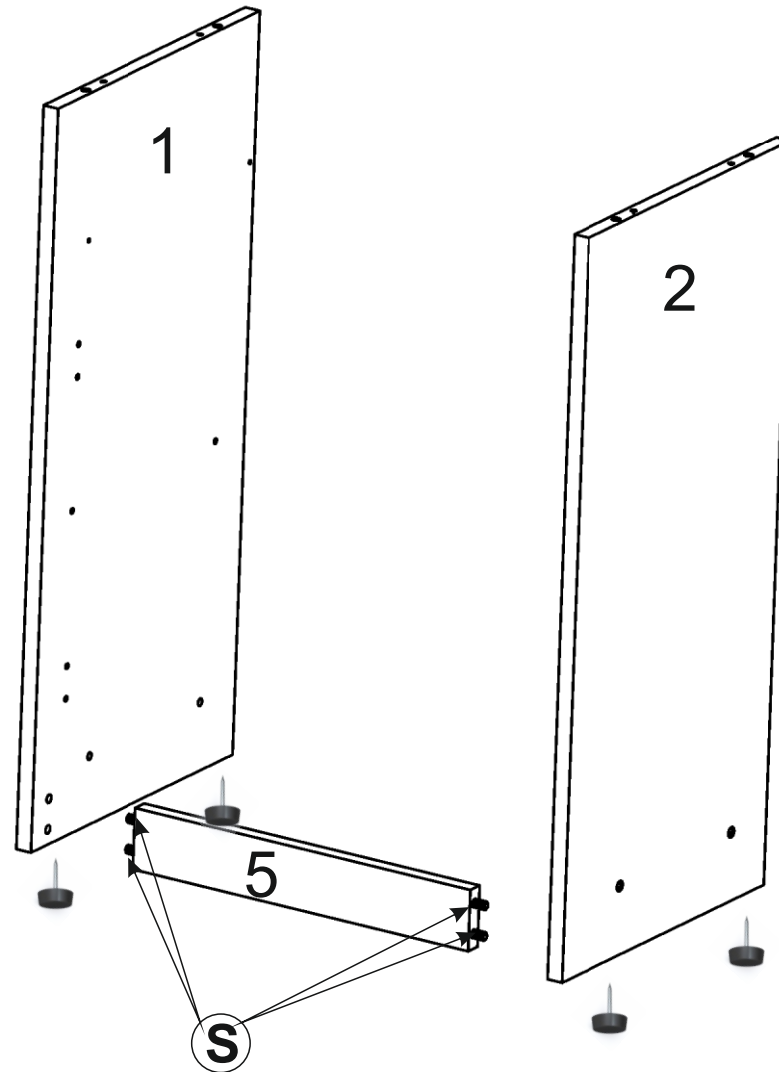
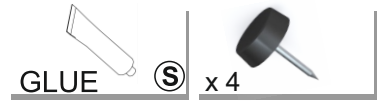




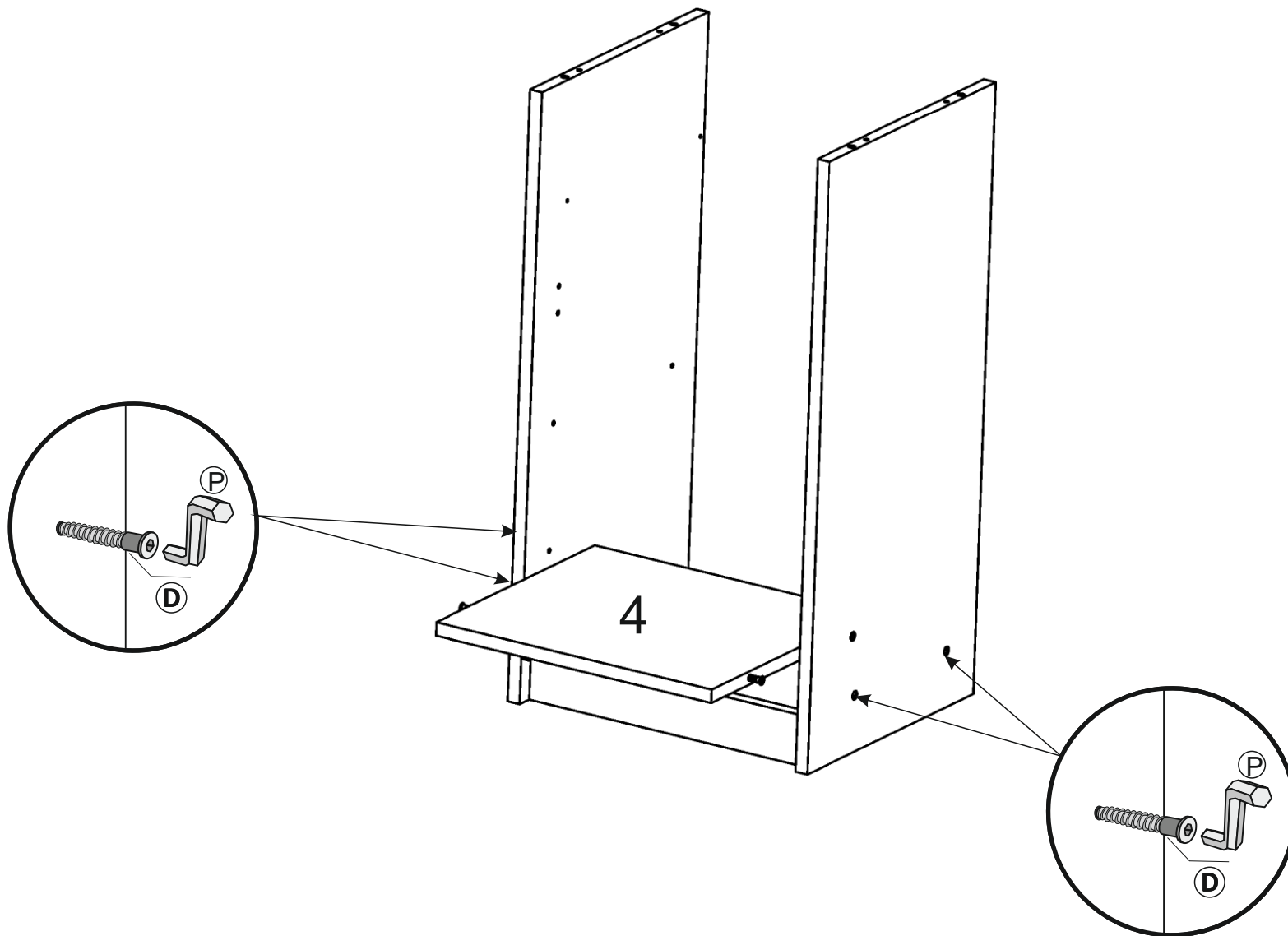
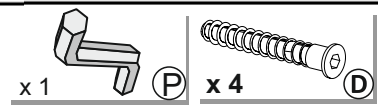


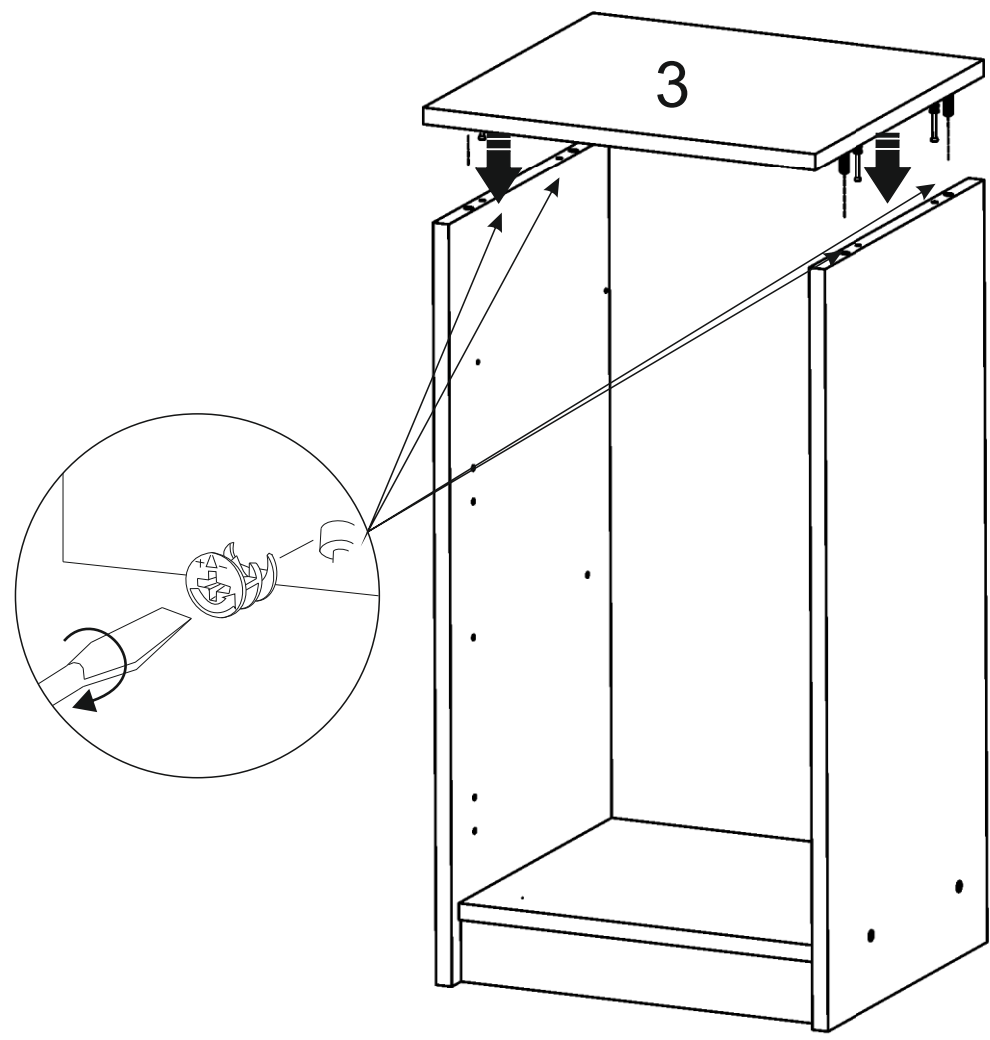
3/10

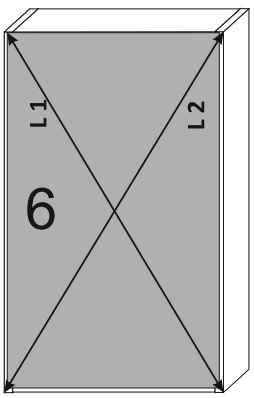




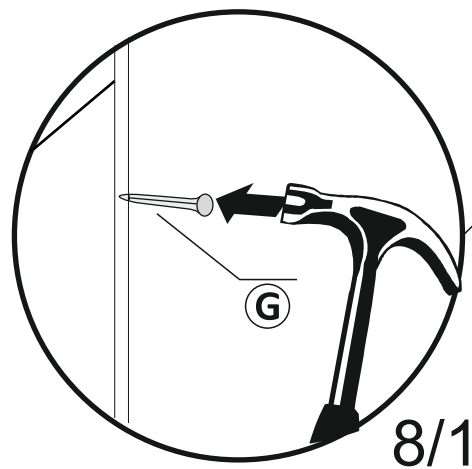
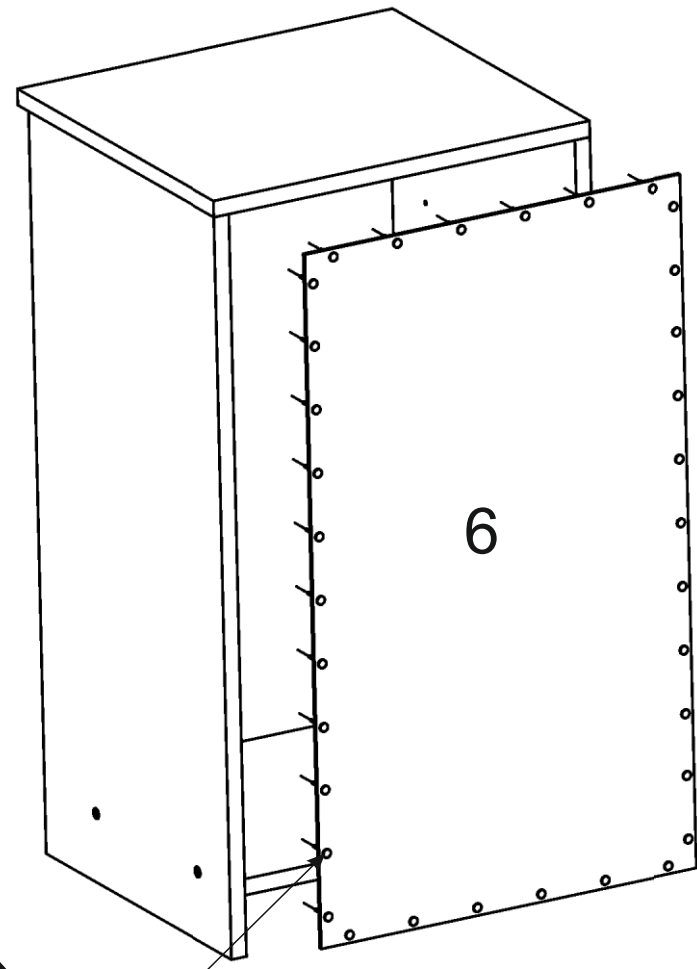
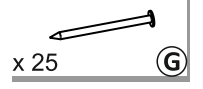
5/10







L1 = L2



8/10



