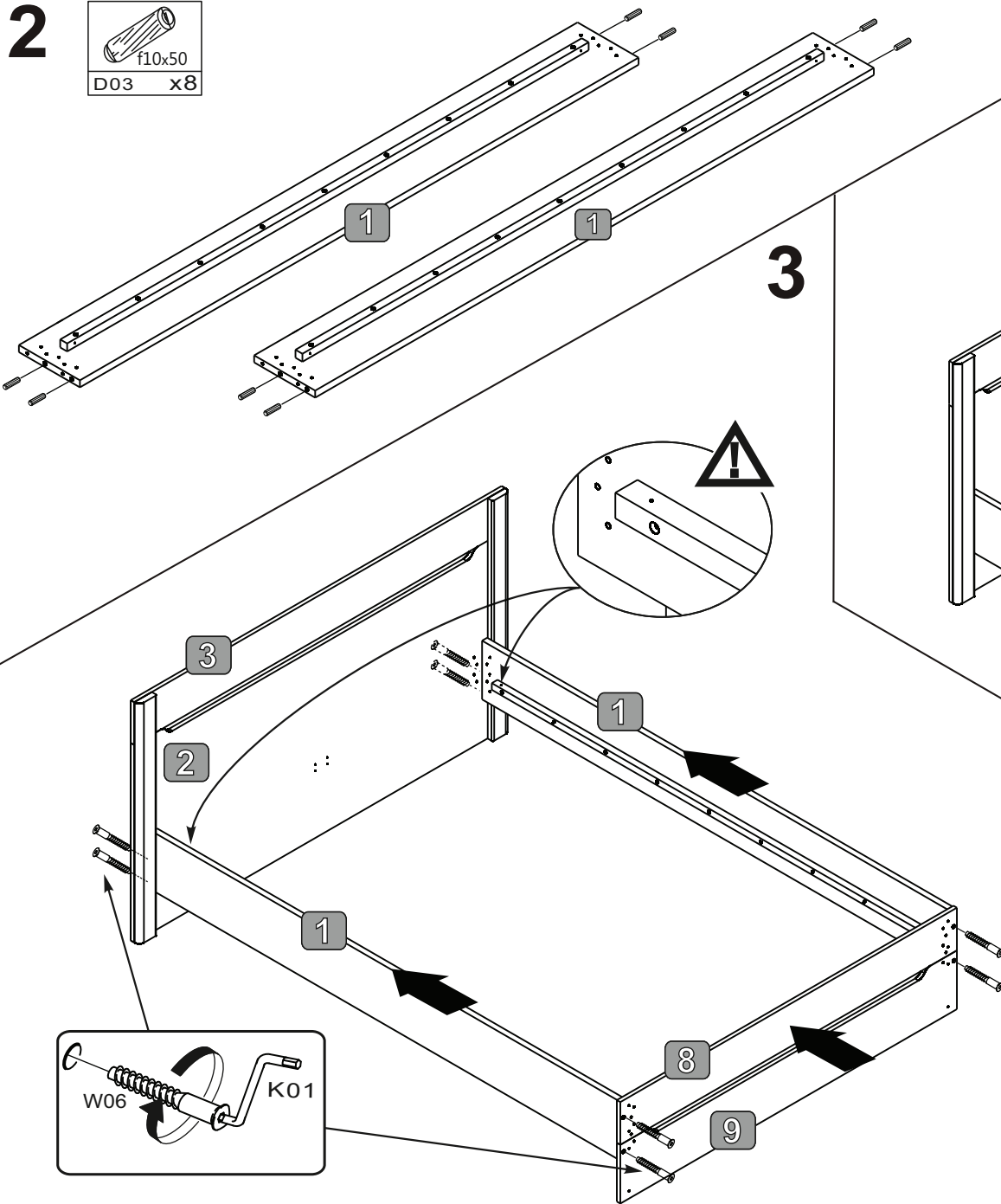
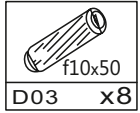
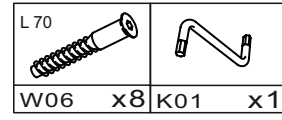
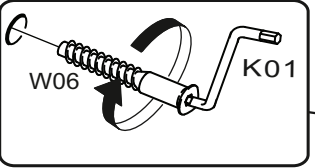
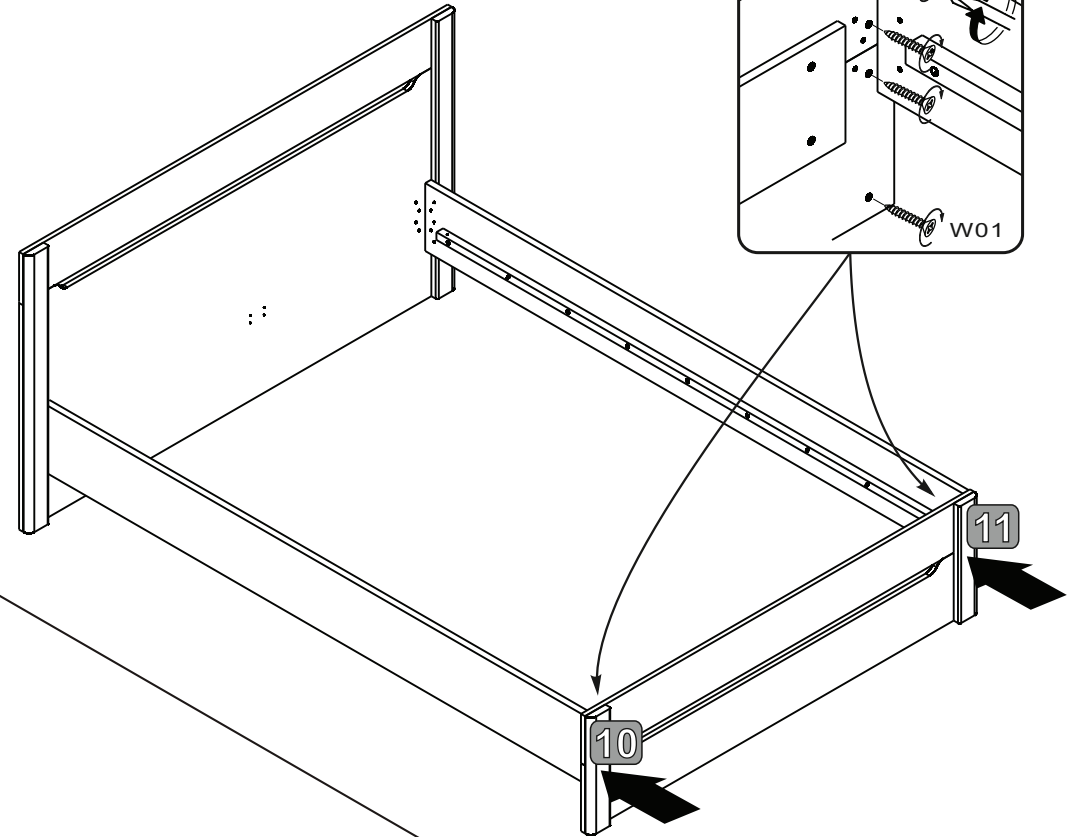
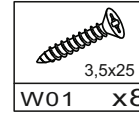


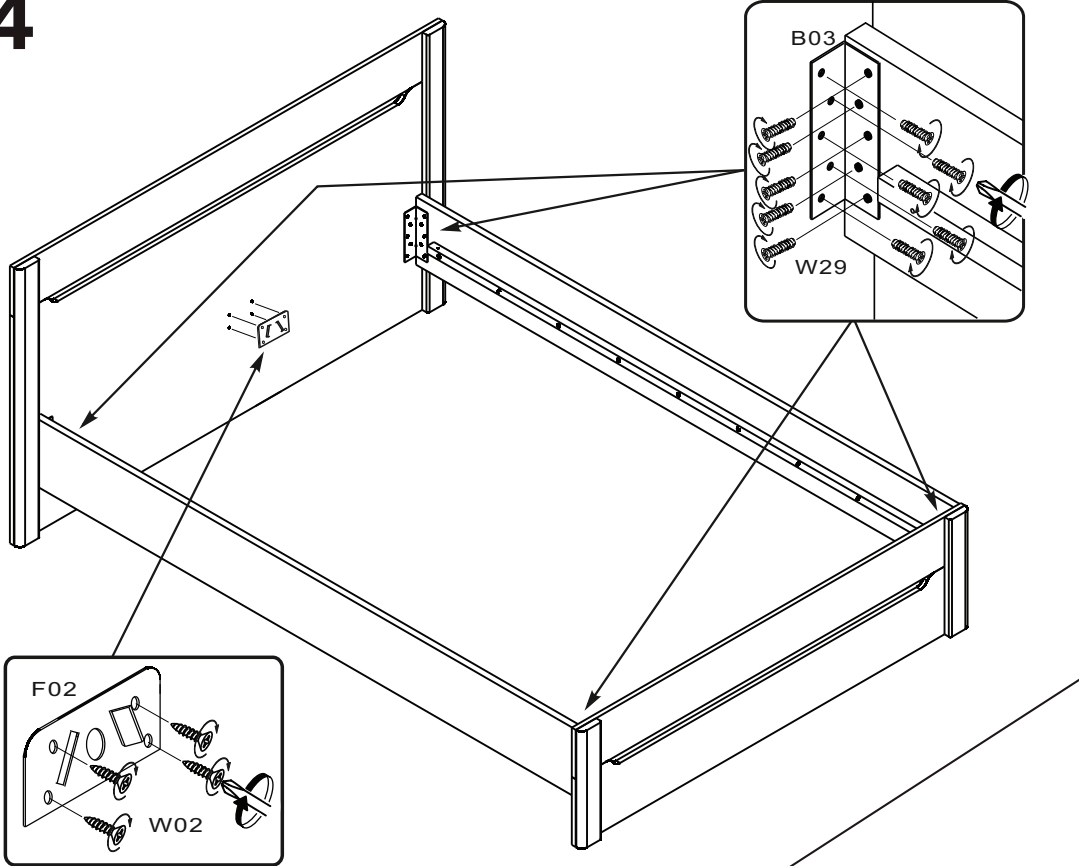
2



4



4



B03	W29	F02	W02
x4	x40	x1	x4

5

