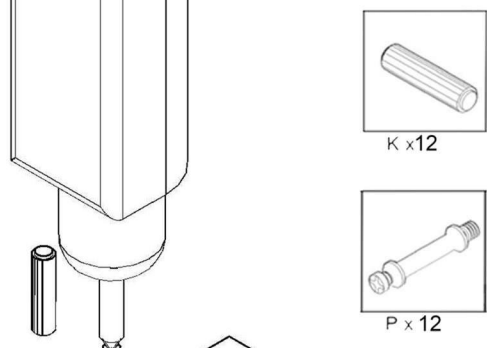
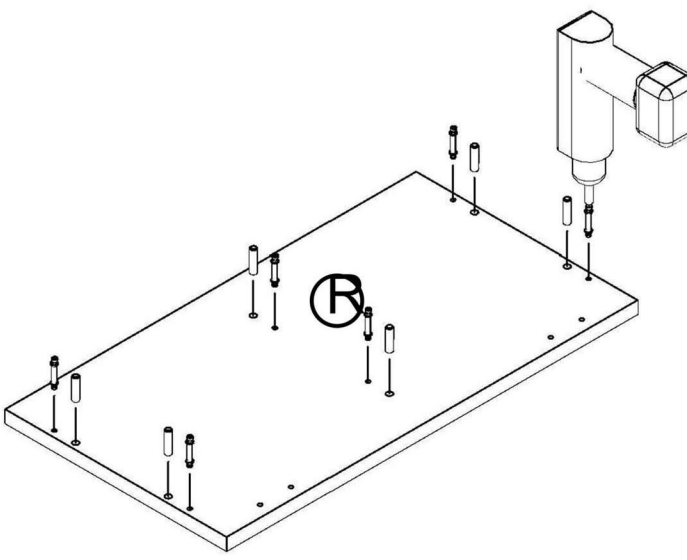


B2 x 2

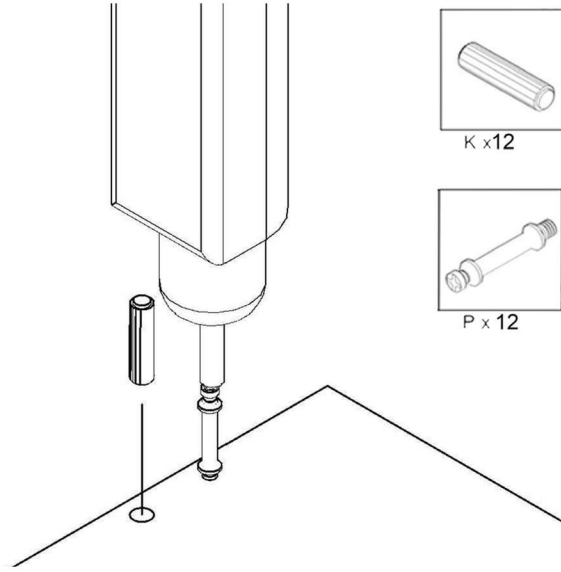
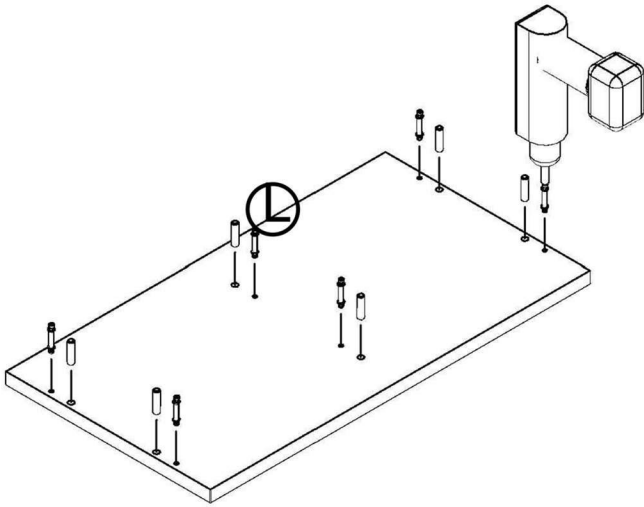
PO x 1

M x 2

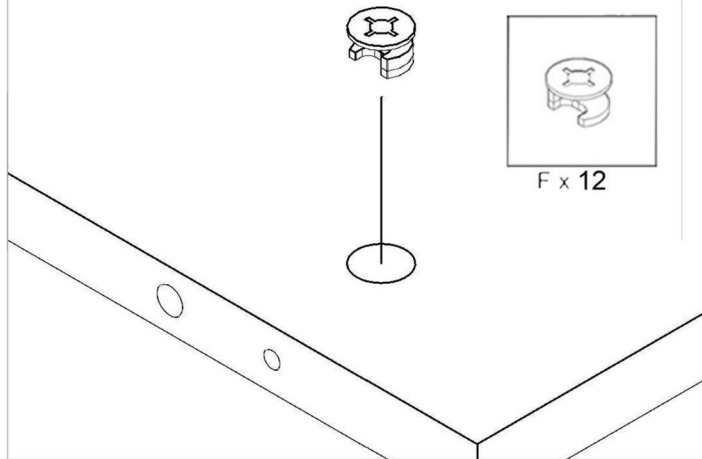
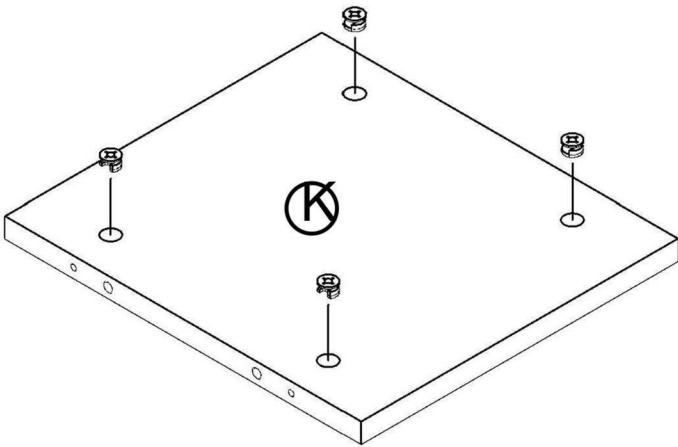
1



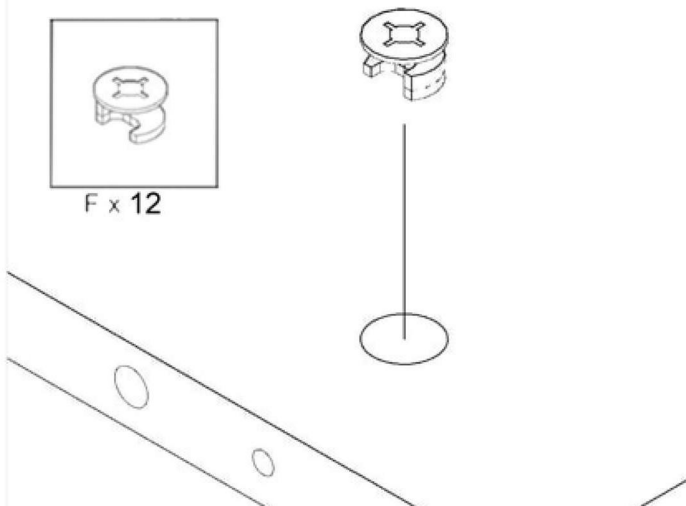
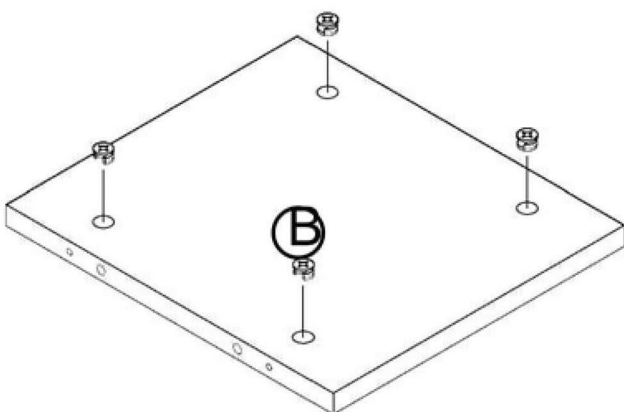
2



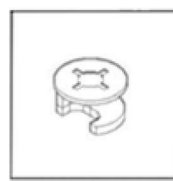
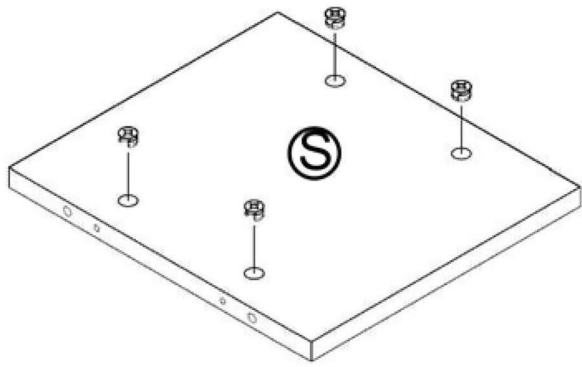
3



4



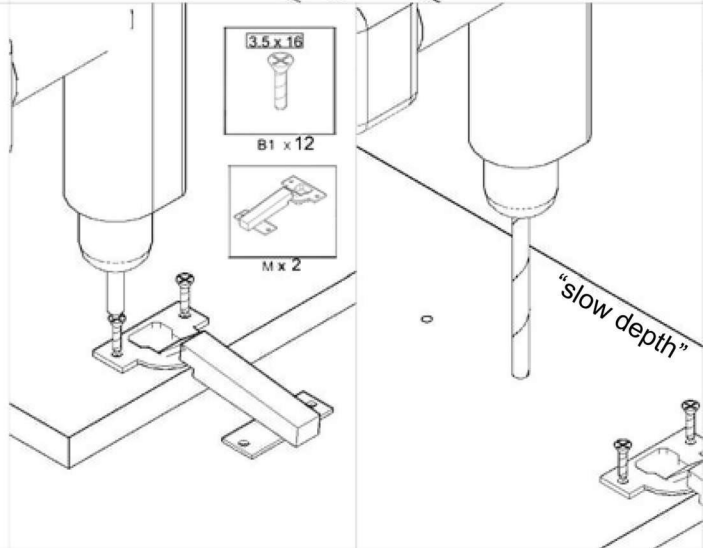
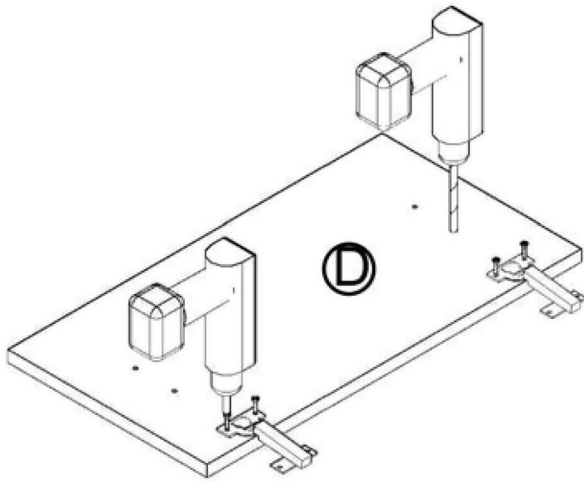
5



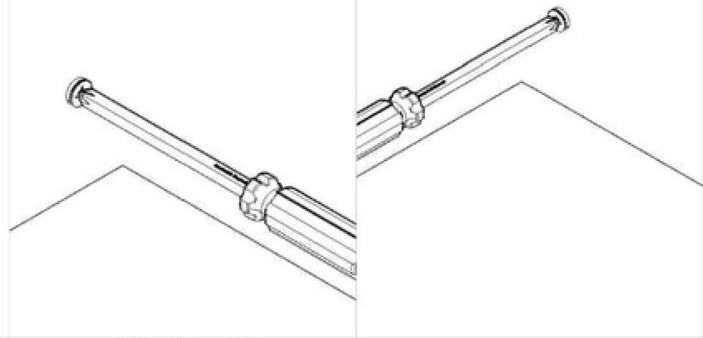
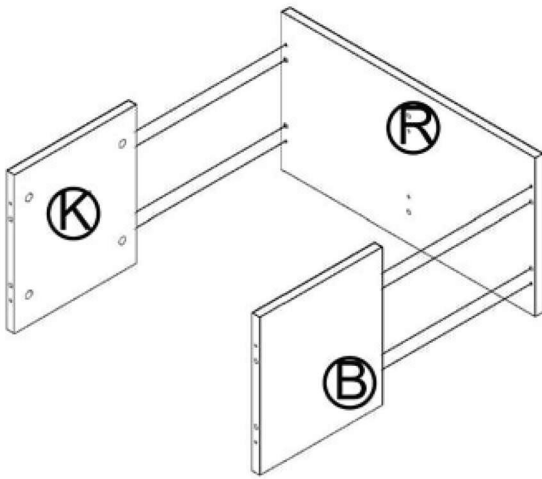
F x 12



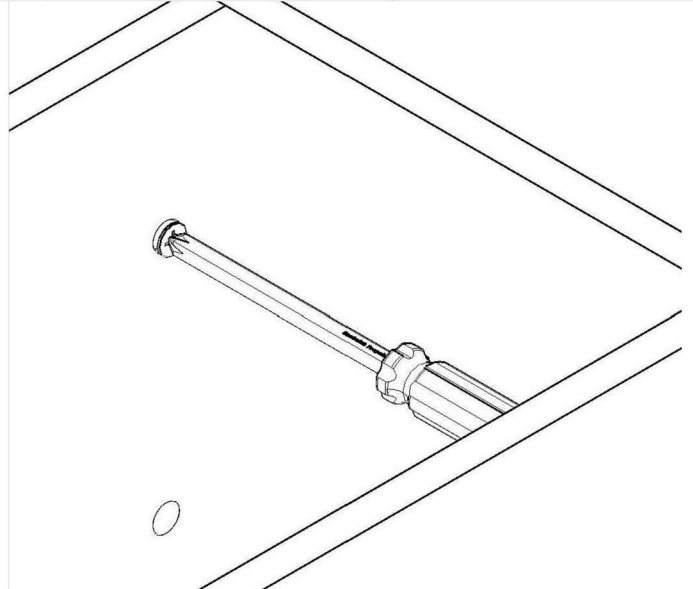
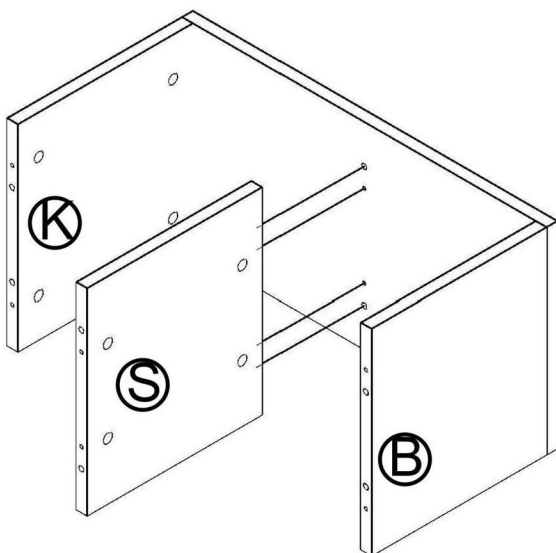
6



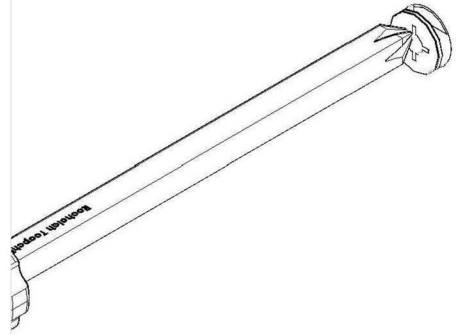
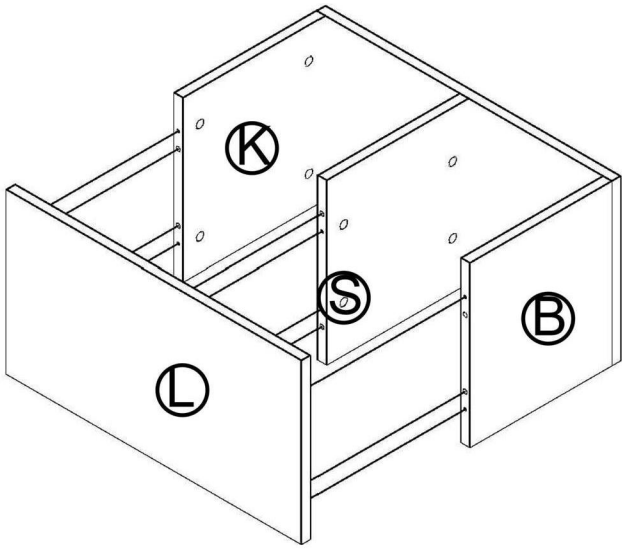
7



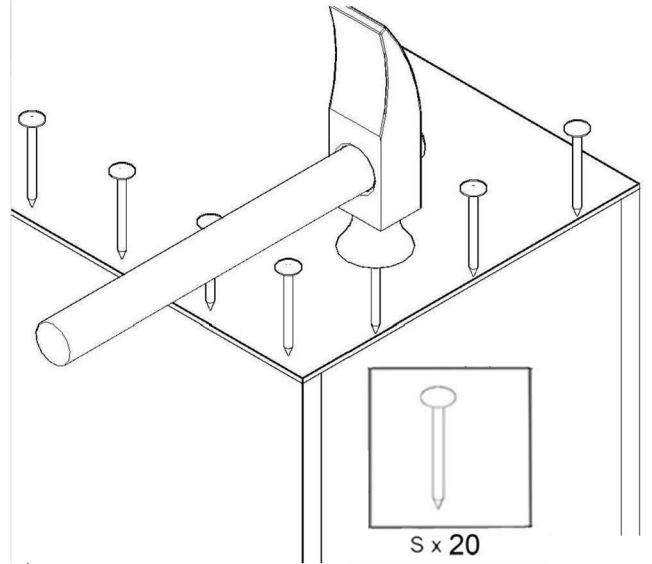
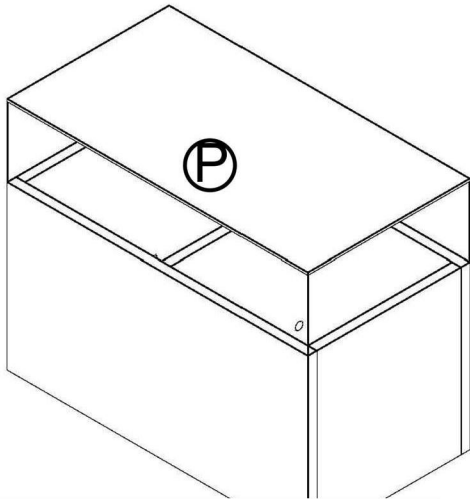
8



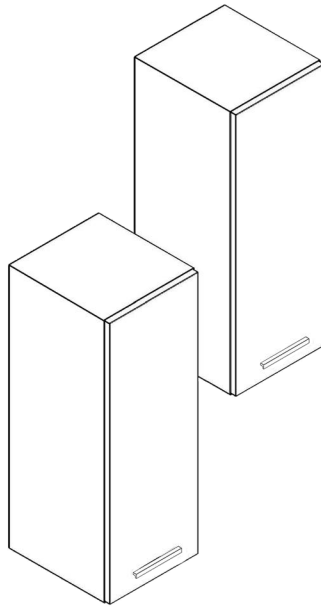
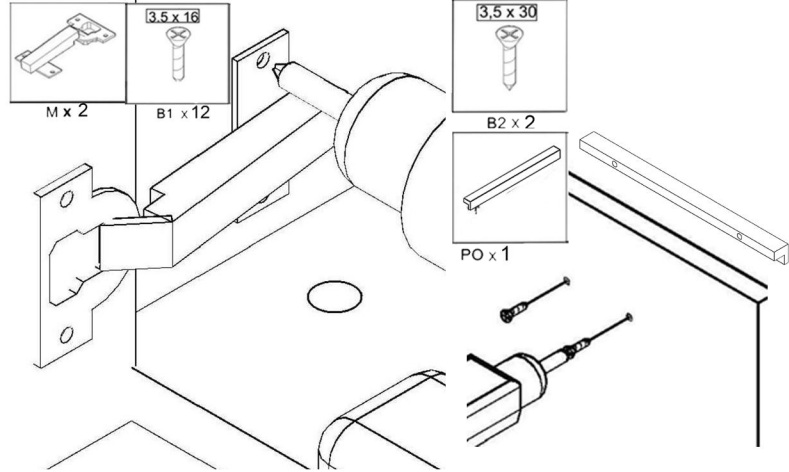
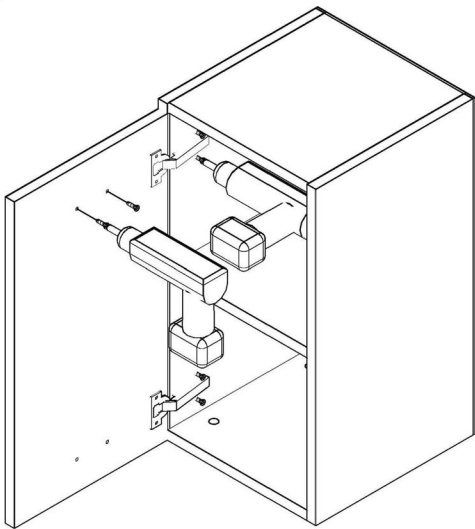
9



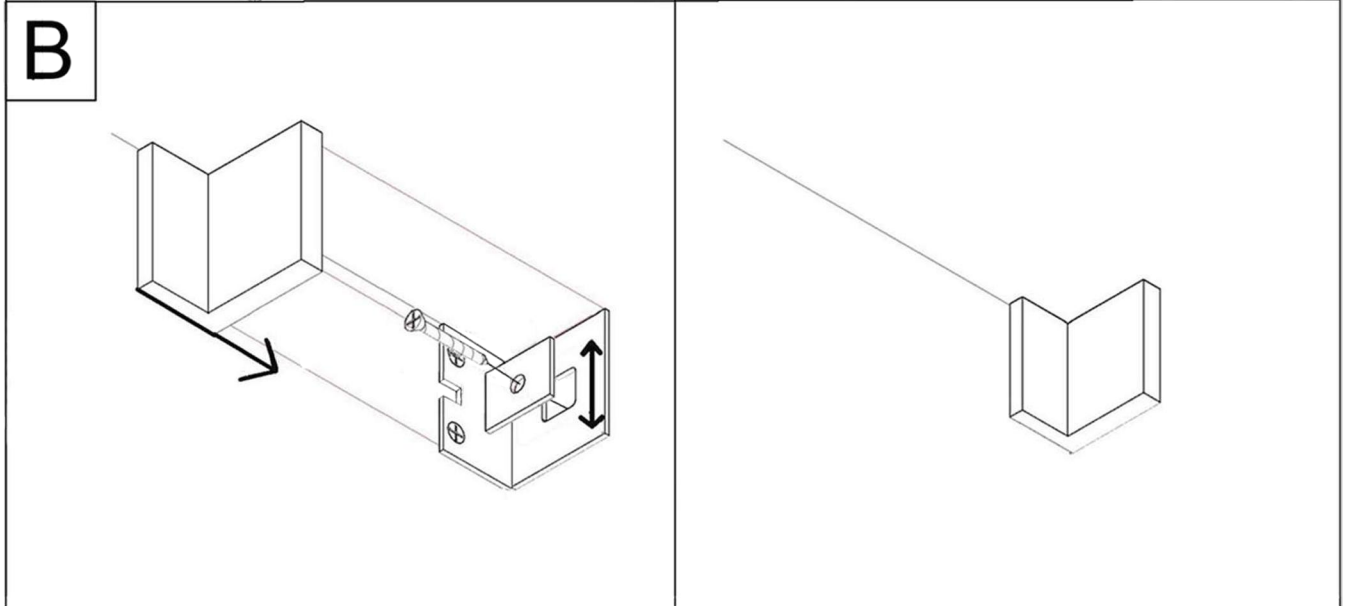
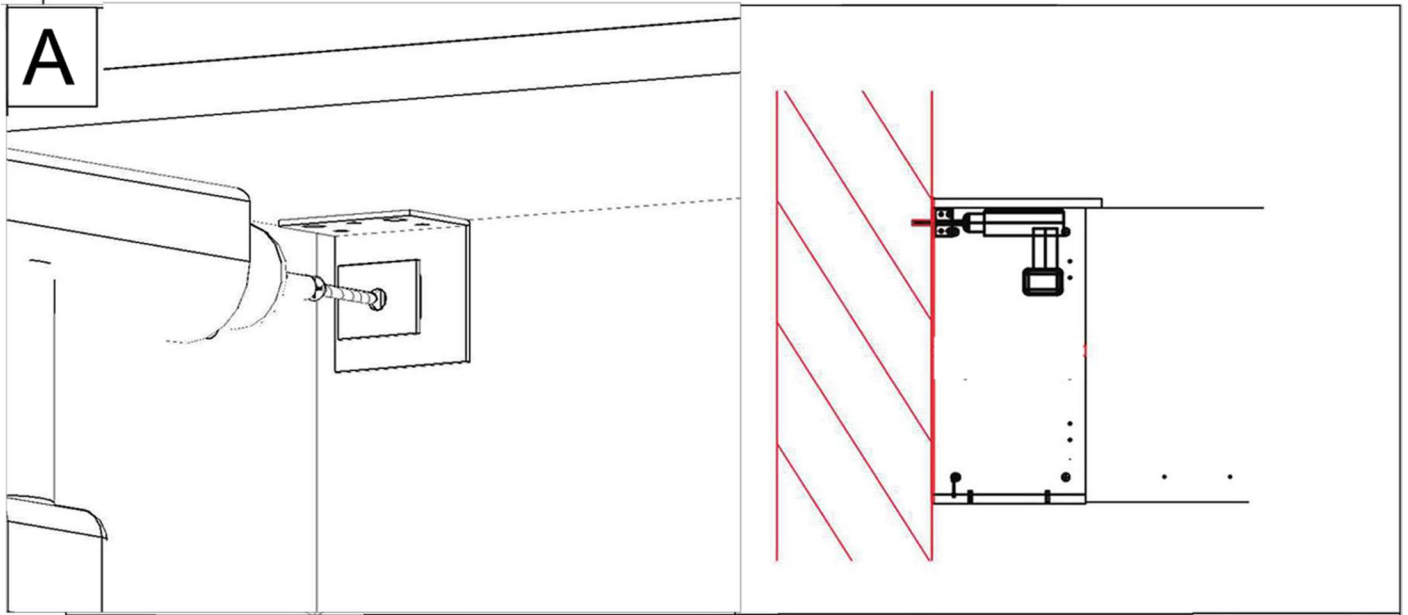
10



11



INSTALLATION HUNGING UNIT



PLASTIC COVER CAPS FOR SCREWS

