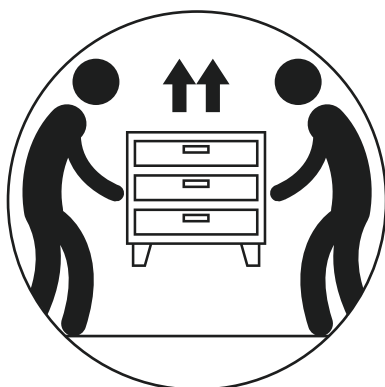
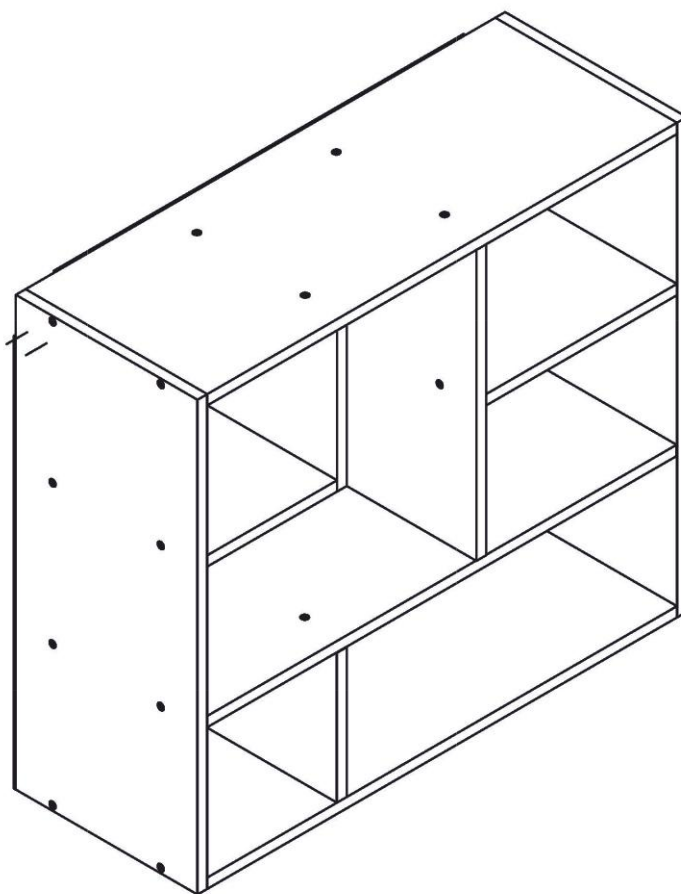
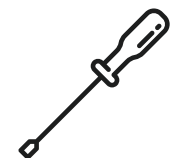
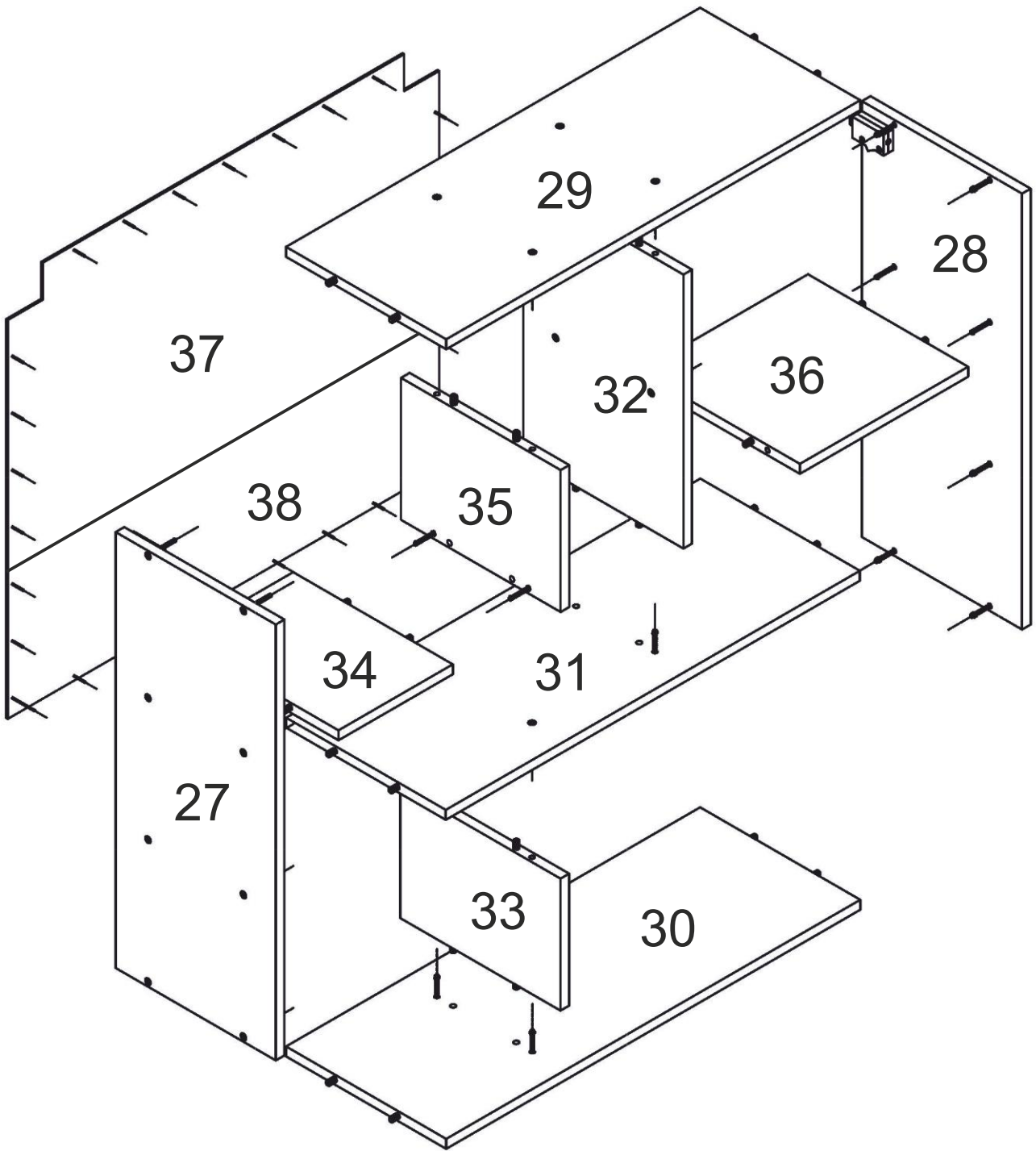
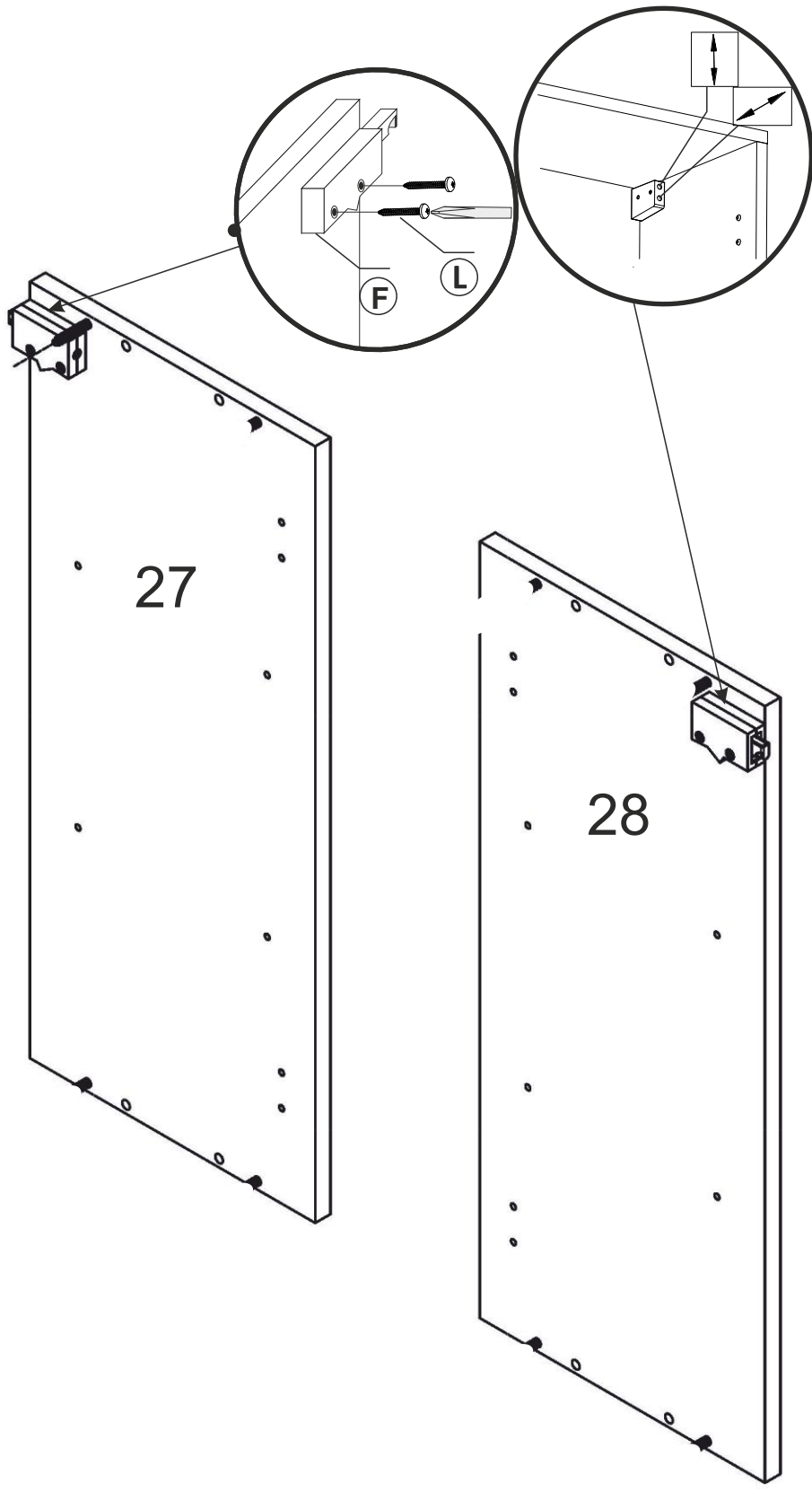


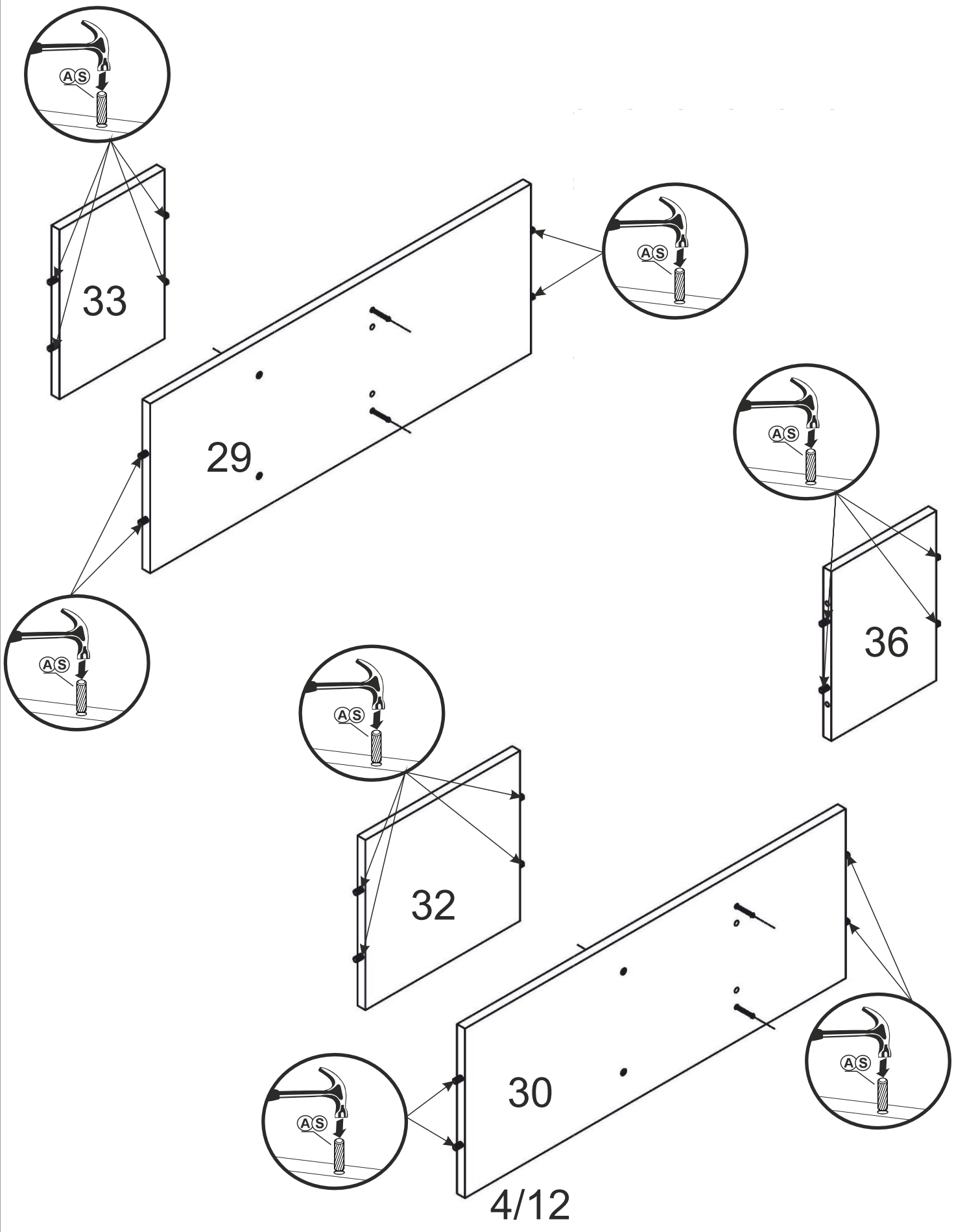


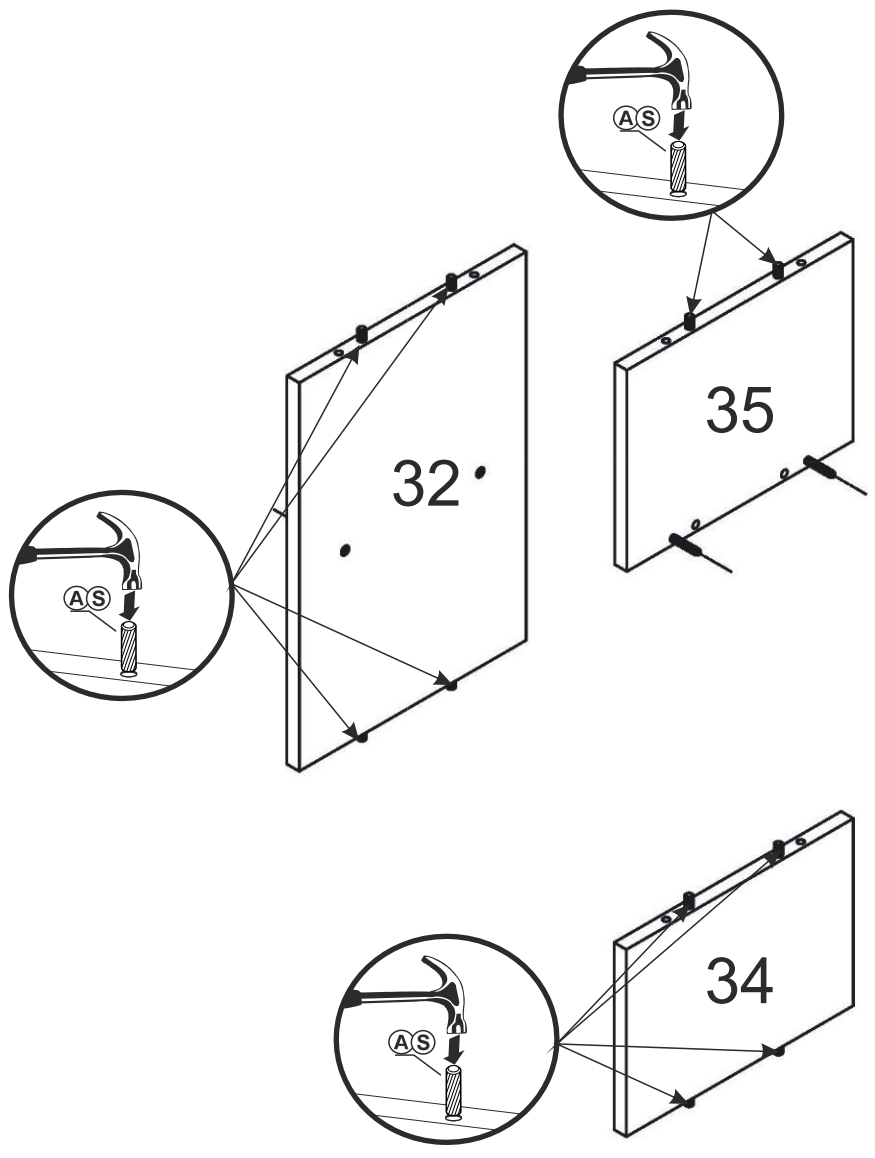
# G-80

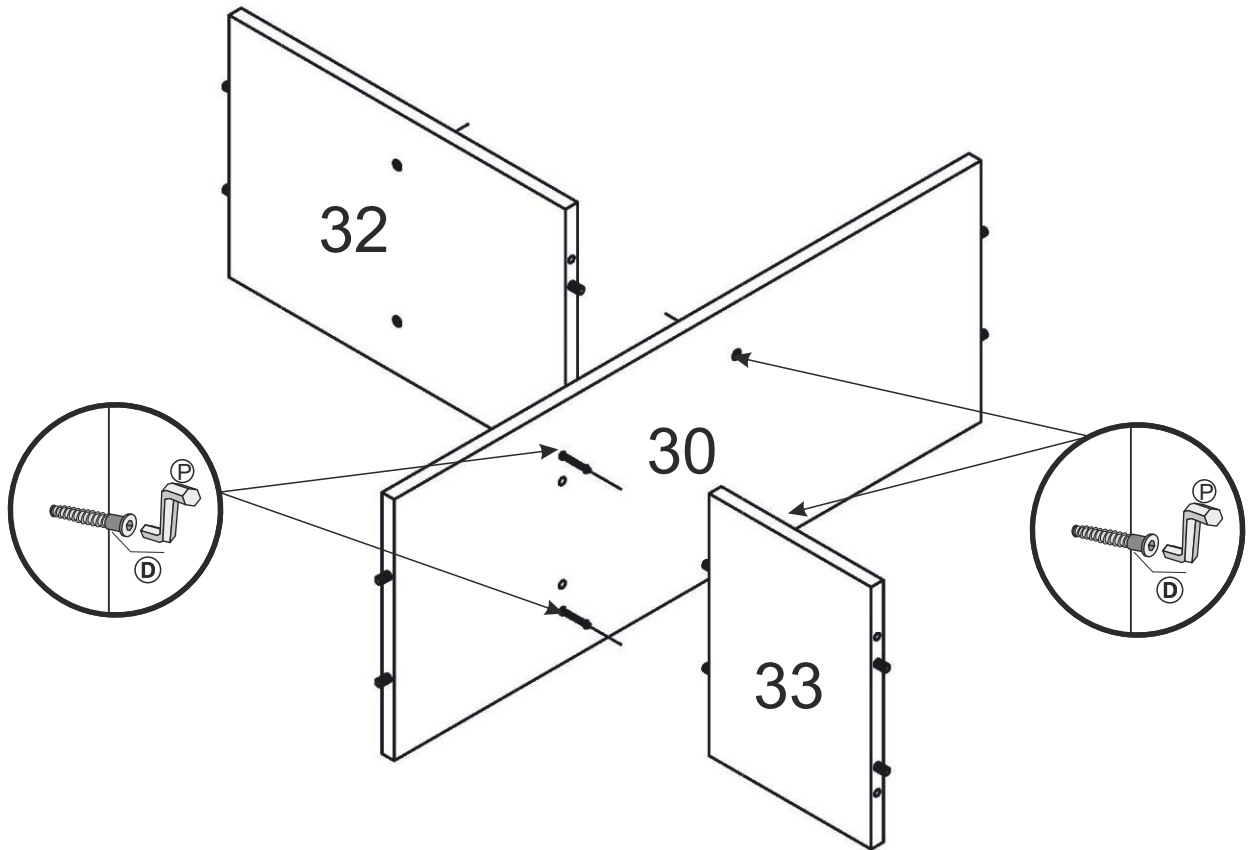
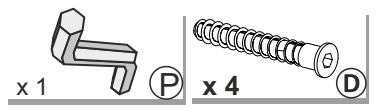


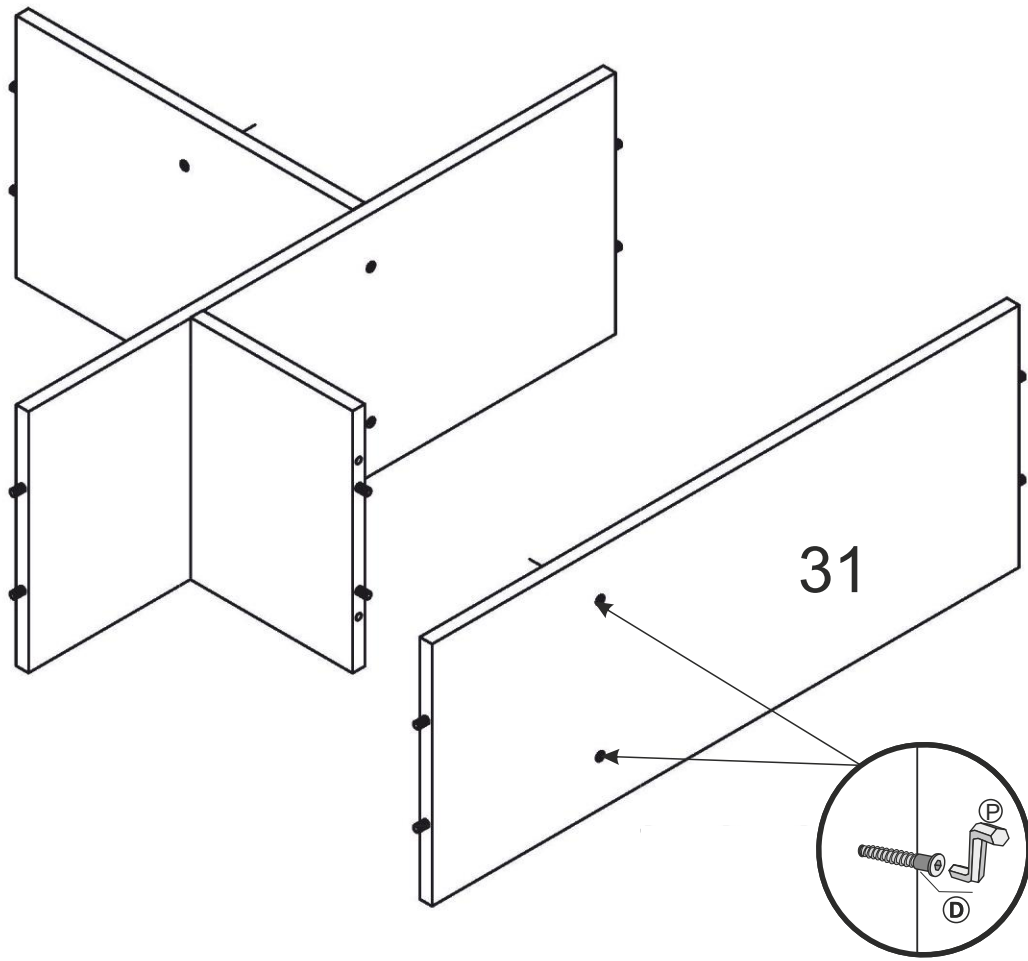
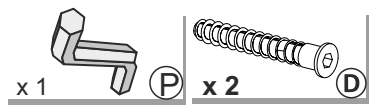


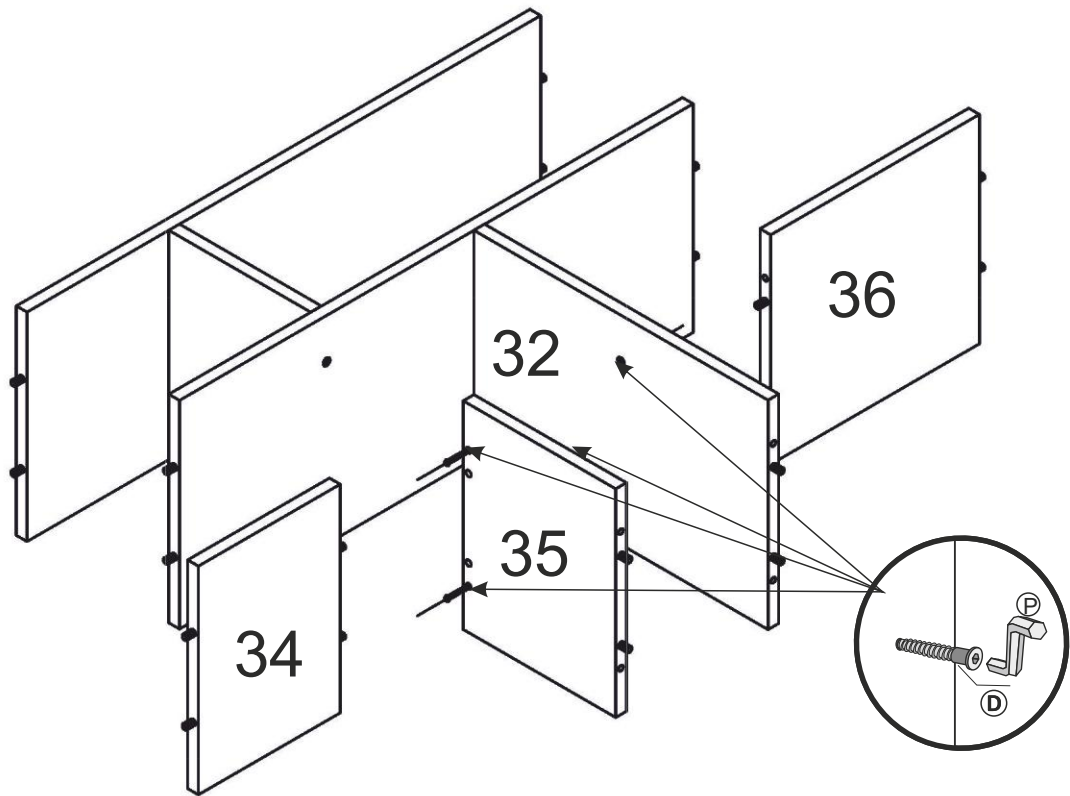
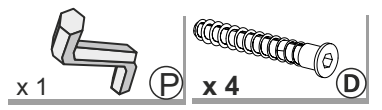




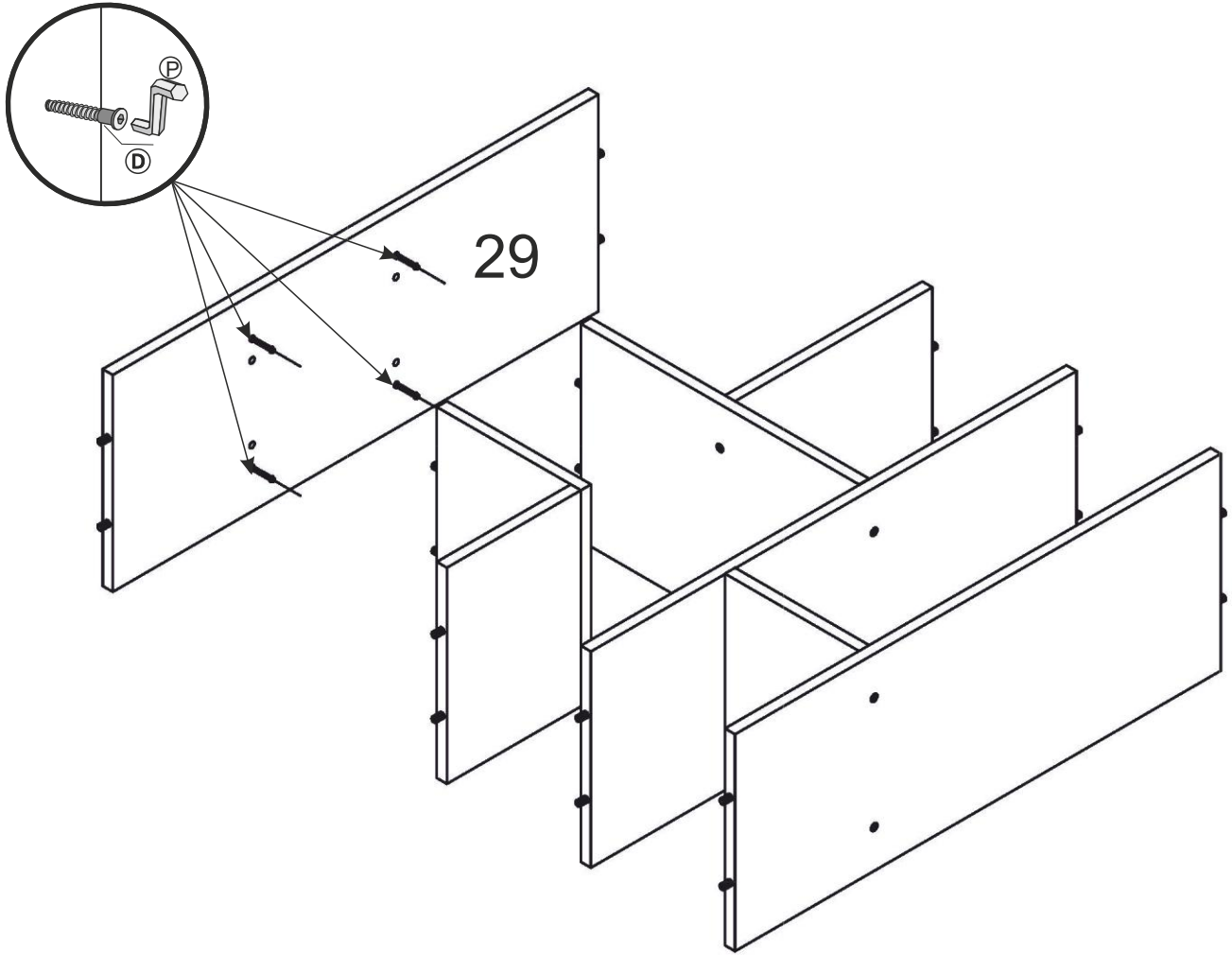
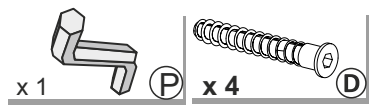


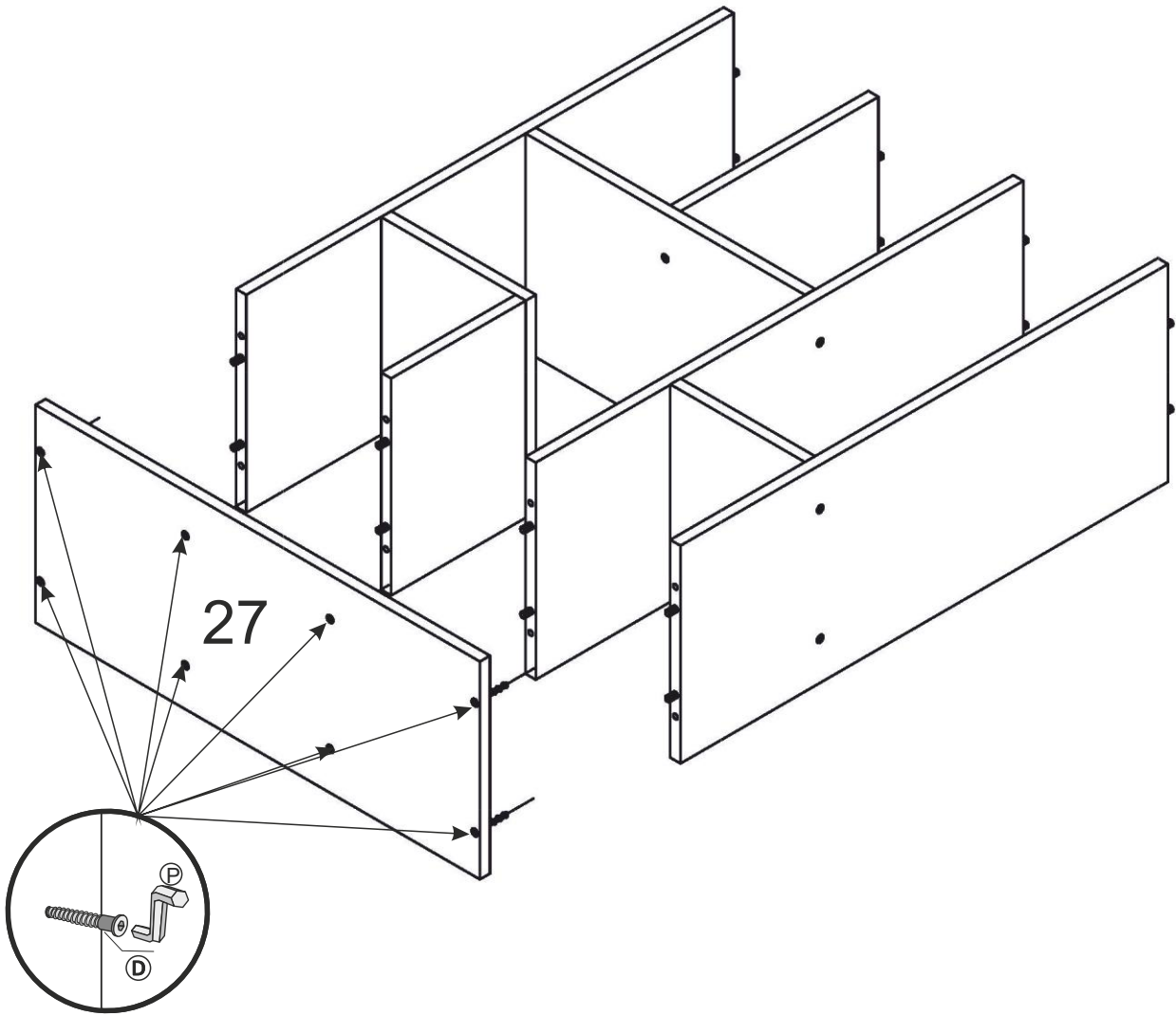
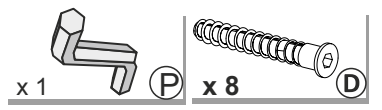


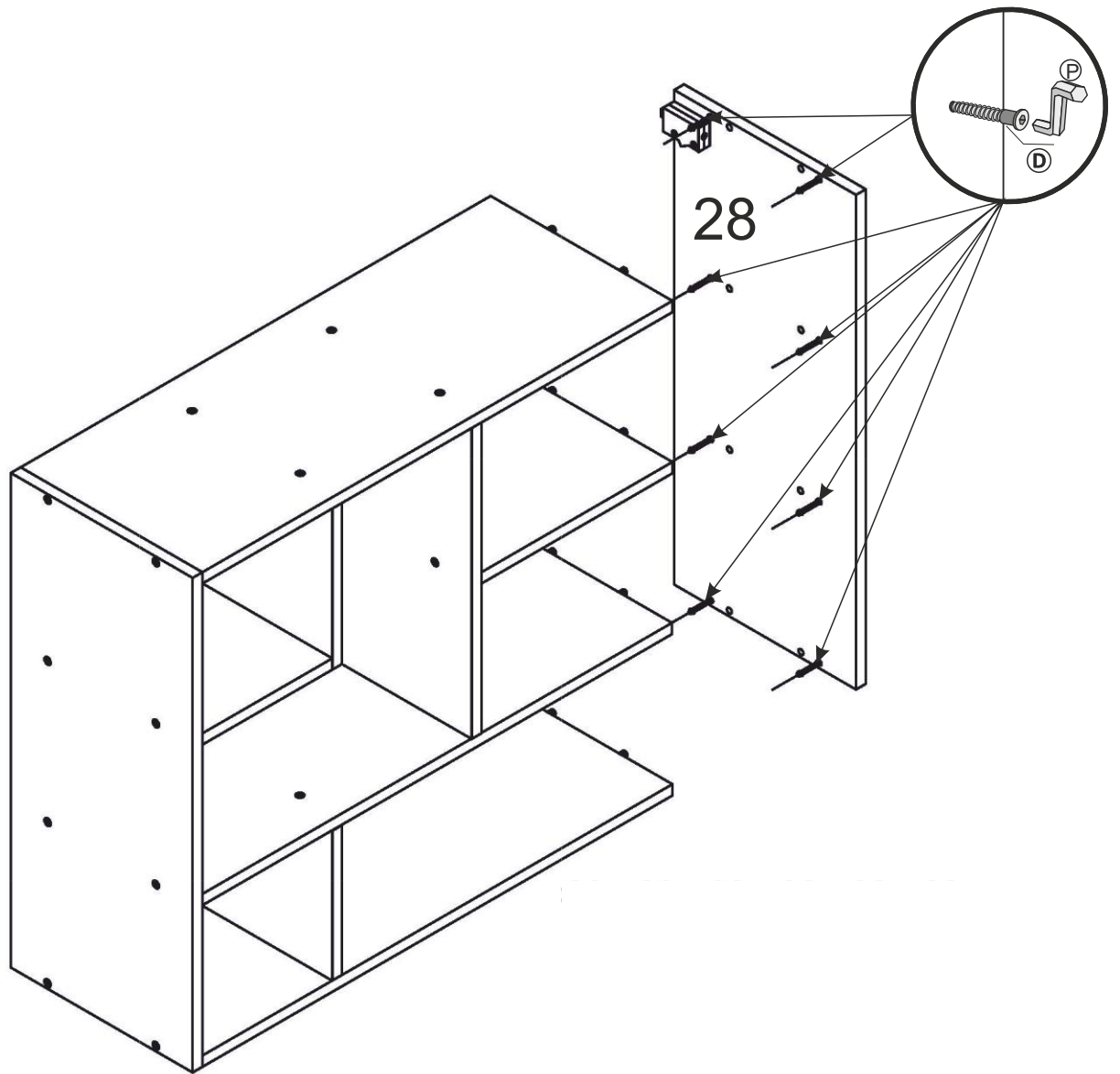
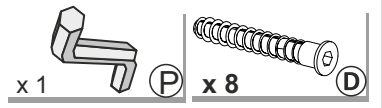


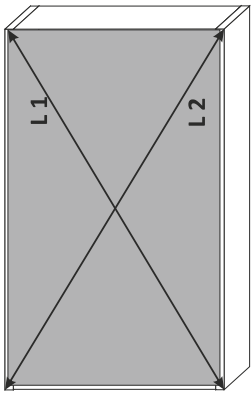












L1 = L2

