



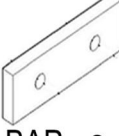
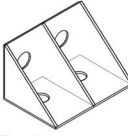

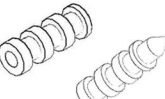
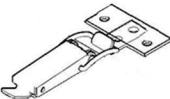
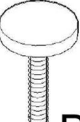



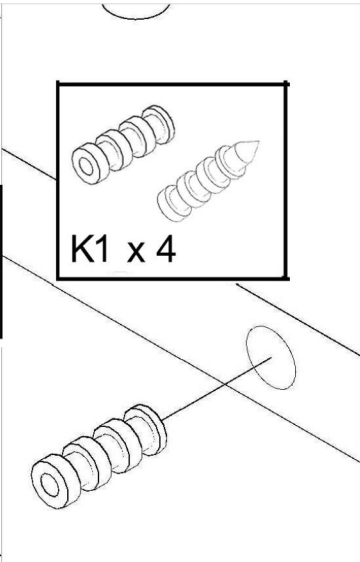
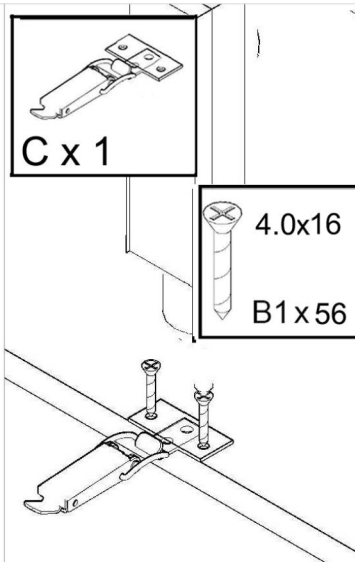
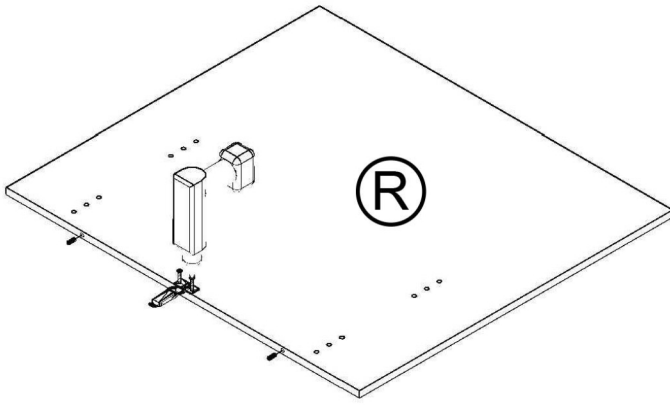
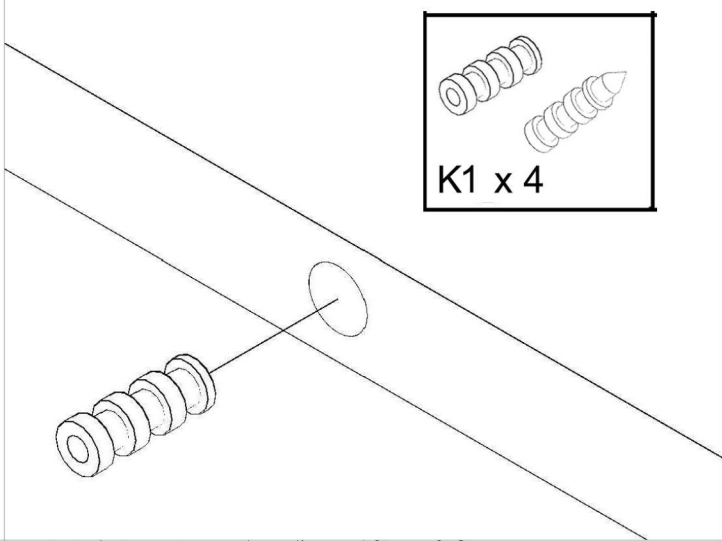
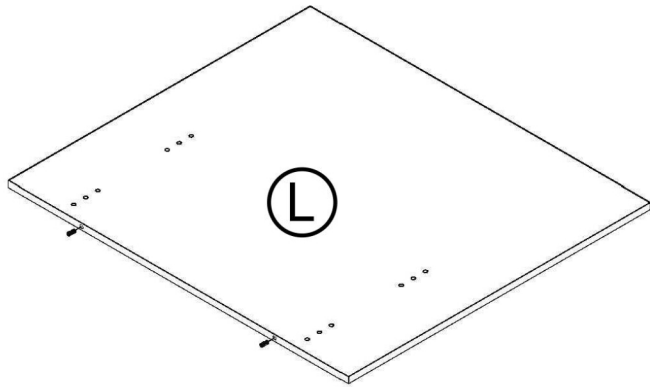
 P x 8	 K x 12	 F x 8	 M2 x 16	 3.5*16 B3x32	 BAP x 8	 G x 8
 B1 x 56	 K1 x 4	 C x 1	 B2 x 16	 S x 2	 4.0*20 B x 16	 4.0*25 B2 x 16

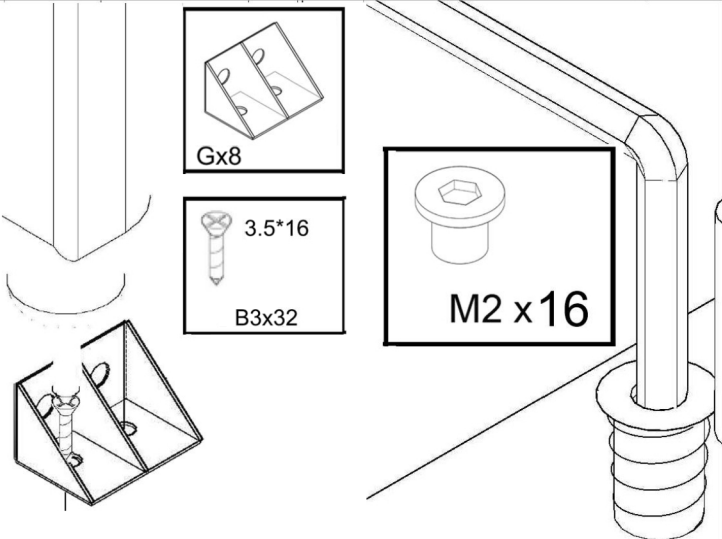
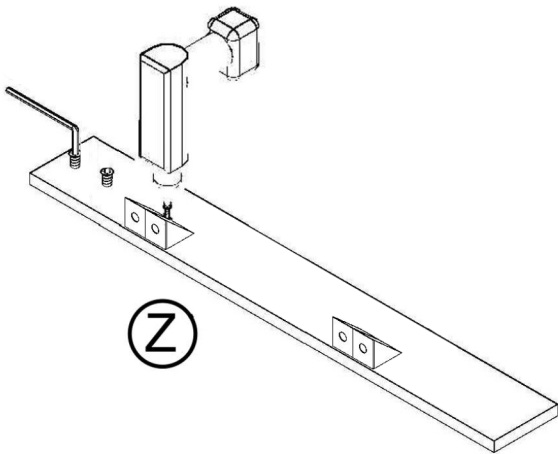
1



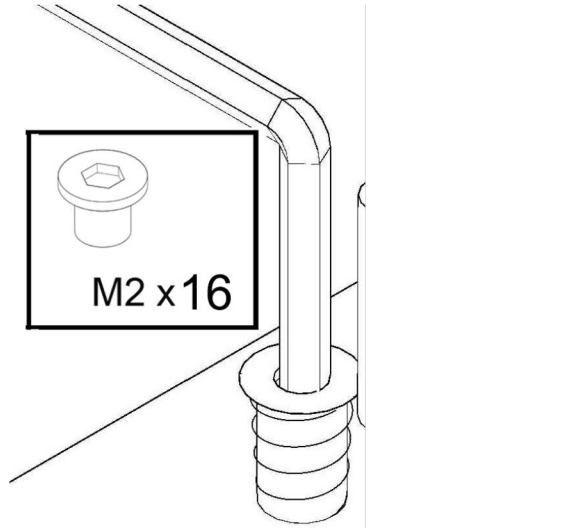
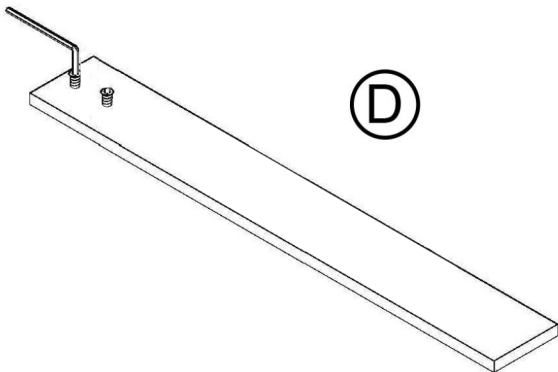
2



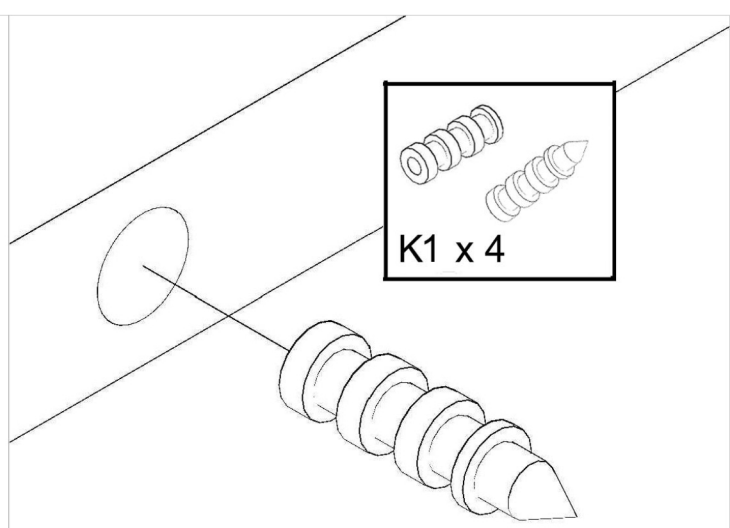
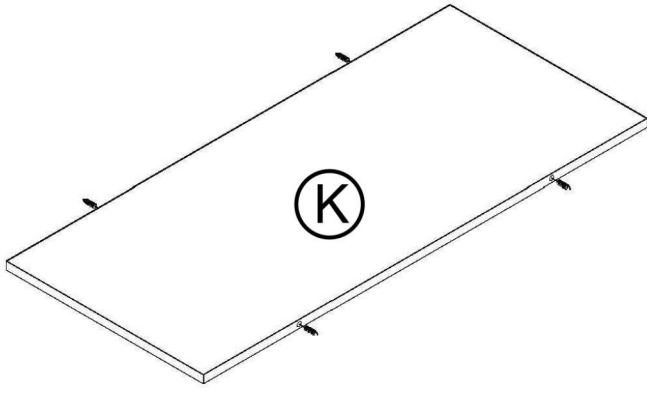
3



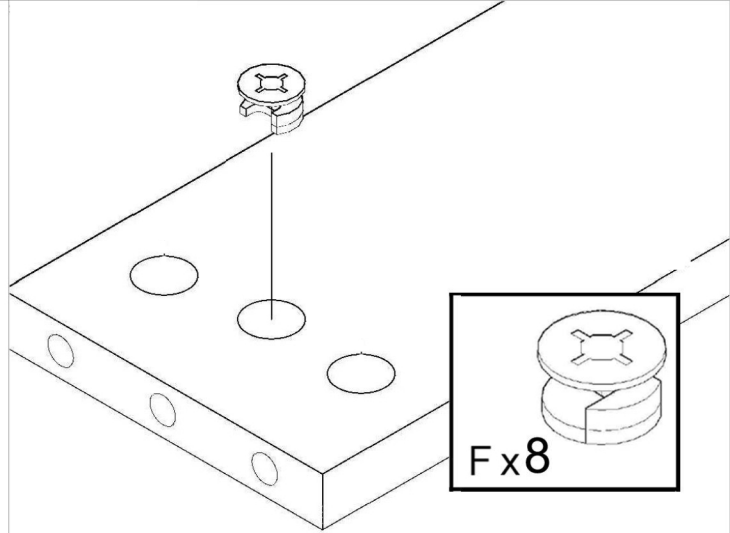
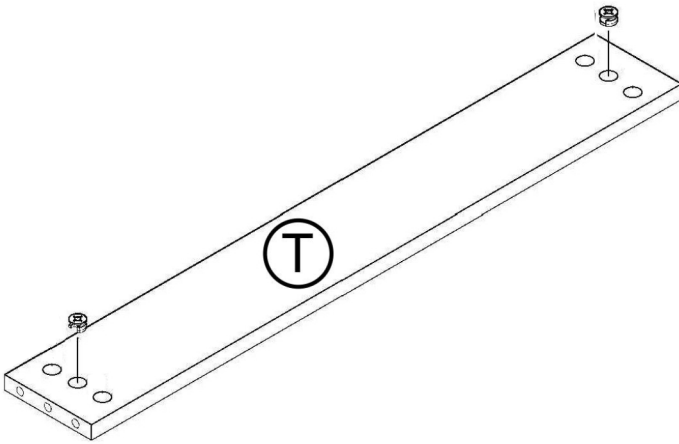
4



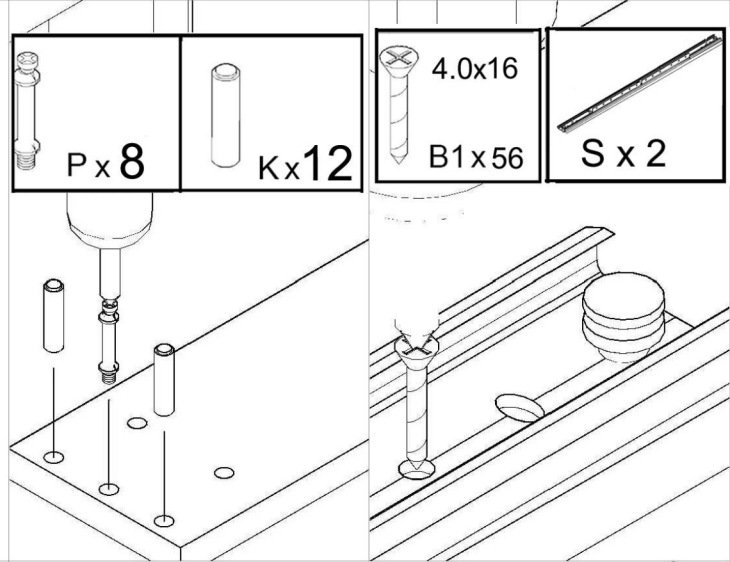
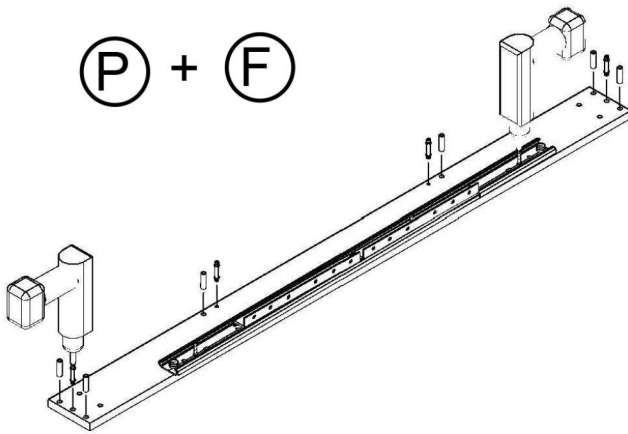
5



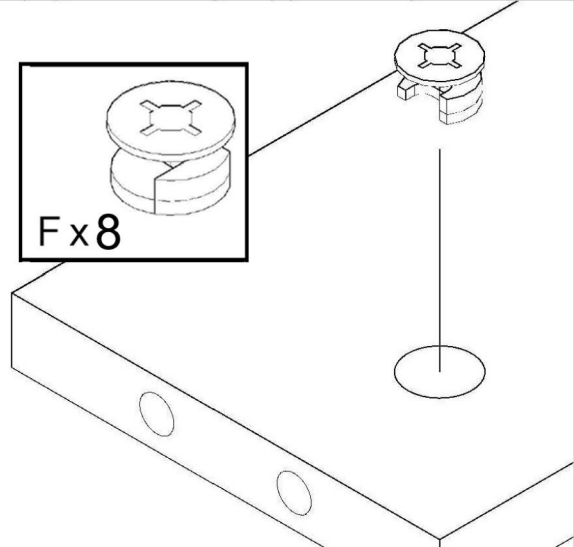
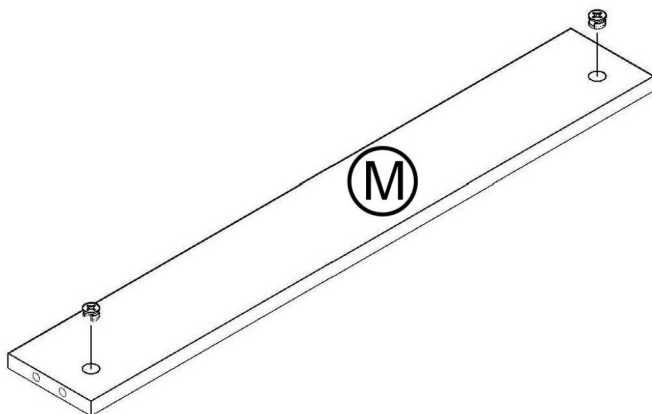
6



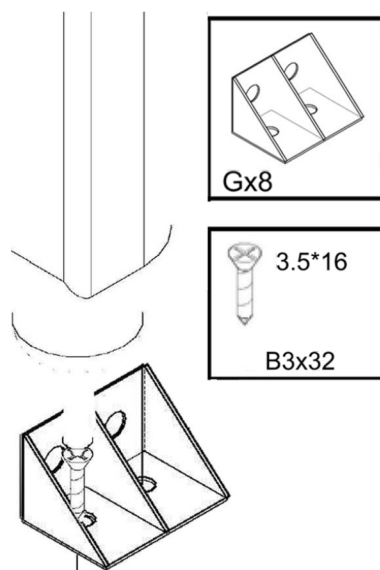
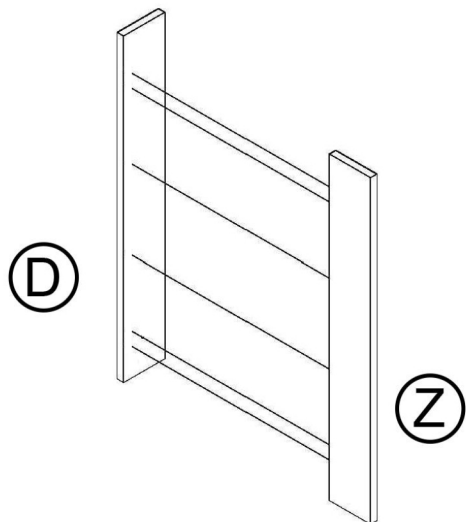
7



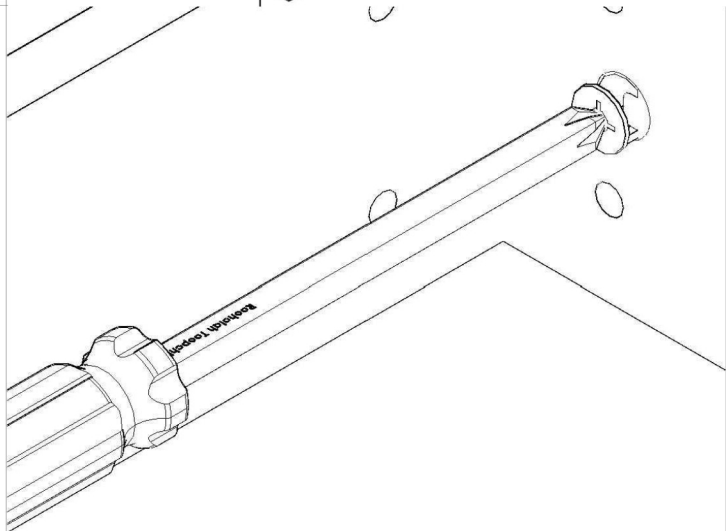
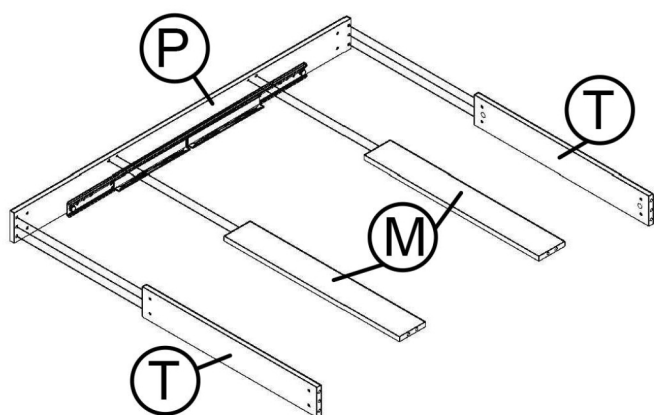
8



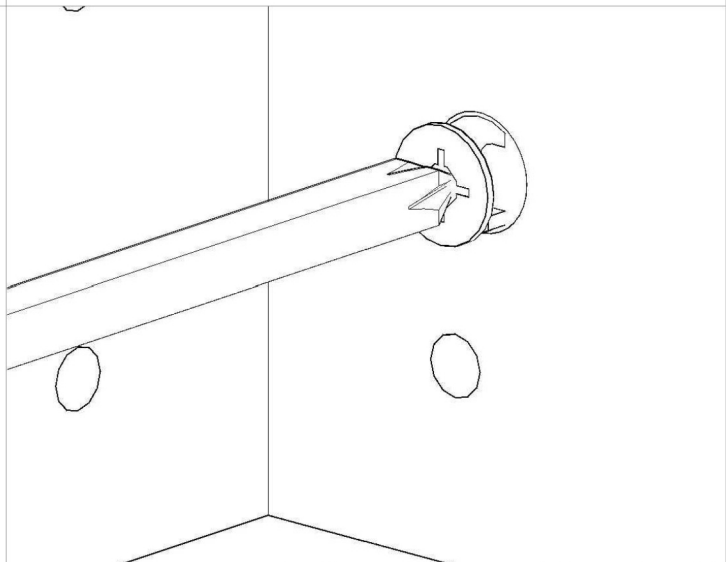
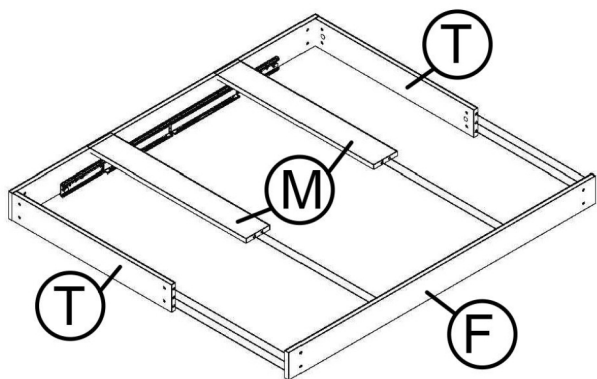
9



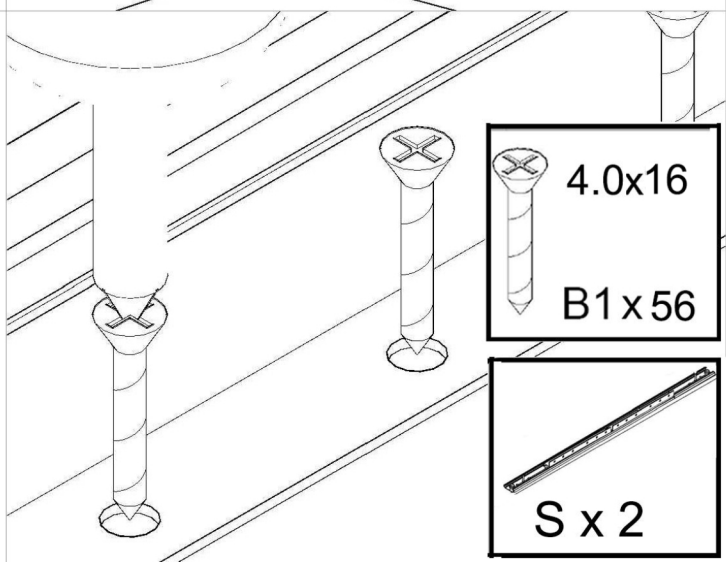
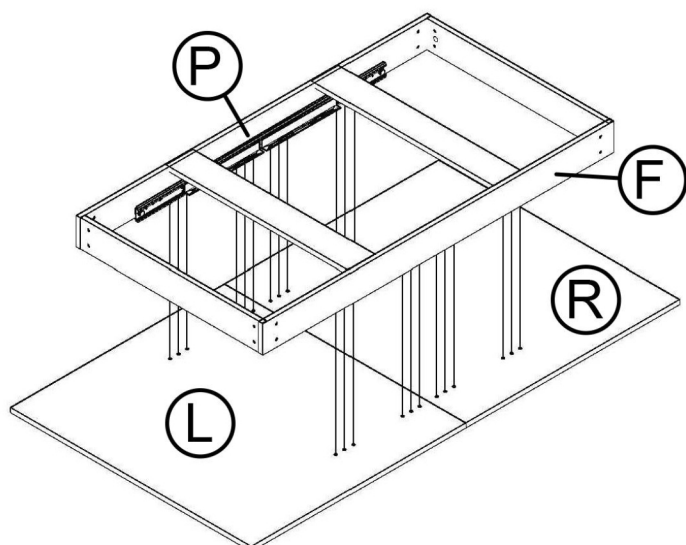
10



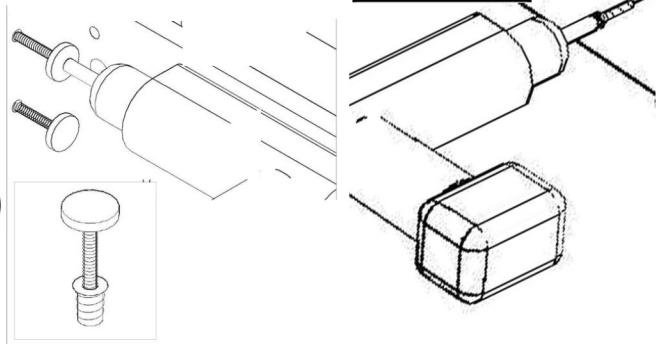
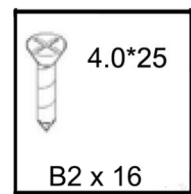
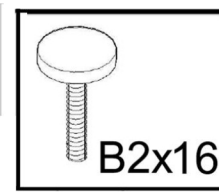
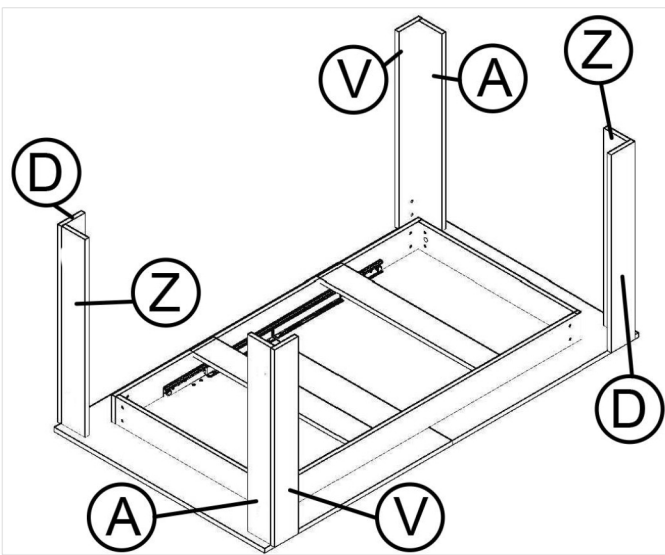
11



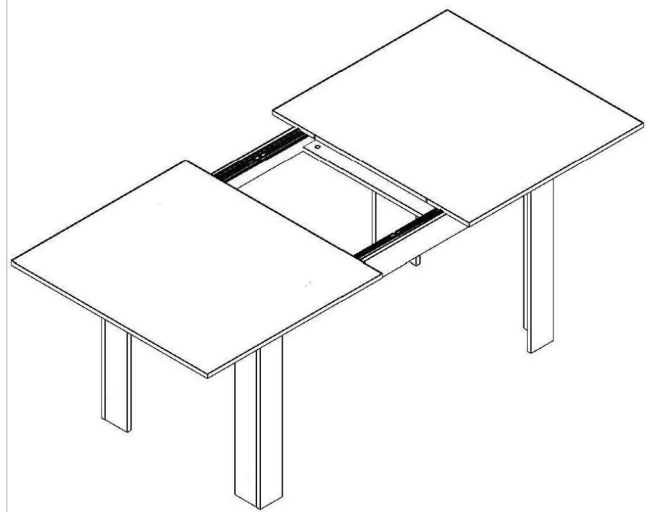
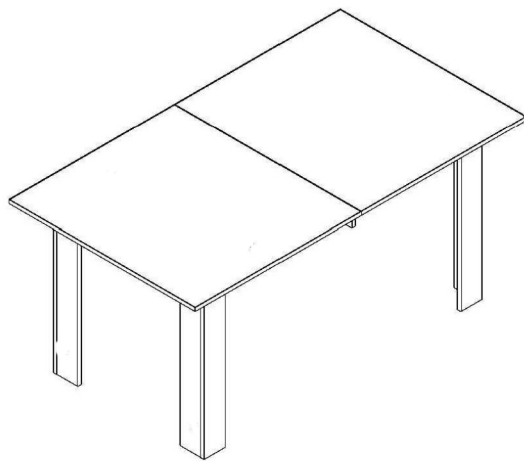
12



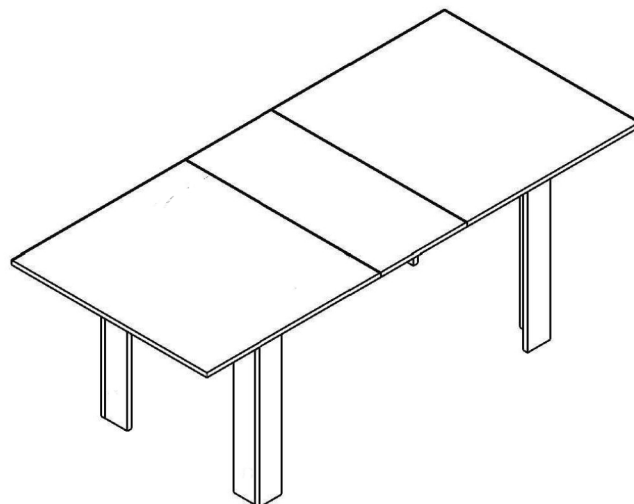
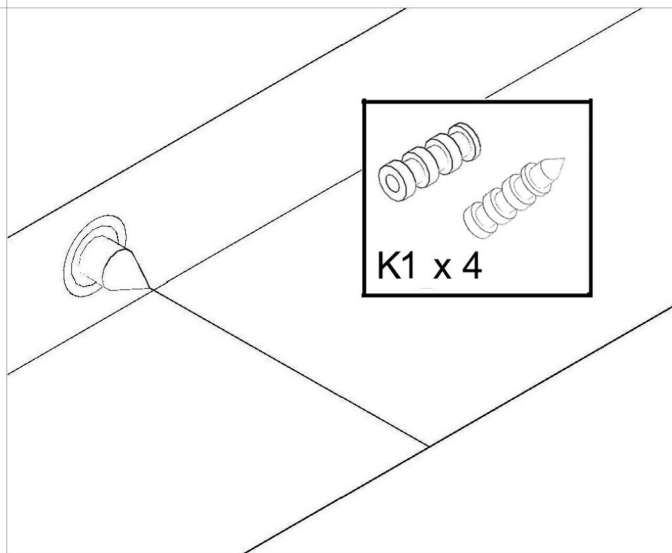
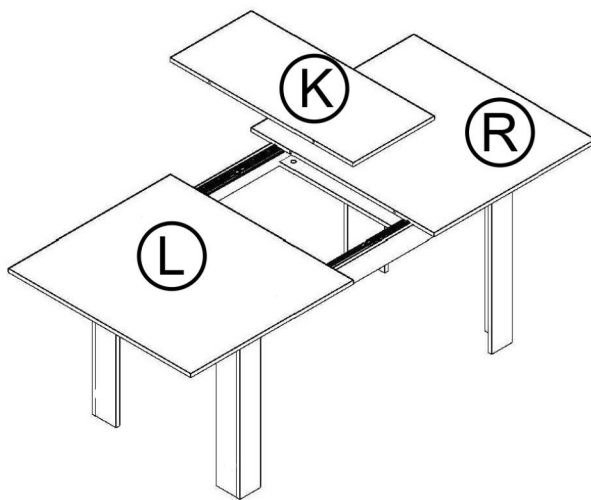
13

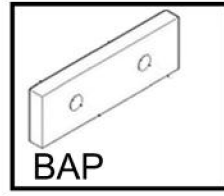
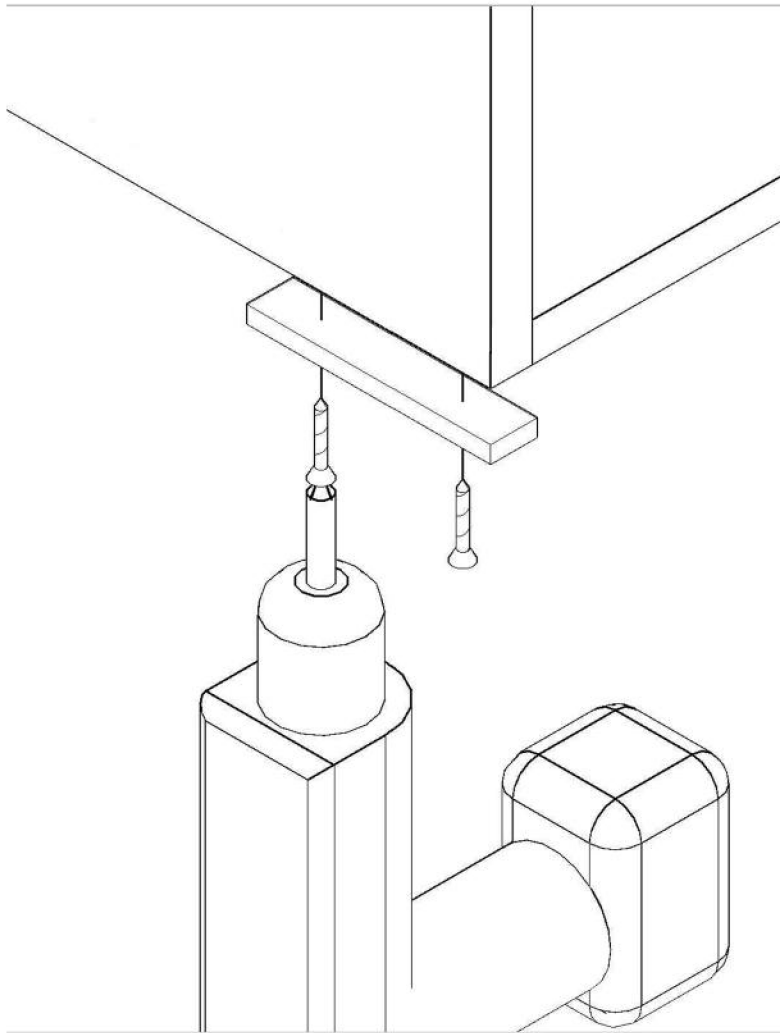


14

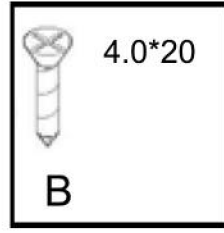


15





BAP



4.0*20

B

