


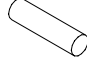


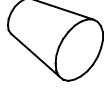

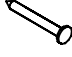


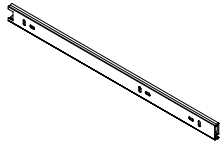
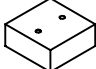

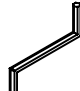
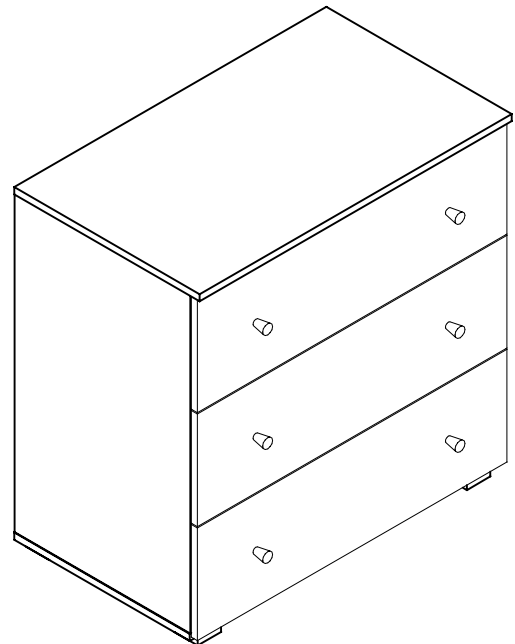
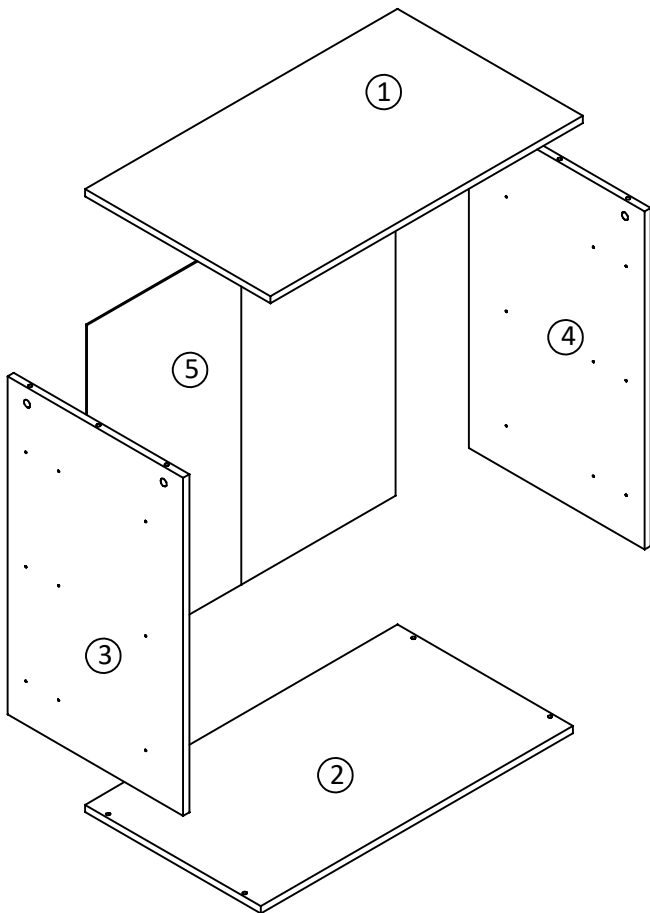
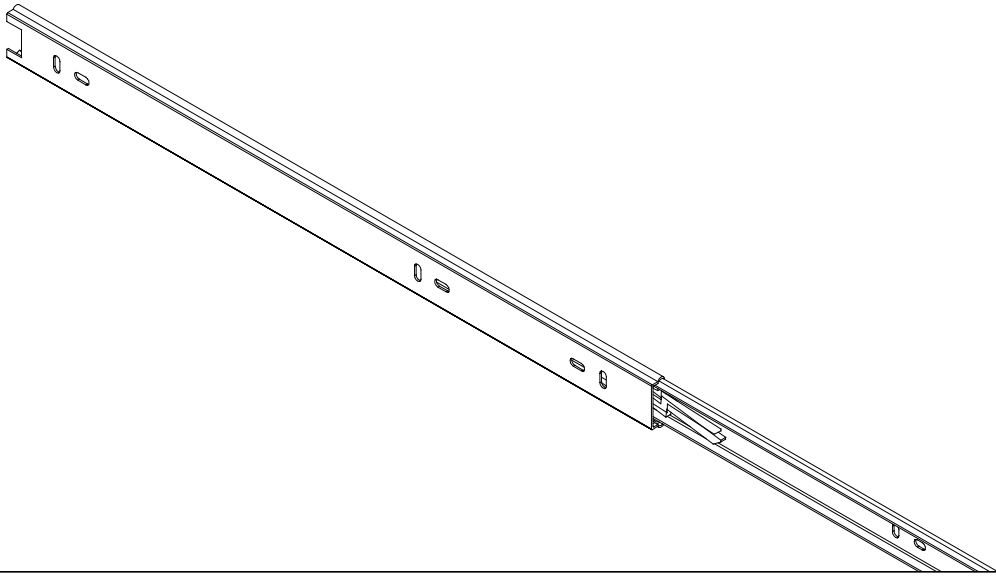
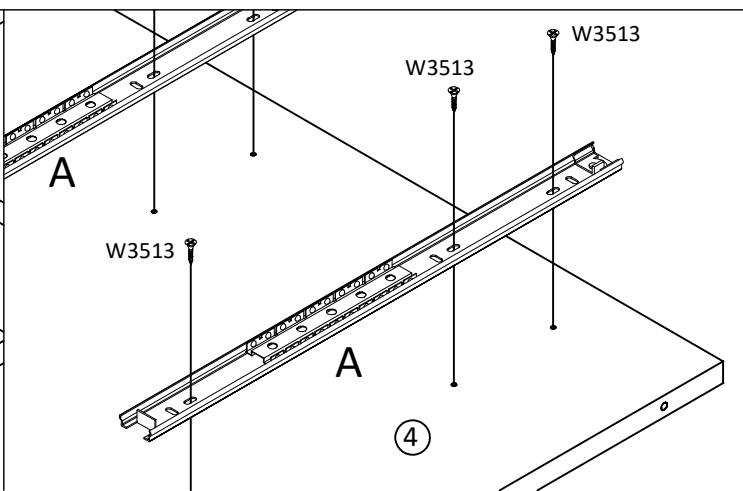
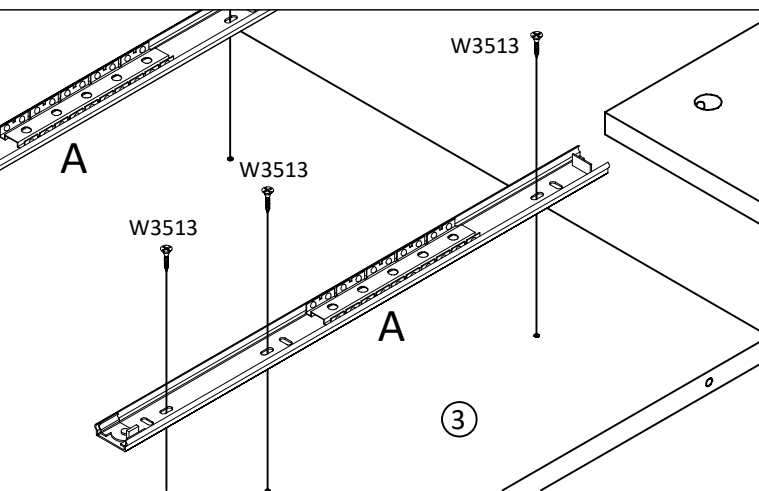
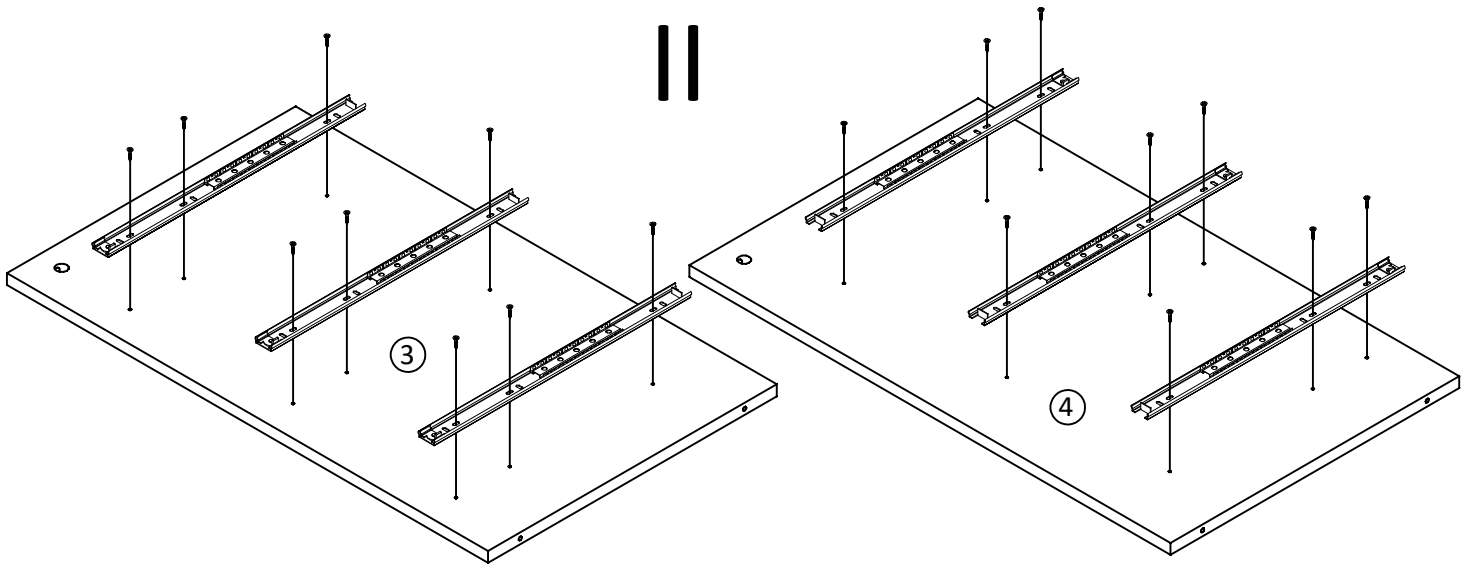
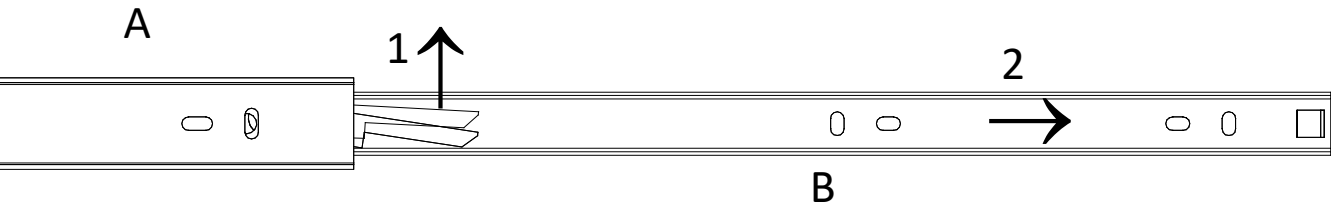


|   |  |   |   |   |  |  |
|---|--|---|---|---|--|--|
| <br>MT x16       | <br>M x16   | <br>7x50 WK5 x16 | <br>8x30 D8 x2   | <br>3.5x13 W3513 x36 | <br>3.5x16 W3516 x1 | <br>U5 x6 |
| <br>M4x25 SU5 x6 | <br>A02 x30 | <br>A06 x1       | <br>A05 x1       | <br>PK x6          |  |  |
|   |  | <br>S2 x4        | <br>3.5x30 WS x8 | <br>A01 x1           |  |  |

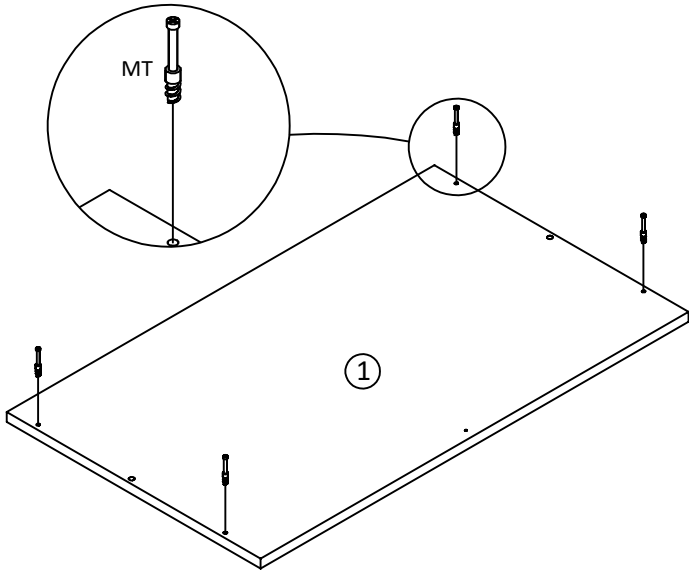




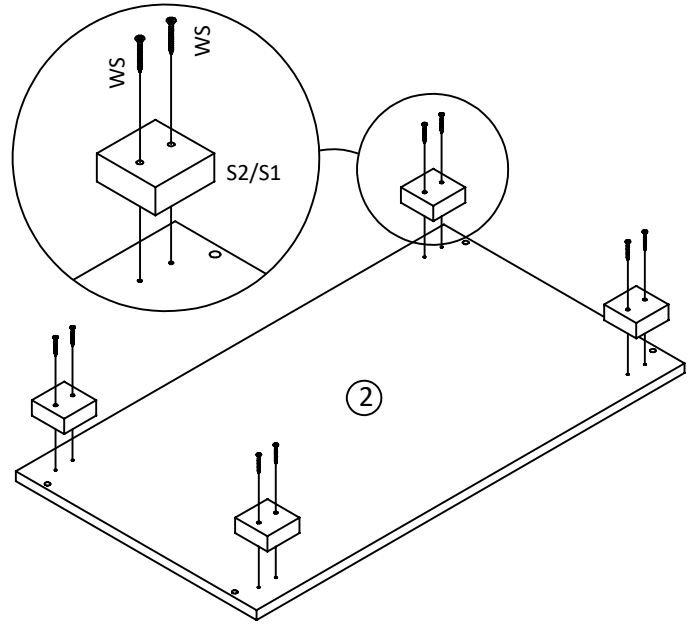
I



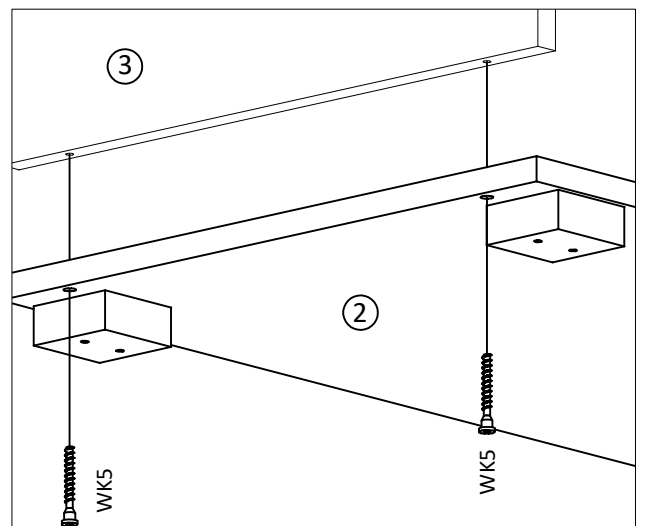
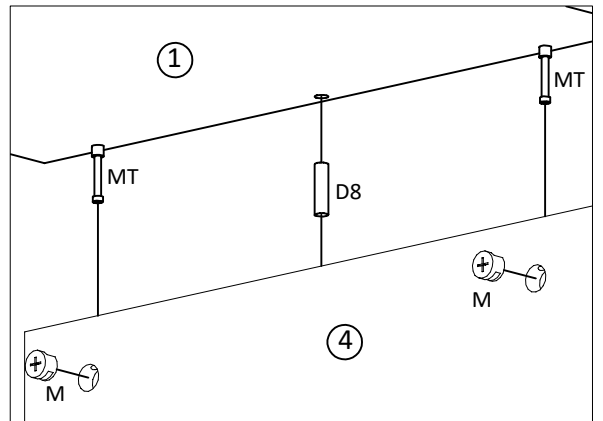
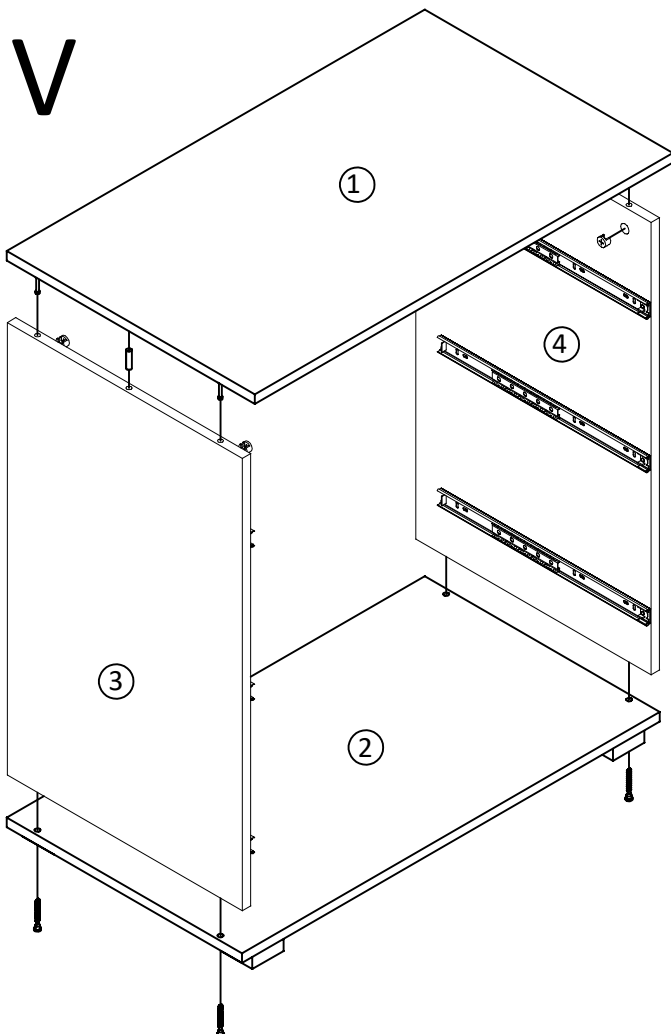
III



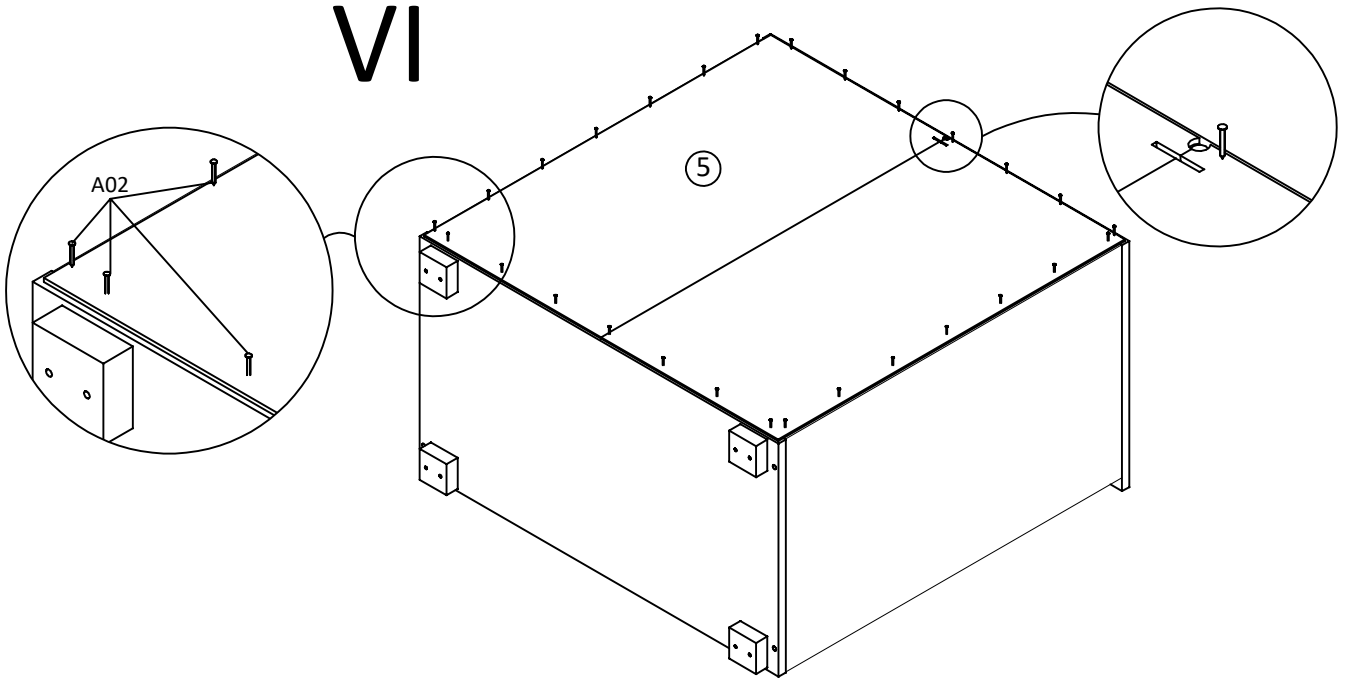
IV



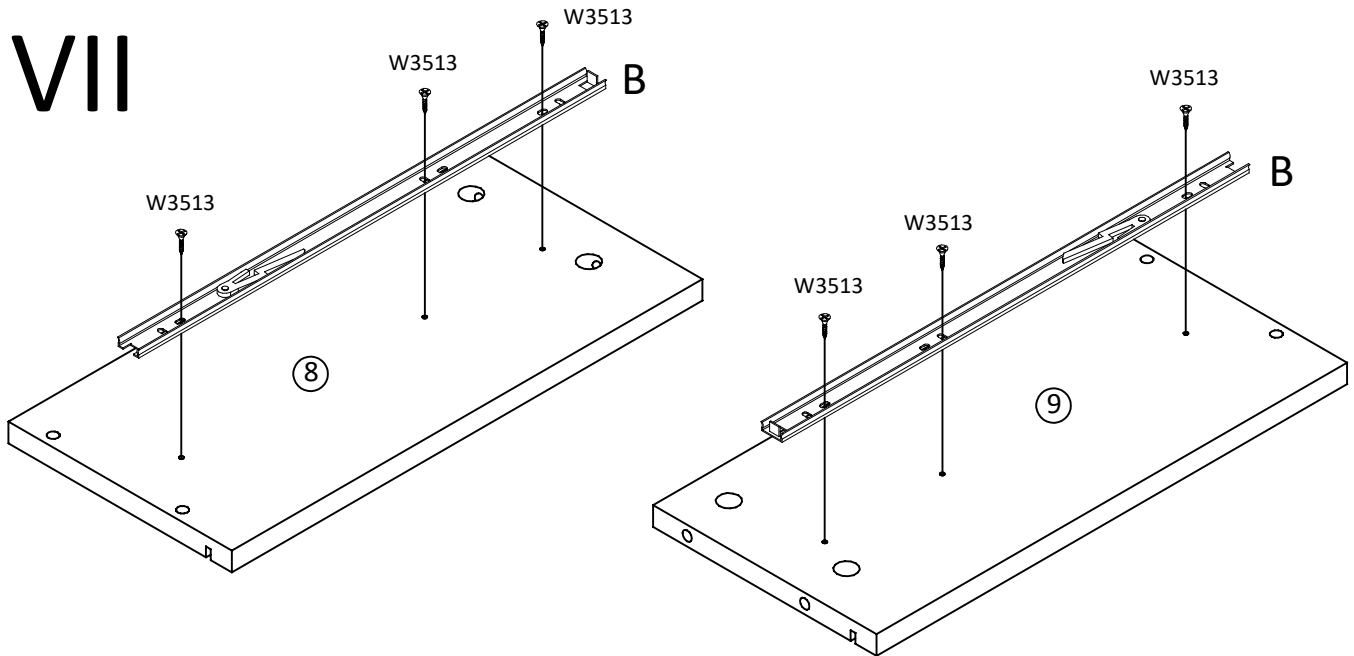
V



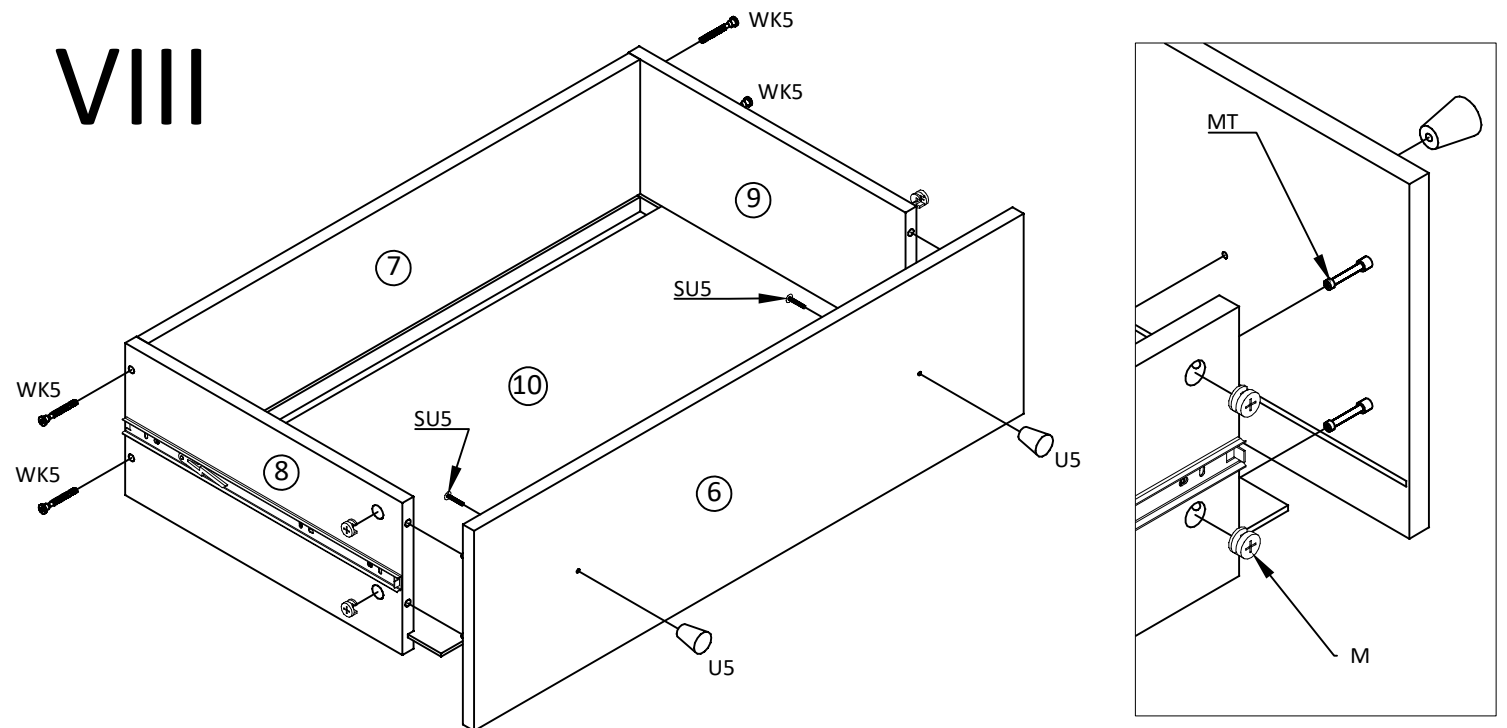
# VI



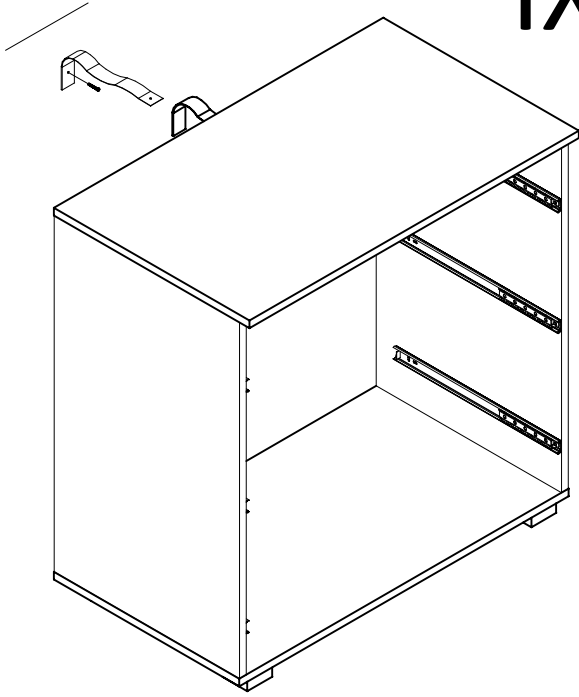
# VII



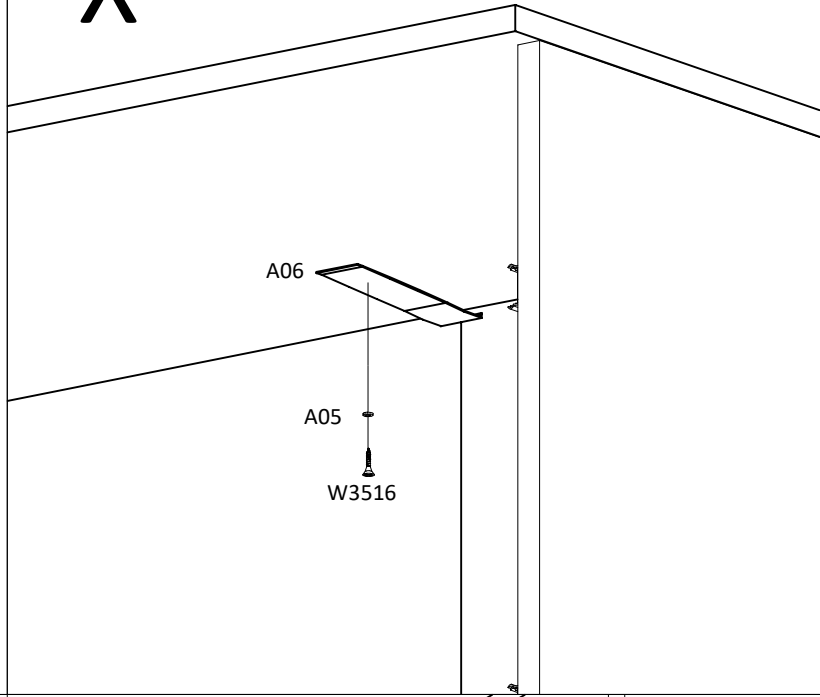
# VIII



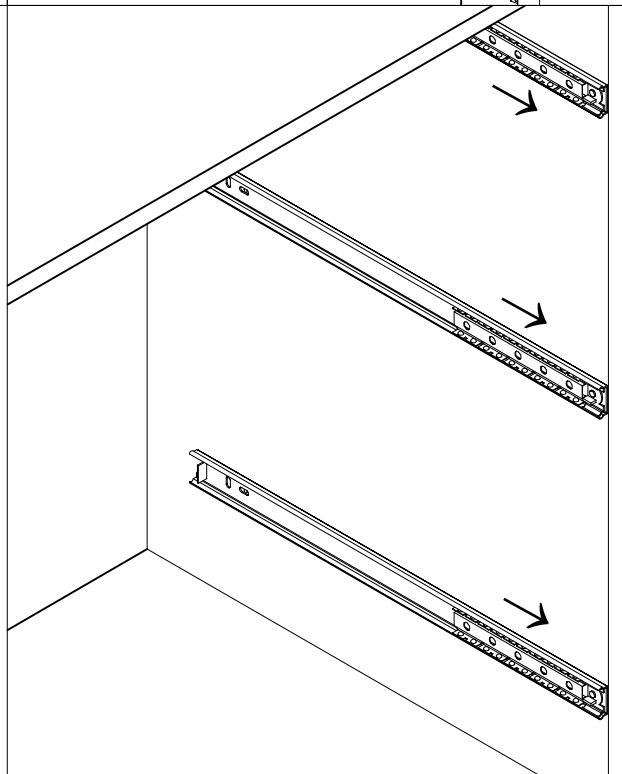
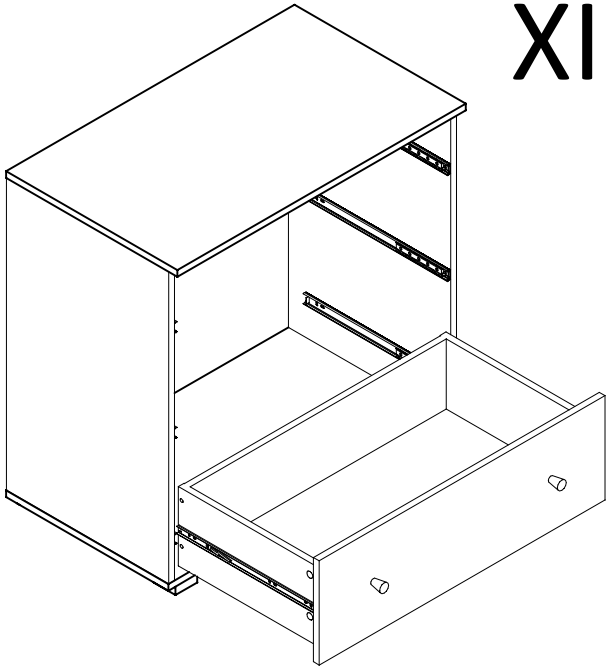
# IX



# X



# XI



# XII

