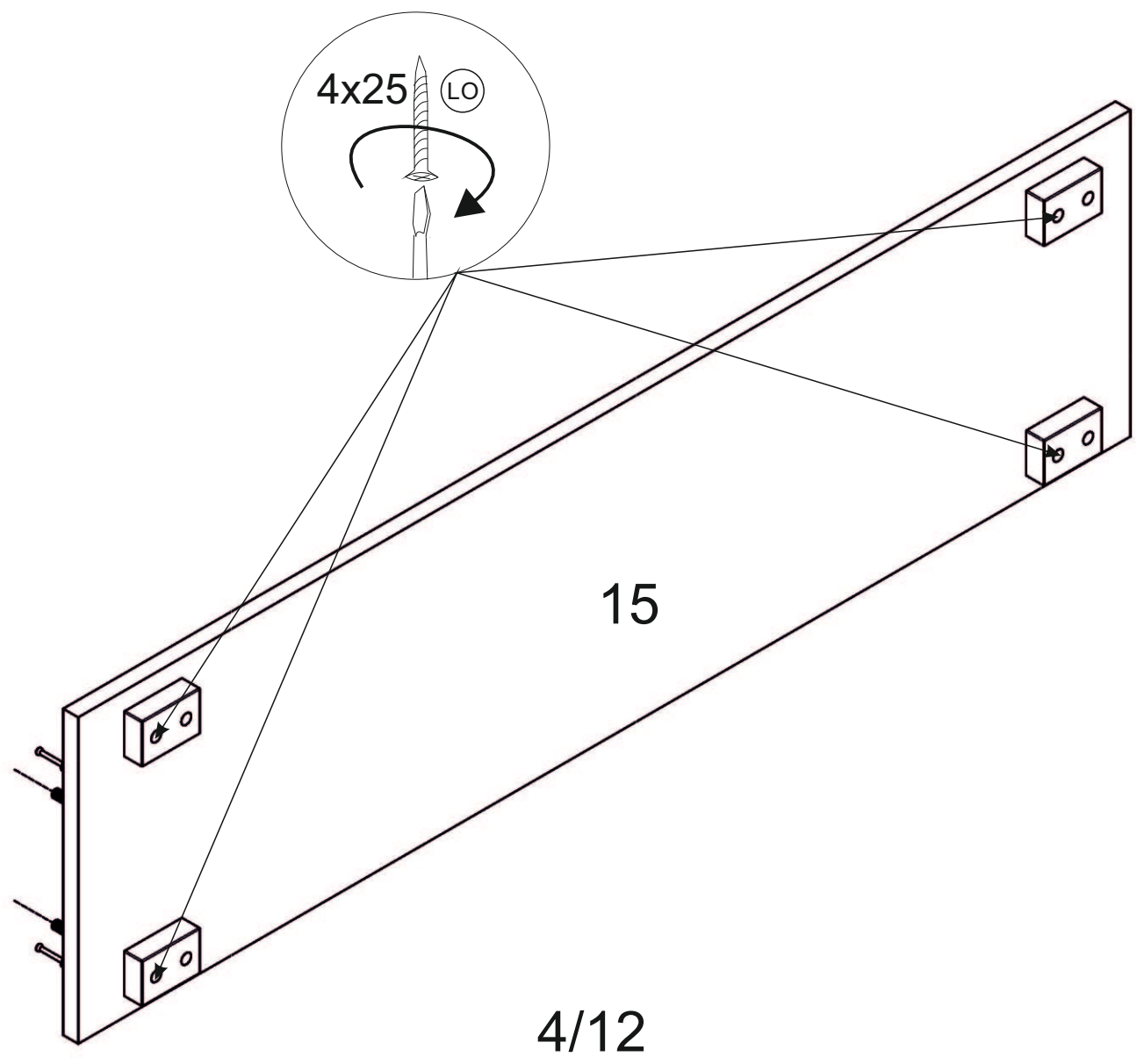
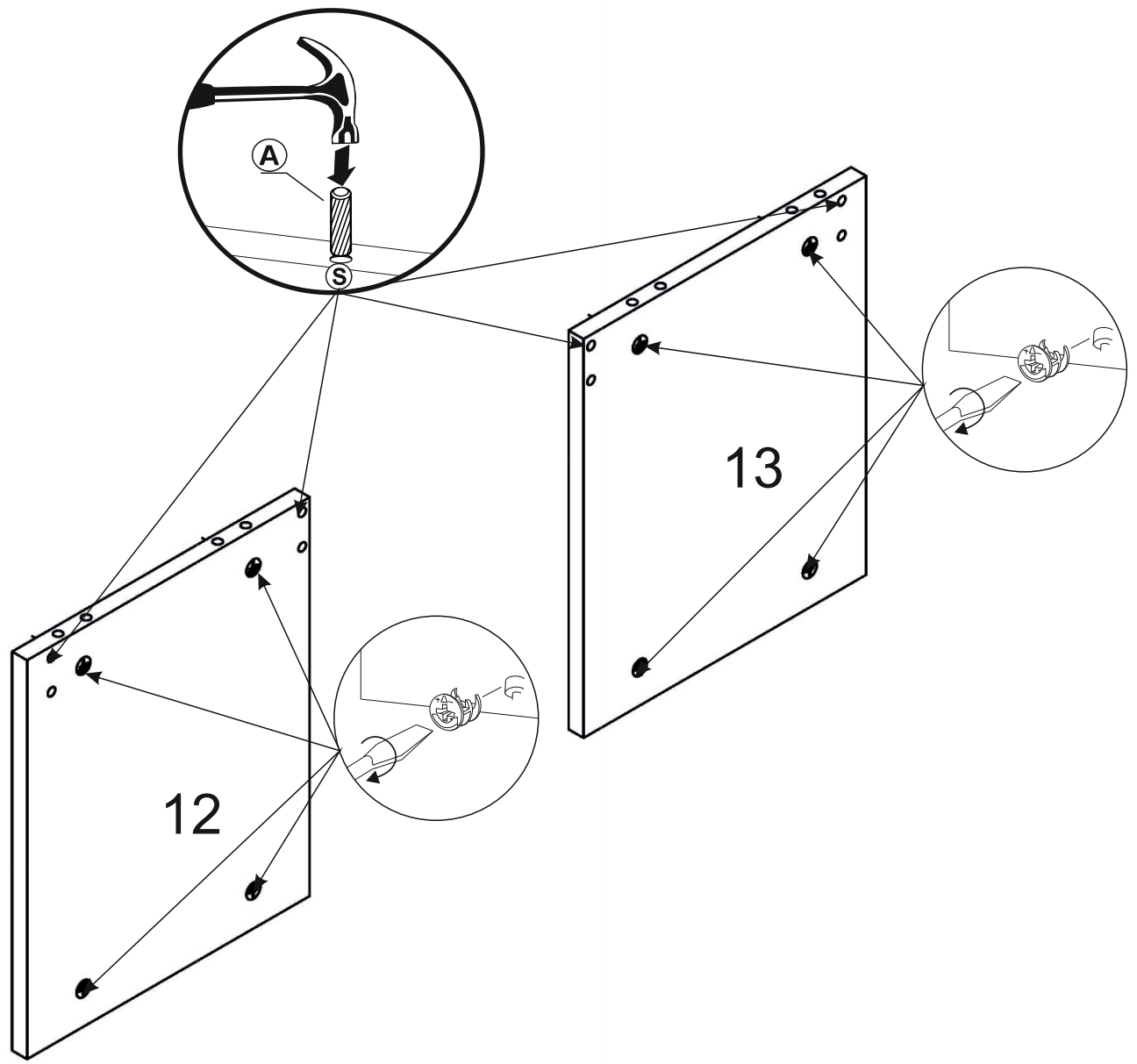
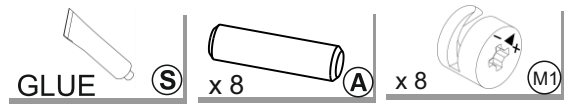
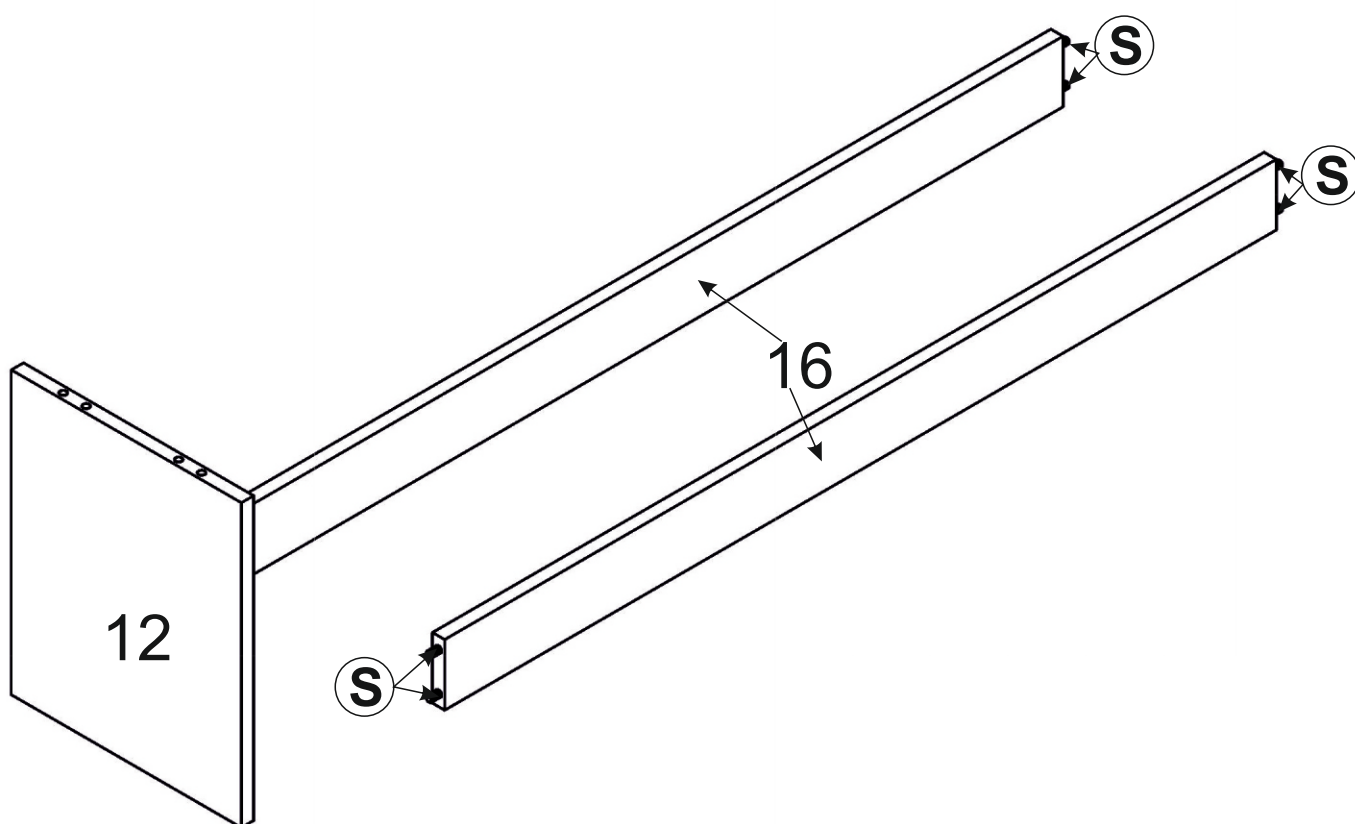
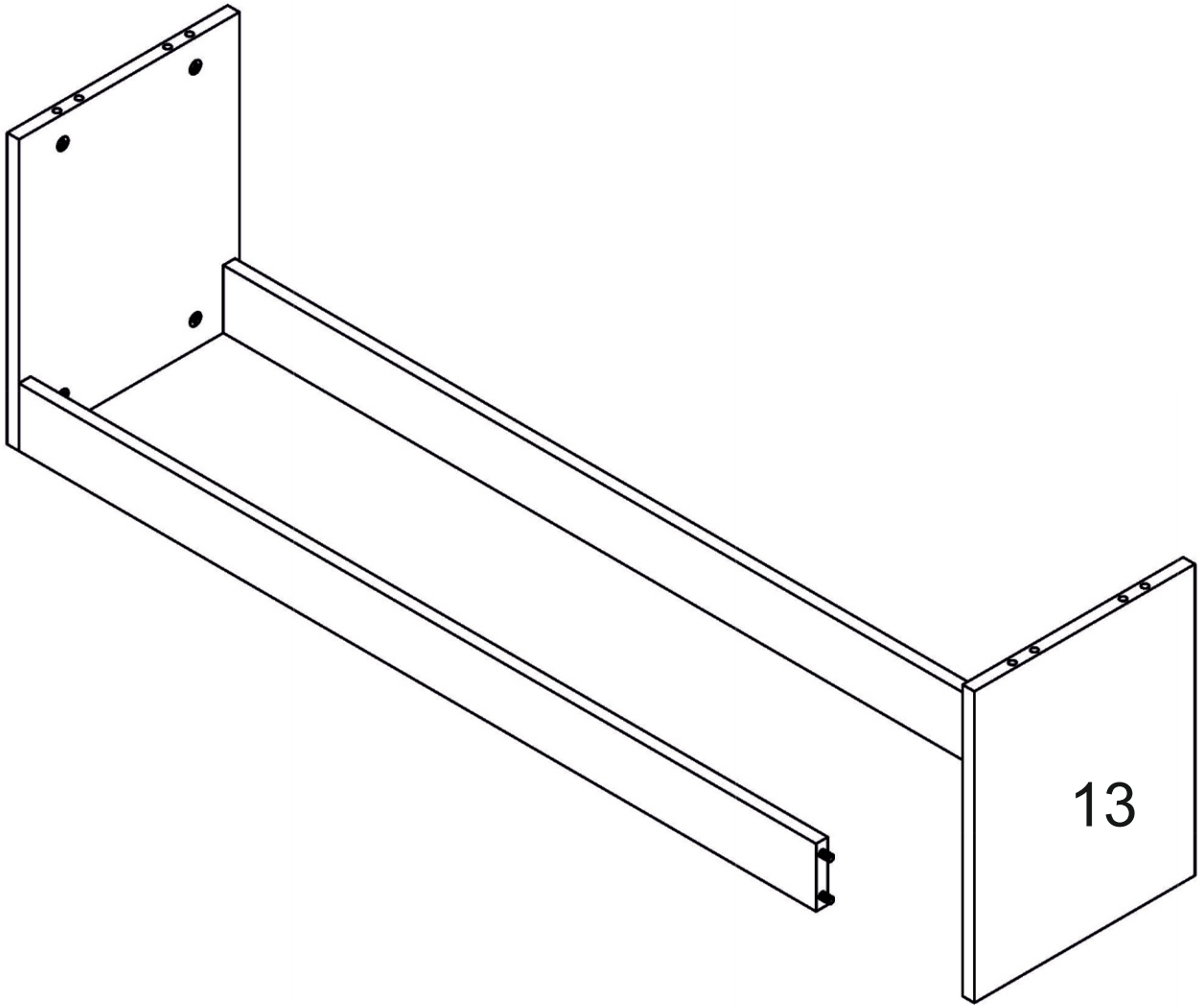


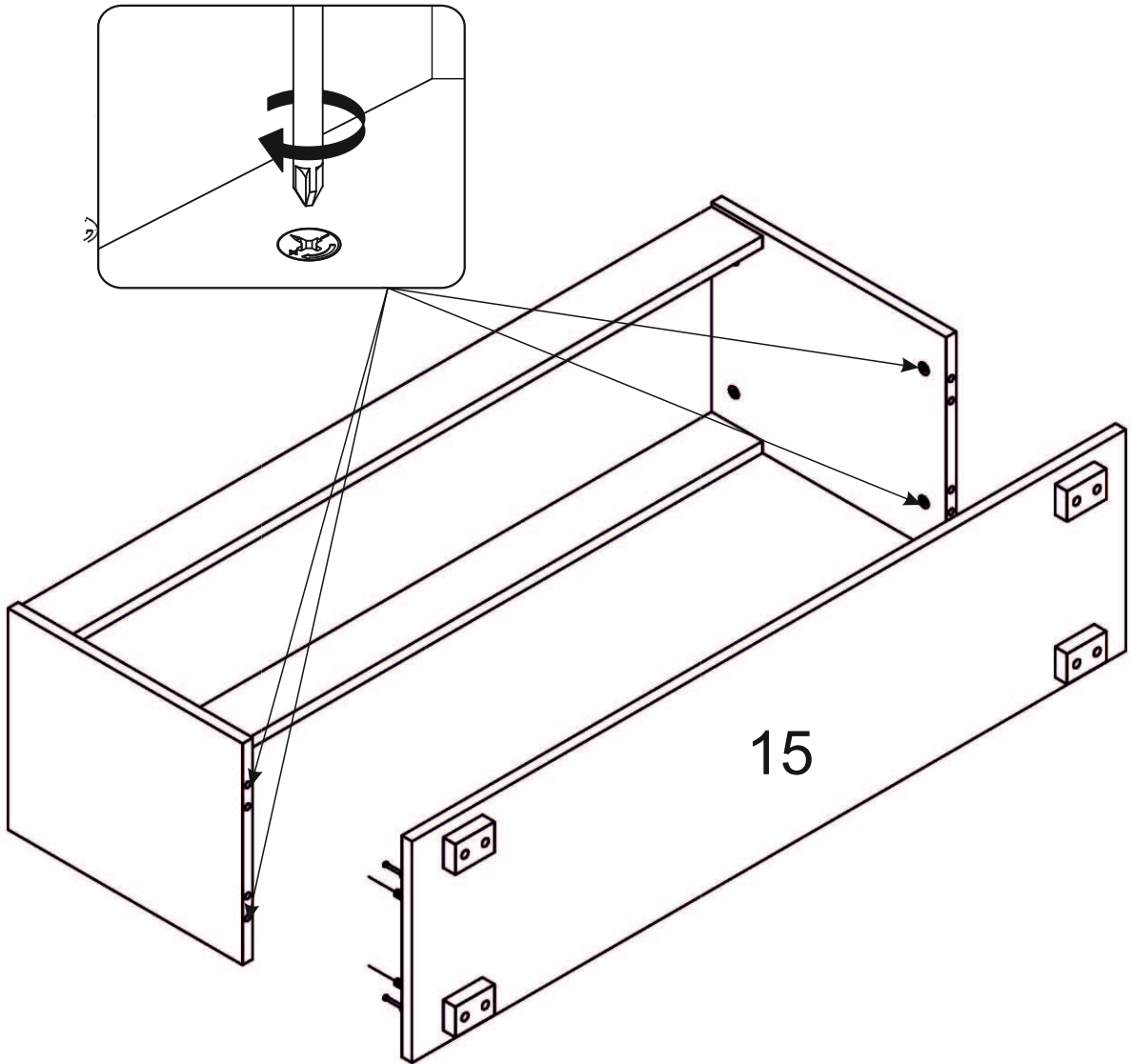
4x25
x 8 (LO)

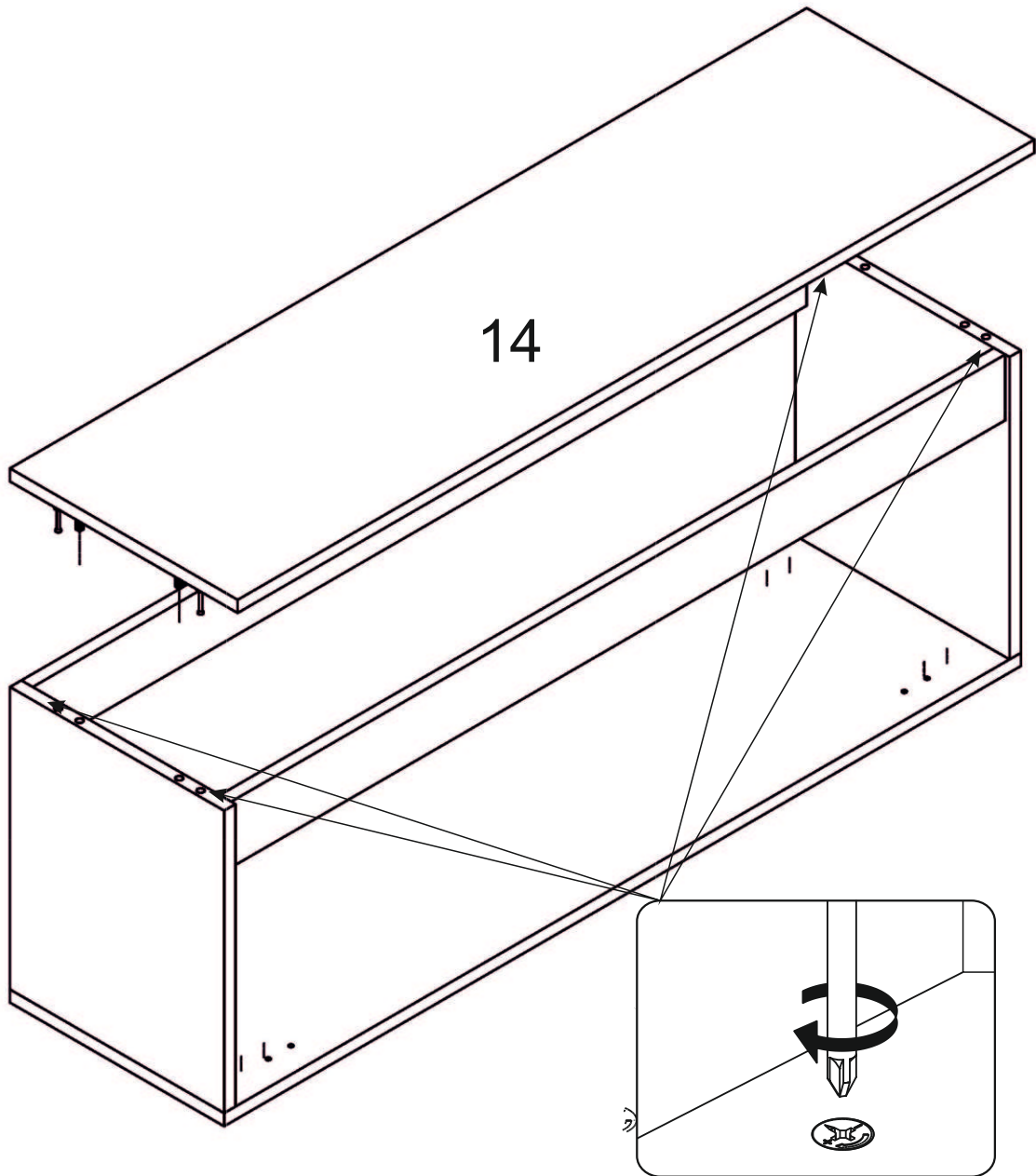


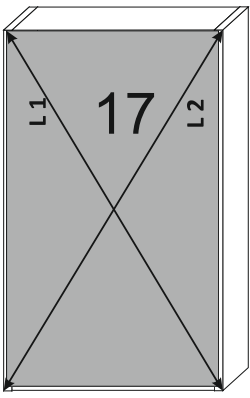




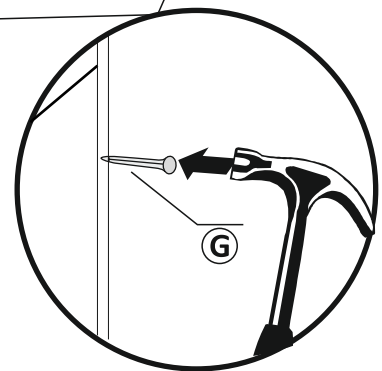
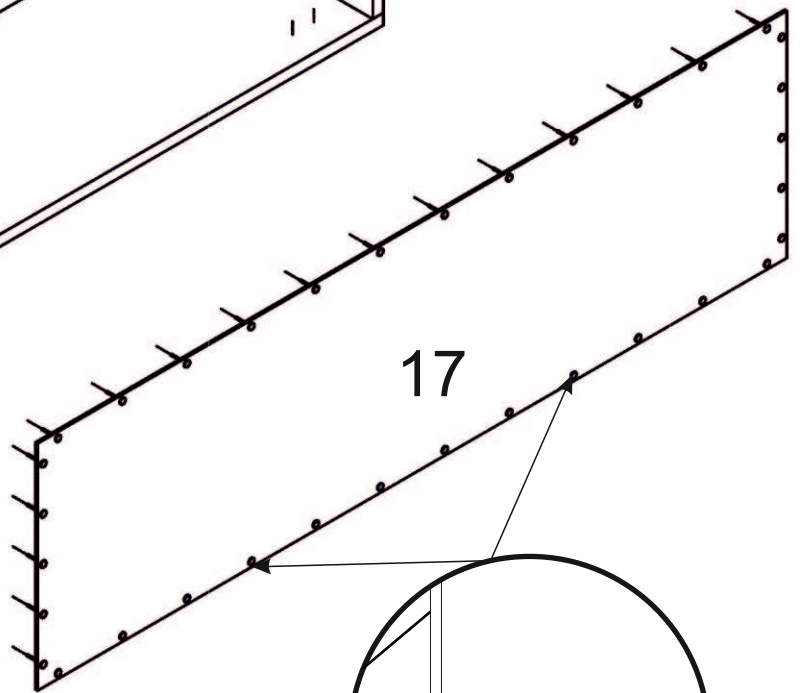
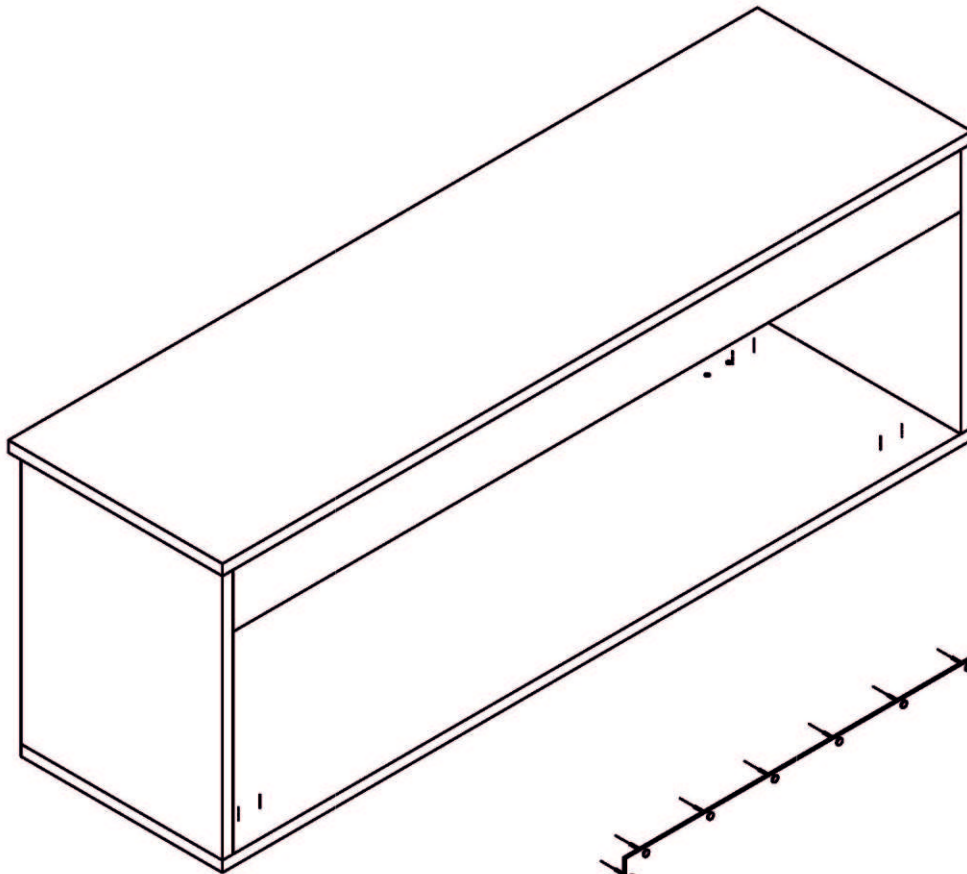








L1 = L2



3,5x16
x 4 (X) x 2 (Z)

