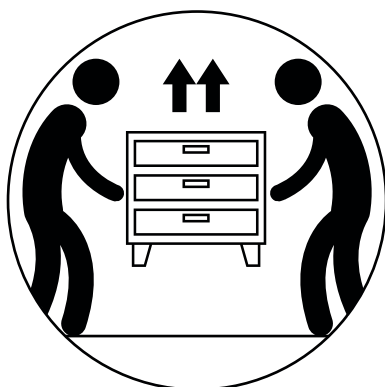
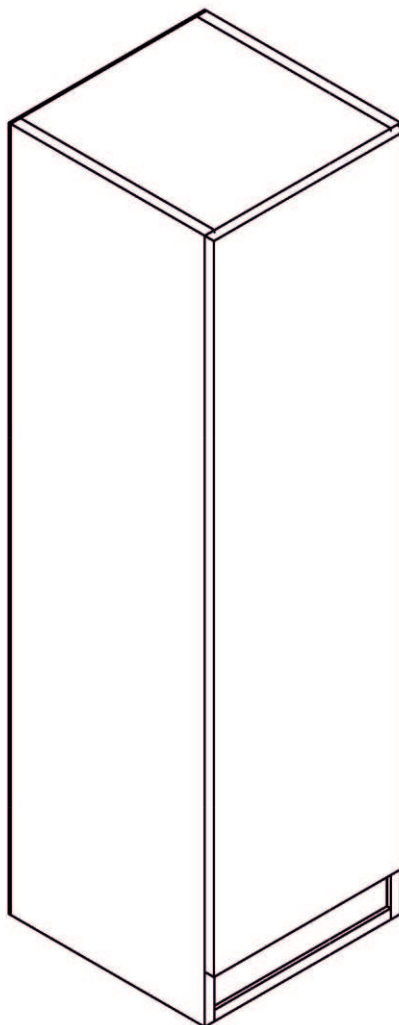
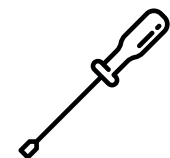
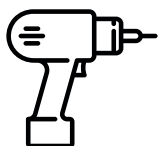
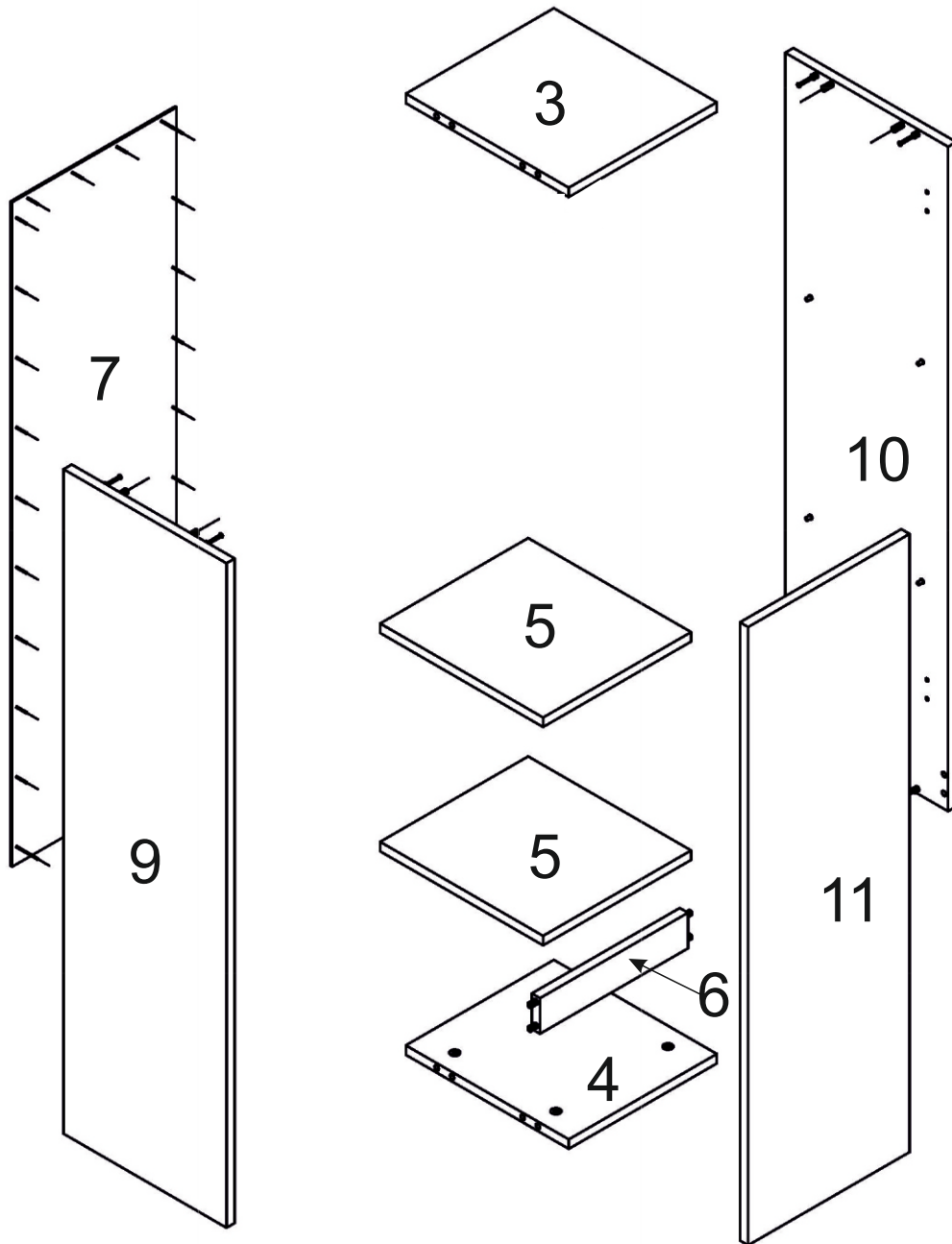
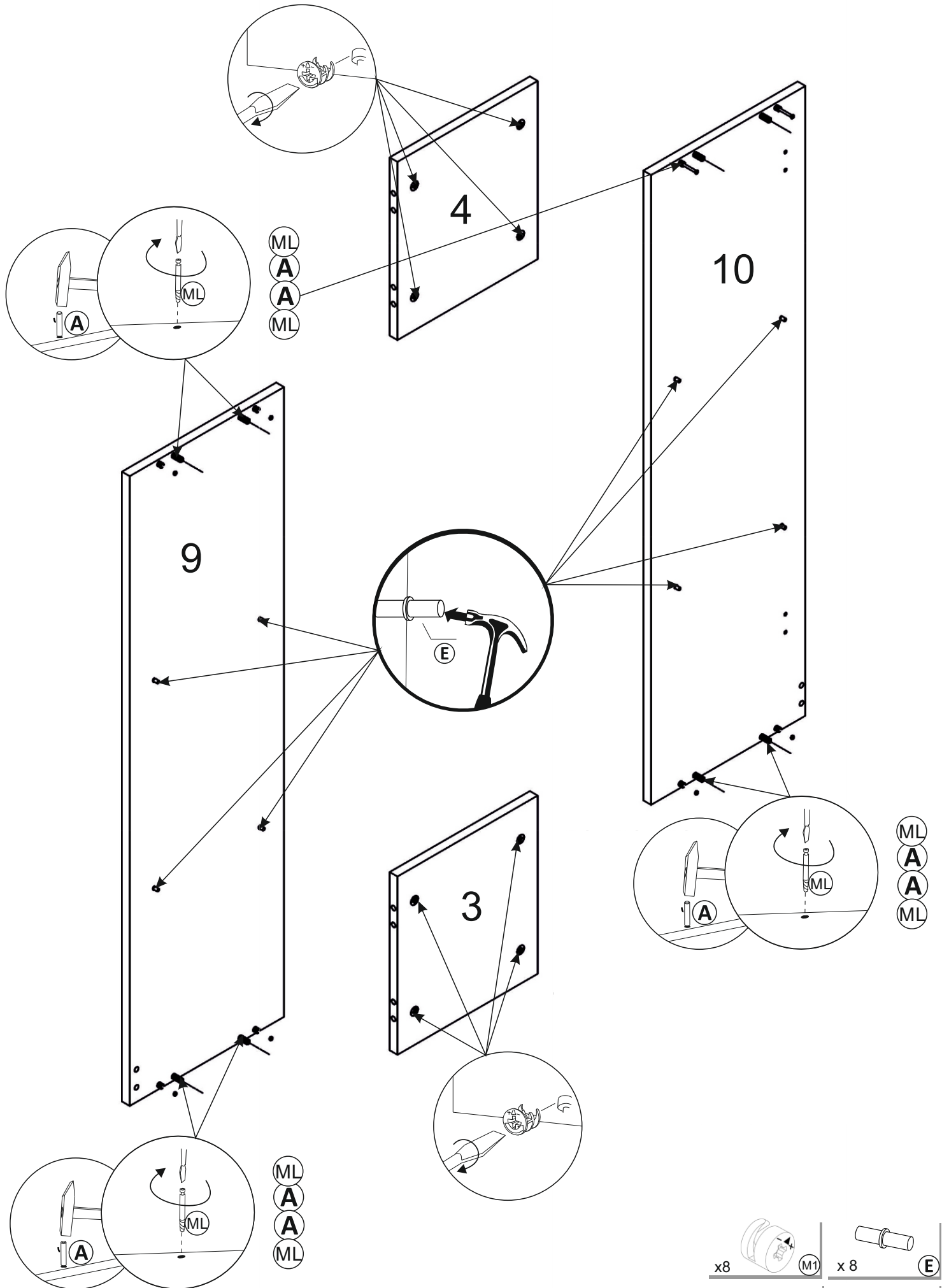


PINTO WISZĄCA L

PNT71





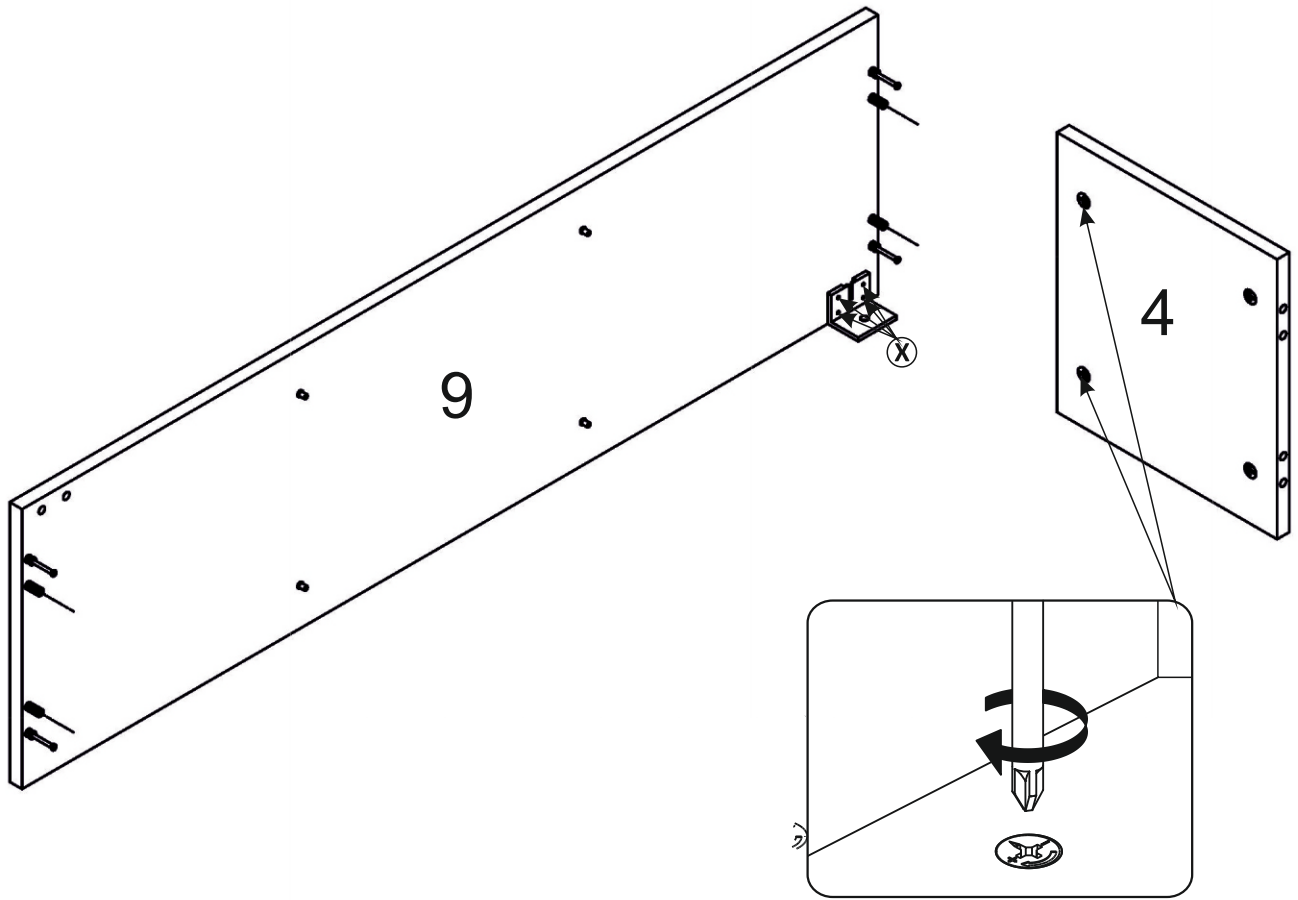


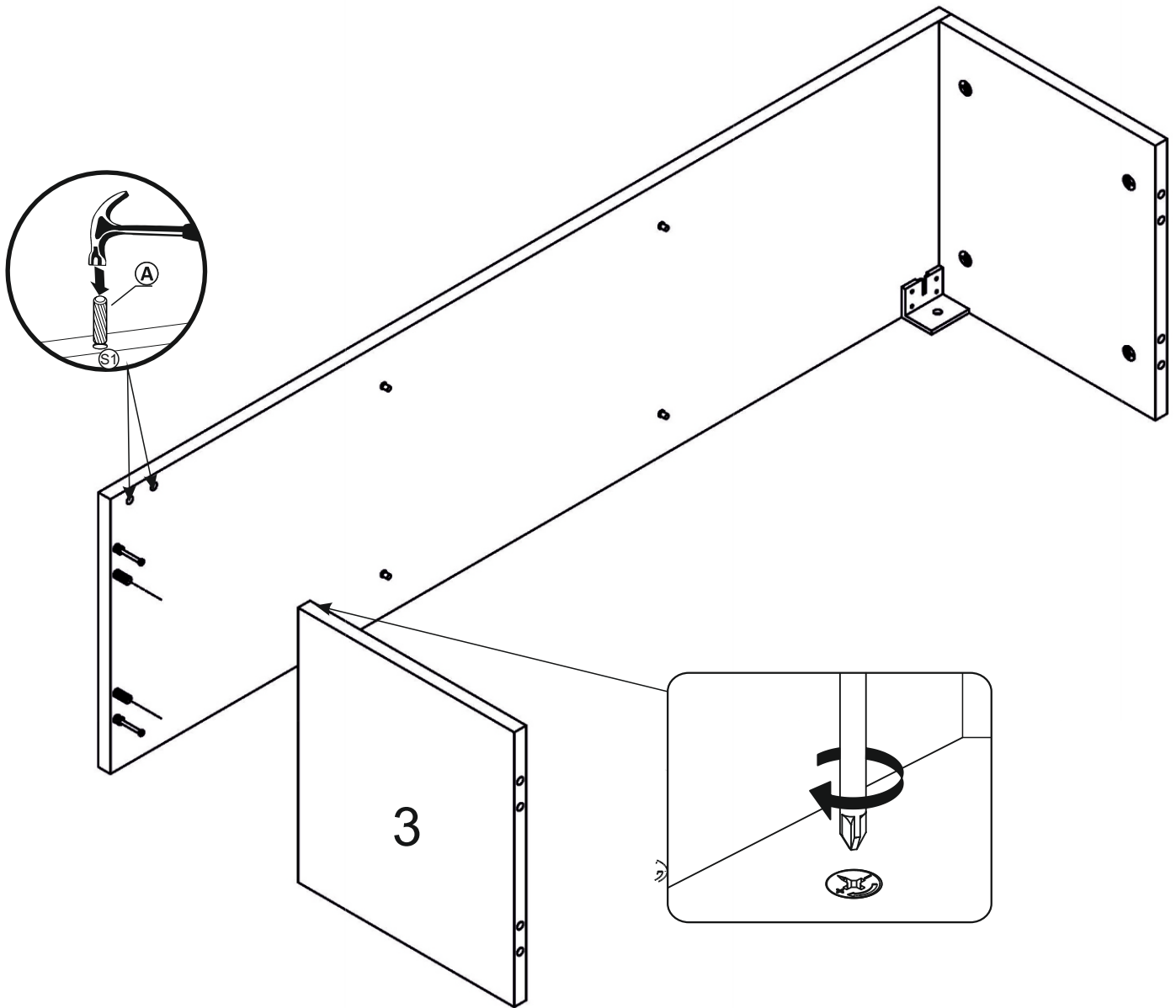
ML
A
A
ML

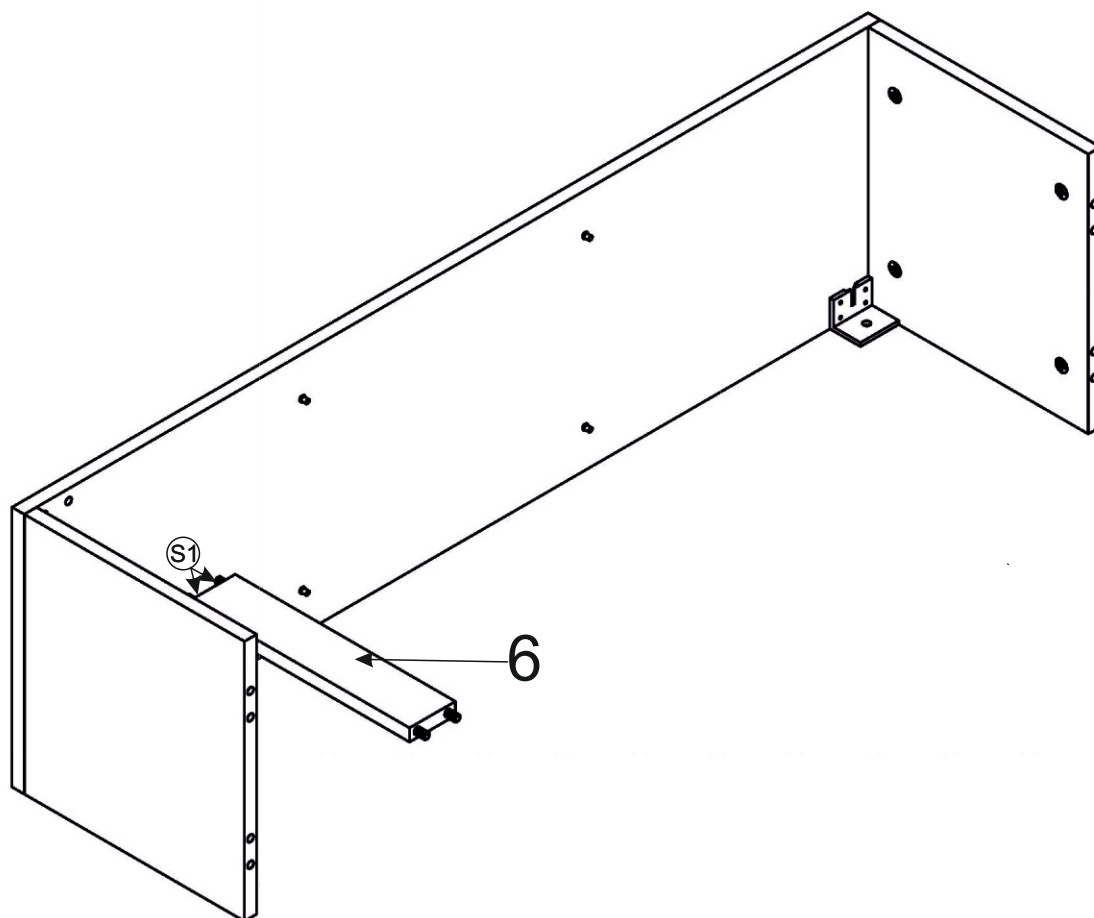
ML
A
A
ML

ML
A
A
ML

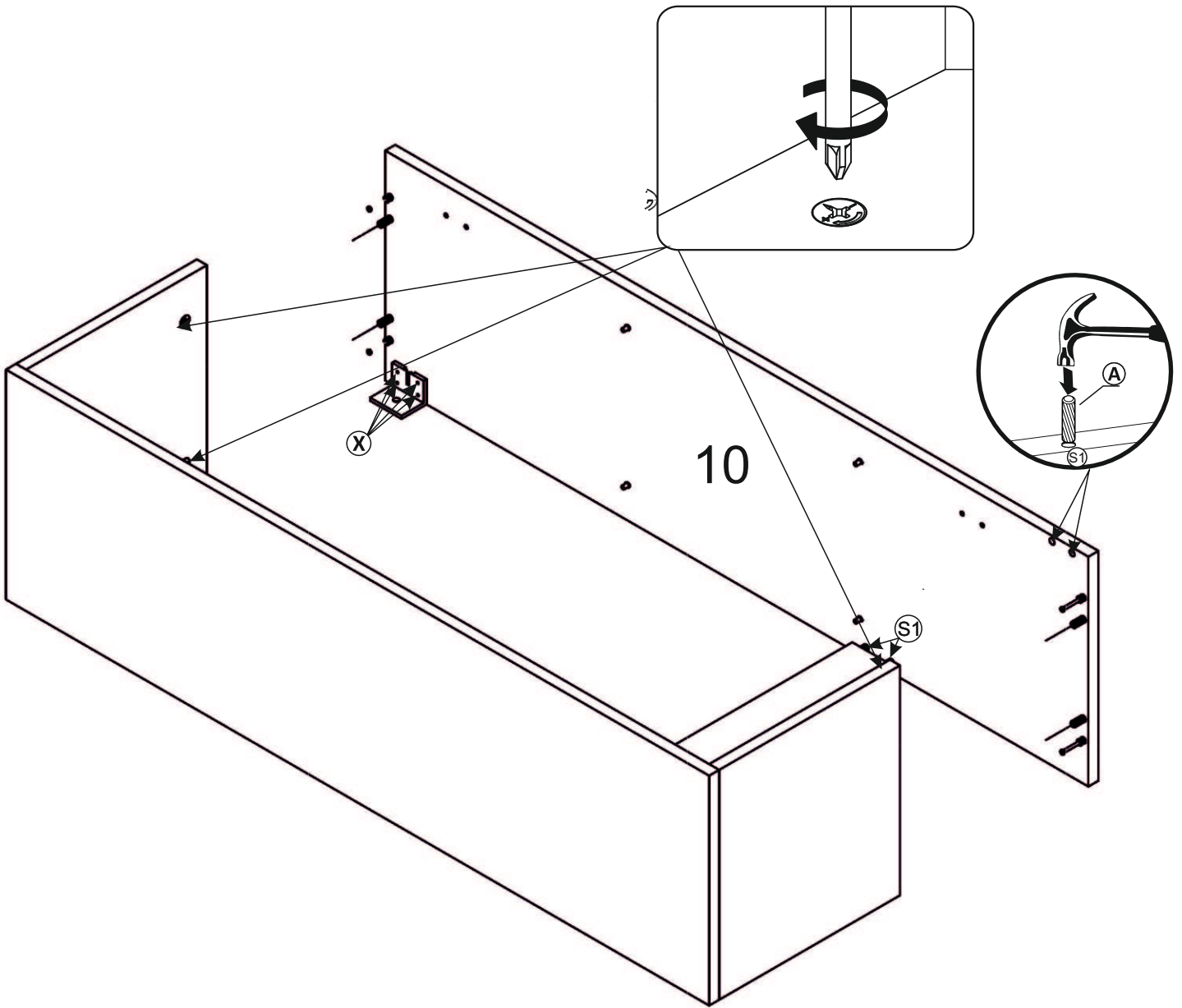
- | | | | | | |
|----|--|------|----|--|------|
| x8 | | (M1) | x8 | | (E) |
| x8 | | (A) | x8 | | (ML) |

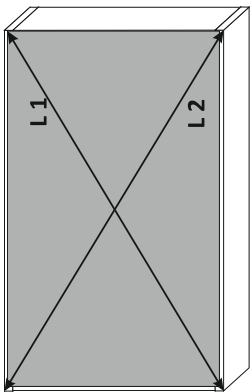
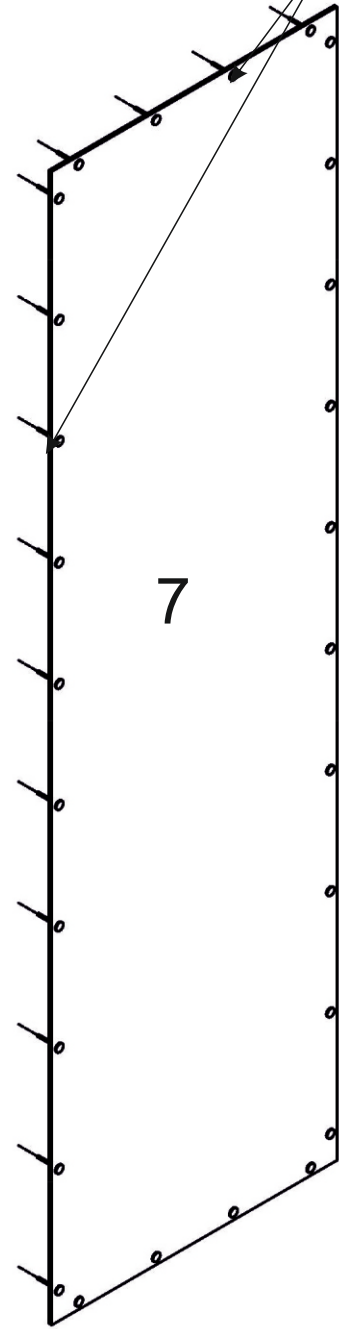
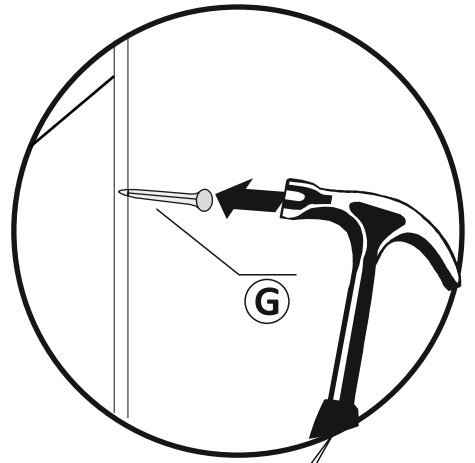
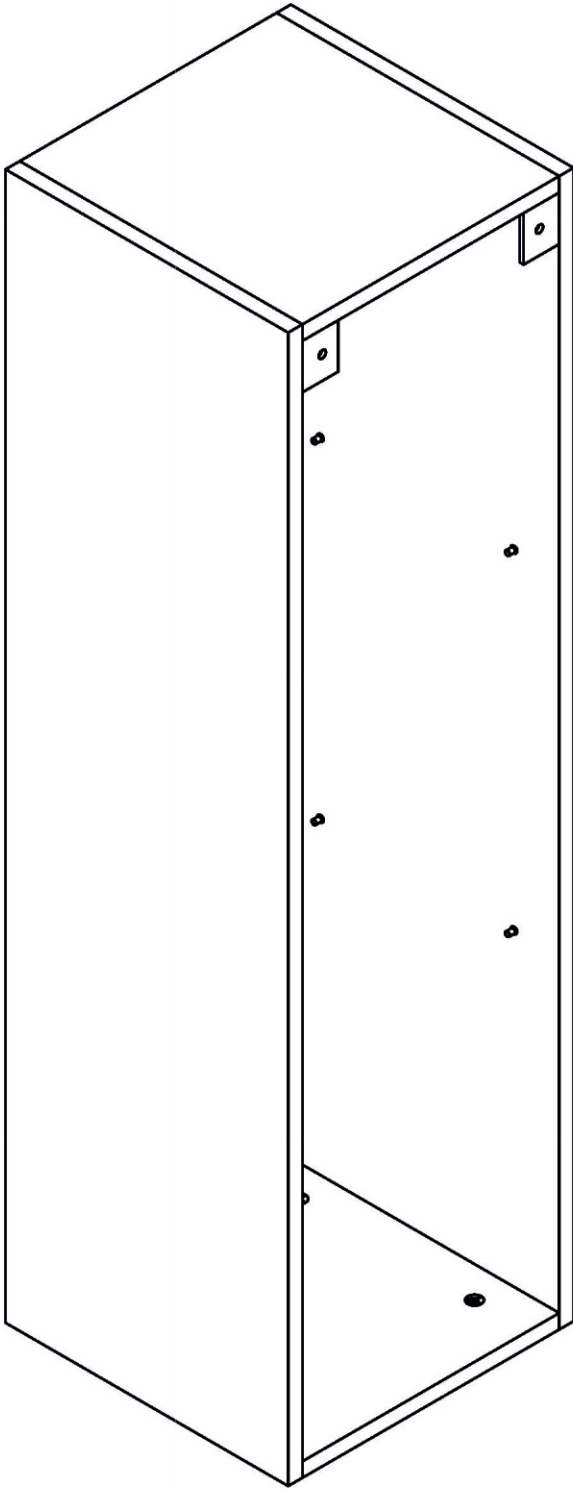






3,5x16
x 4 (X) GLUE (S1) x 2 (A)





L1 = L2

