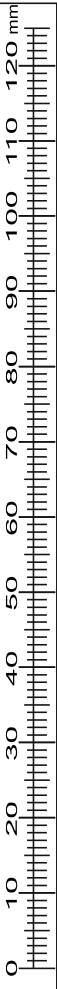
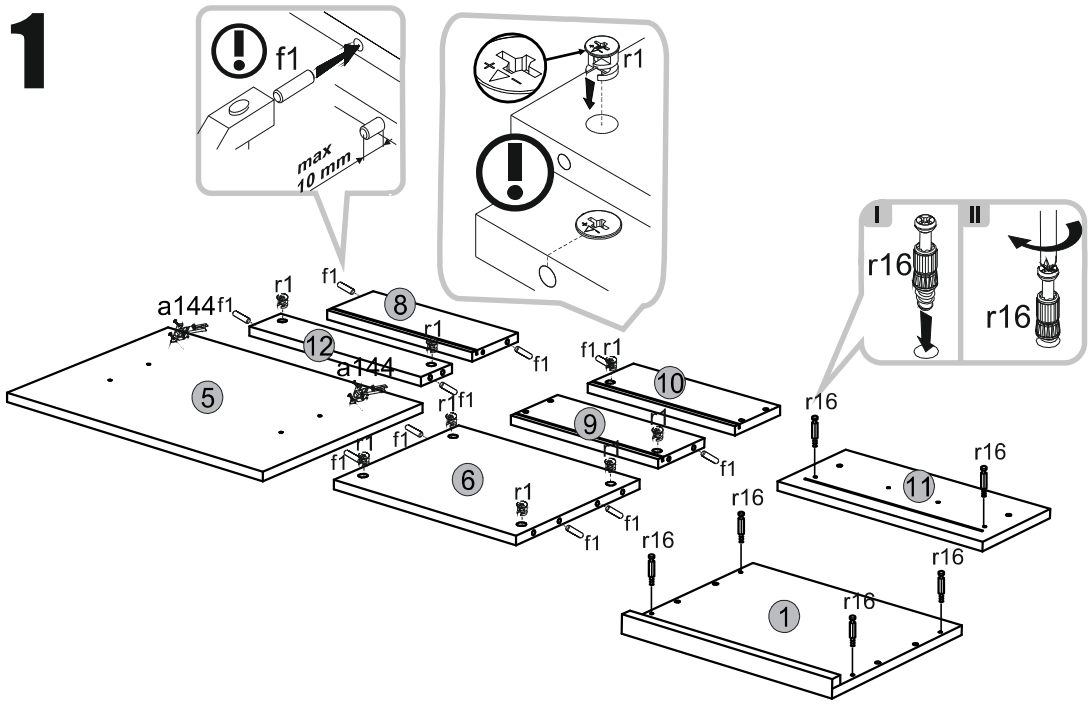


Element symbol	Dimensions		Code	Package
	Width	Depth		
1	402	16/32	T-213	1/1
2	1814	310	T-123	1/1
3	1814	310	T-124	1/1
4	982	396	T-019	3/3
5	546	396	T-011	2/2
6	368	310	T-323	1/1
7	368	295	T-322	1/1
8	311	120	T-518	1/1
9	300	120	T-503	1/1
10	300	120	T-504	1/1
11	396	180	T-012	2/2
12	368	80	T-408	1/1
13	1011	197	T-613	1/1
14	734	394	T-614	2/2
15	325	298	T-615	1/1
16	982	396	T-013	3/3

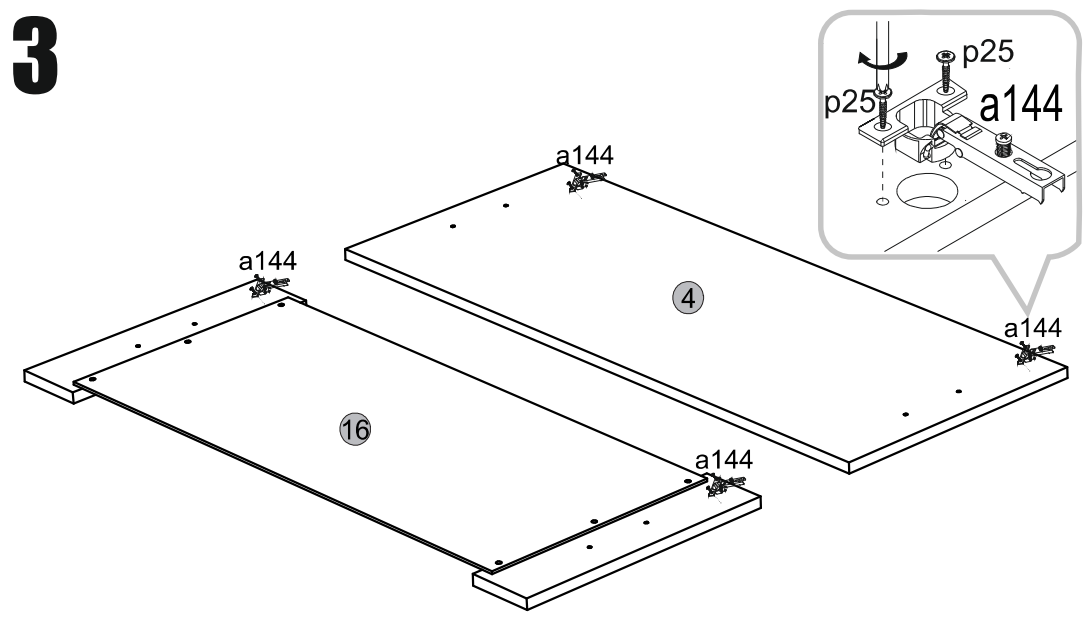
1x	n14	3x	c53	6x	p42	2x	i11	1x	z1
12x	d1	6x	s2	16x	r1	16x	r16	24x	p25
2x	e1	4x	k1	1x	L-300	4x	s4	4x	a144
1x	p17	1x	f3	1x	n260	4x	b119	4x	b119
1x	p17	1x	f3	1x	n260	4x	b119	4x	b119



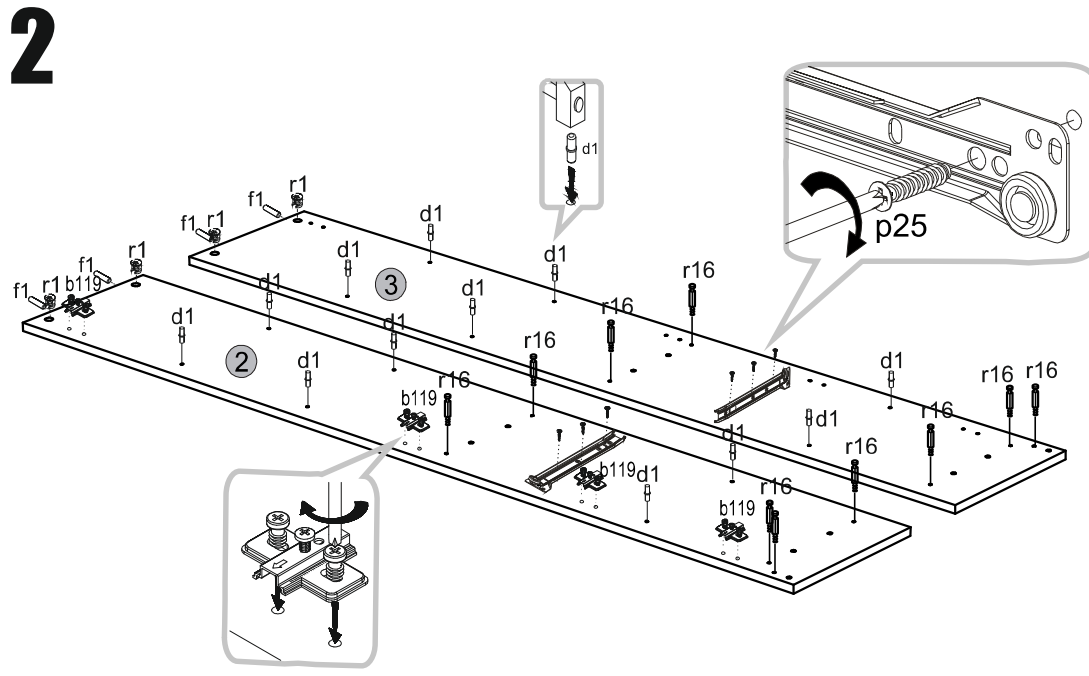
1



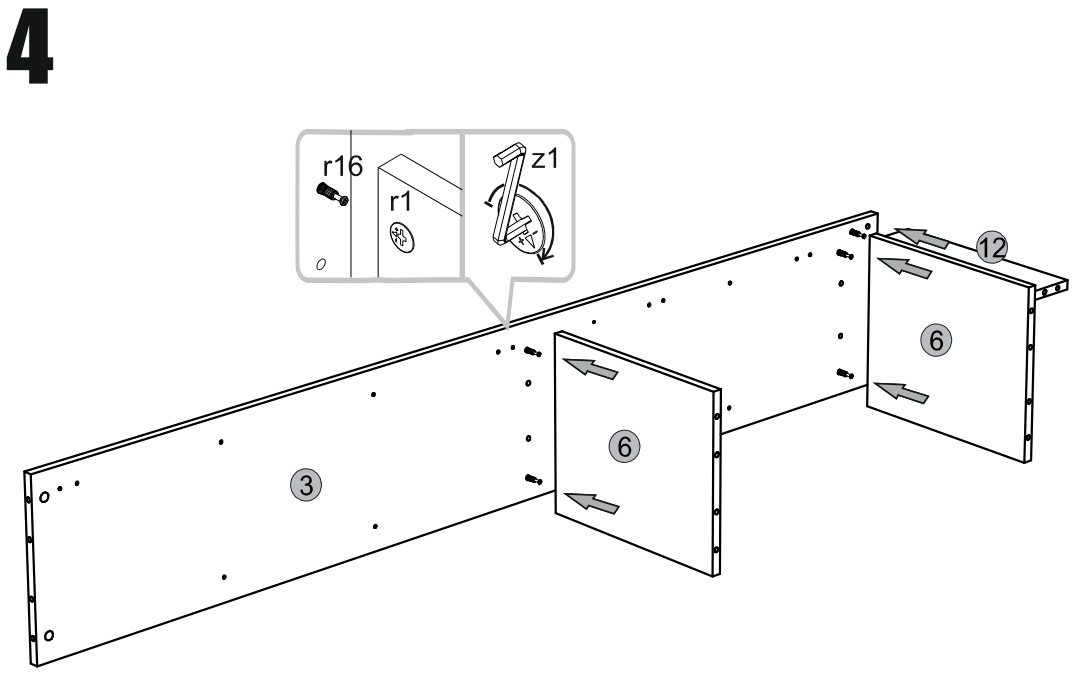
3



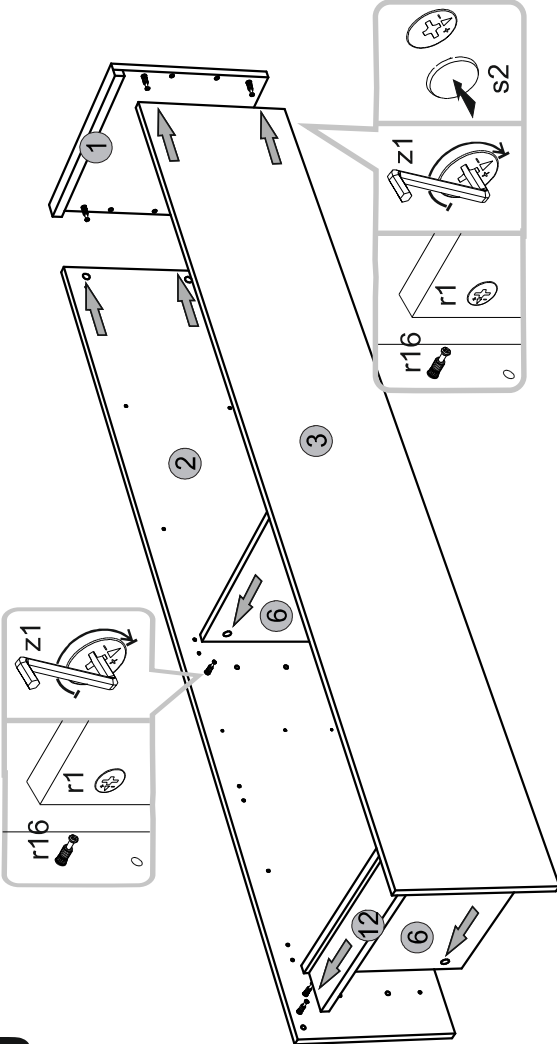
2



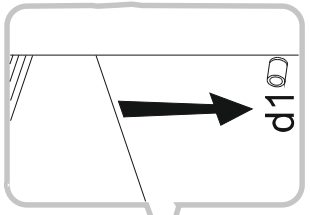
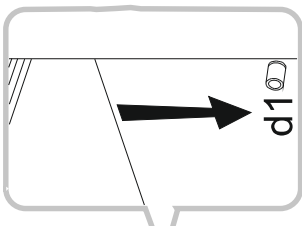
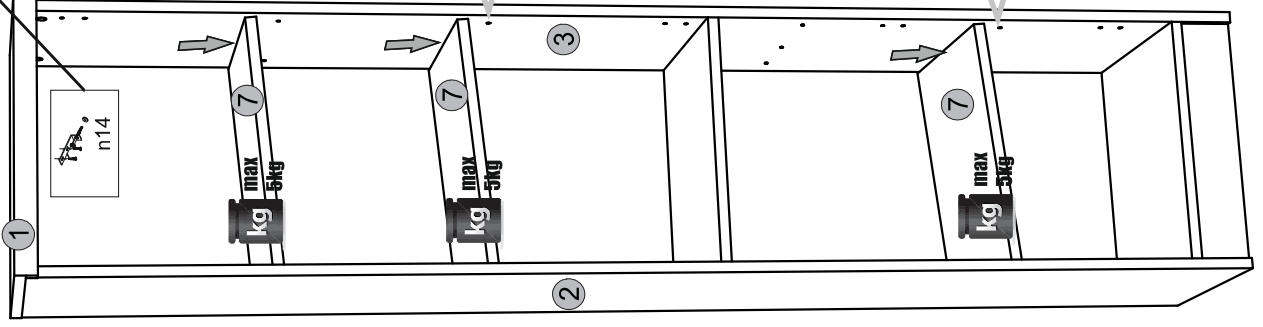
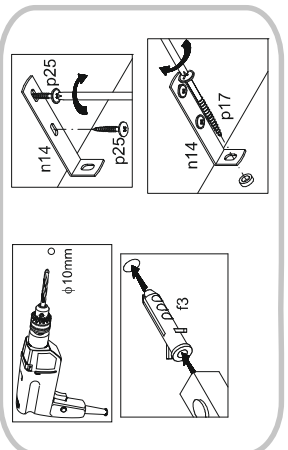
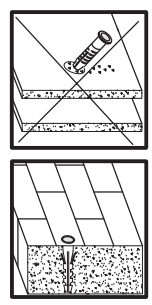
4



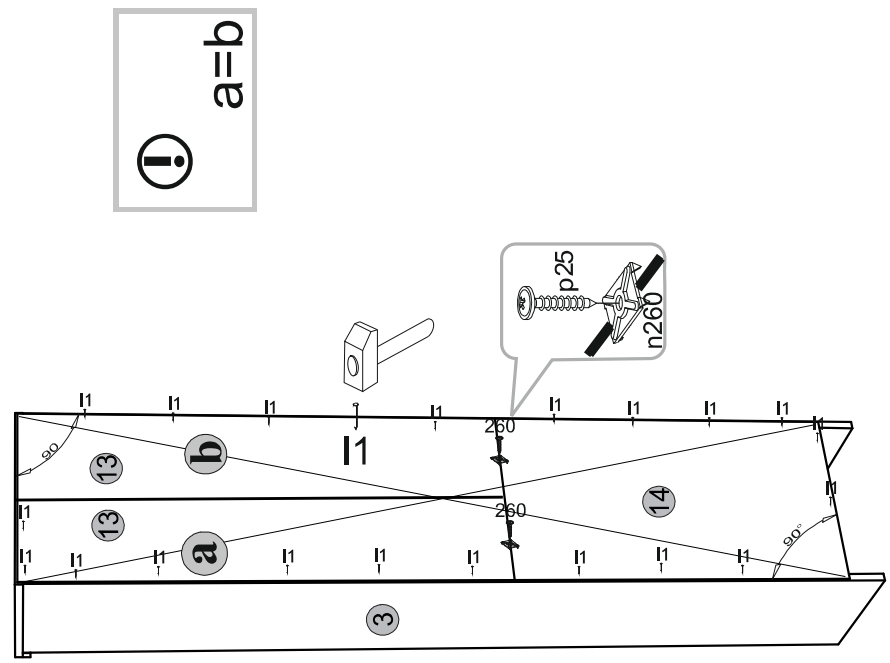
5



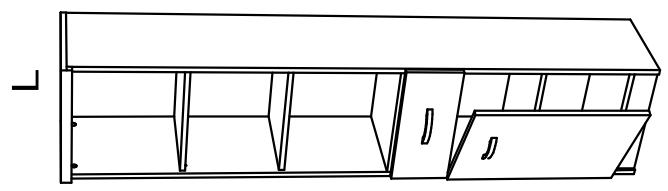
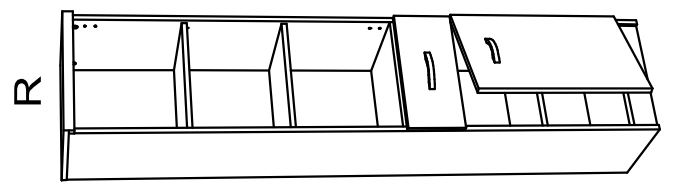
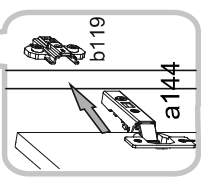
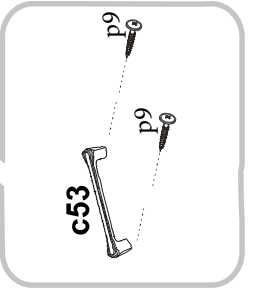
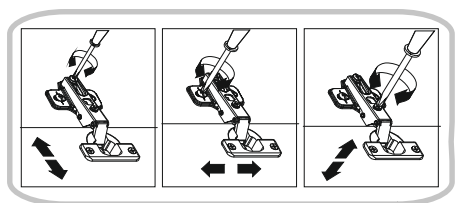
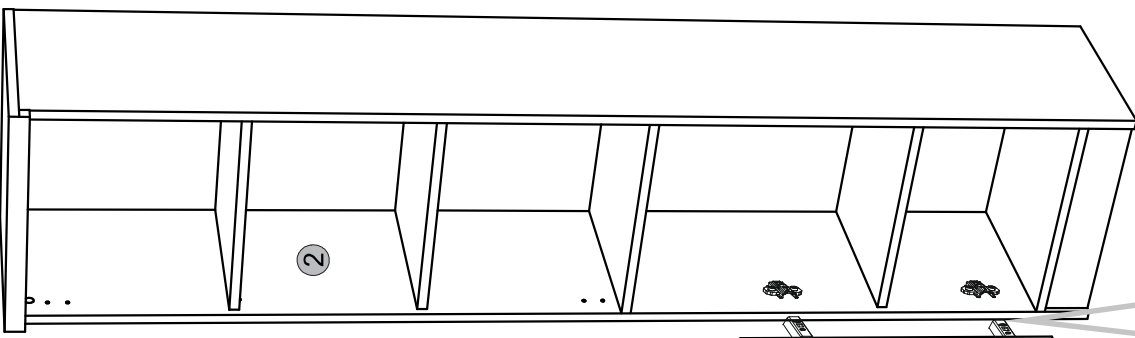
7



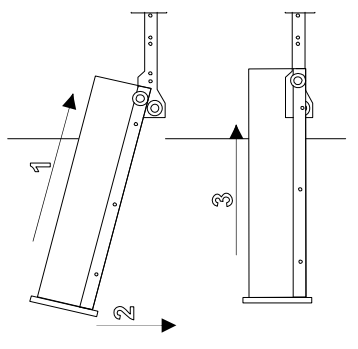
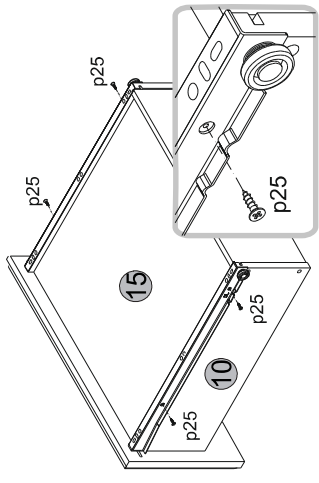
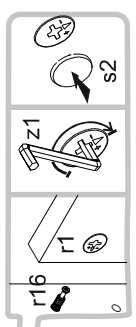
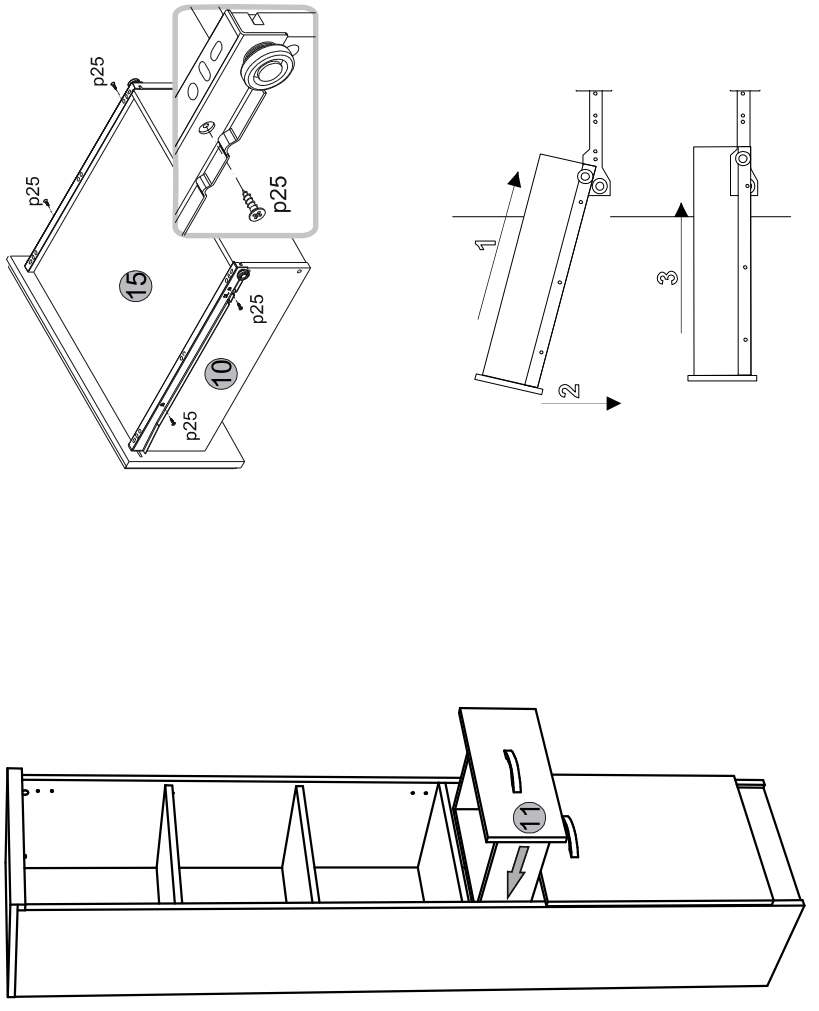
6



8



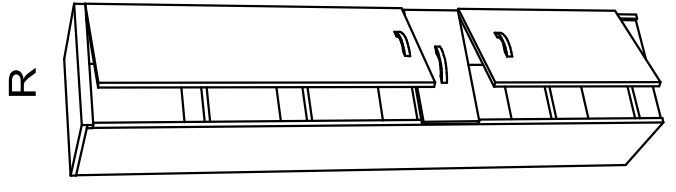
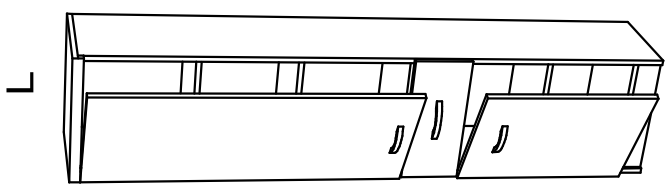
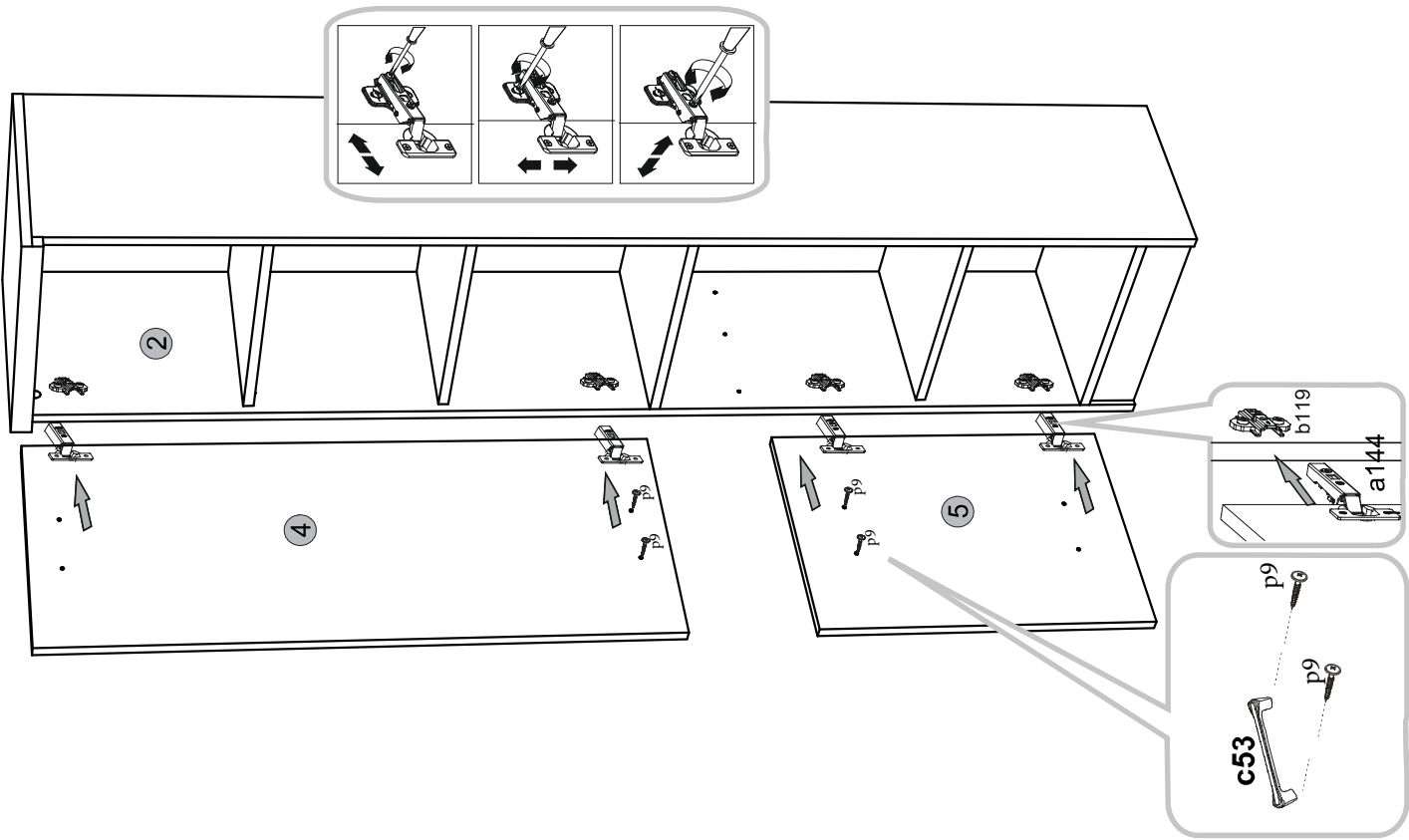
9



1

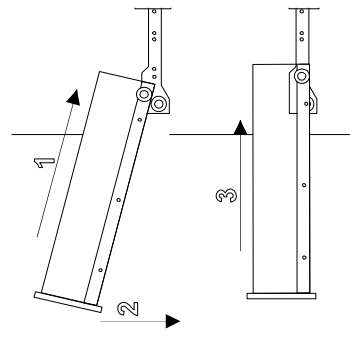
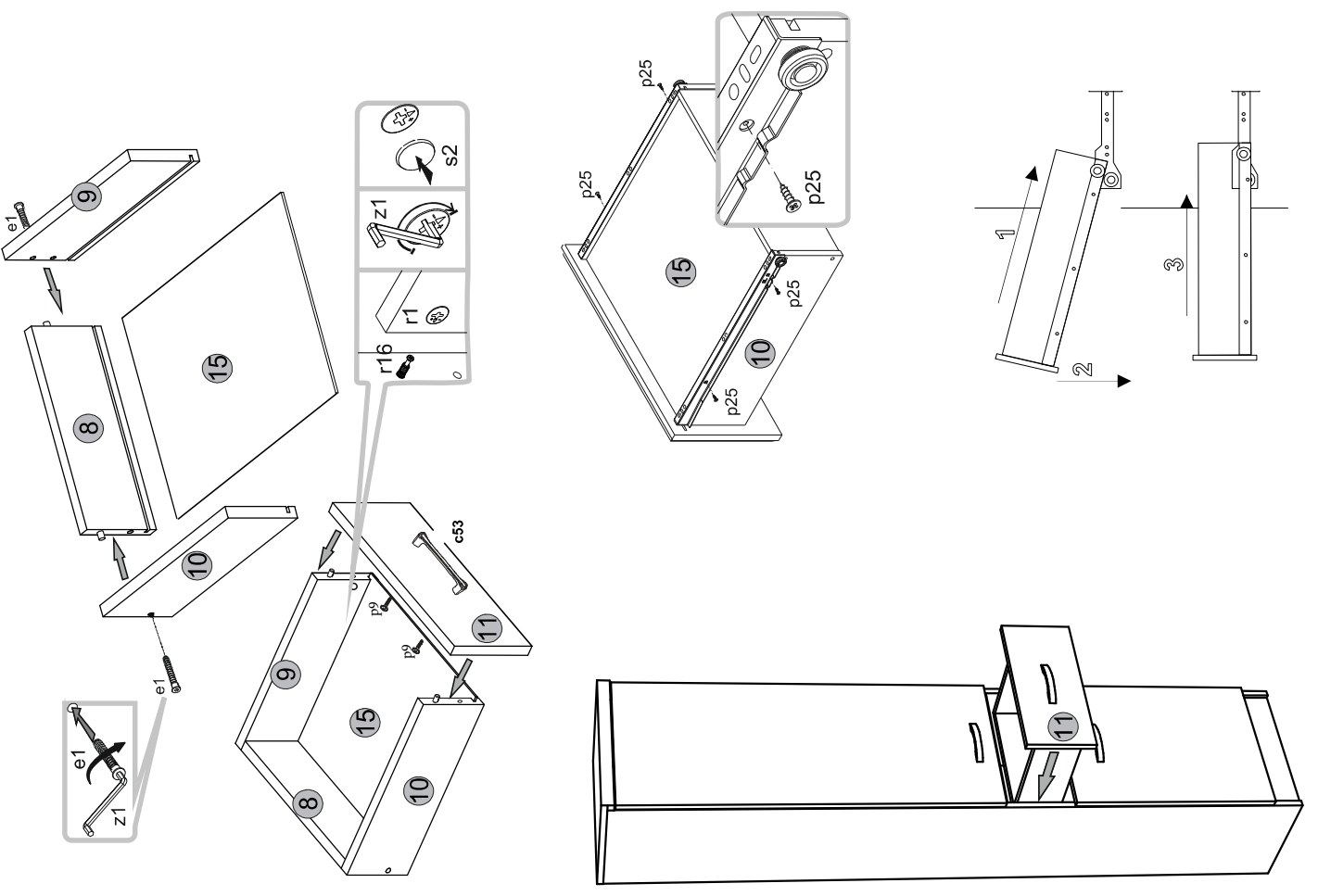
8

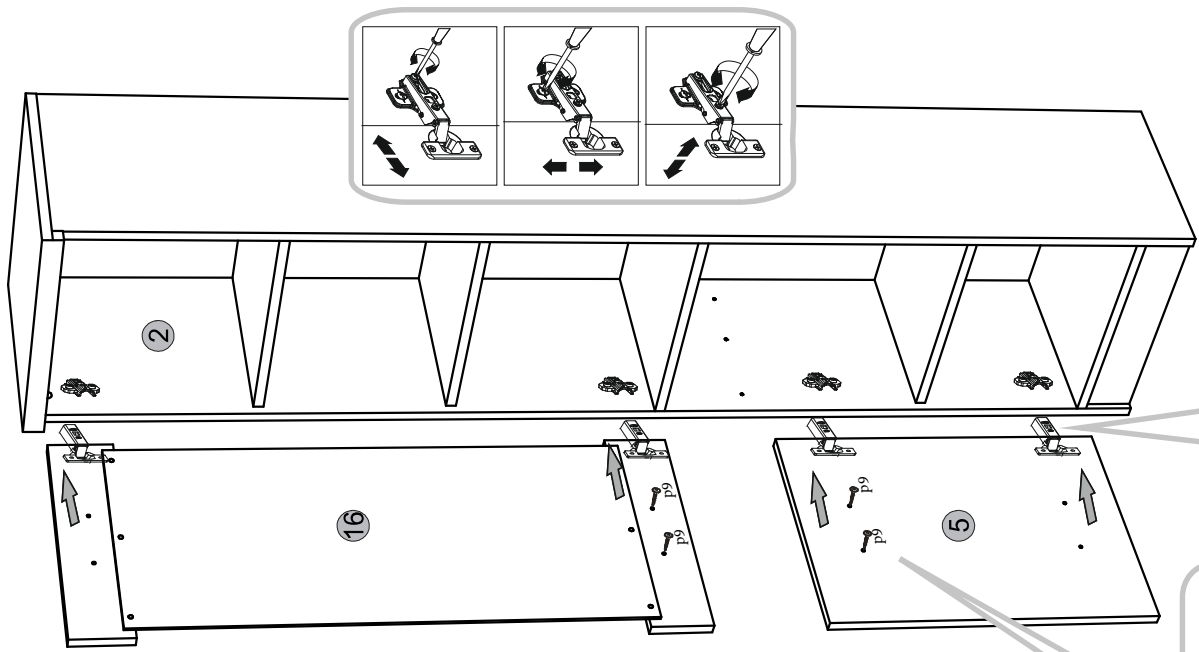
11



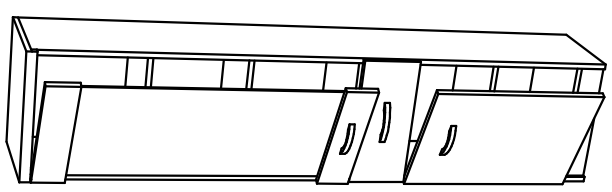
9

11





L



R

