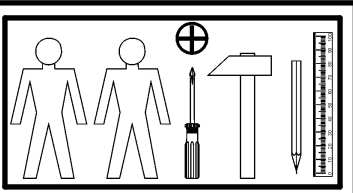
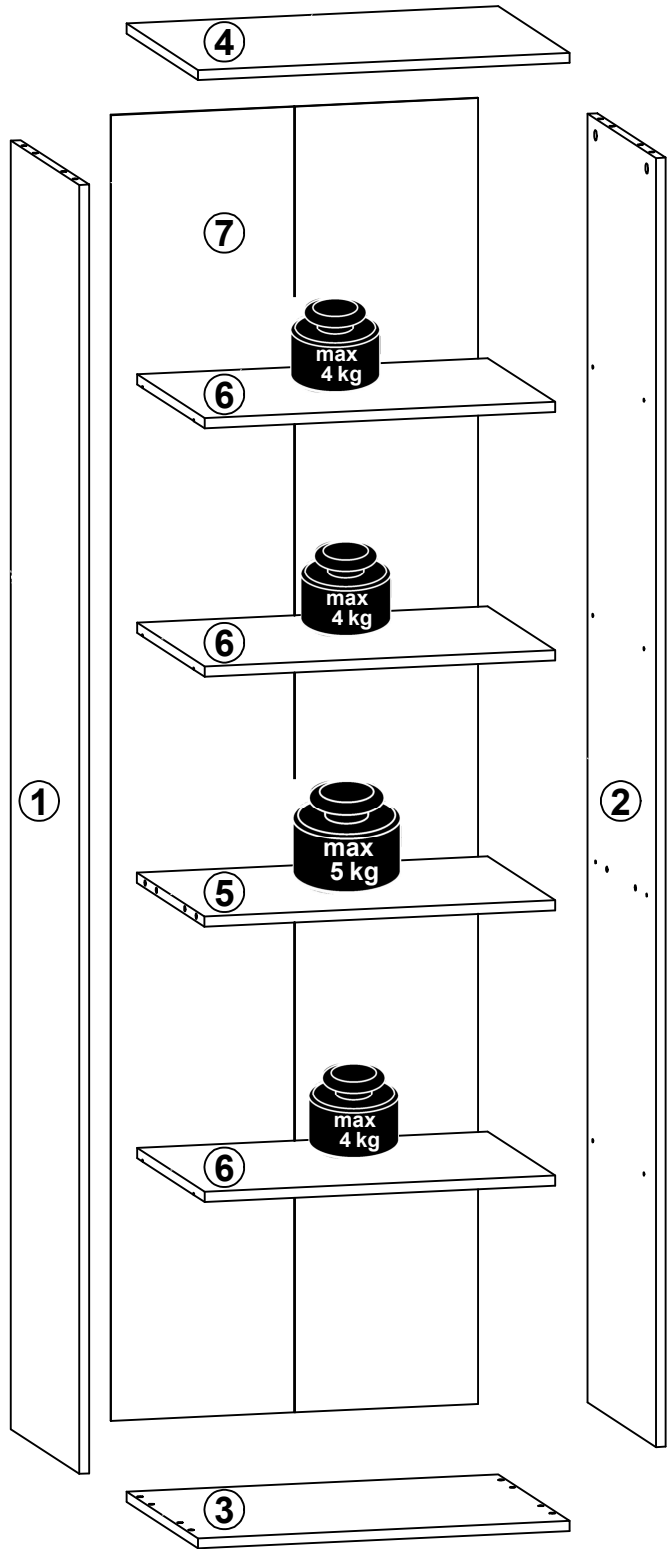
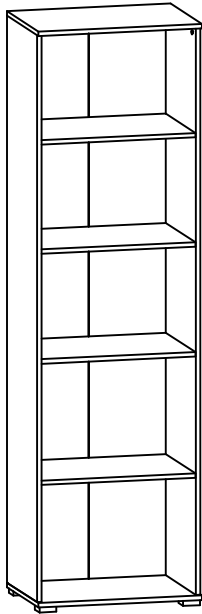


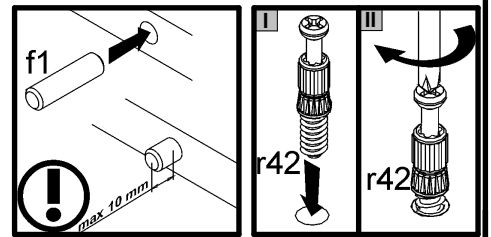
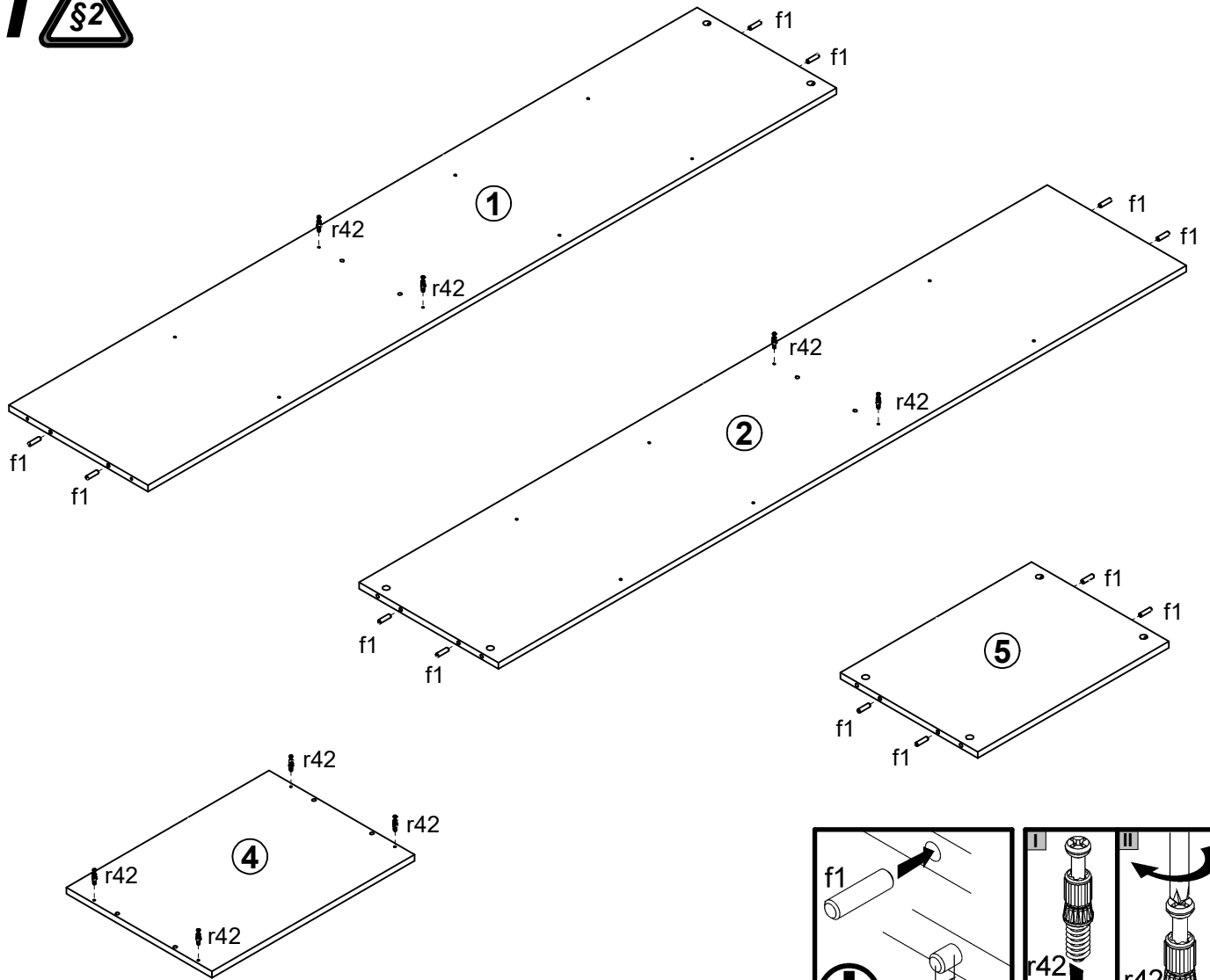
**A**

A	B	C	D	
1	S383-1033	1904	385	1/2
2	S383-1034	1904	385	1/2
3	S383-2007	560	403	2/2
4	S383-2008	560	403	2/2
5	S383-3002	529	380	2/2
6	S383-3019	528	380	2/2
7	S383-9304	1929	553	1/2

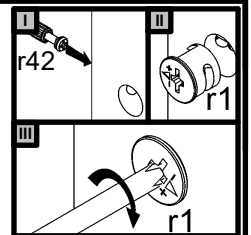
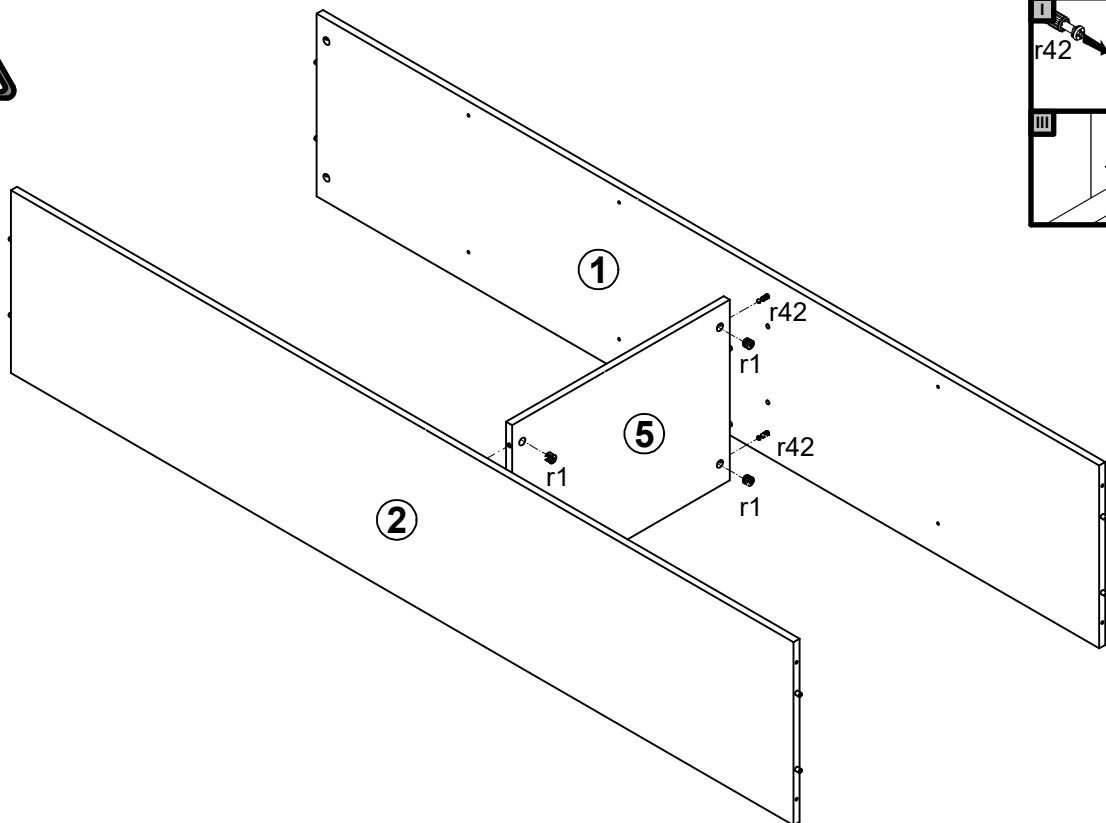


 12x Ø5x17 mm <b>d1</b>	 4x Ø7x50 mm <b>e1</b>	 8x Ø6x13 mm <b>e3</b>	 12x Ø8x30 mm <b>f1</b>	 4x Ø51 mm <b>k82/1</b>	 4x 58x58/18 mm <b>k82/2</b>	 60x 1.4x20 mm <b>l1</b>	 8x Ø15x12 mm #16 <b>r1</b>	 8x 20/11 <b>r42</b>
 4x Ø16 <b>s2</b>	 1x 4 mm <b>z1</b>							
							 1x <b>n26/1</b>	 1x Ø3.5x16 mm <b>p38</b>

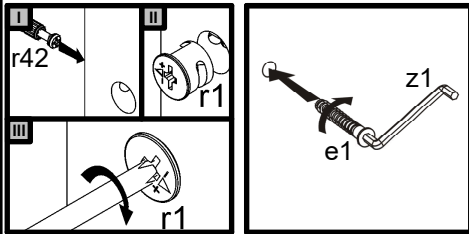
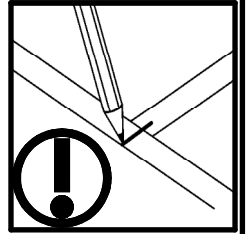
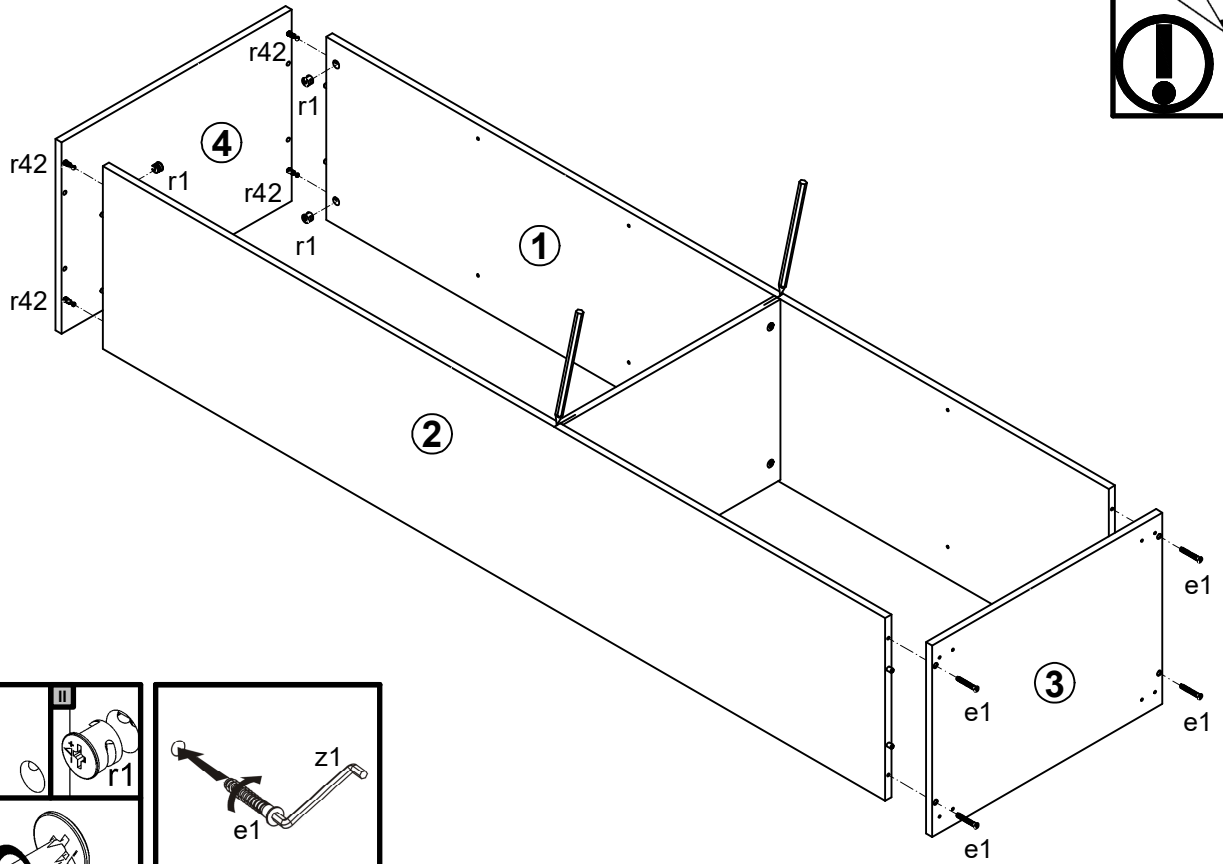
# 1



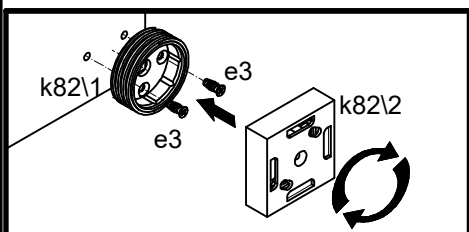
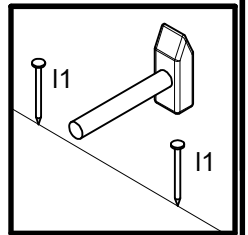
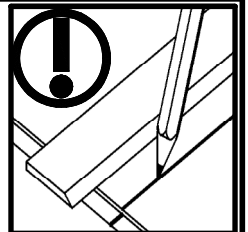
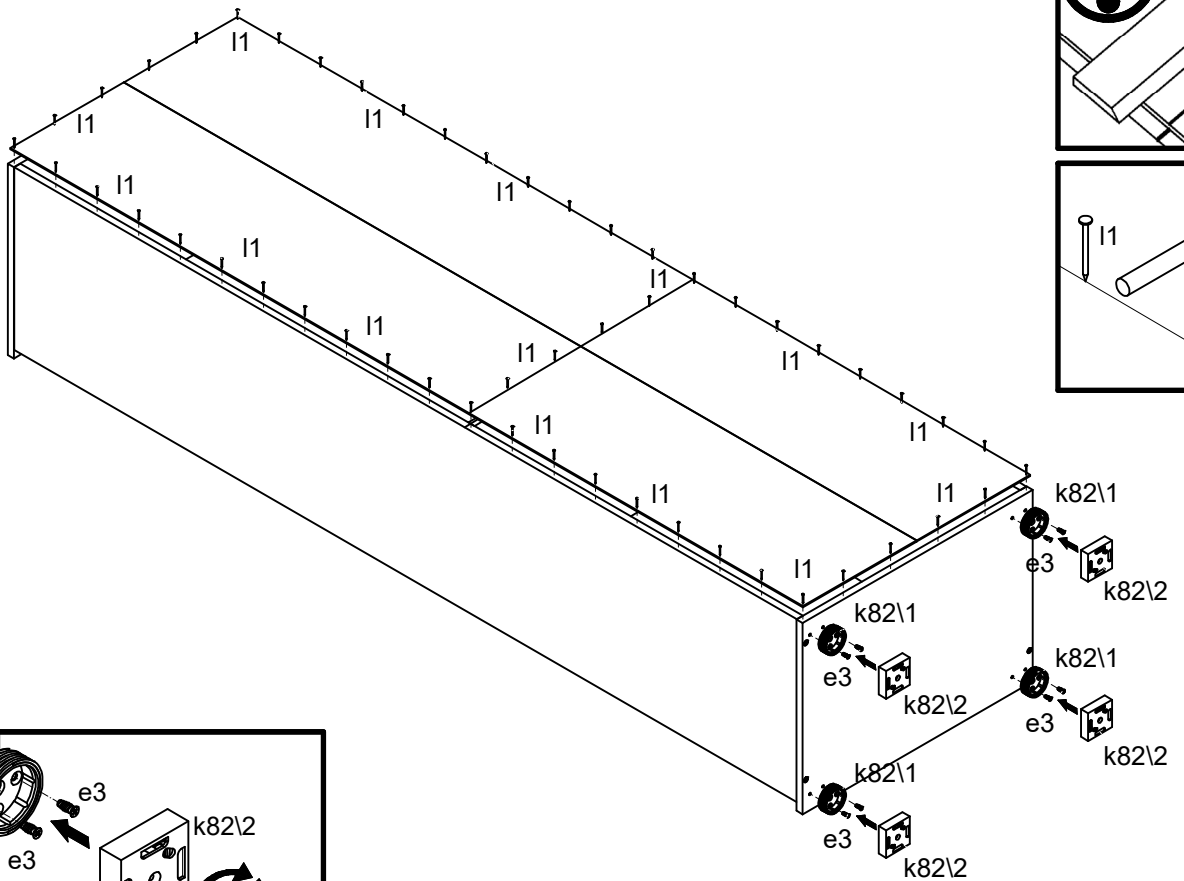
# 2



# 3



# 4



# 5

