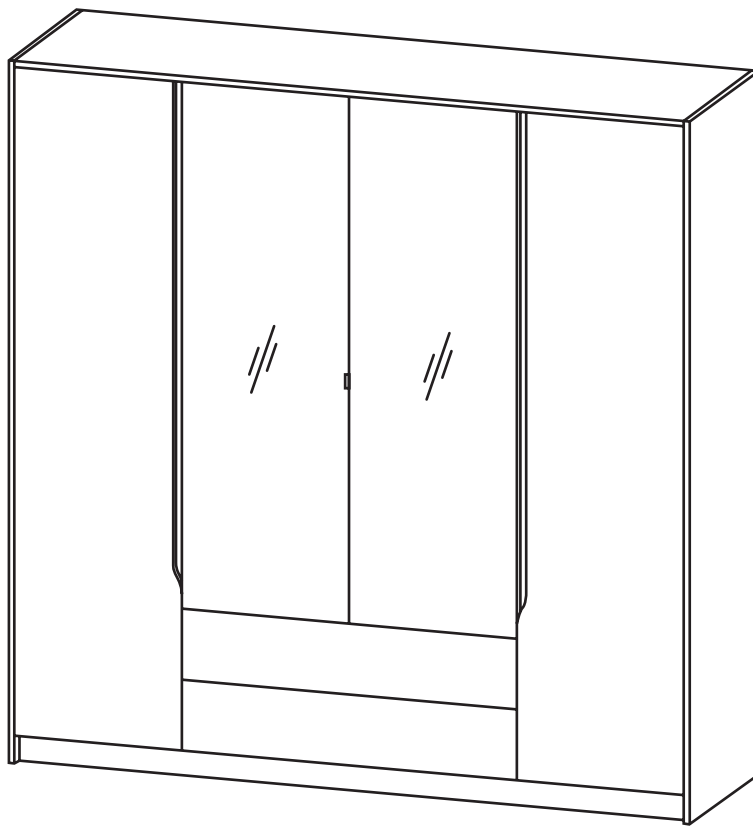


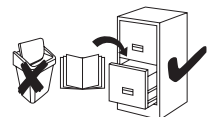
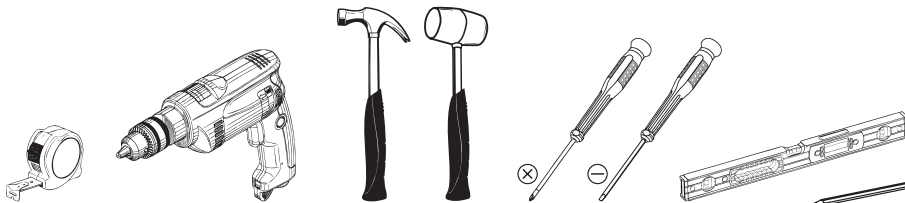
SEGA

A

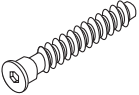

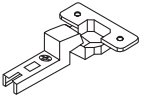
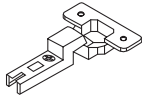
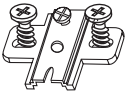
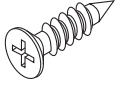




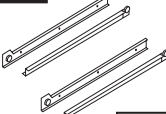
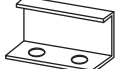
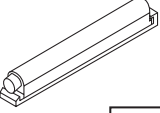
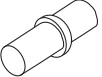

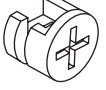



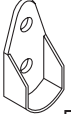

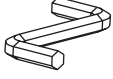


A - 2000 mm / 2020 mm / 570 mm

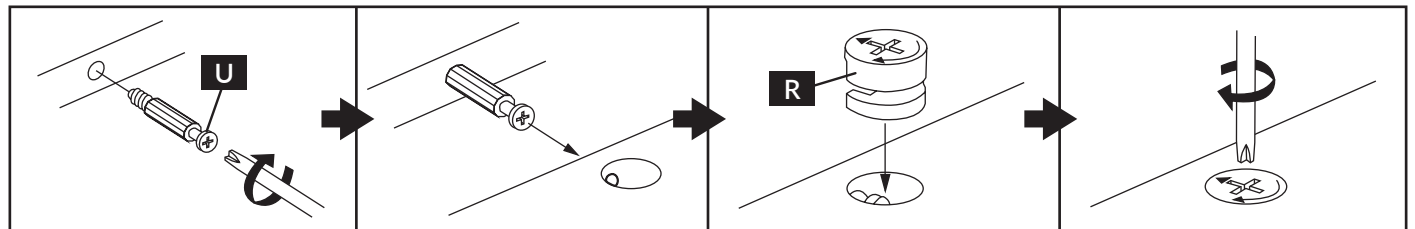
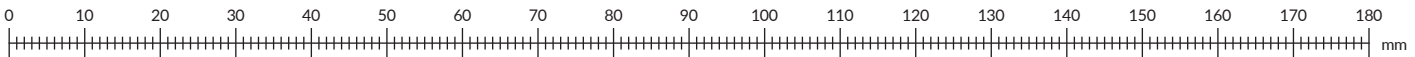
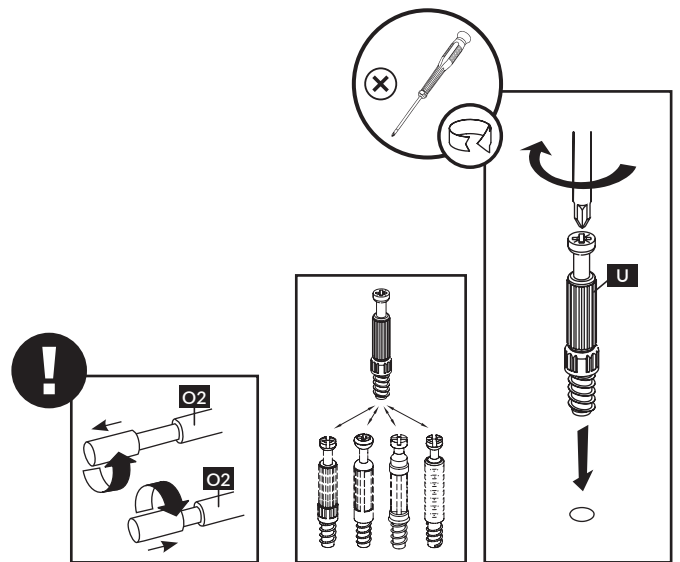


 300 min.



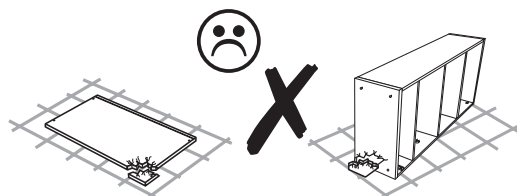
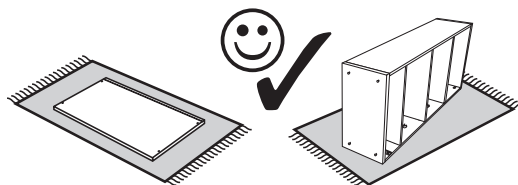
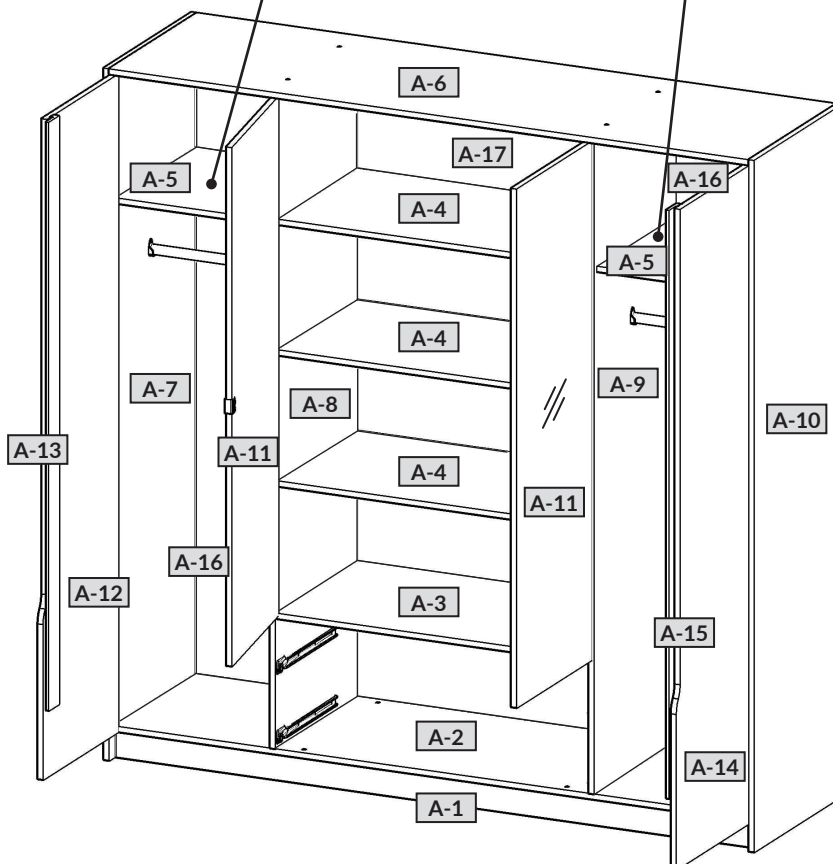
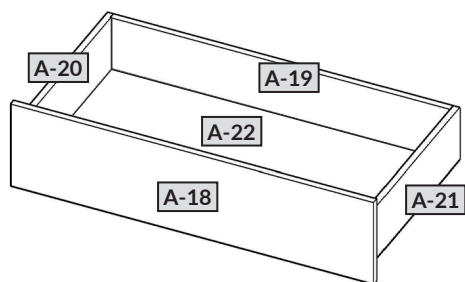
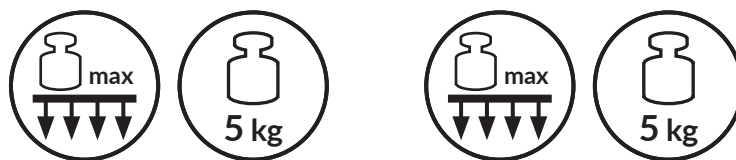
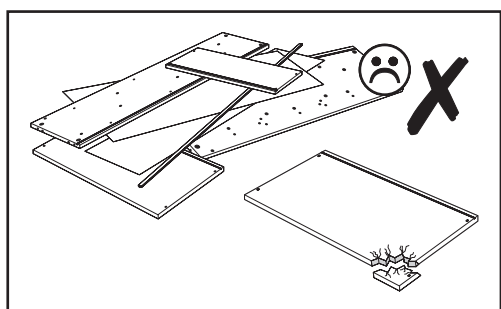
A:

A  7 x 50 mm x 12	B  8 x 32 mm x 52	C2  (Z) x 6	C3  (B) x 4	DT  x 10	E  3,5 x 13 mm x 38
E2  3 x 20 mm x 68	E8  4 x 25 mm x 6	G2  x 10	H1  x 12	K  L=450 mm x 2	M  x 1
O2  x 2	P  x 12	Q2  Ø 20 x 20	R  H=11 mm x 20	T3  5 x 9 mm x 8	U  L=24,3 mm x 20
V  L=478 mm x 2	V7  x 4	W14  x 2	XA  x 1	XG  GLUE x 2	ZR  Ø 15 x 8



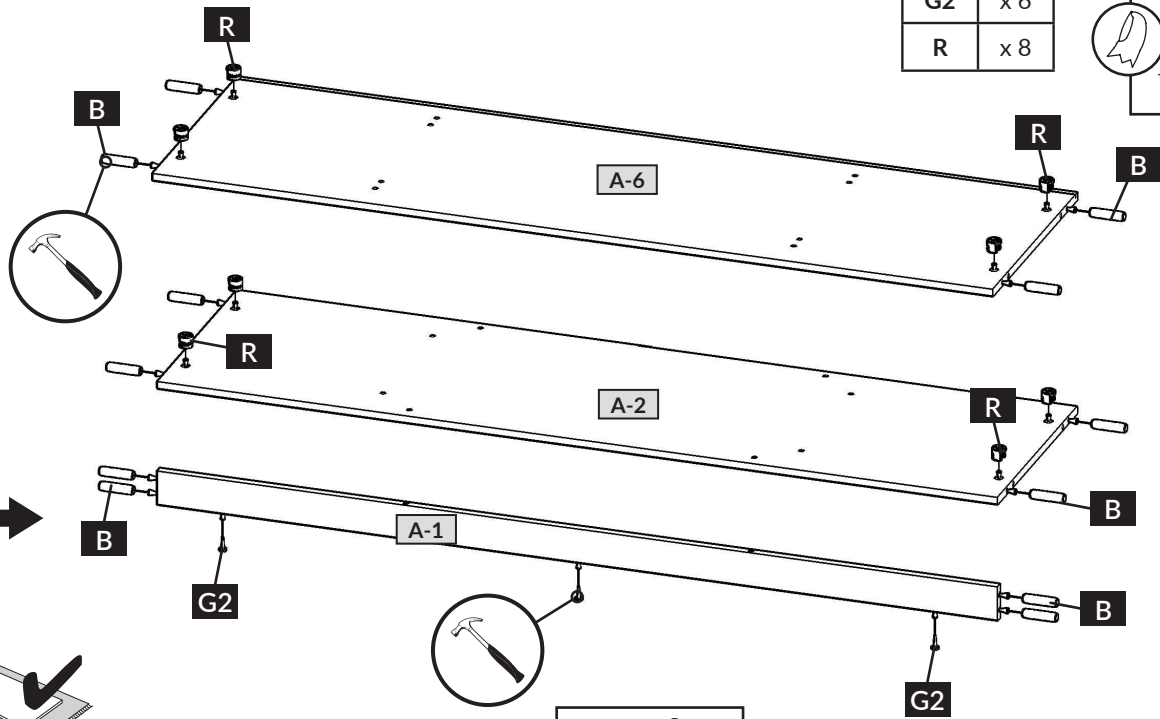
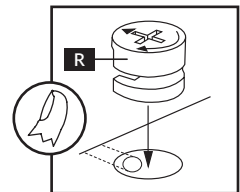
1	A-1	1968 / 80 / 16 mm	x 2
2	A-2	1968 / 535 / 16 mm	x 1
3	A-3	964 / 535 / 16 mm	x 1
4	A-4	964 / 519 / 16 mm	x 3
5	A-5	486 / 519 / 16 mm	x 2
6	A-6	1968 / 570 / 16 mm	x 1
7	A-7	2016 / 570 / 16 mm	x 1
8	A-8	1904 / 535 / 16 mm	x 1
9	A-9	1904 / 535 / 16 mm	x 1
10	A-10	2016 / 570 / 16 mm	x 1
11	A-11	488 / 1511 / 16 mm	x 2
12	A-12	488 / 1917 / 16 mm	x 1

13	A-13	1550 / 65 / 17 mm	x 1
14	A-14	488 / 1917 / 16 mm	x 1
15	A-15	1550 / 65 / 17 mm	x 1
16	A-16	1927 / 500 / 3 mm	x 2
17	A-17	1927 / 980 / 3 mm	x 1
18	A-18	980 / 200 / 16 mm	x 2
19	A-19	907 / 120 / 16 mm	x 2
20	A-20	450 / 120 / 16 mm	x 2
21	A-21	450 / 120 / 16 mm	x 2
22	A-22	937 / 456 / 3 mm	x 2

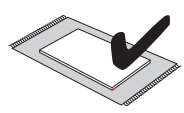


A / 1

B	x 16
G2	x 6
R	x 8

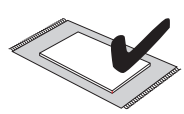
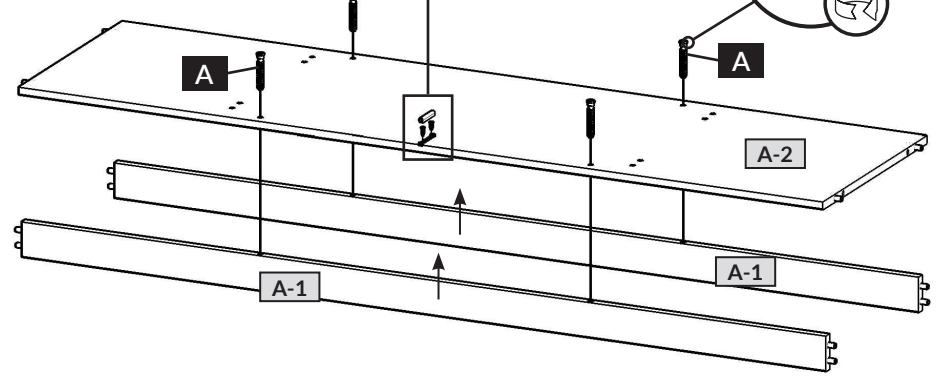
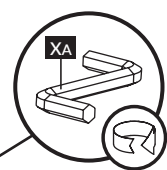
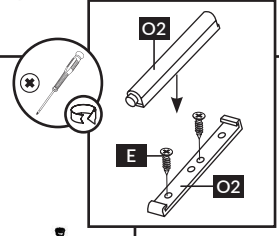


2x →



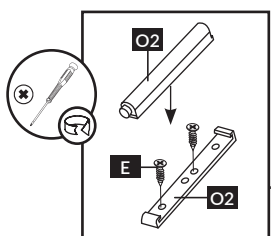
A / 2

A	x 4
E	x 2
O2	x 1
XA	x 1

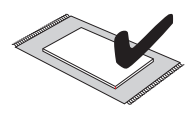
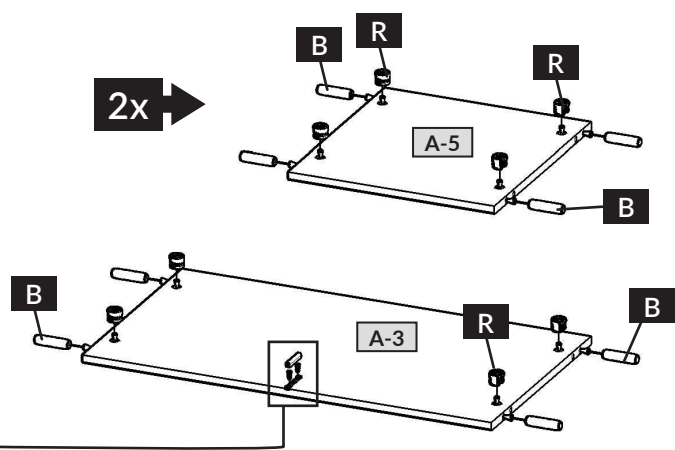
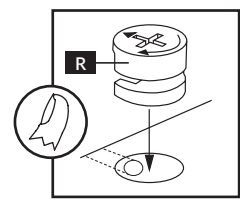


A / 3

B	x 12
E	x 2
O2	x 1
R	x 12

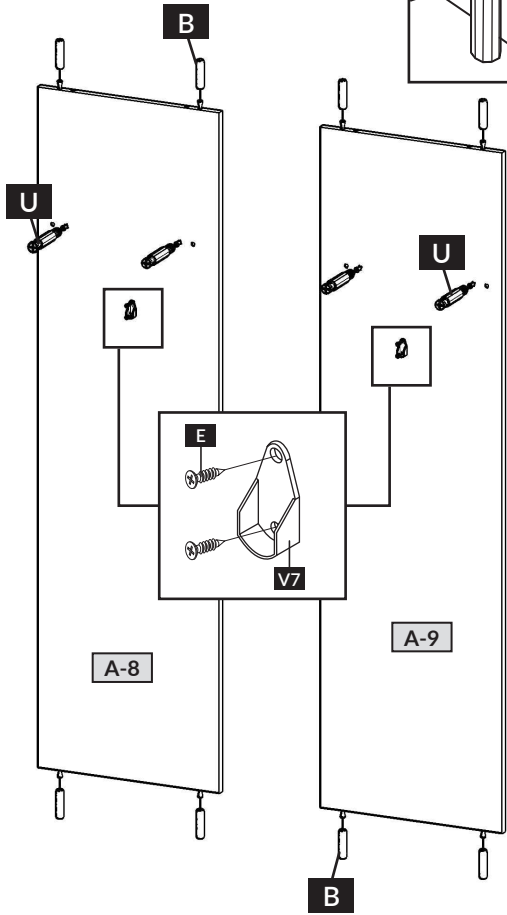
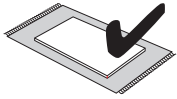
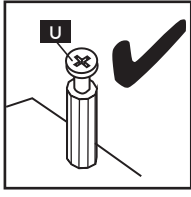
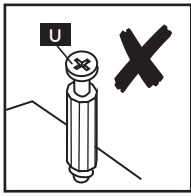


2x →



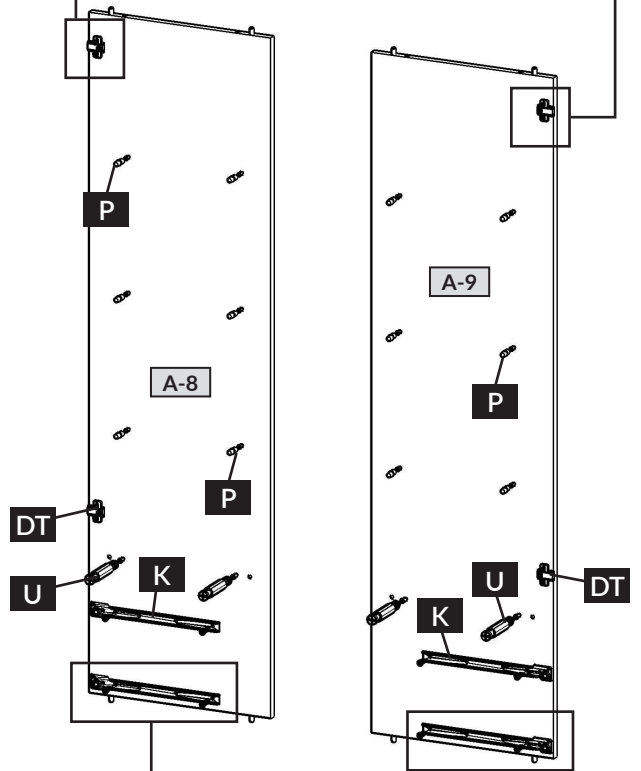
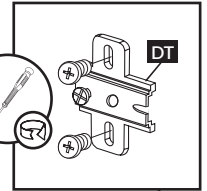
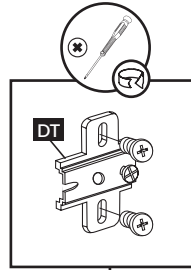
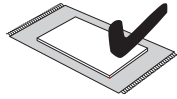
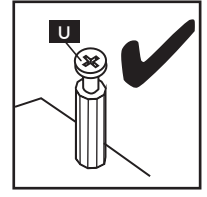
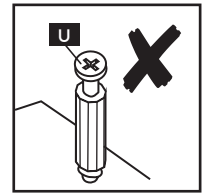
A / 4

B	x 8
E	x 4
U	x 4
V7	x 2

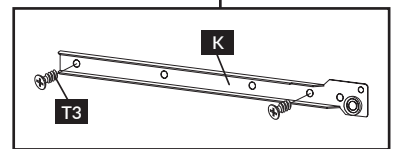
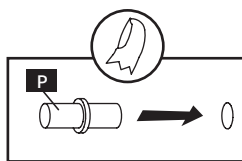
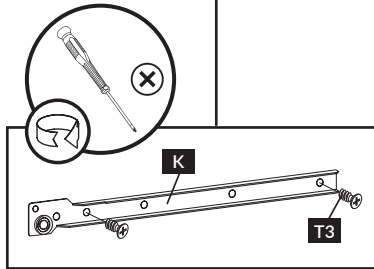
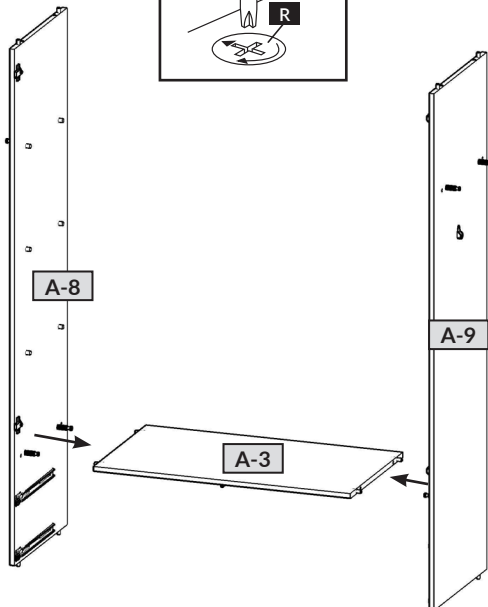
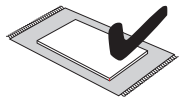
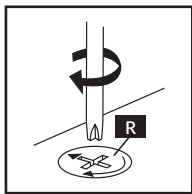


A / 5

DT	x 4
K	x 2
P	x 12
T3	x 8
U	x 4

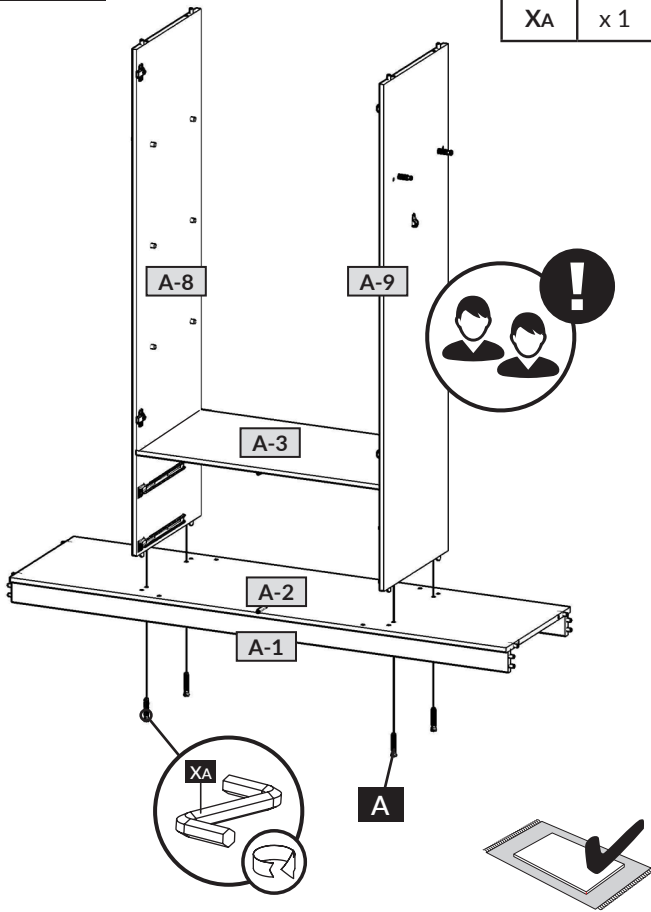


A / 6



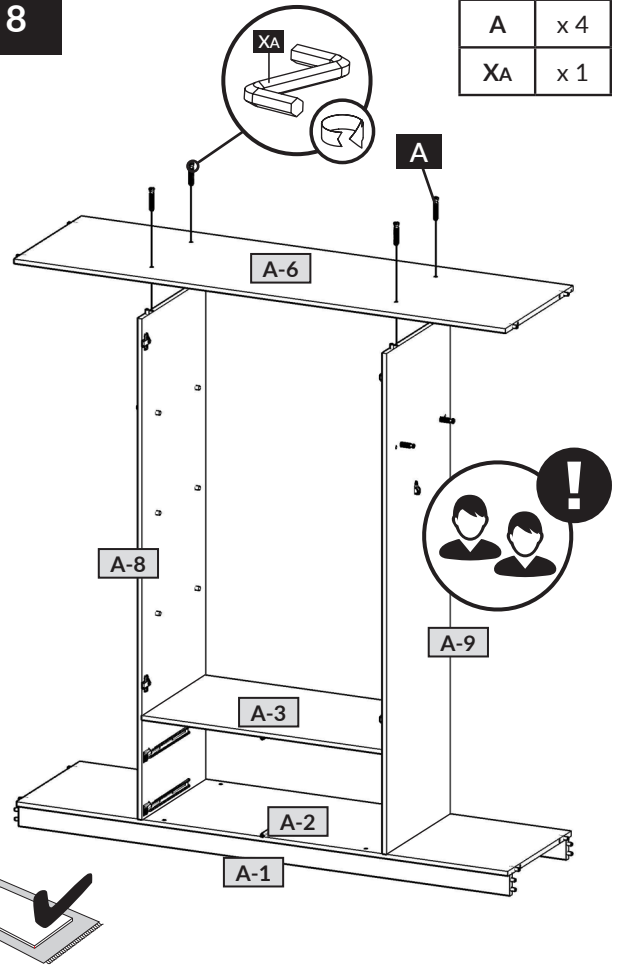
A/7

A	x 4
XA	x 1

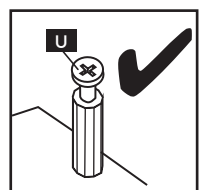
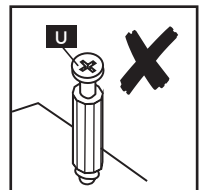
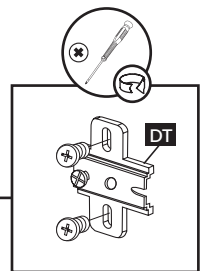
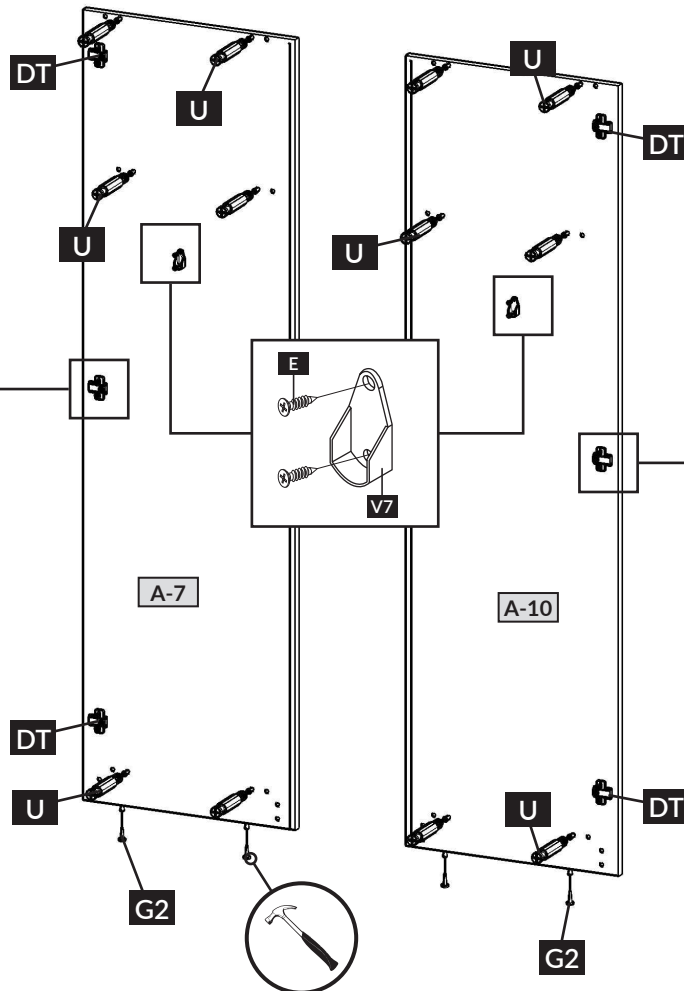
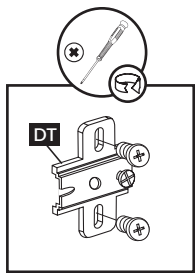


A/8

A	x 4
XA	x 1

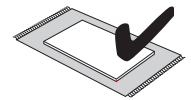
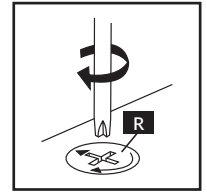
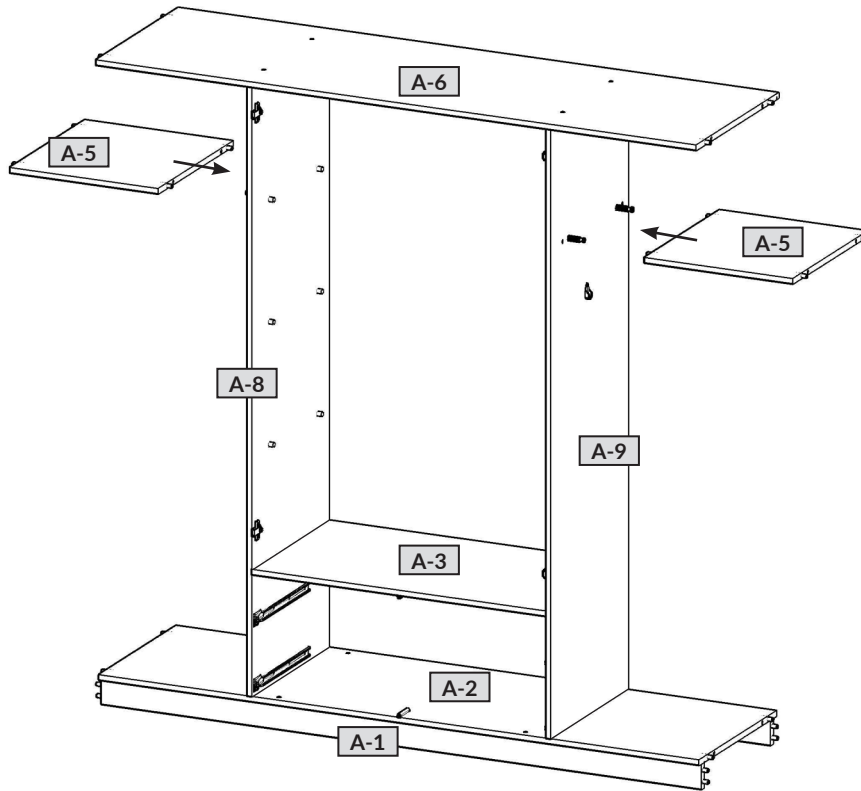


A/9

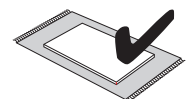
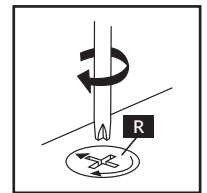
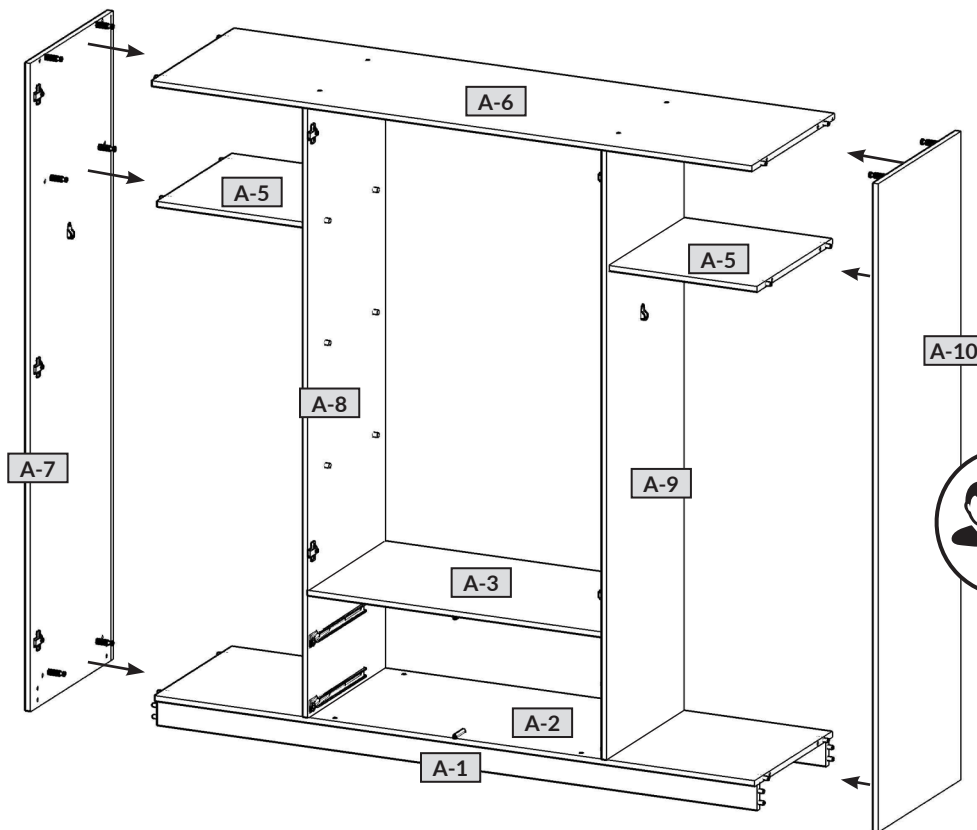


DT	x 6
E	x 4
G2	x 4
U	x 12
V7	x 2

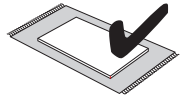
A / 10



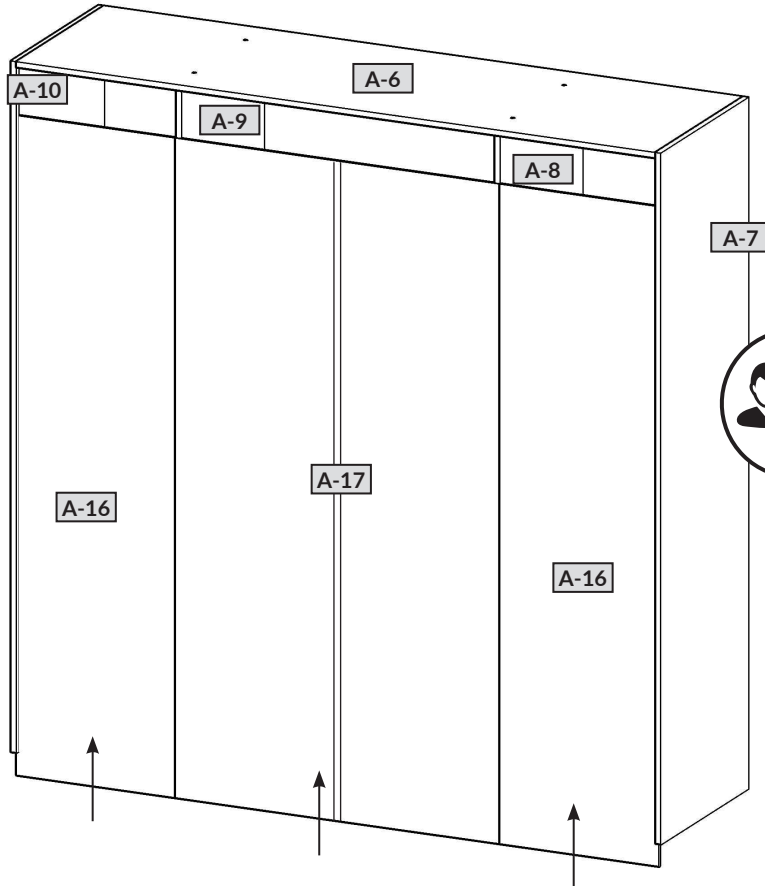
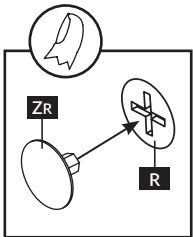
A / 11



A / 12

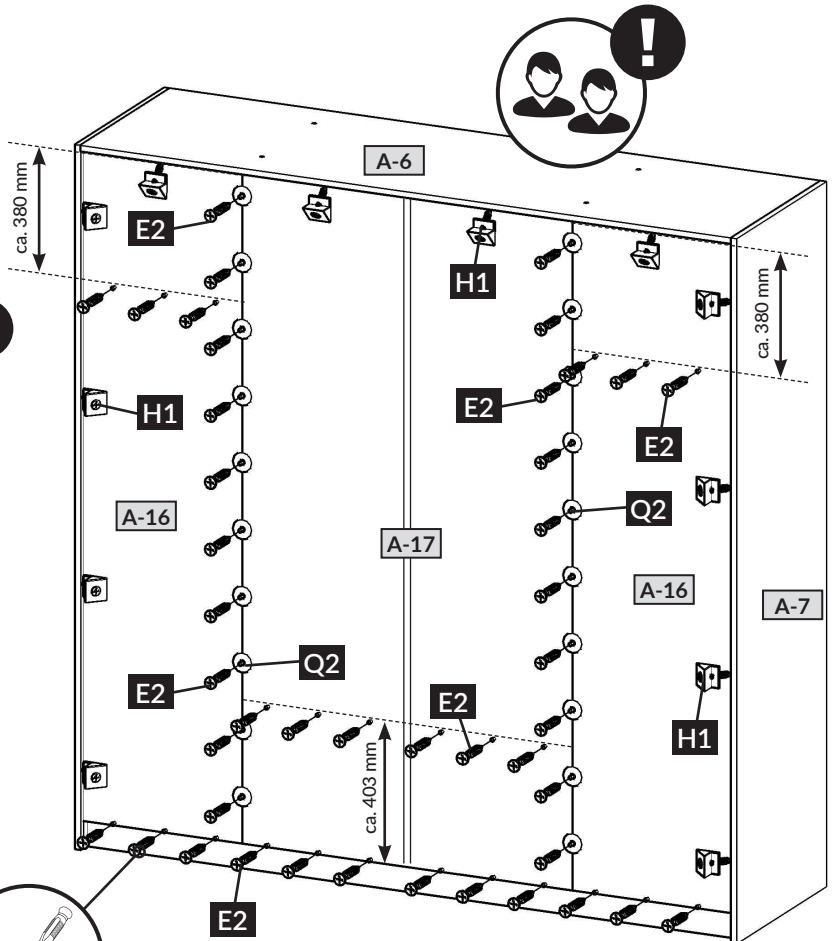
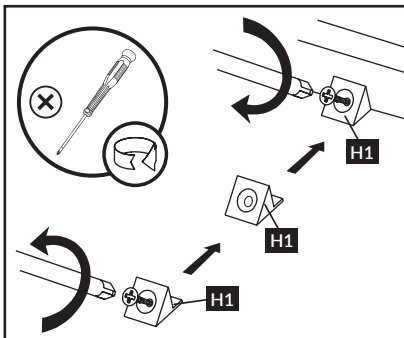
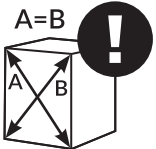
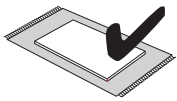


ZR	x 8
----	-----

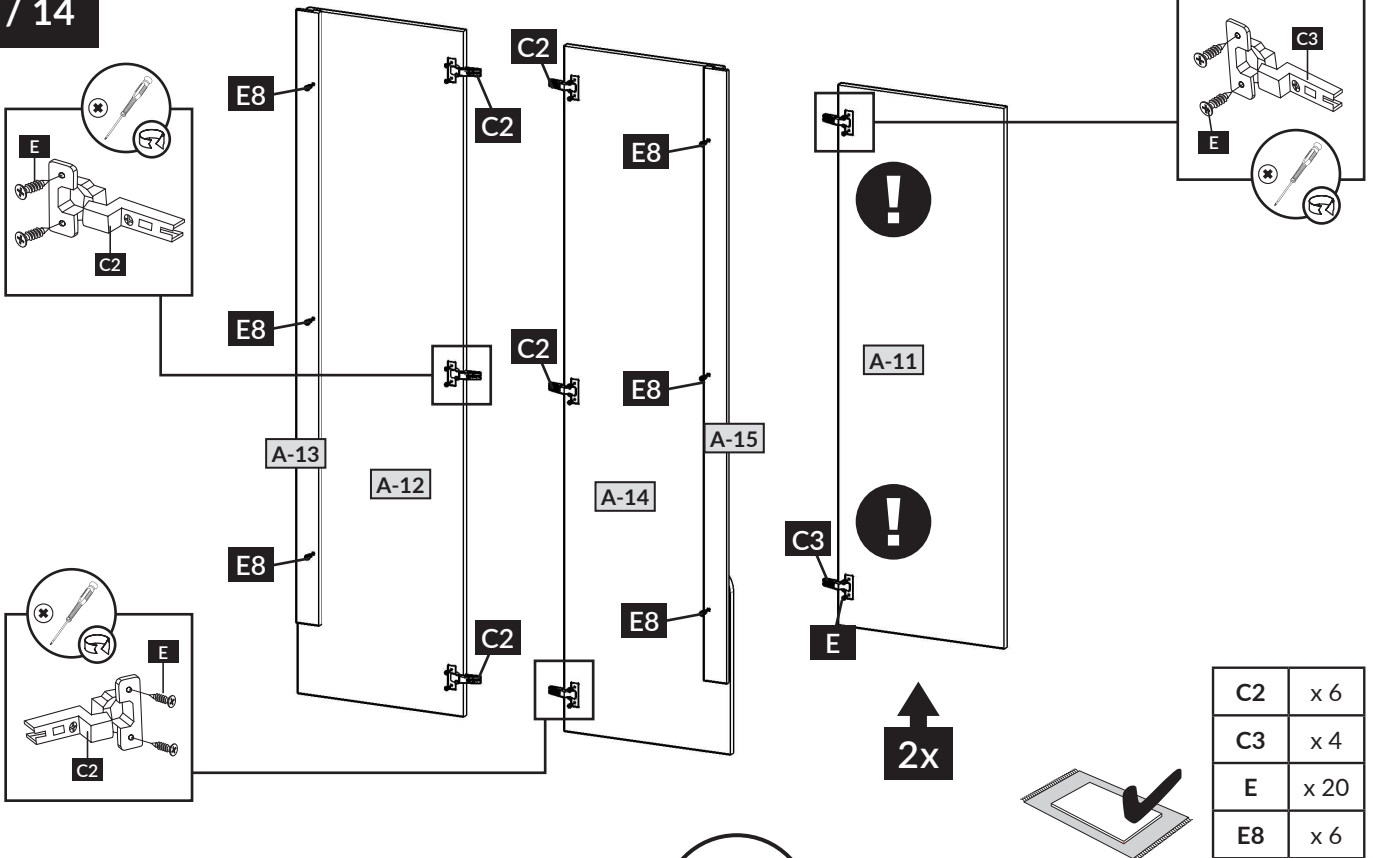


A / 13

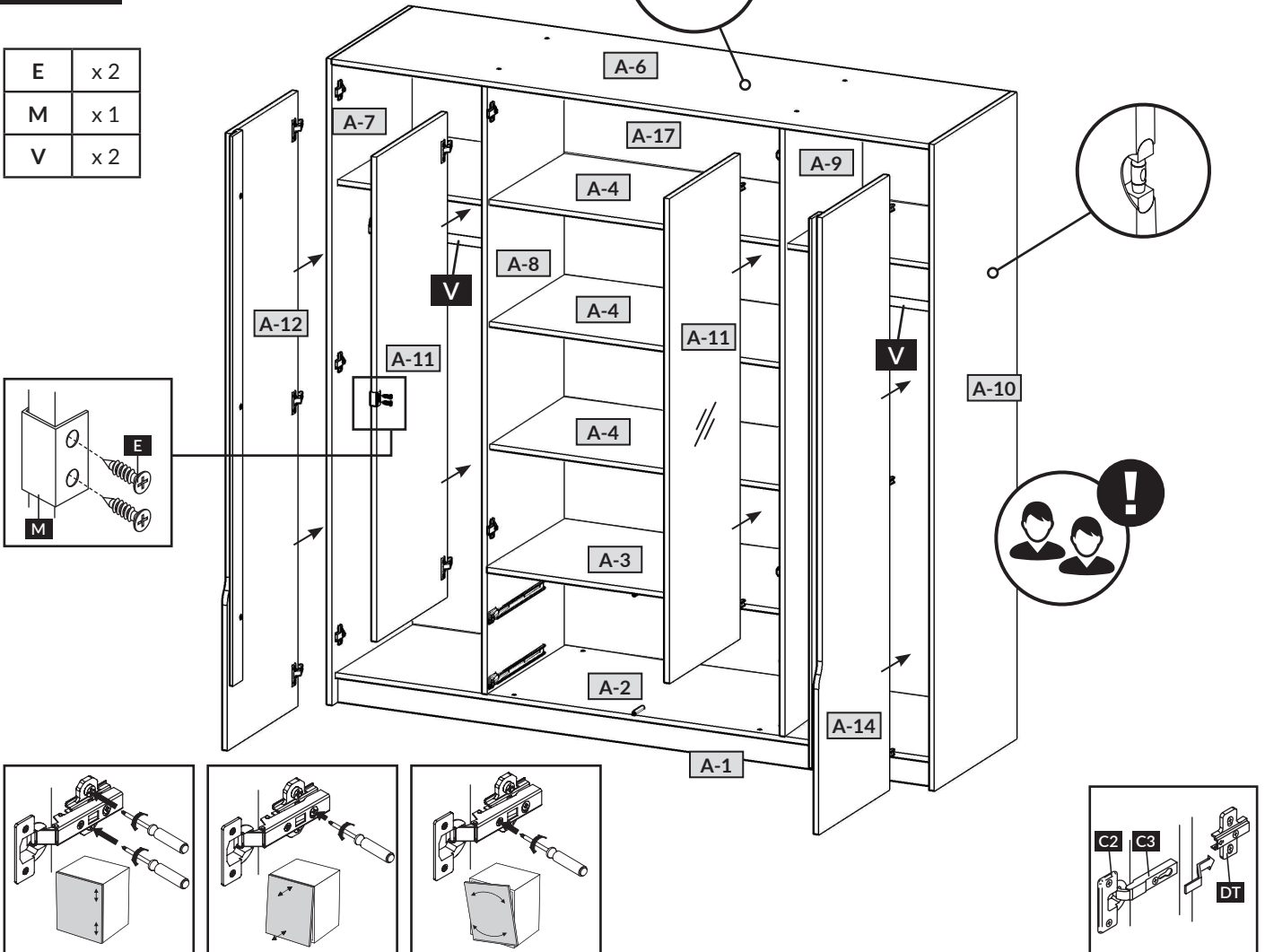
E2	x 44
H1	x 12
Q2	x 20



A / 14

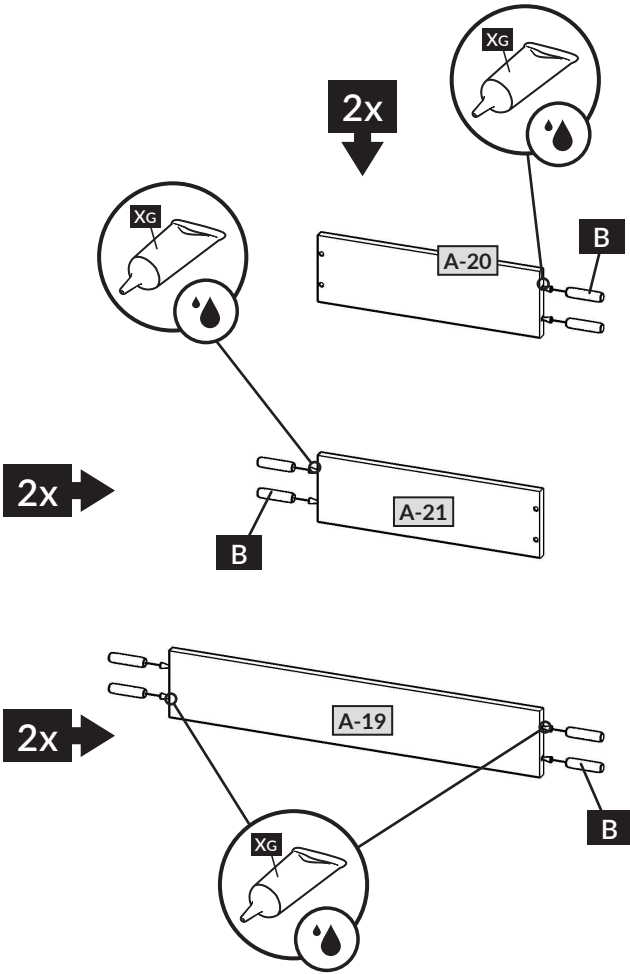
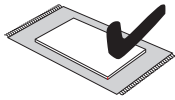


A / 15



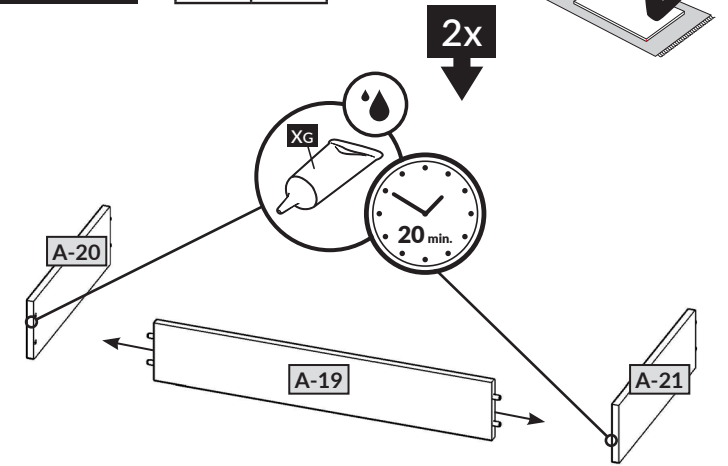
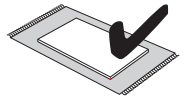
A / 16

B x 16



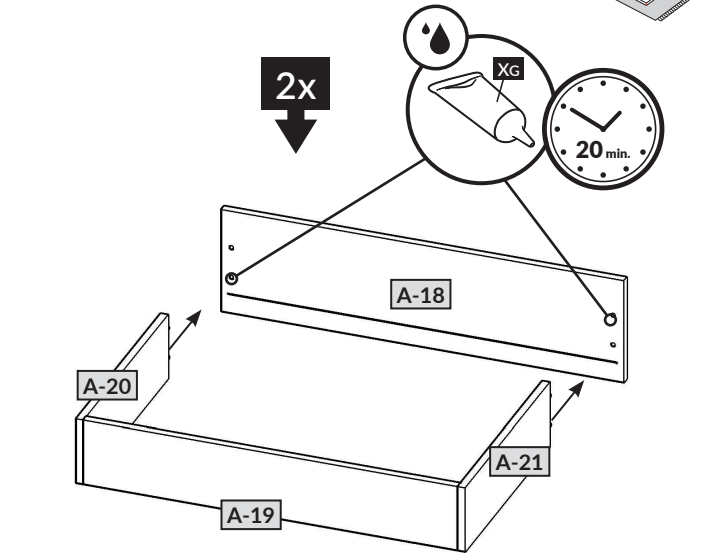
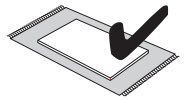
A / 17

XG x 1

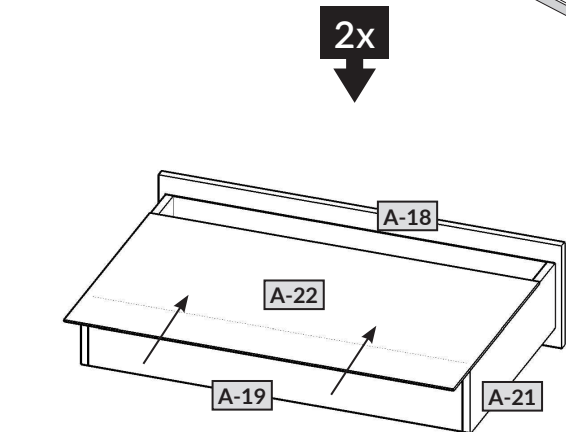
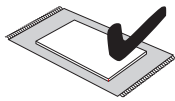


A / 18

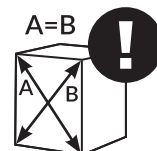
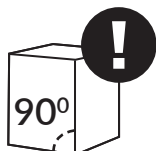
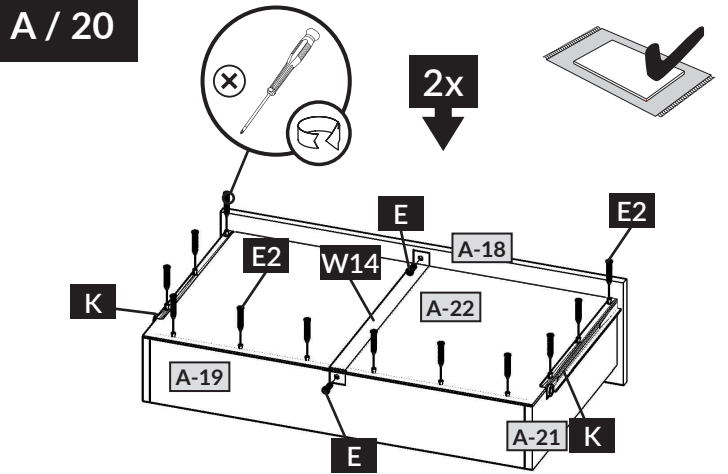
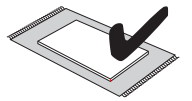
XG x 1



A / 19



A / 20



E	x 4
E2	x 24
K	x 2
W14	x 2