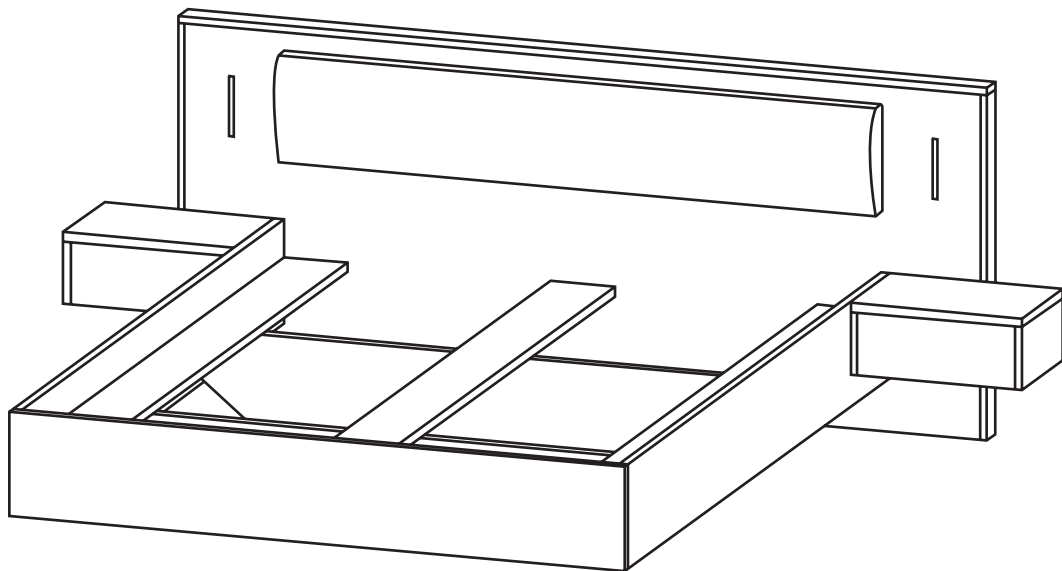


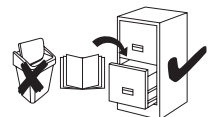
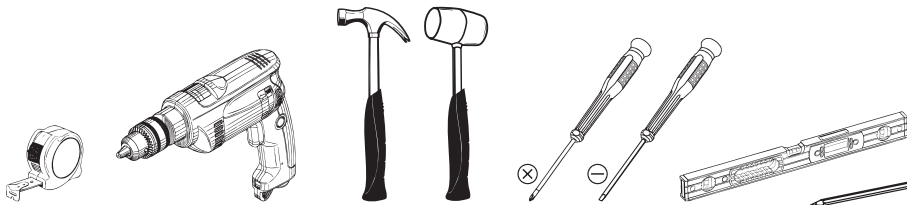
SEGA

C

C - 2160 mm / 920 mm / 2080 mm

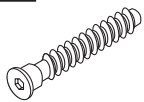
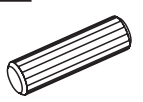

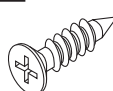
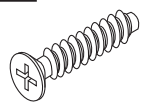

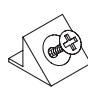
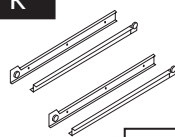
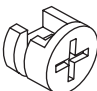
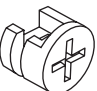
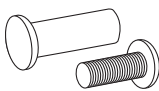
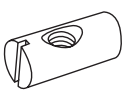
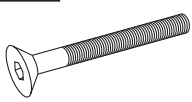
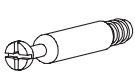

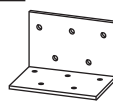
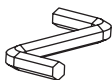



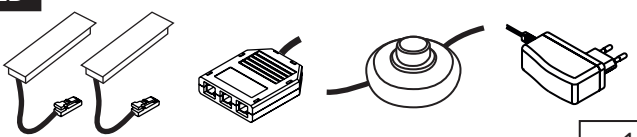


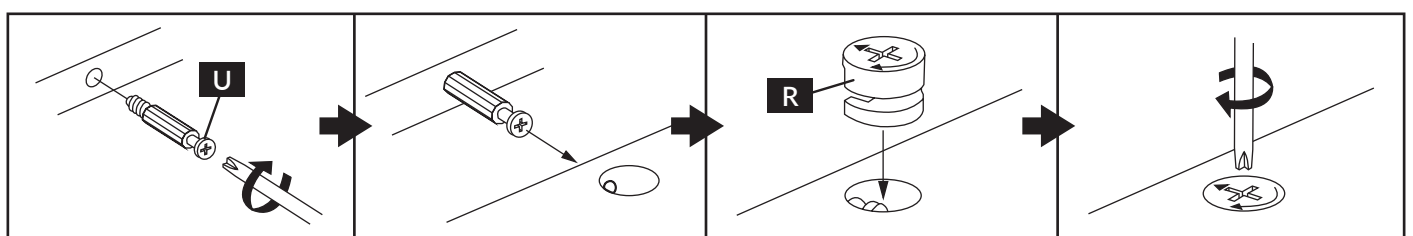
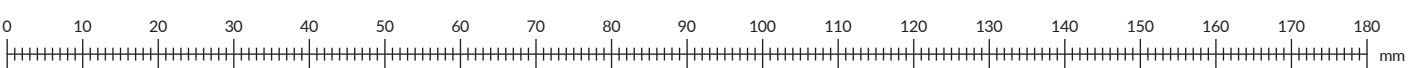
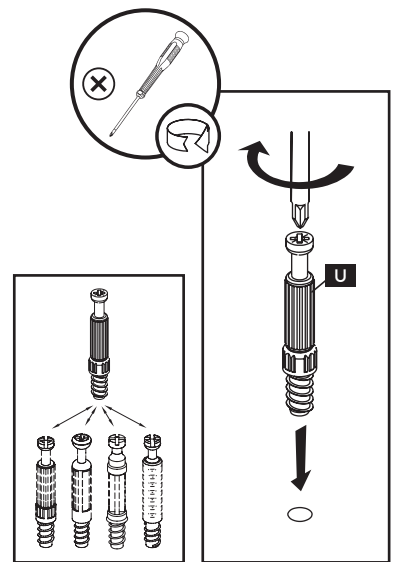
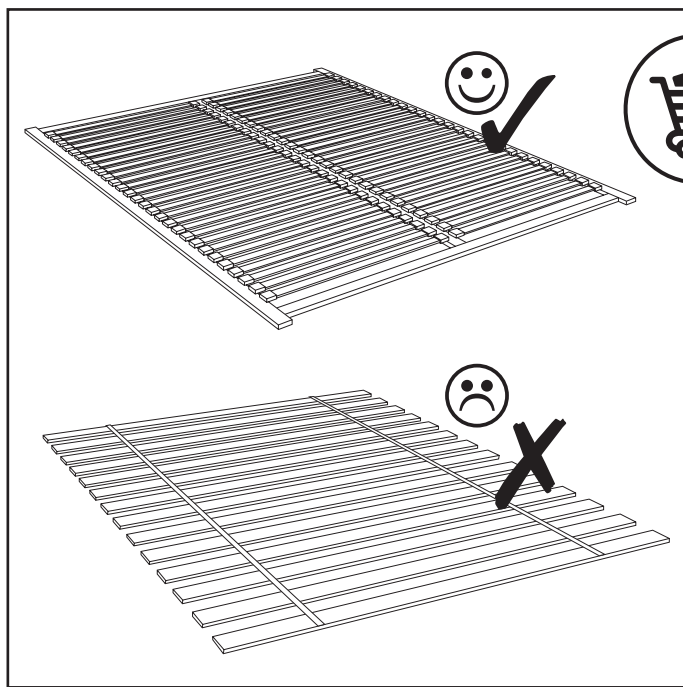
 250 min.



SEGA - C - 1

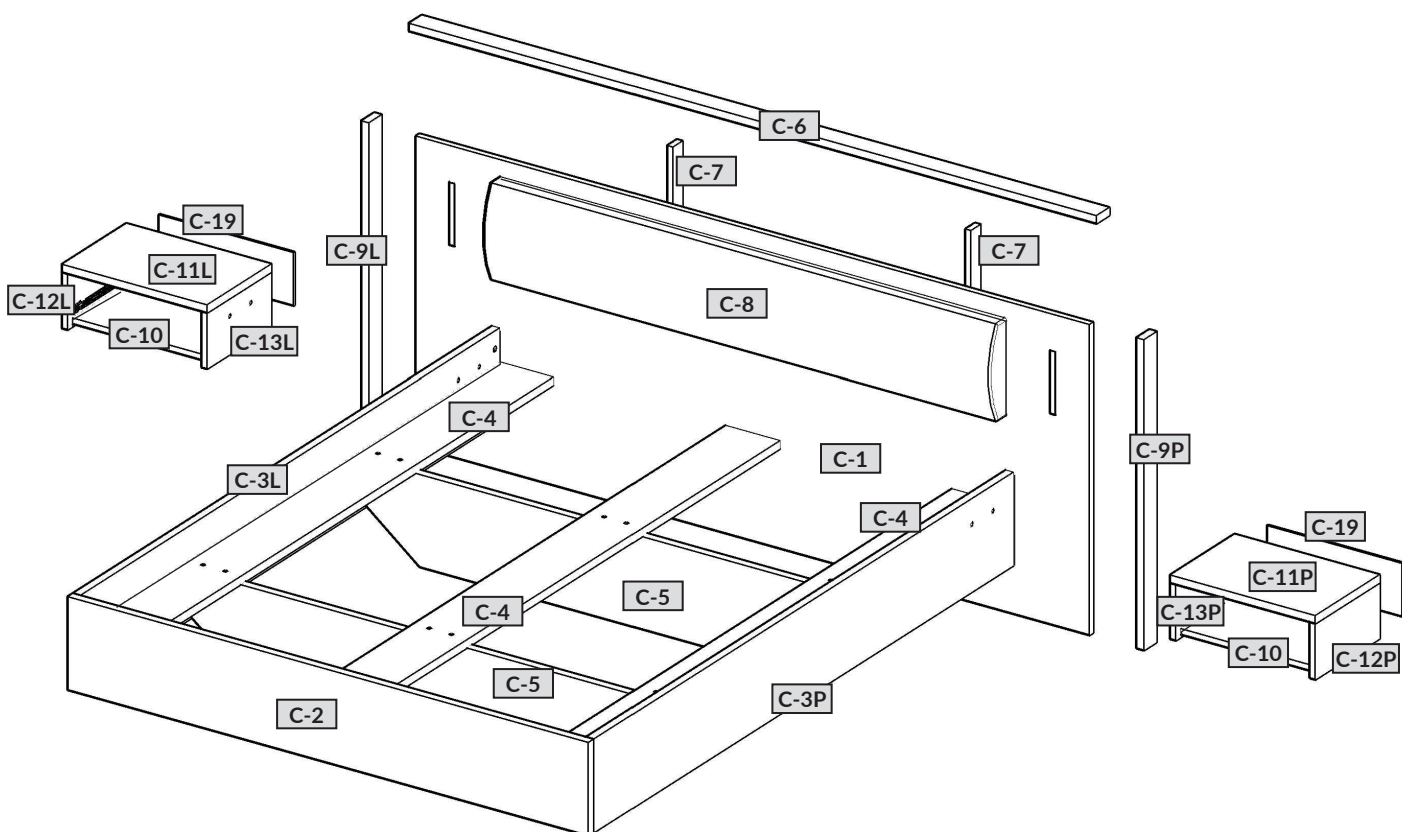
C:

A  7 x 50 mm x 20	B  8 x 32 mm x 64	E2  3 x 20 mm x 18	E5  4 x 16 mm x 24	EM6  6 x 40 mm x 6	G2  x 8
H1  x 4	K  L=250 mm x 2	R  H=11 mm x 26	R1  H=15 mm x 8	RA  x 4	RRa  x 4
RRb  6 x 55 x 4	U  L=24,3 mm x 34	T3  5 x 9 mm x 8	W9  x 3	XA  x 1	XG  GLUE x 1
ZA  Ø 4 x 18	ZR  Ø 15 x 12	LED  x 1			

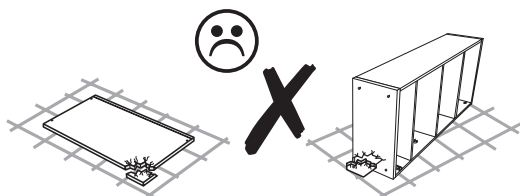
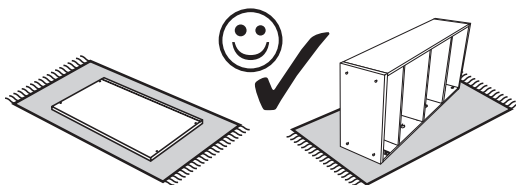
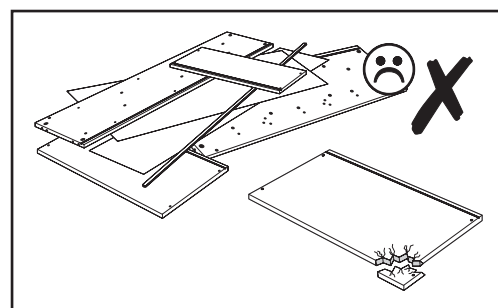
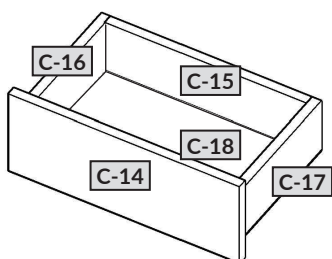


1	C-1	2126 / 900 / 16 mm	x 1
2	C-2	1644 / 270 / 22 mm	x 1
3	C-3 L/P	2000 / 270 / 22 mm	x 2
4	C-4	2000 / 170 / 16 mm	x 3
5	C-5	1600 / 268 / 22 mm	x 2
6	C-6	2170 / 60 / 22 mm	x 1
7	C-7	900 / 44 / 16 mm	x 2
8	C-8	1600 / 280 / 75 mm	x 1
9	C-9 L/P	900 / 60 / 22 mm	x 2
10	C-10	425 / 248 / 16 mm	x 2

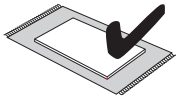
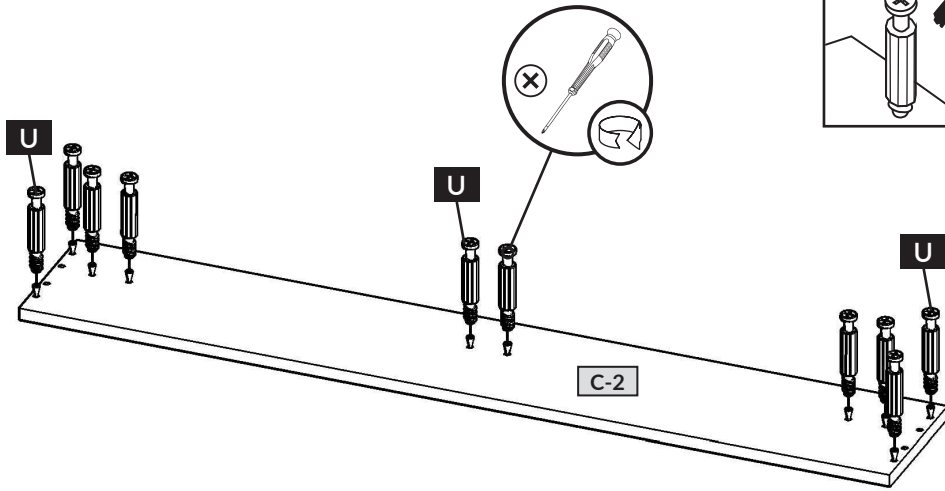
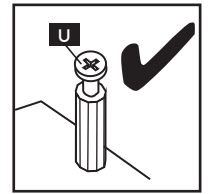
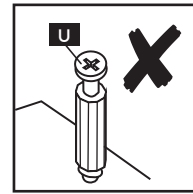
11	C-11 L/P	458 / 305 / 22 mm	x 2
12	C-12 L/P	305 / 162 / 16 mm	x 2
13	C-13 L/P	305 / 162 / 16 mm	x 2
14	C-14	421 / 160 / 16 mm	x 2
15	C-15	368 / 100 / 16 mm	x 2
16	C-16	250 / 100 / 16 mm	x 2
17	C-17	250 / 100 / 16 mm	x 2
18	C-18	398 / 256 / 3 mm	x 2
19	C-19	439 / 160 / 3 mm	x 2



2x

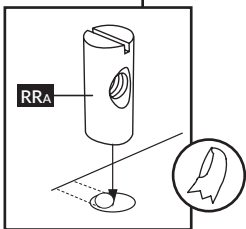
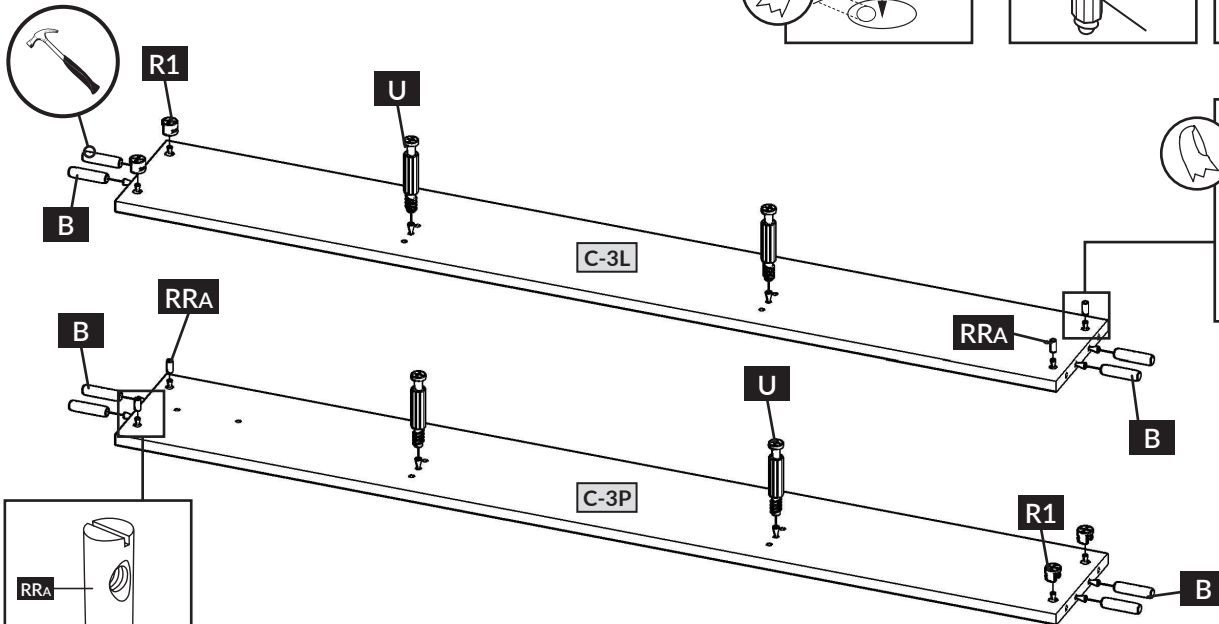
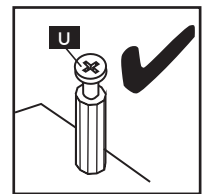
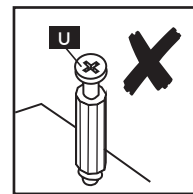
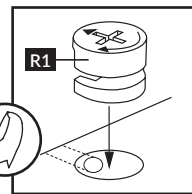
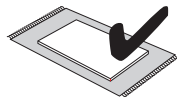


C / 1



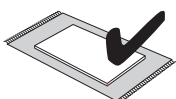
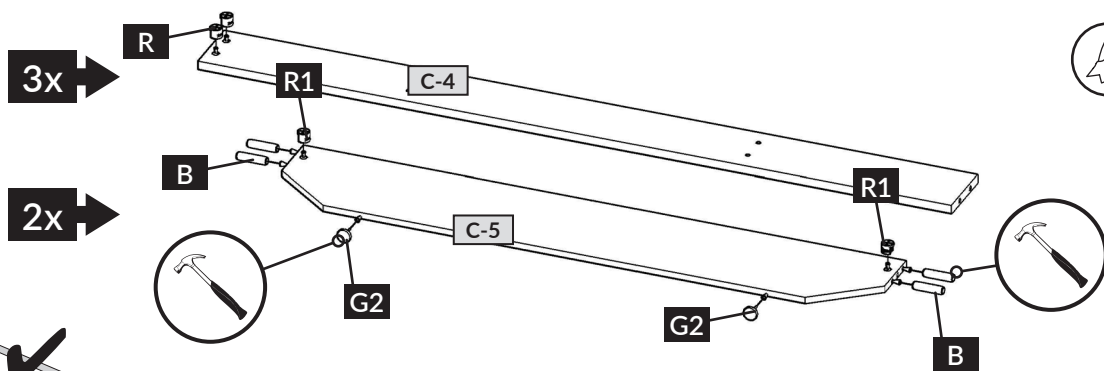
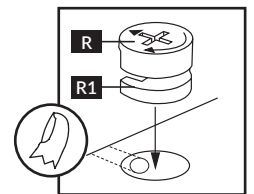
U	x 10
---	------

C / 2



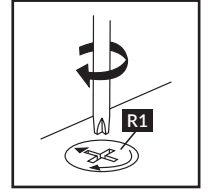
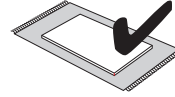
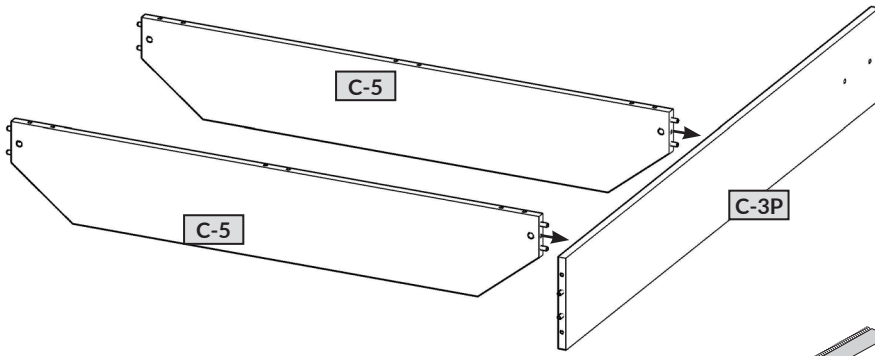
B	x 8
R1	x 4
RRA	x 4
U	x 4

C / 3

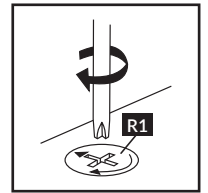
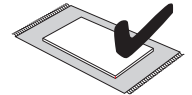
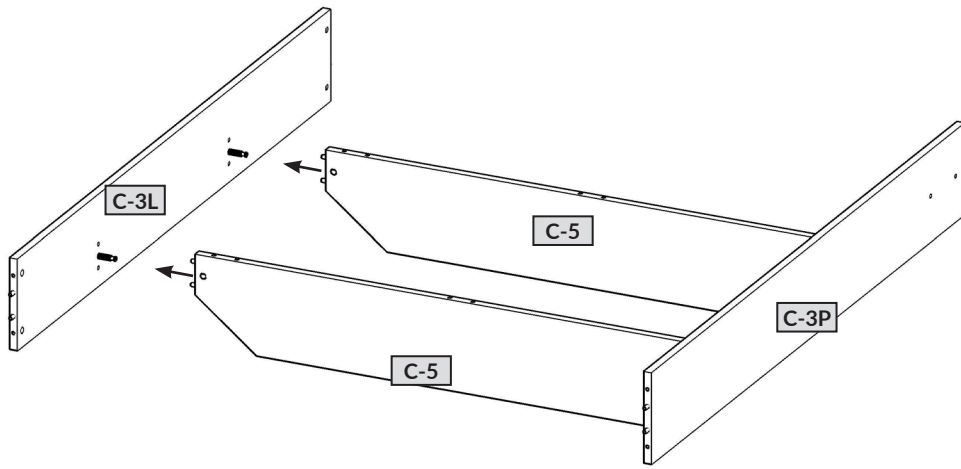


B	x 8
G2	x 4
R	x 6
R1	x 4

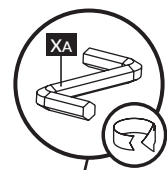
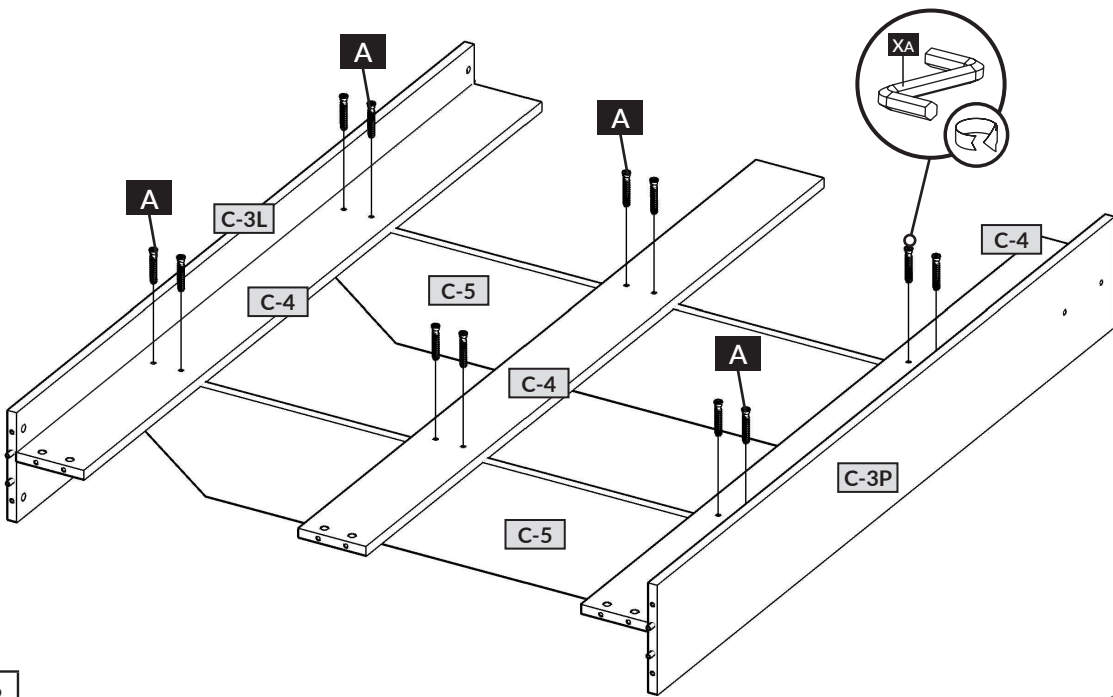
C / 4



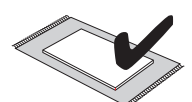
C / 5



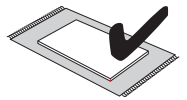
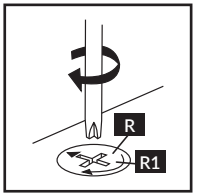
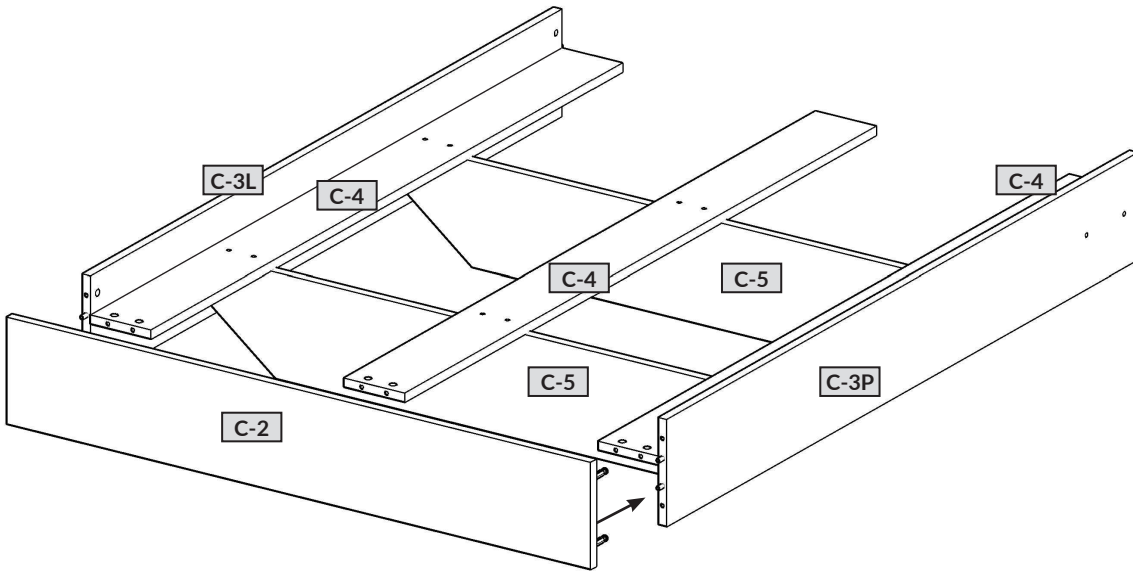
C / 6



A	x 12
XA	x 1

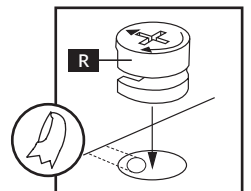
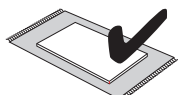
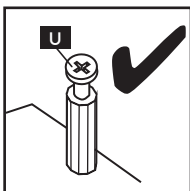
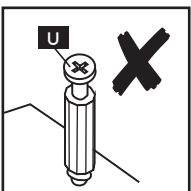
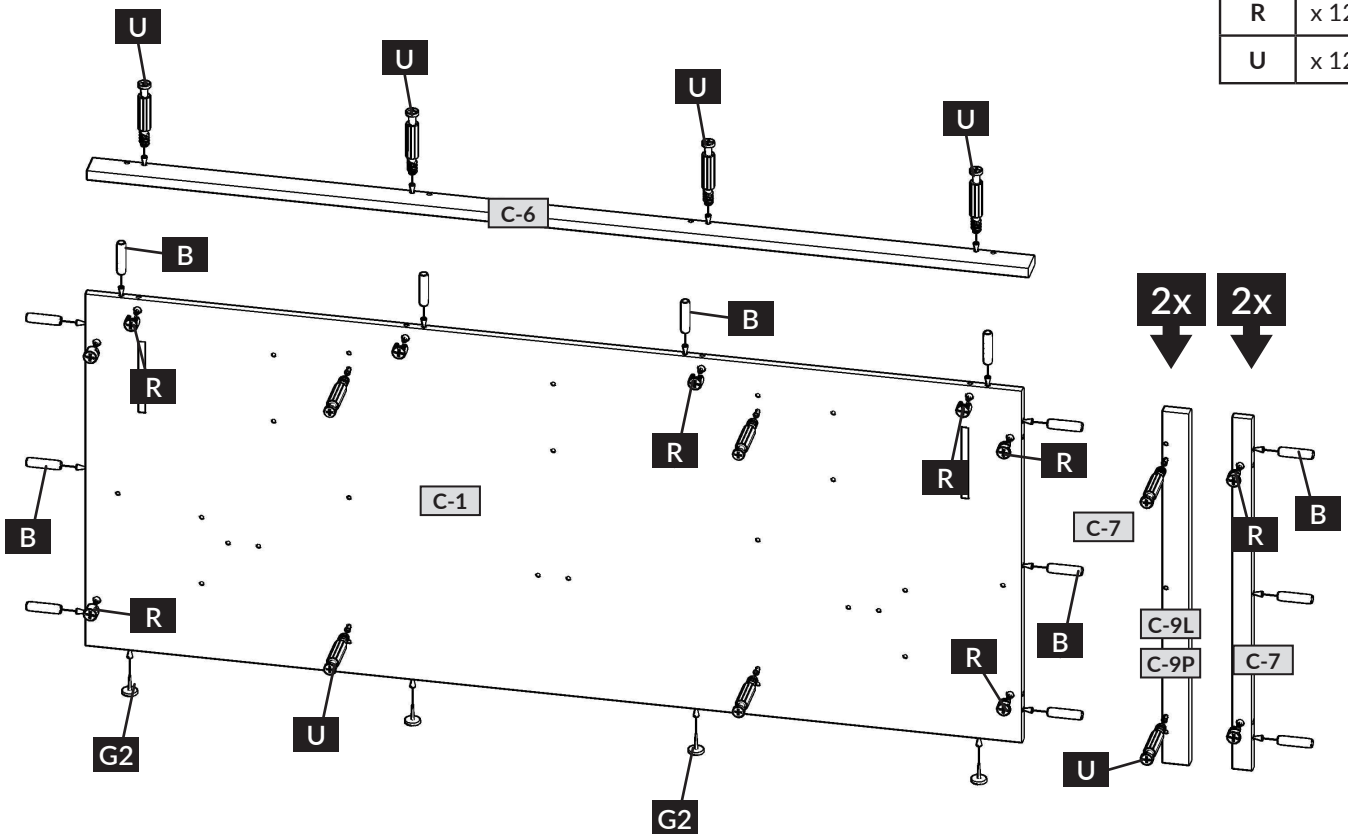


C / 7

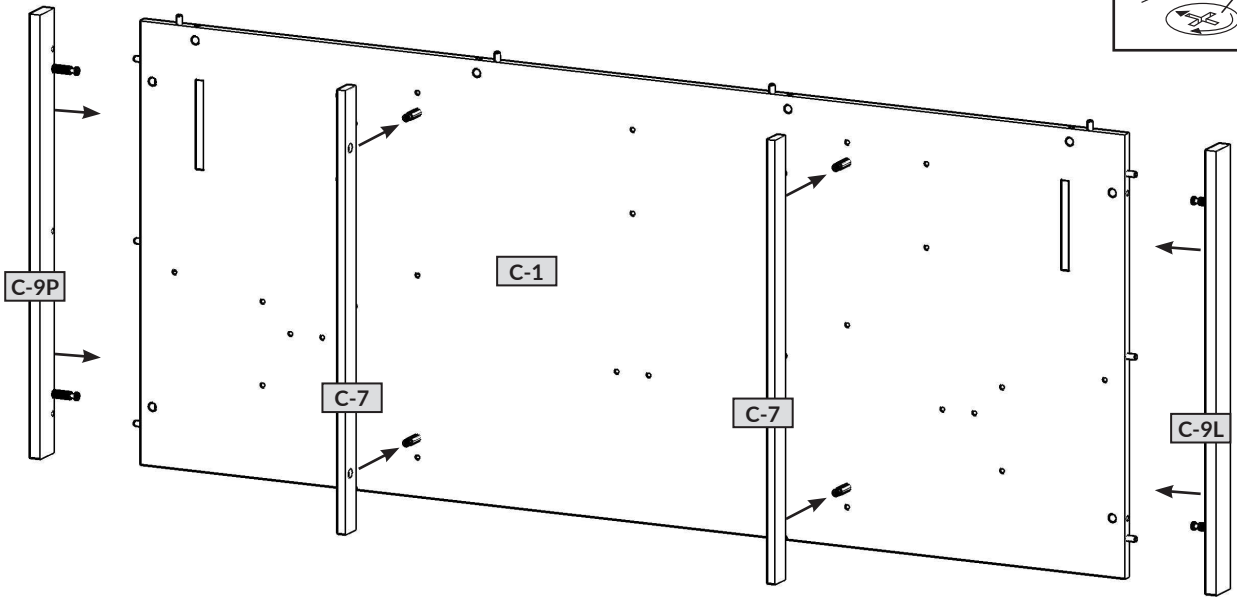
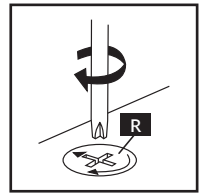
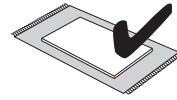


C / 8

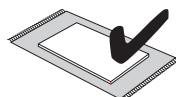
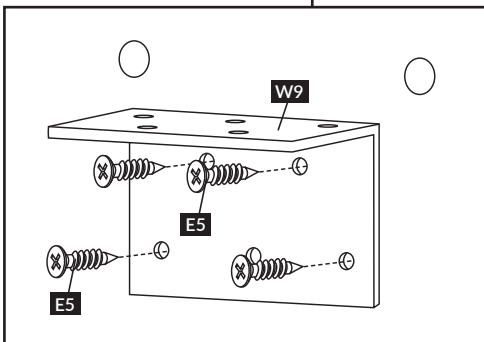
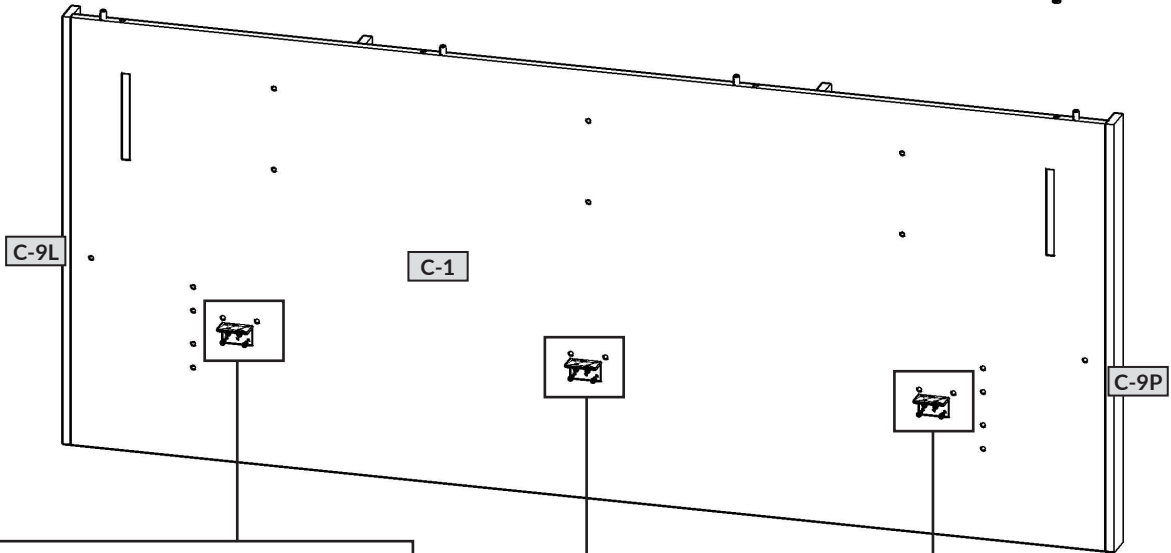
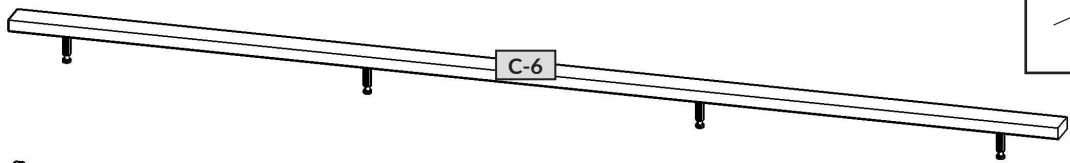
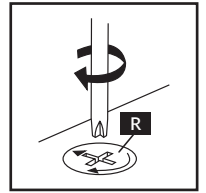
B	x 16
G2	x 4
R	x 12
U	x 12



C / 9

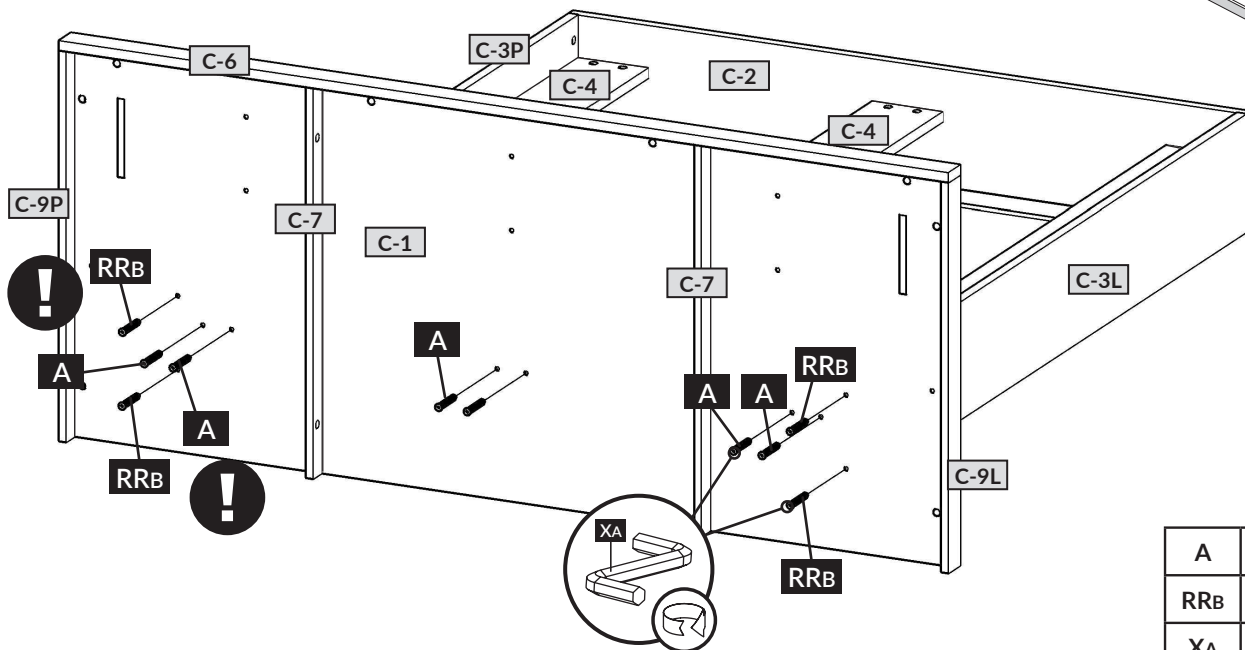
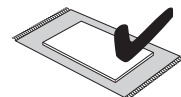


C / 10



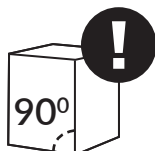
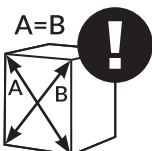
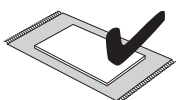
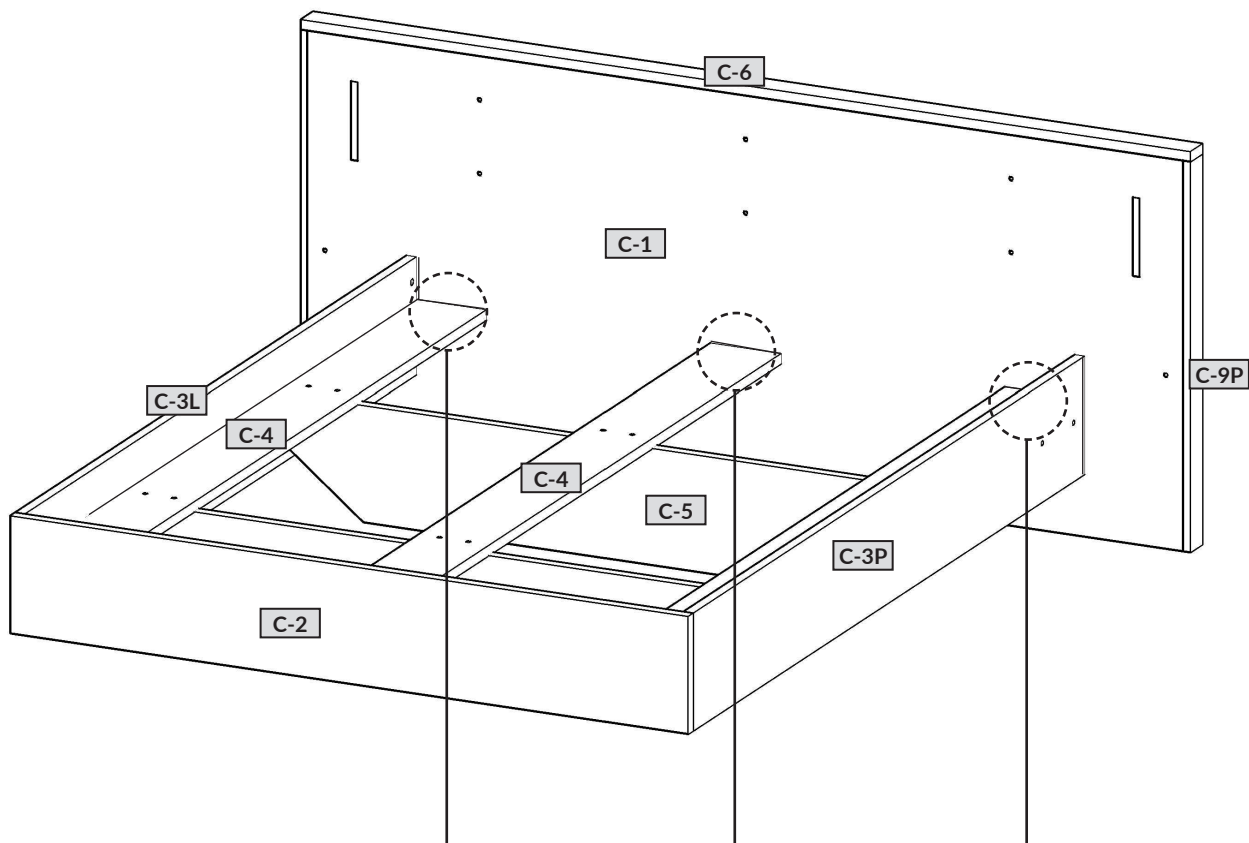
E5	x 12
W9	x 3

C / 11

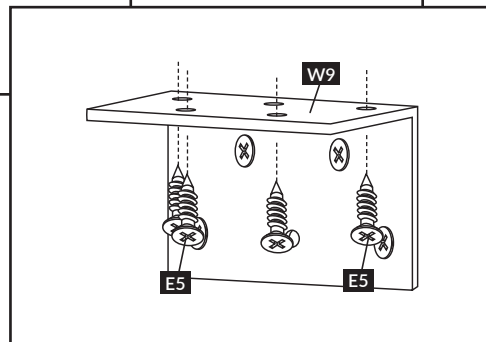


A	x 6
RRB	x 4
XA	x 1

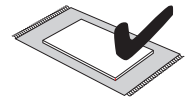
C / 12



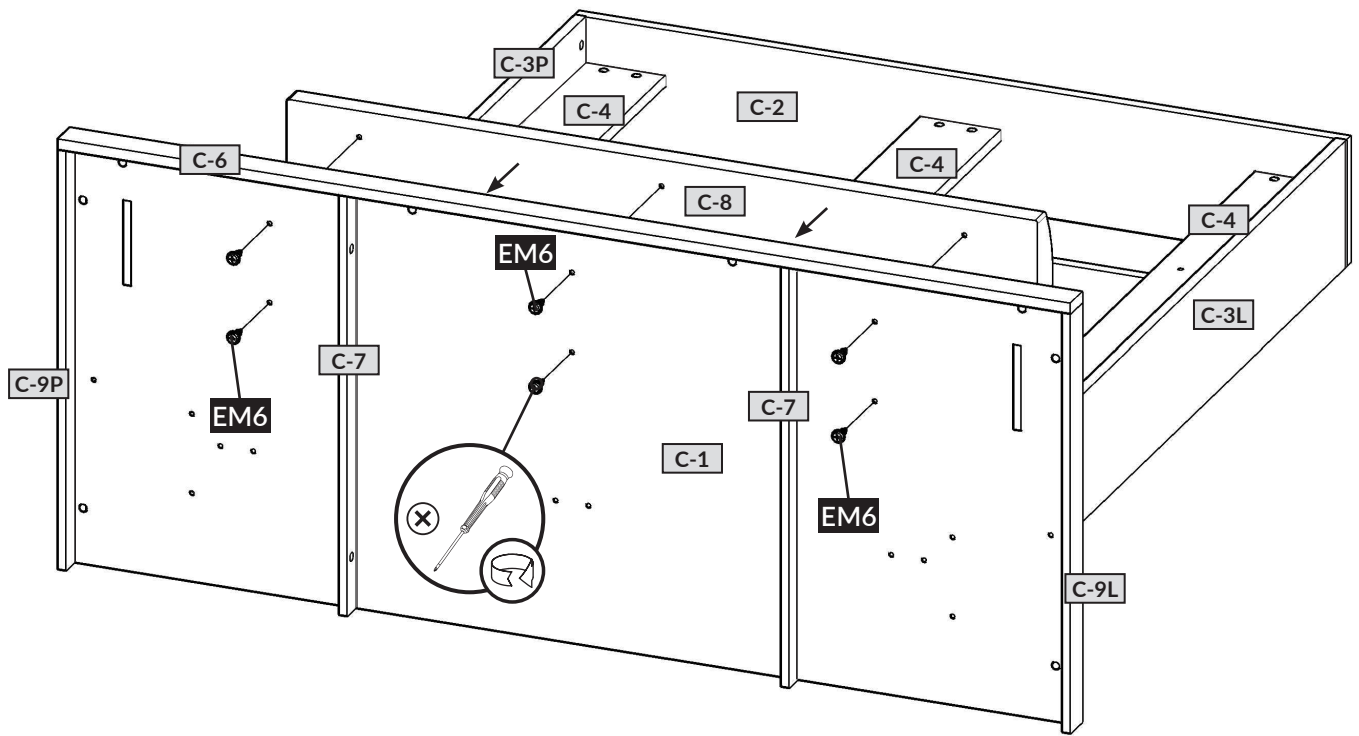
E5	x 12
----	------



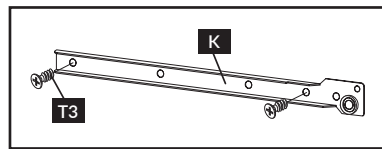
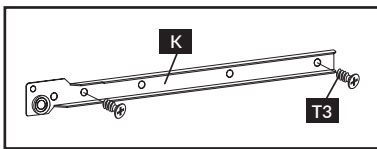
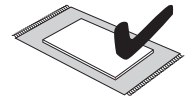
C / 13



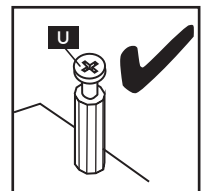
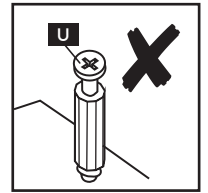
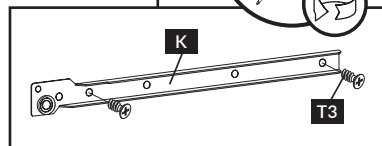
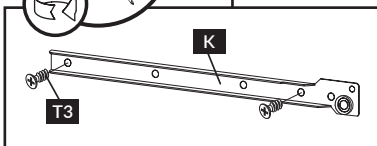
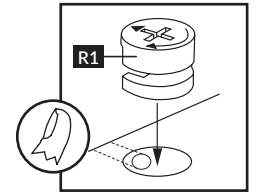
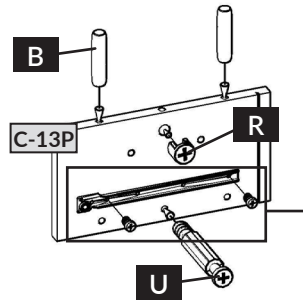
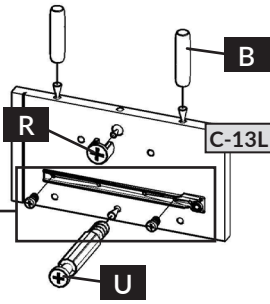
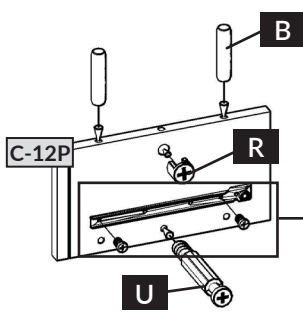
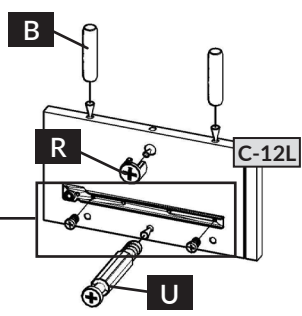
EM6 x 6



C / 14

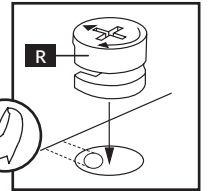
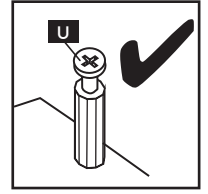
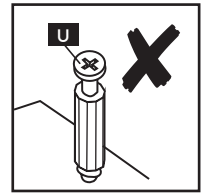


B	x 8
K	x 2
R	x 4
T3	x 8
U	x 4

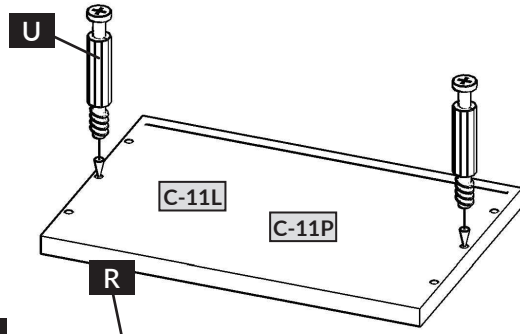


C / 15

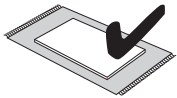
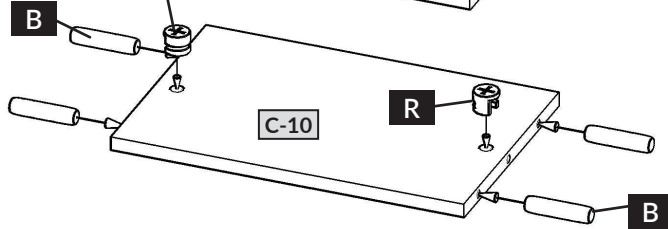
B	x 8
R	x 4
U	x 4



2x →

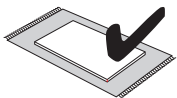
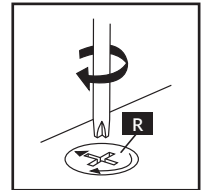
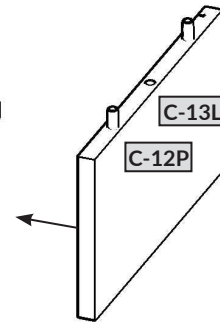
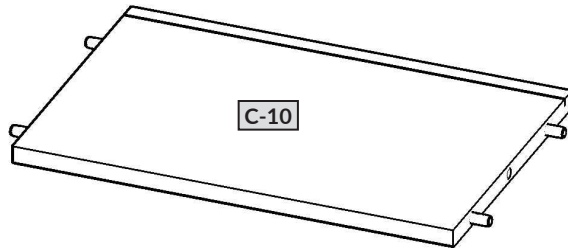
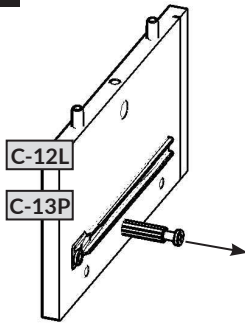


2x →



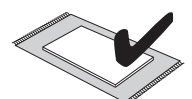
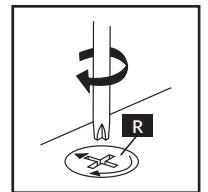
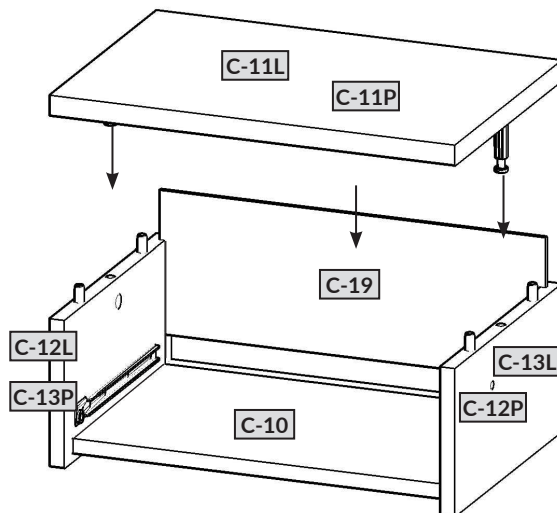
C / 16

2x ↓

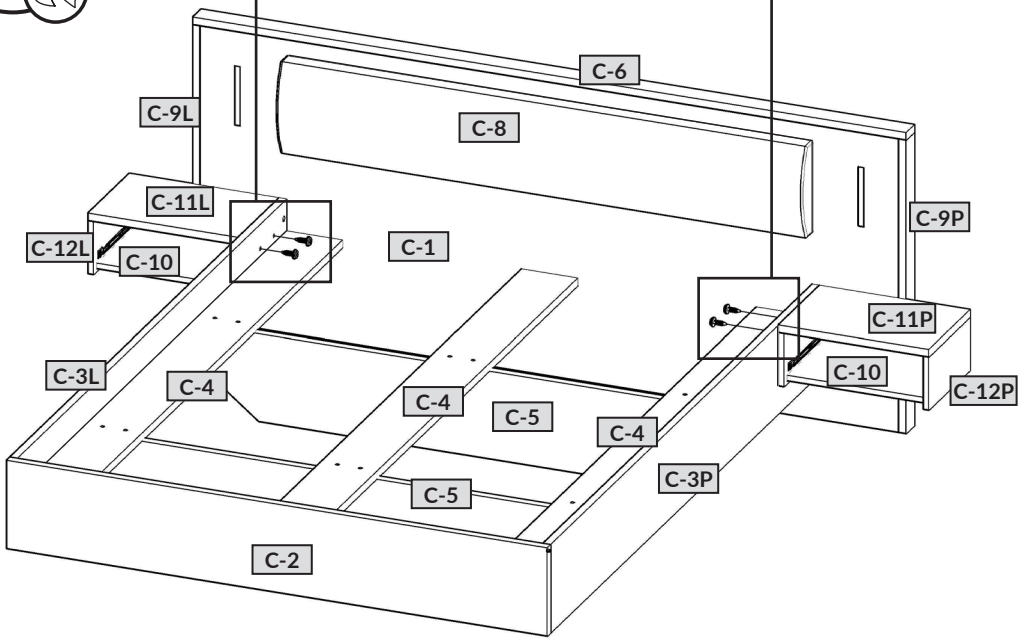
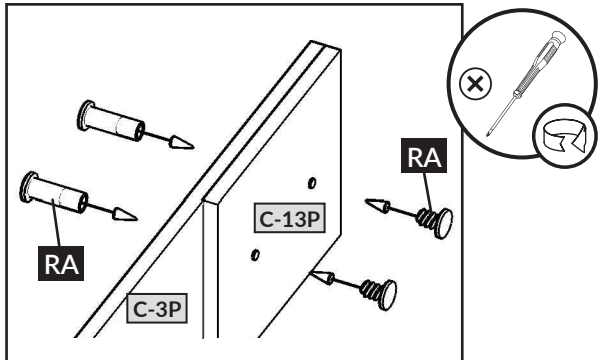
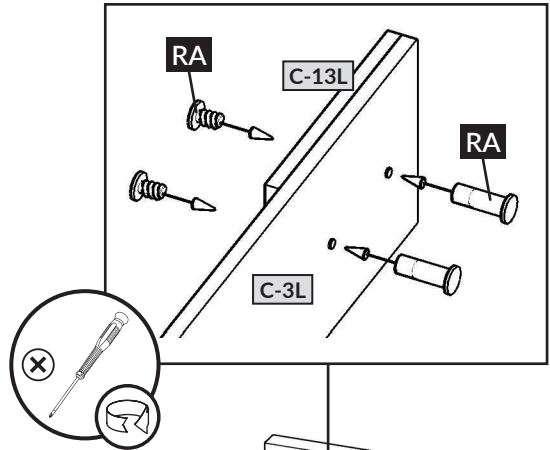
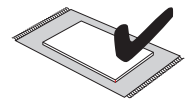
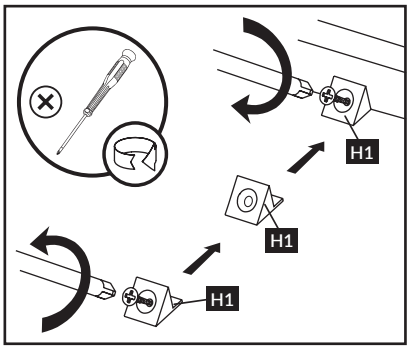
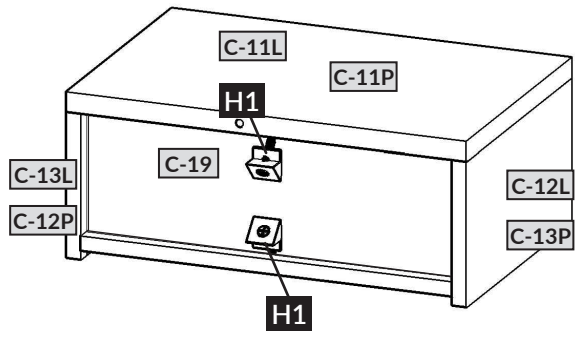
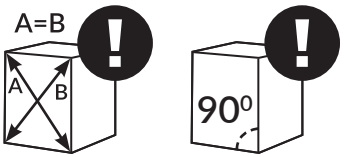


C / 17

2x ↓

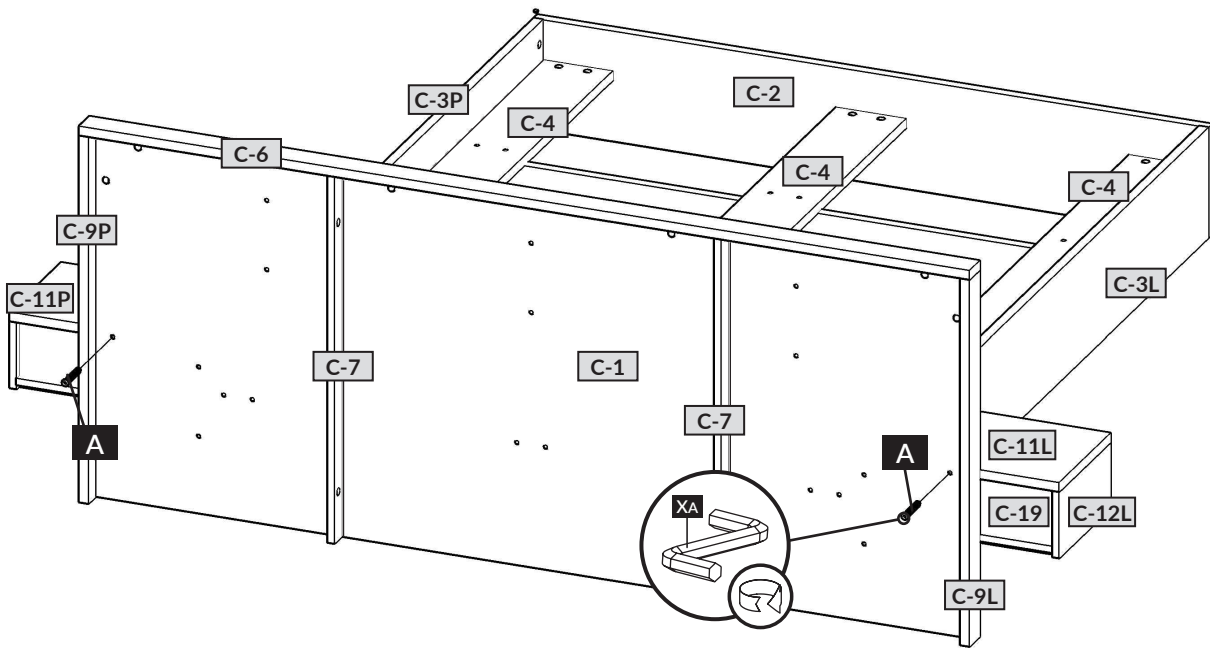


2x
↓



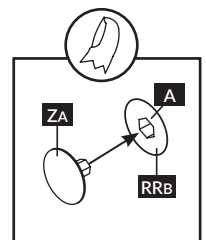
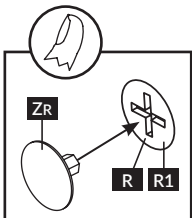
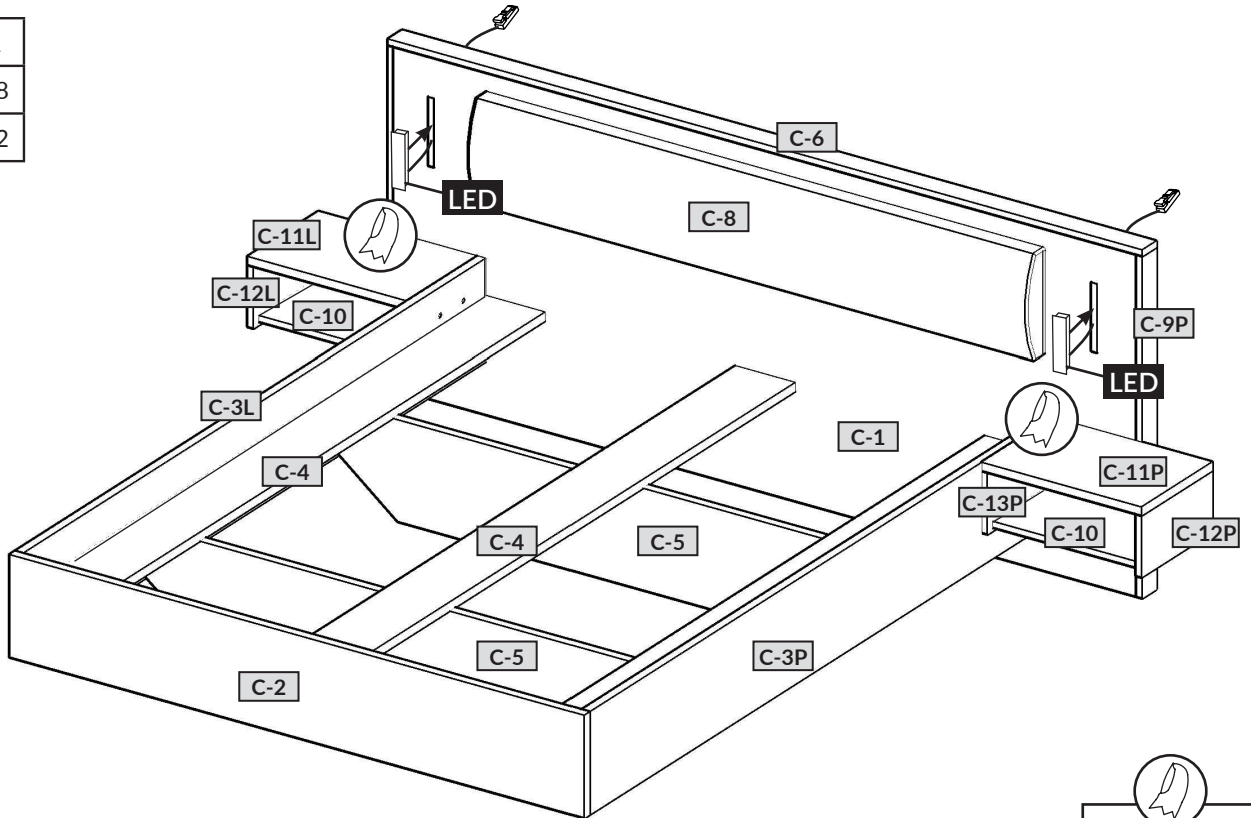
C / 20

A	x 2
XA	x 1



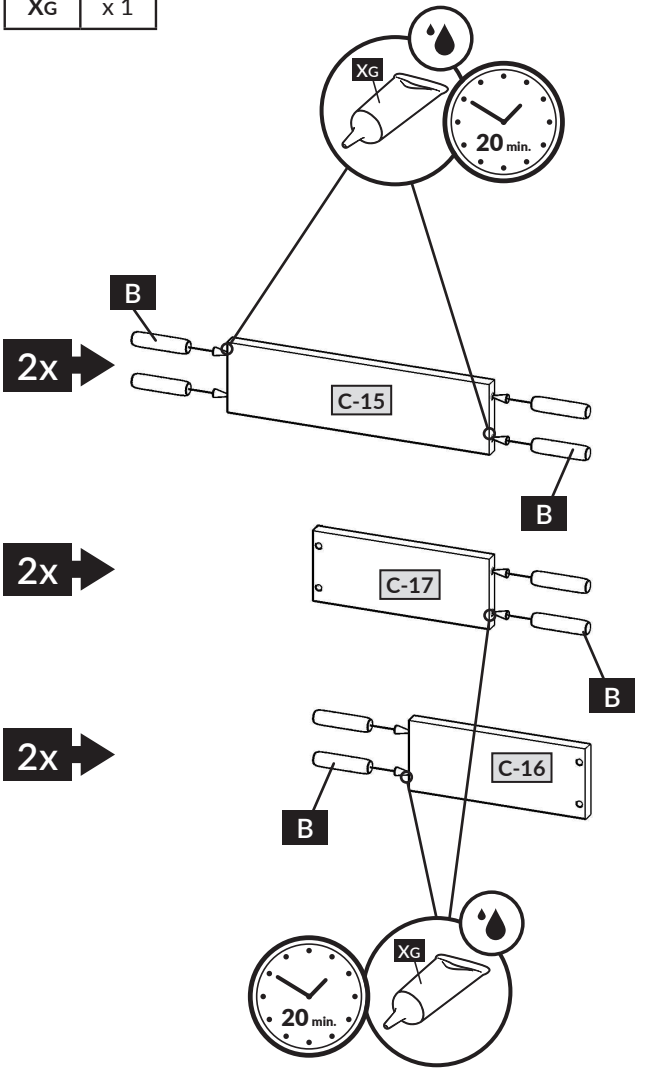
C / 21

LED	x 1
ZA	x 18
ZR	x 12



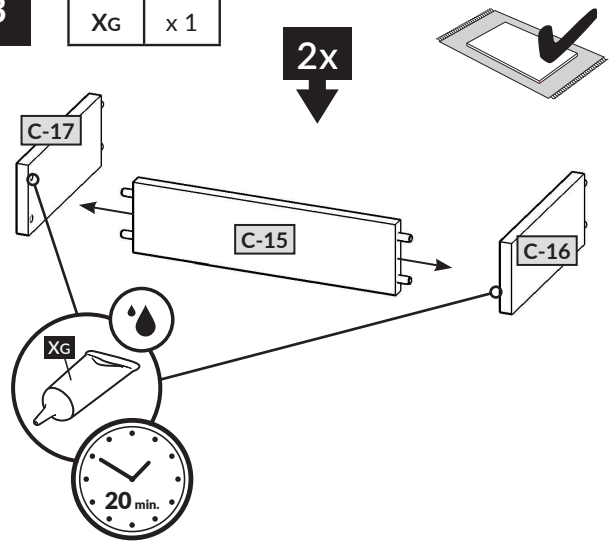
C / 22

B	x 16
XG	x 1



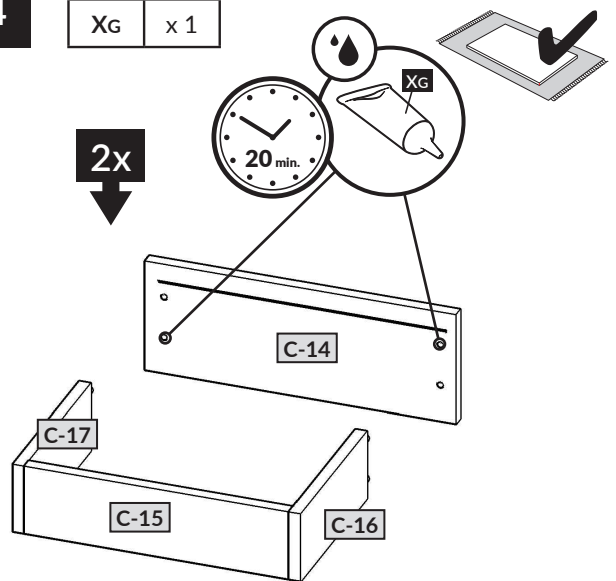
C / 23

XG	x 1
----	-----

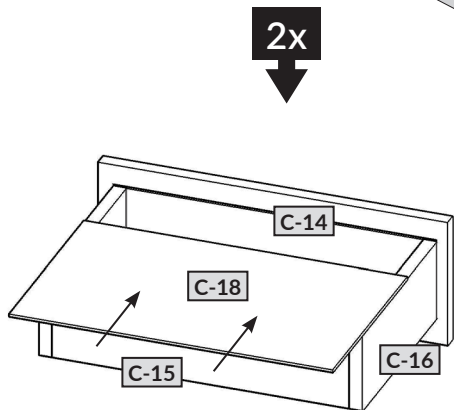


C / 24

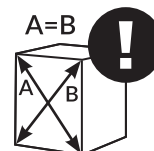
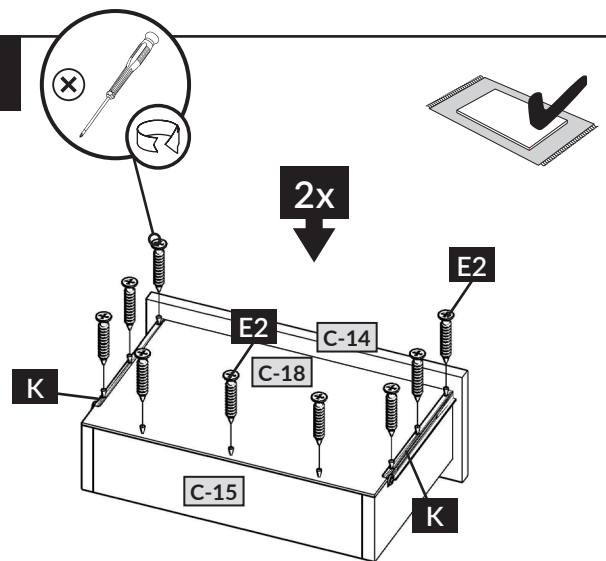
XG	x 1
----	-----



C / 25



C / 26



E2	x 18
K	x 2