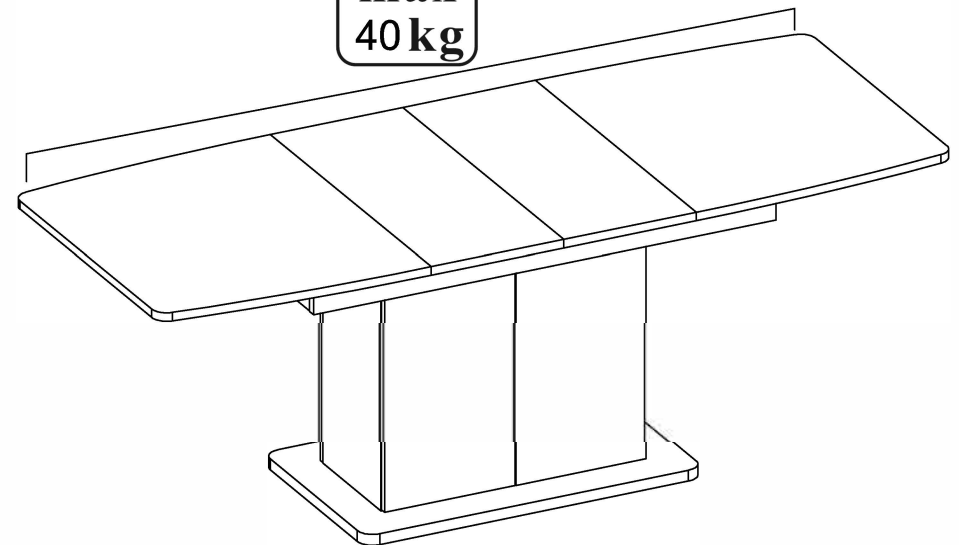
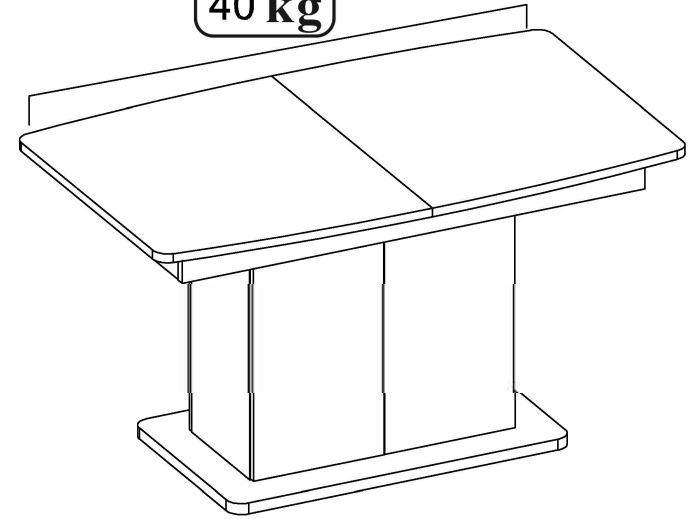
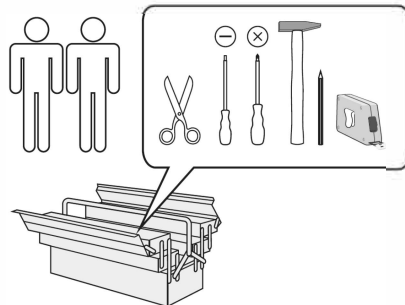
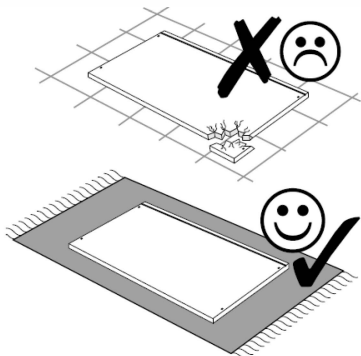
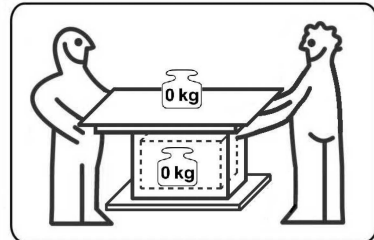
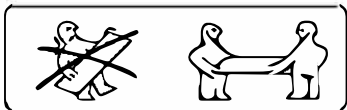
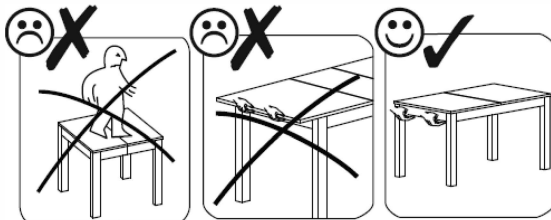
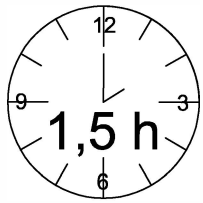


















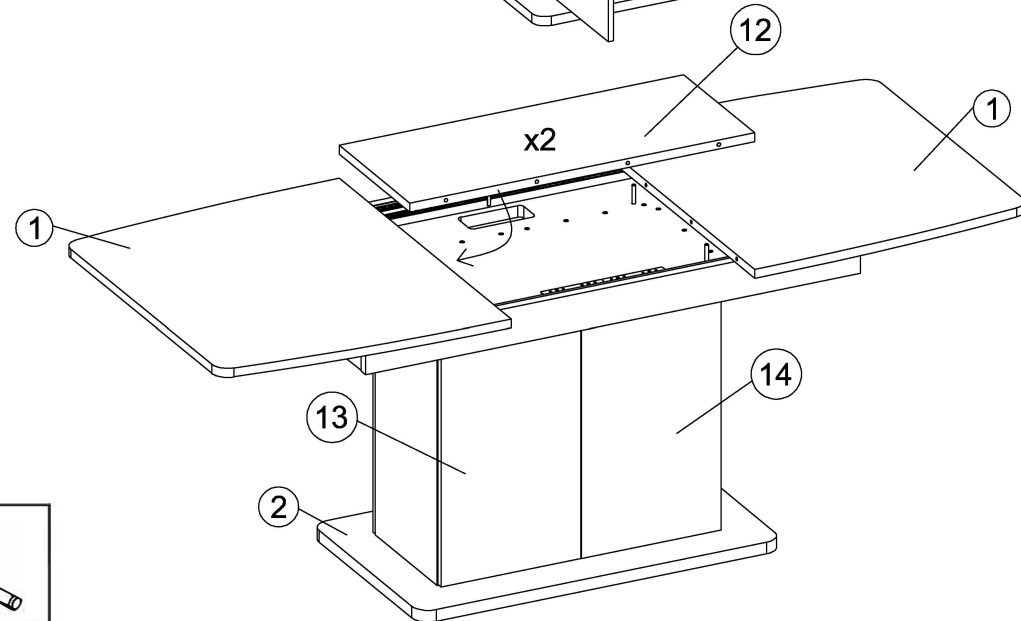
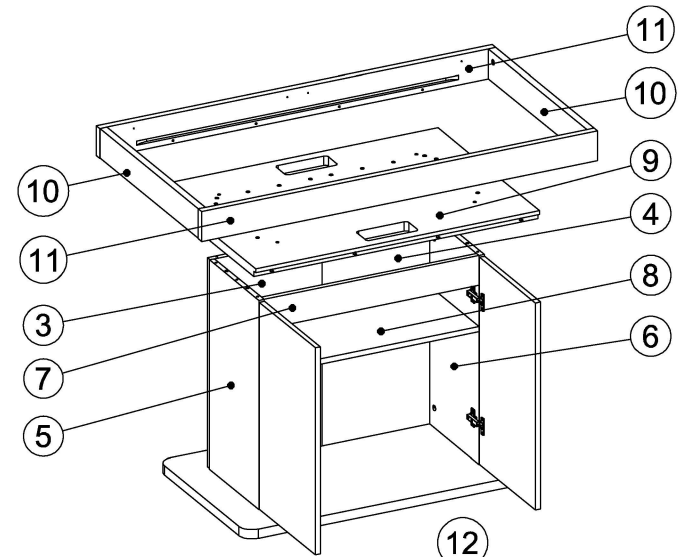
Star 03

17--03

1



 φ8x30	 3x16		
D01 x37	S9 x4	T02 x28	T01 x28
 3,5x16	 L70		
W16 x28	W03 x28	K01 x1	C05 x6
 8x60			 4x13
D02 x4	S01 x4	D10 x12	S8 x8
 L-1060			
P05 x2	D1 x4	Y0 x4	E7 x2

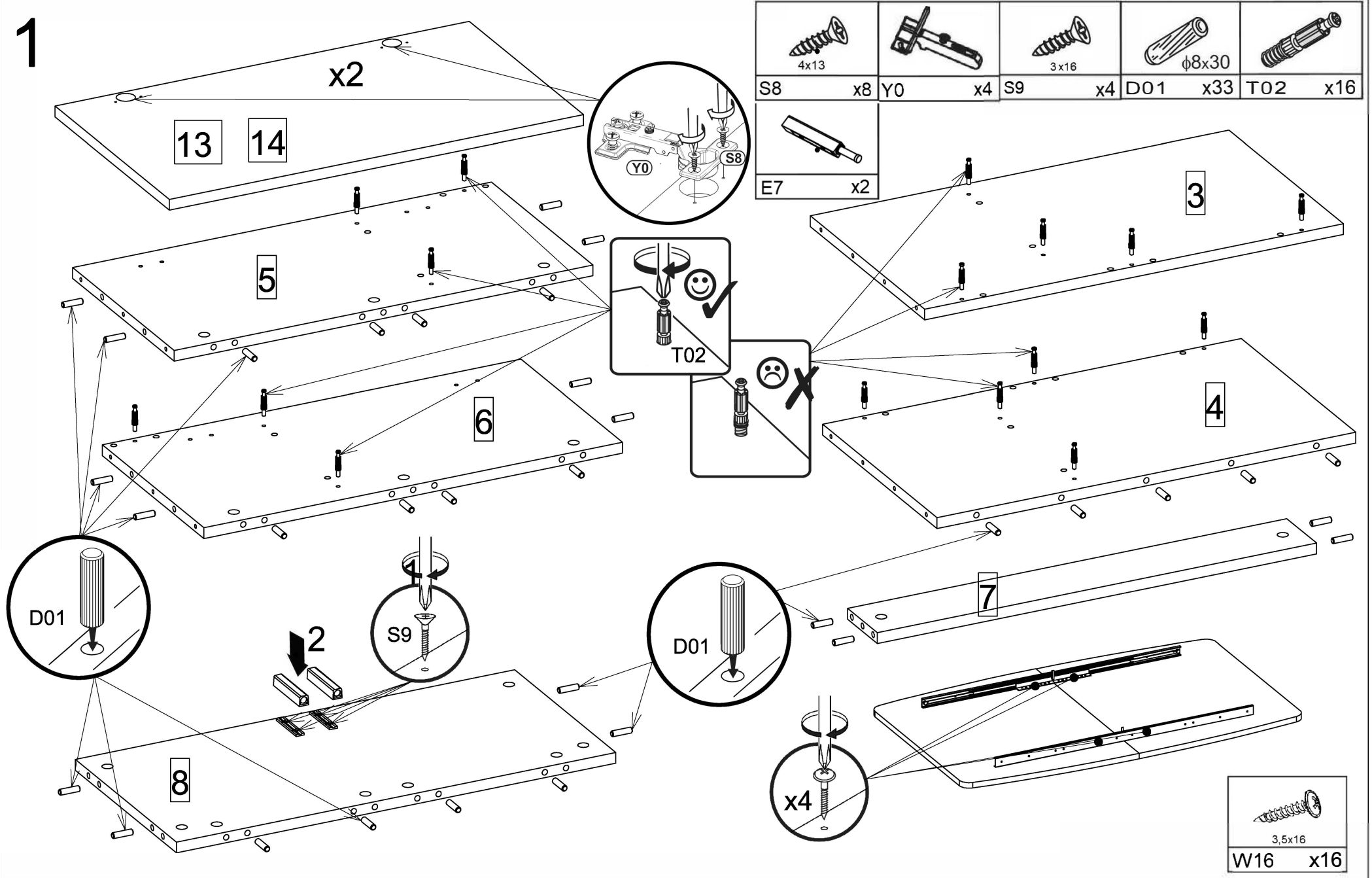







Star 03


17--03


3

1



 S8 4x13	 Y0	 S9 3x16	 D01 φ8x30	 T02
x8	x4	x4	x33	x16

 E7	x2
---	----

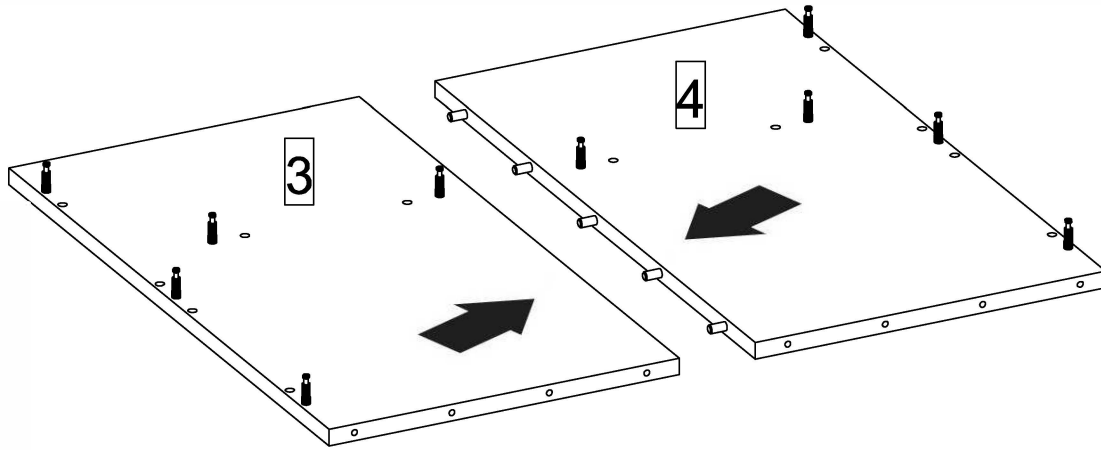
 3,5x16	W16 x16
---	---------

Star 03

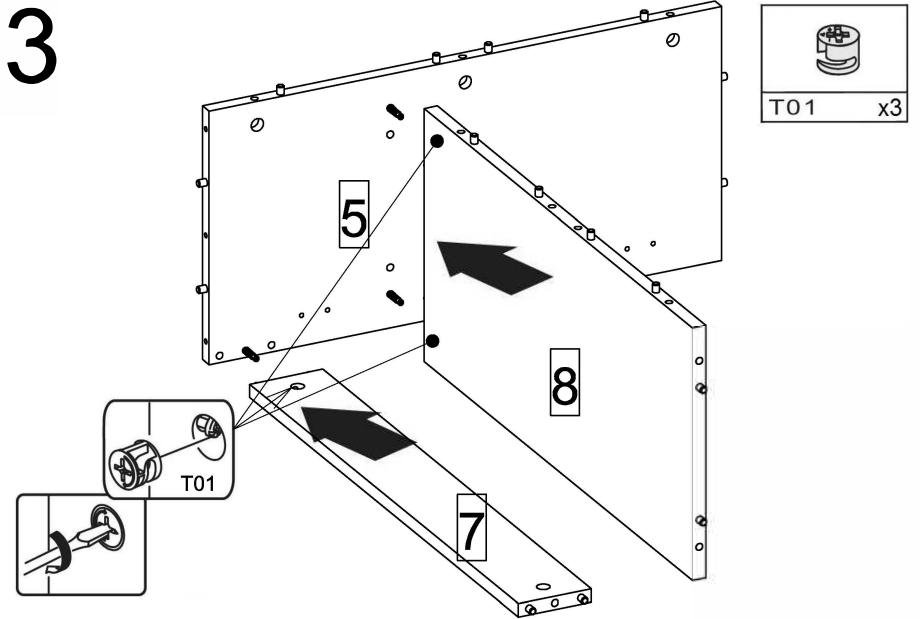
17--03

4

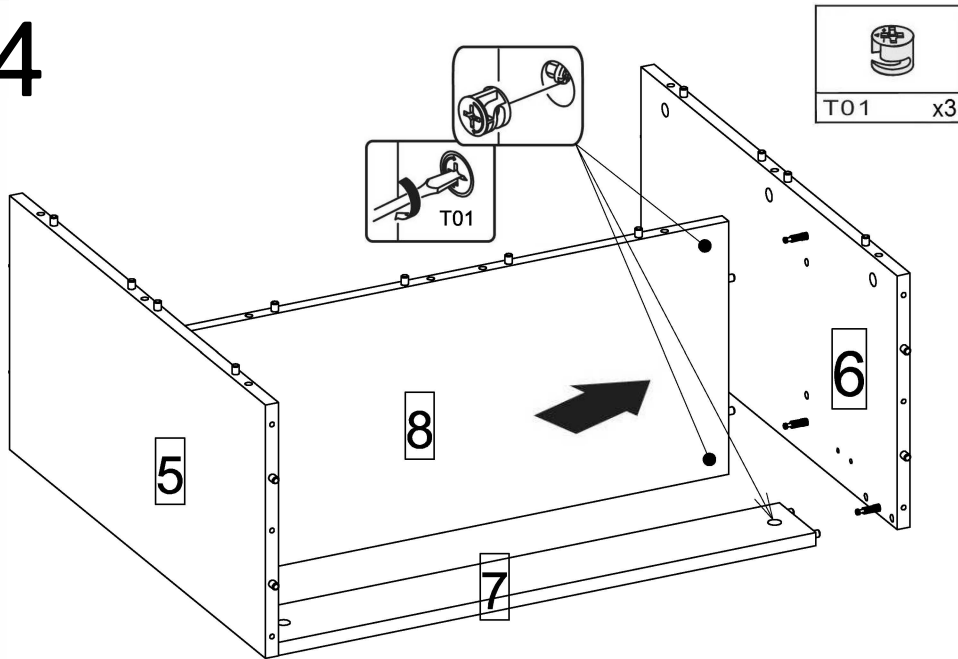
2



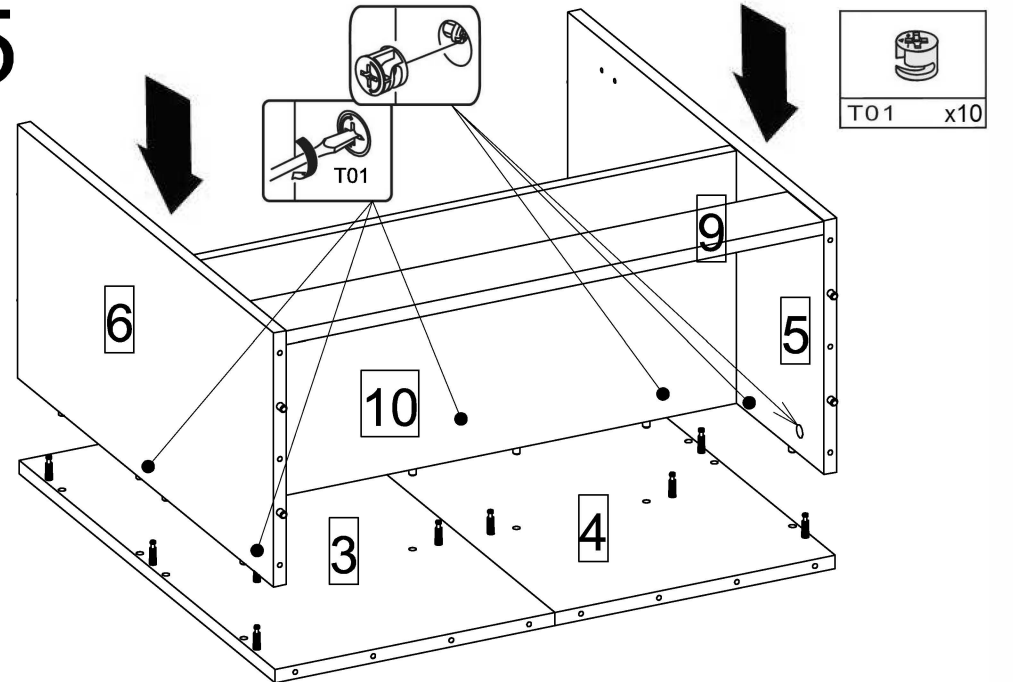
3



4

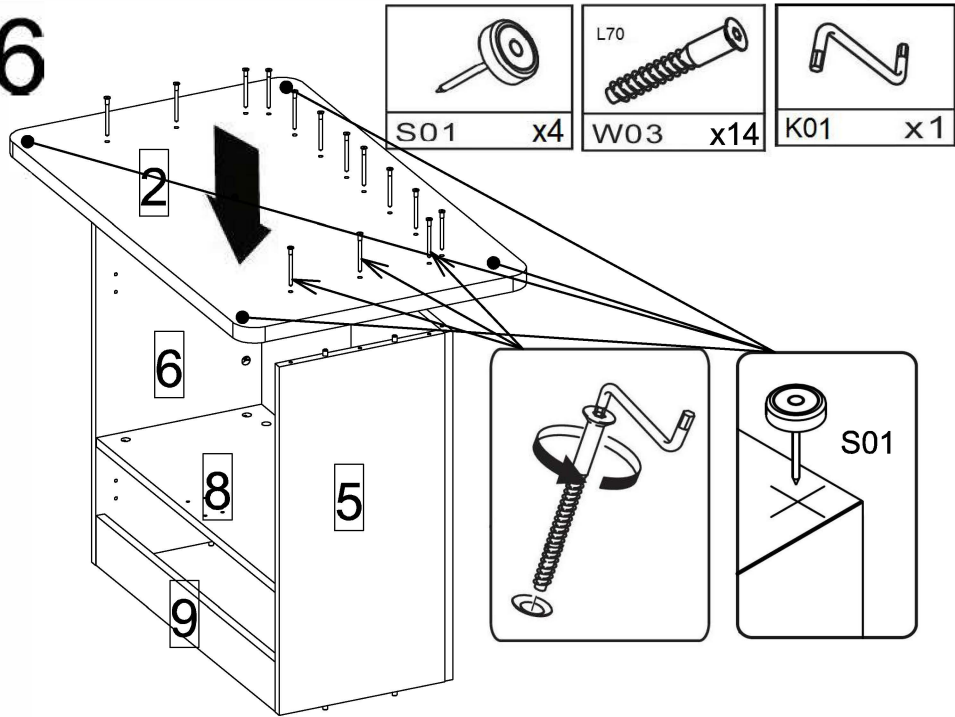


5

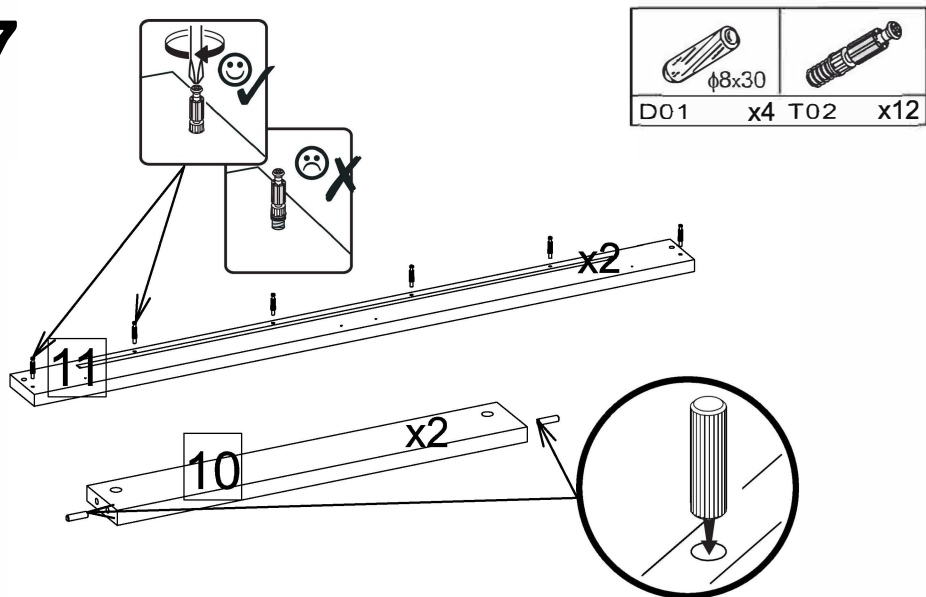


Star 03

6

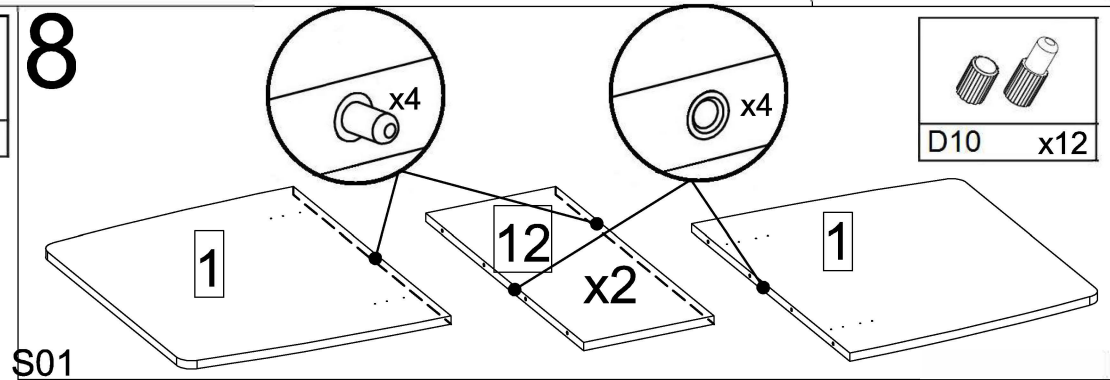


7



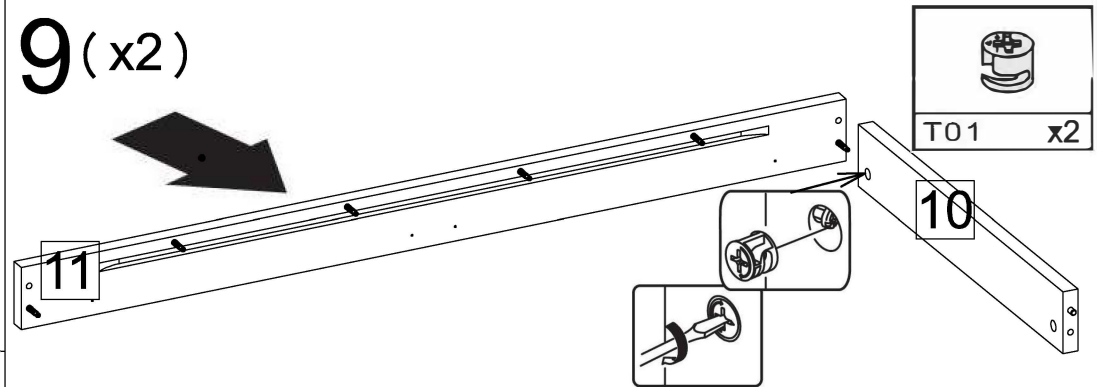
17--03

8

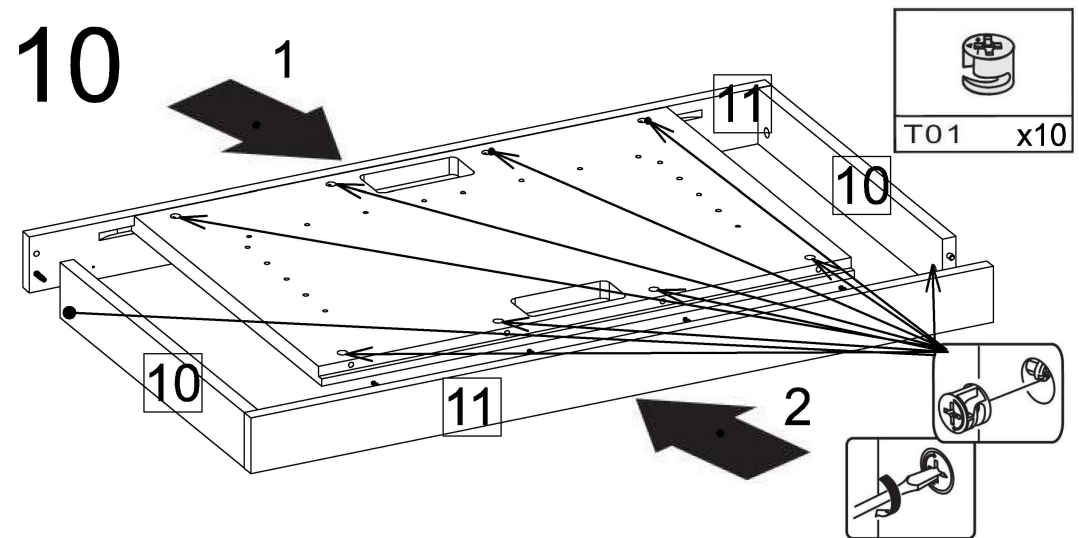


S01

9 (x2)



10

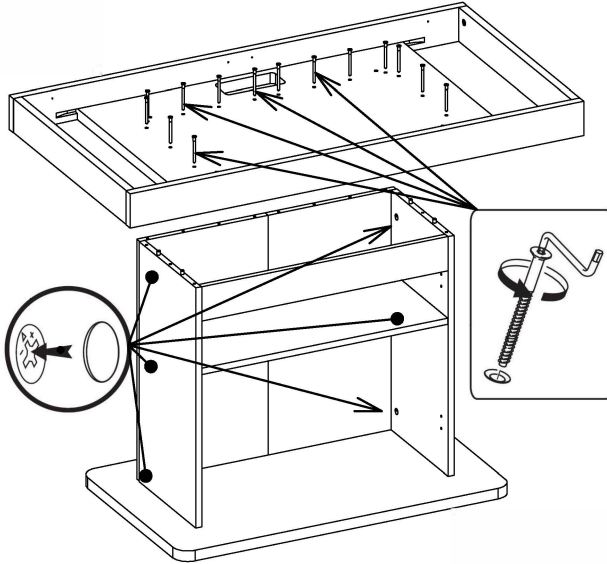
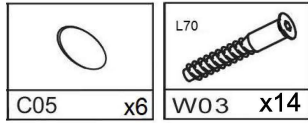


Star 03

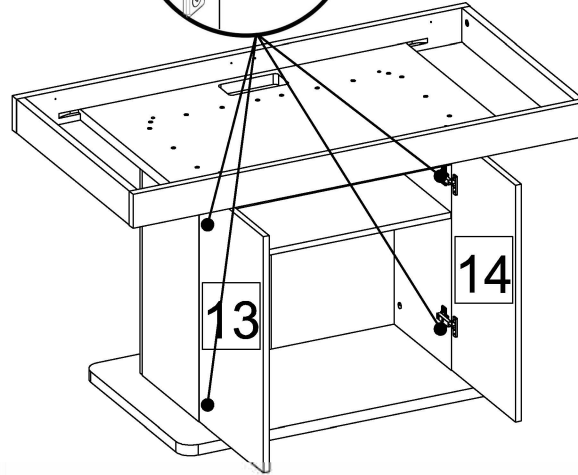
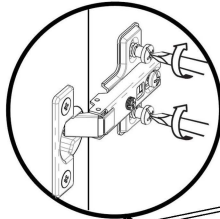
17--03

6

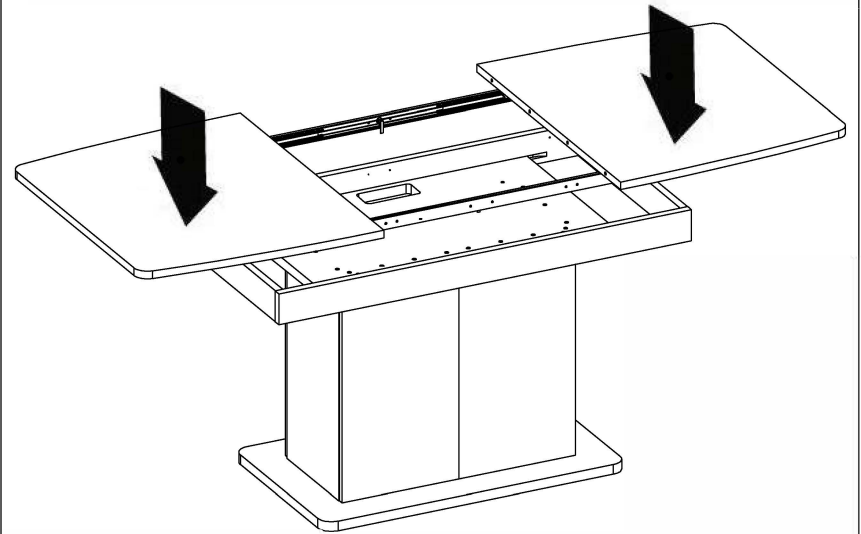
11



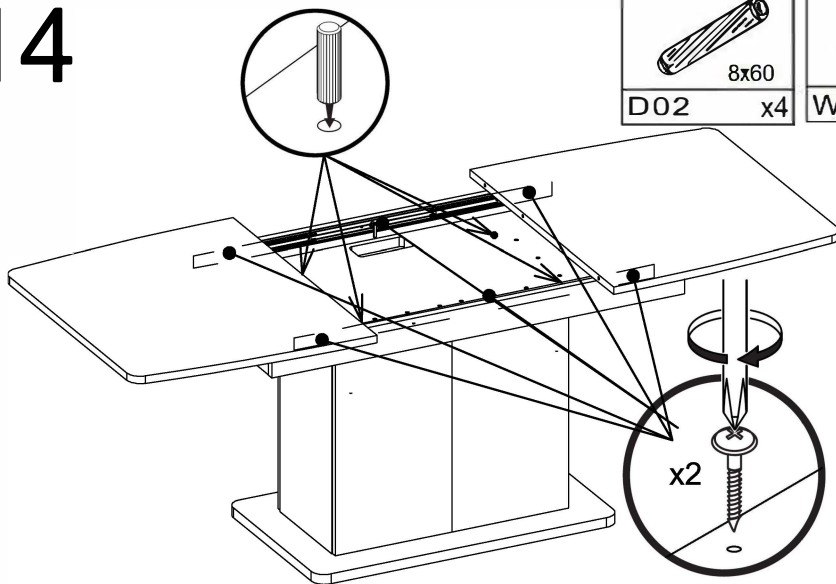
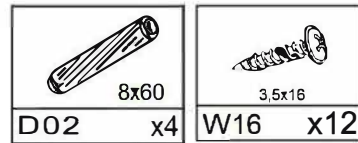
12



13



14



15

