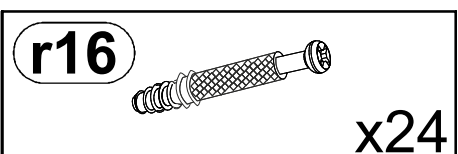
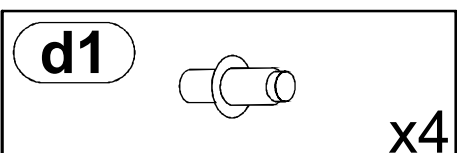
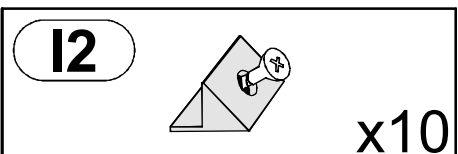
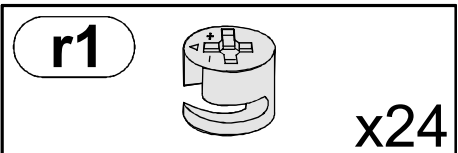
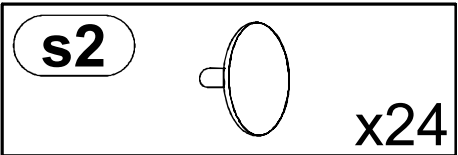
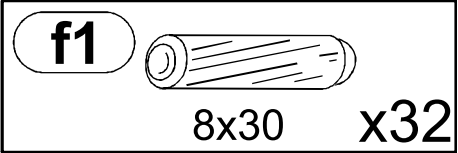
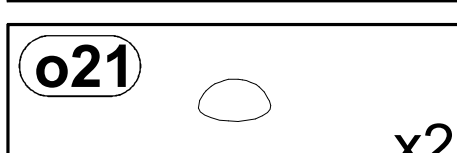
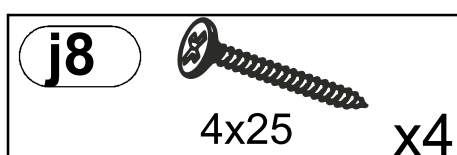
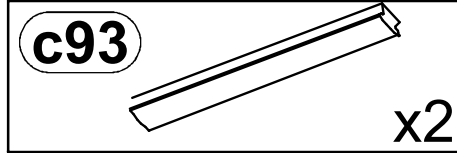
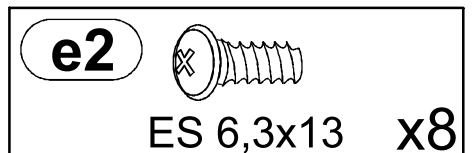
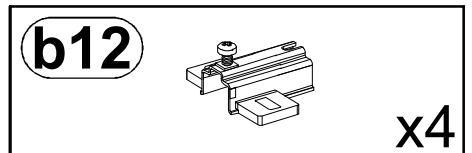
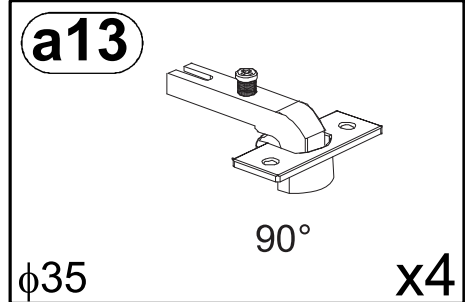
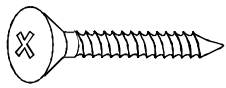


B12**B13****B14**

B15

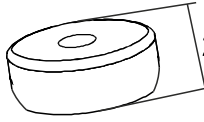
p42



4x25

x6

k25

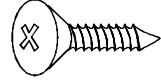


25mm

x6

B16

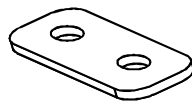
p1



3,5x13

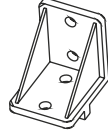
x44

n5



x4

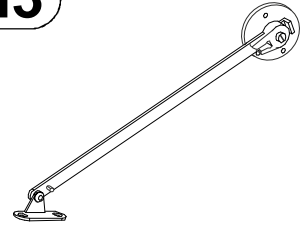
n50



x4

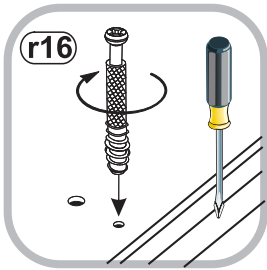
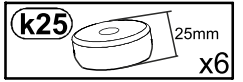
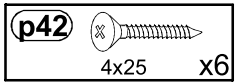
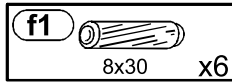
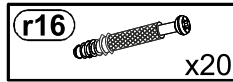
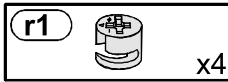
B17

m3

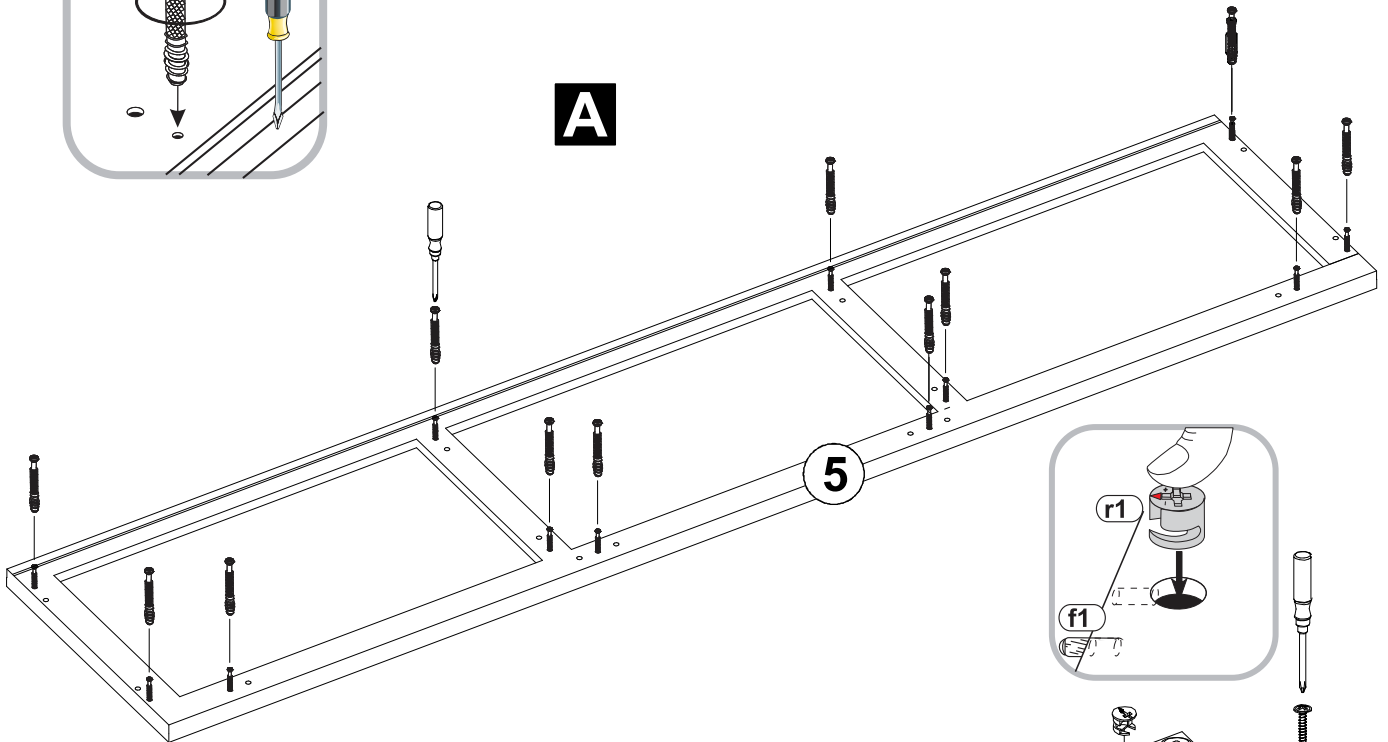


x2

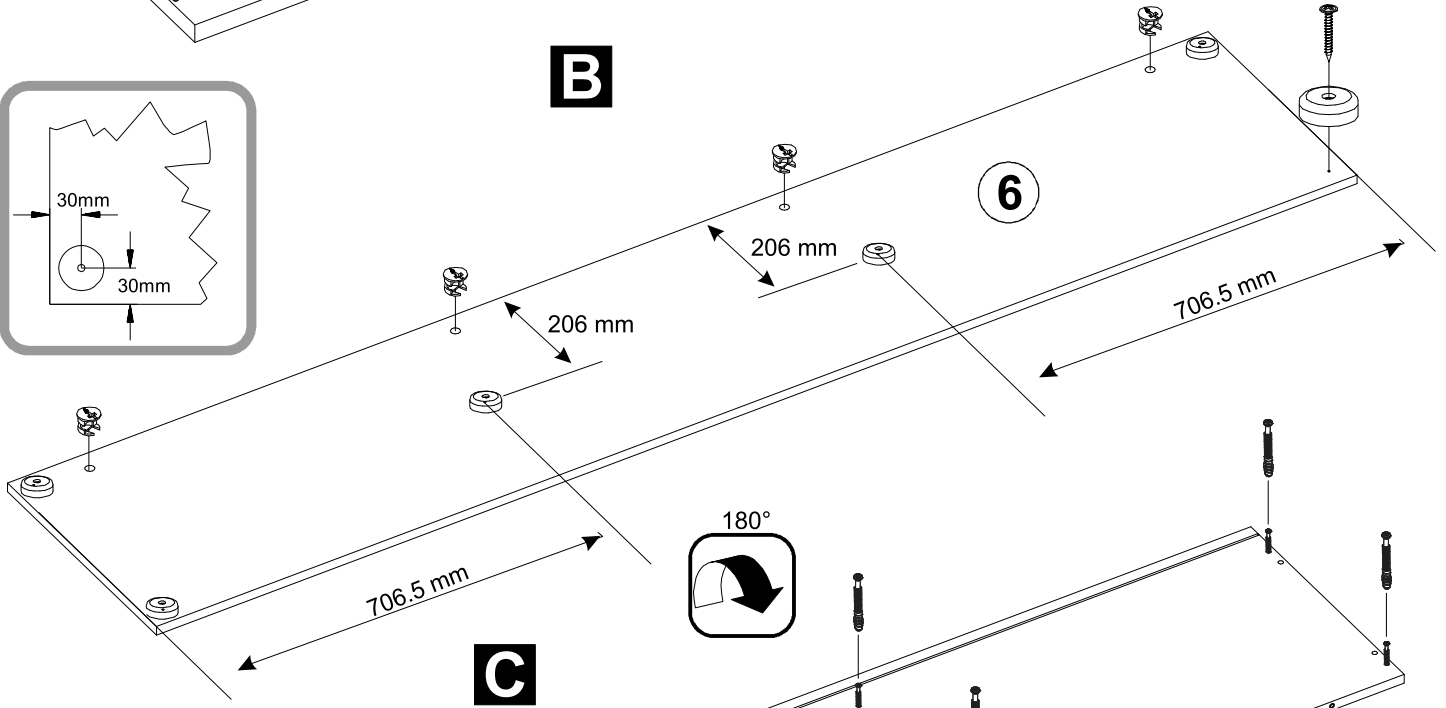
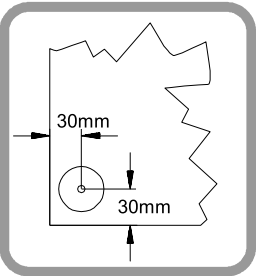
1



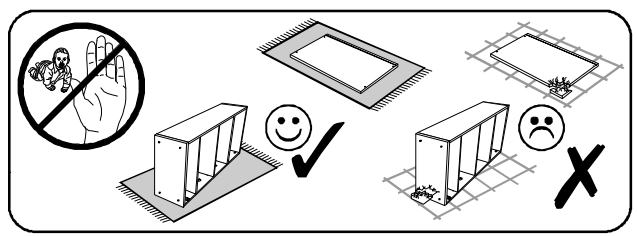
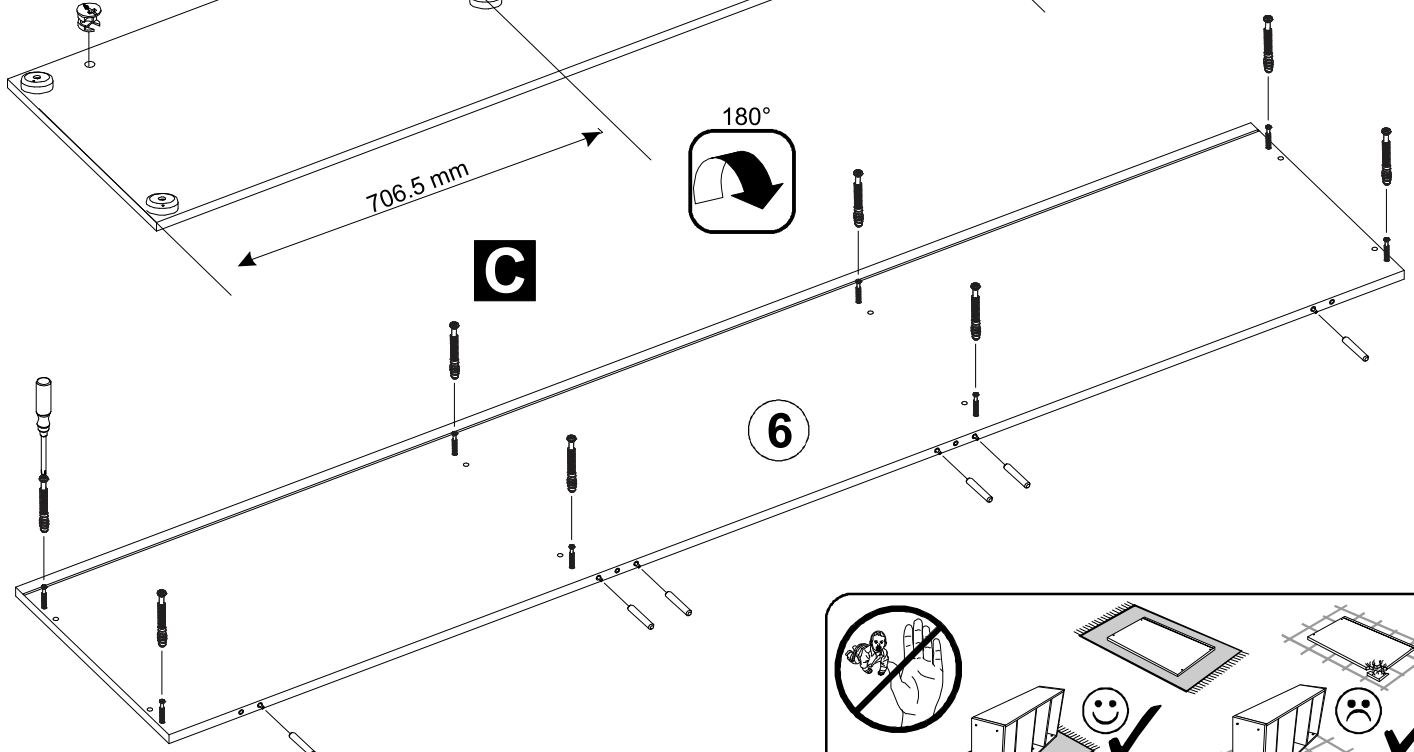
A



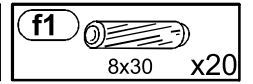
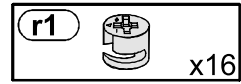
B



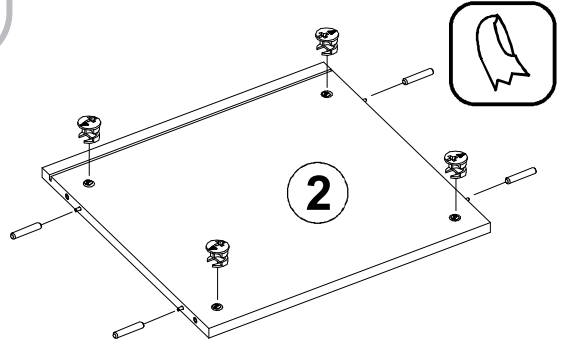
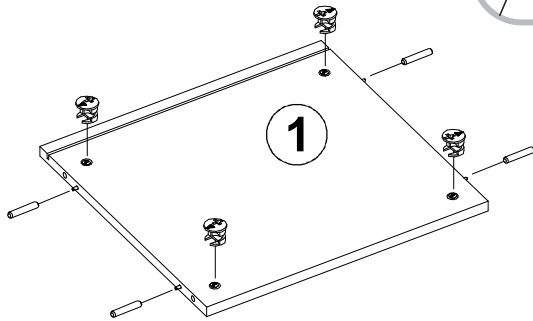
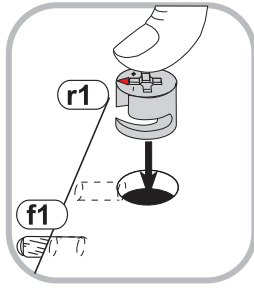
C



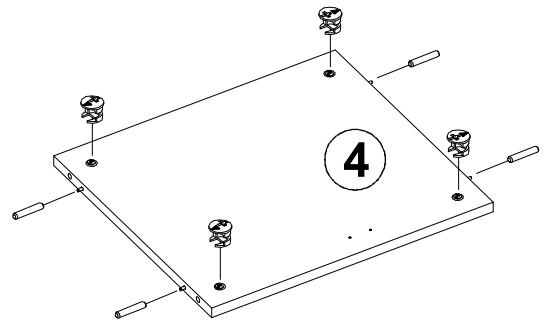
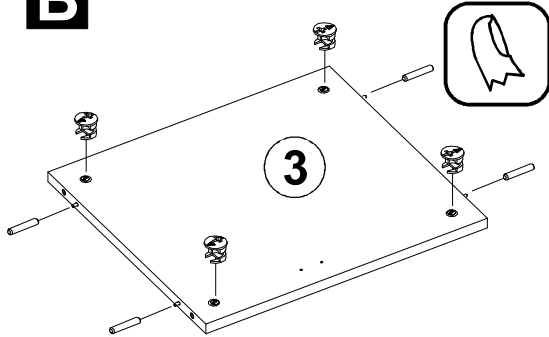
2



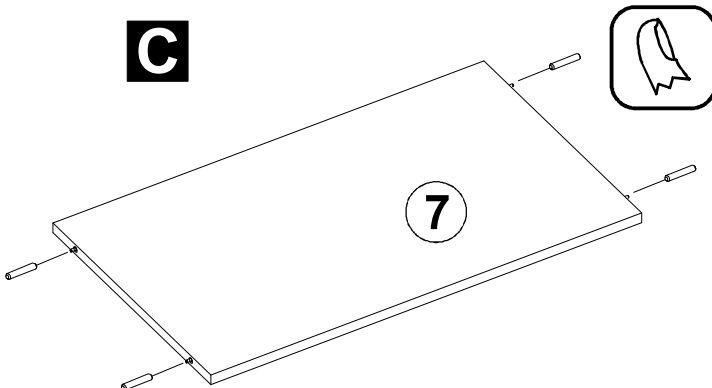
A



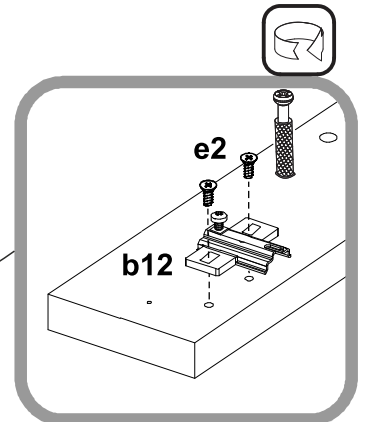
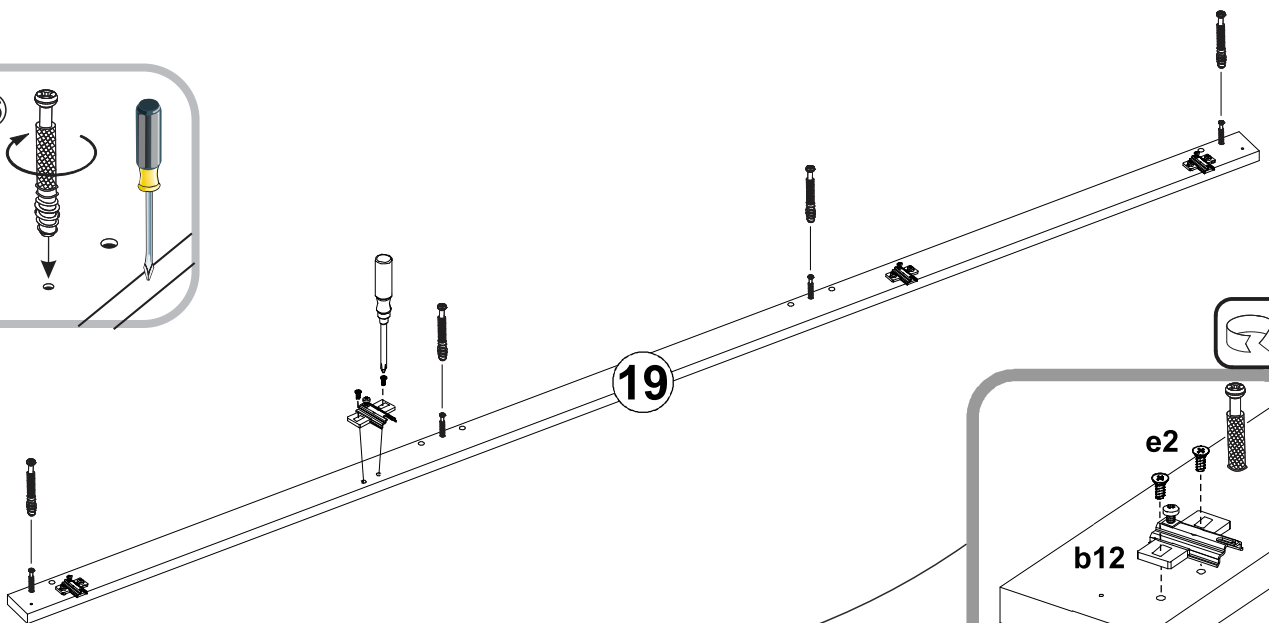
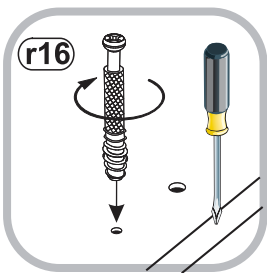
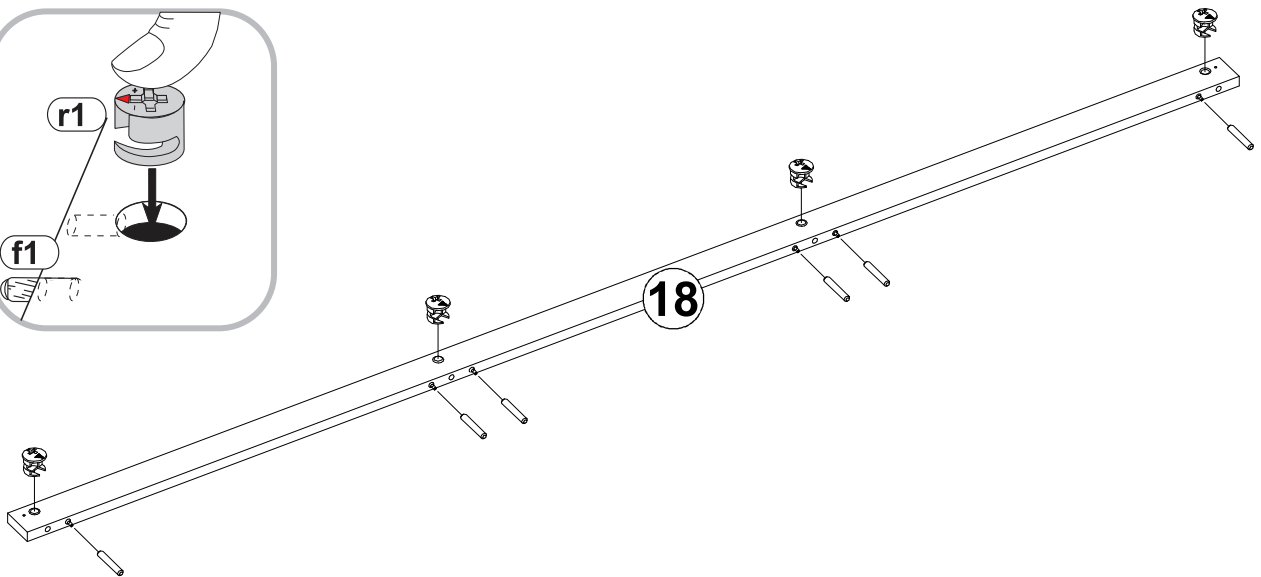
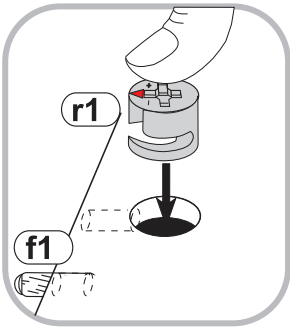
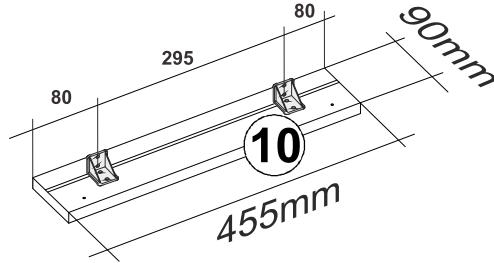
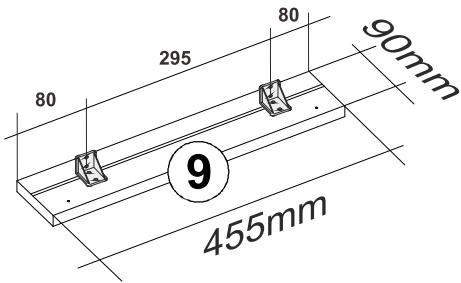
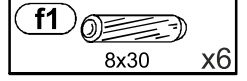
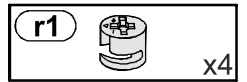
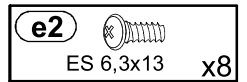
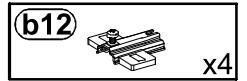
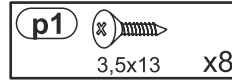
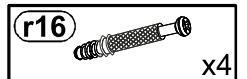
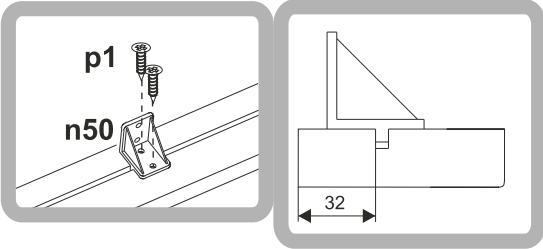
B



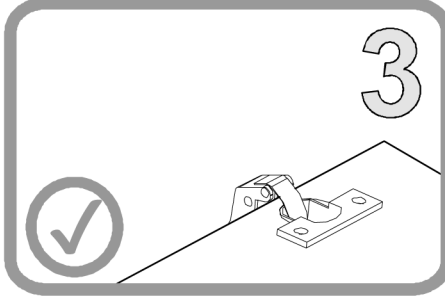
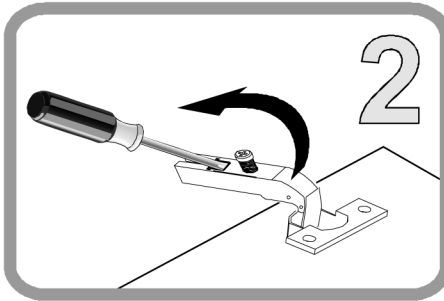
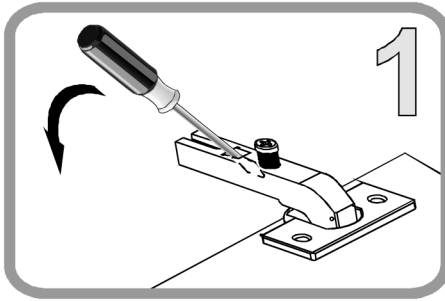
C

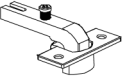

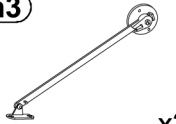



3

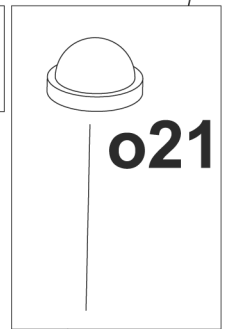
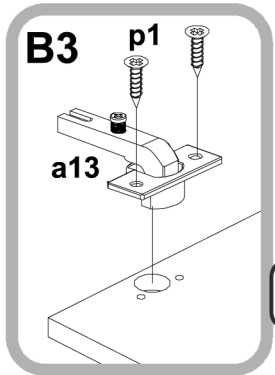
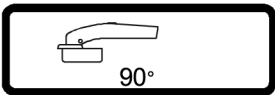
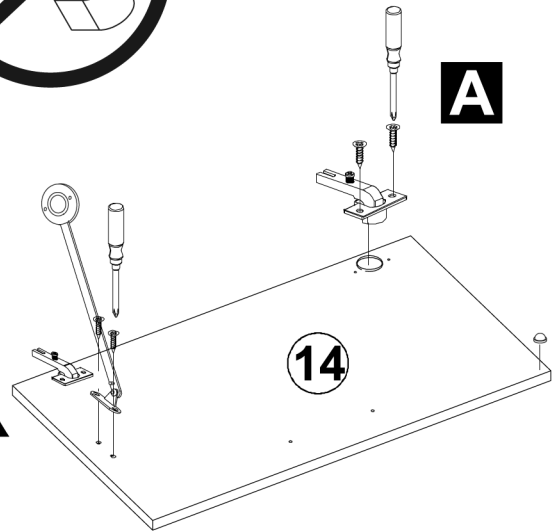


4

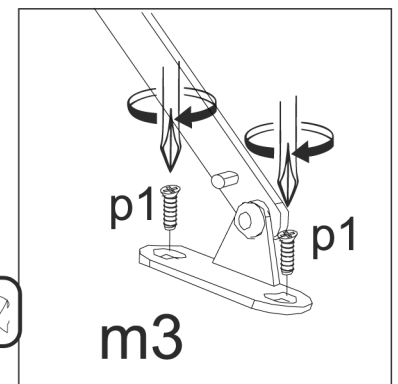
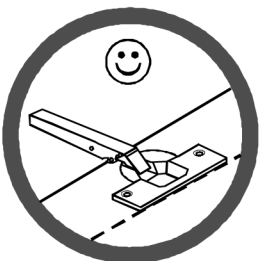
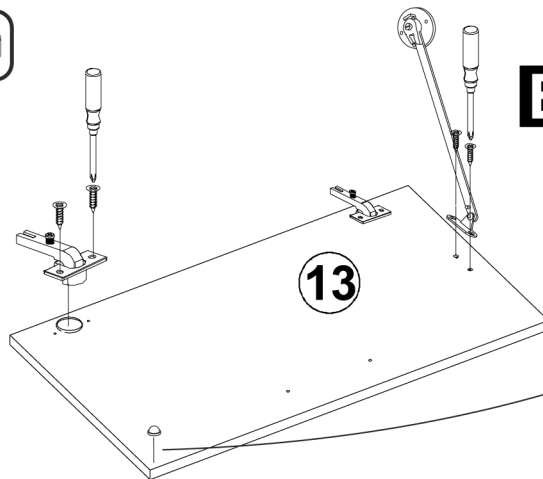


- a13**  $\phi 35$ 90° x4
- p1**  3,5x13 x12
- m3**  x2
- o21**  x2

A

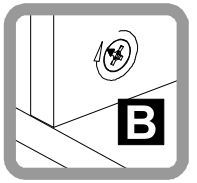
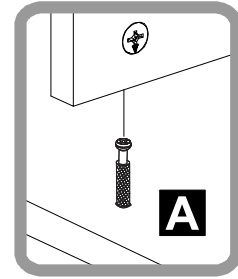
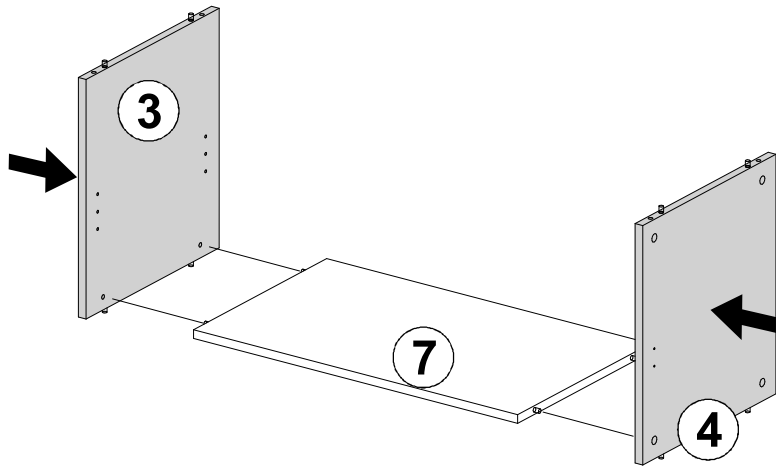


B

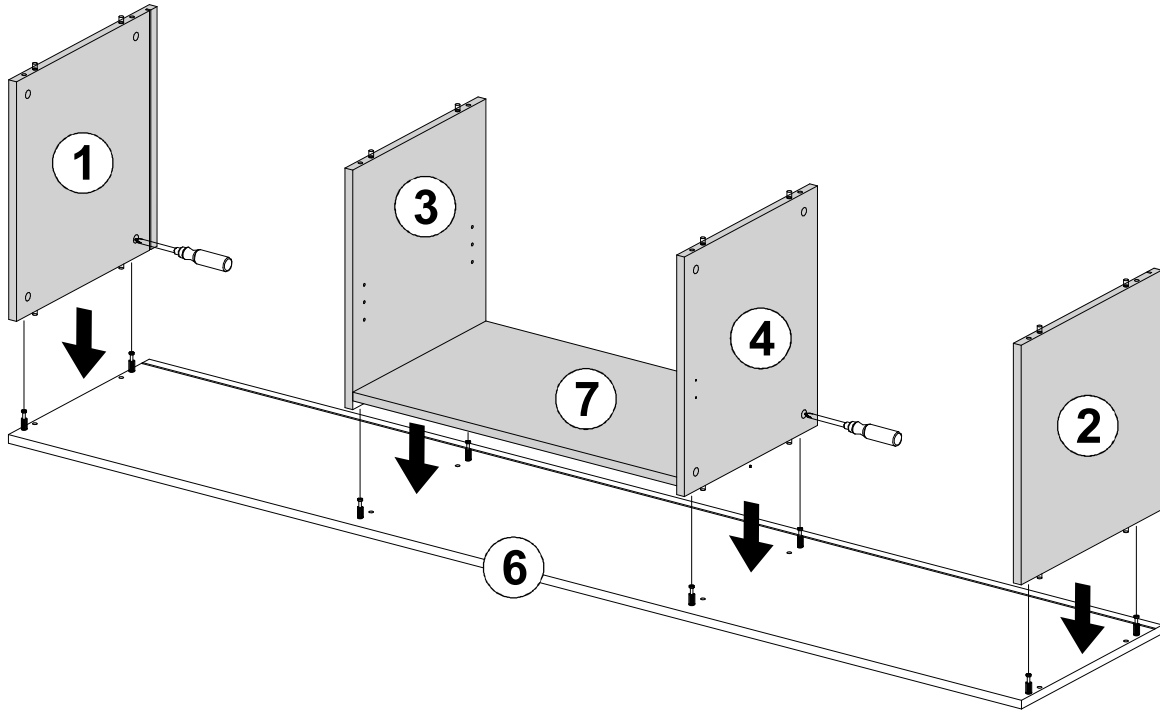


5

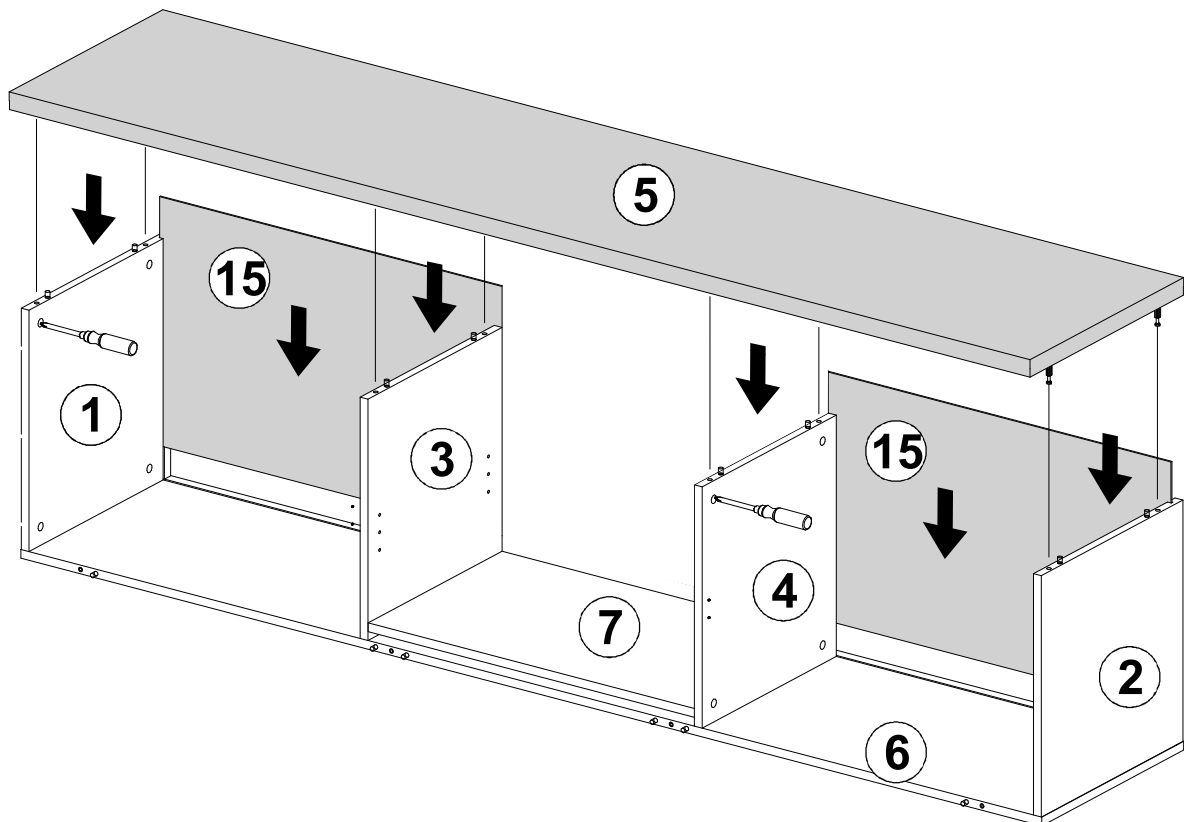
A



B

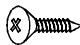


C

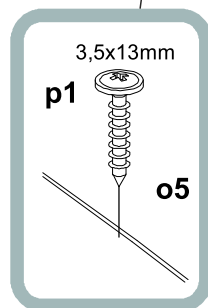
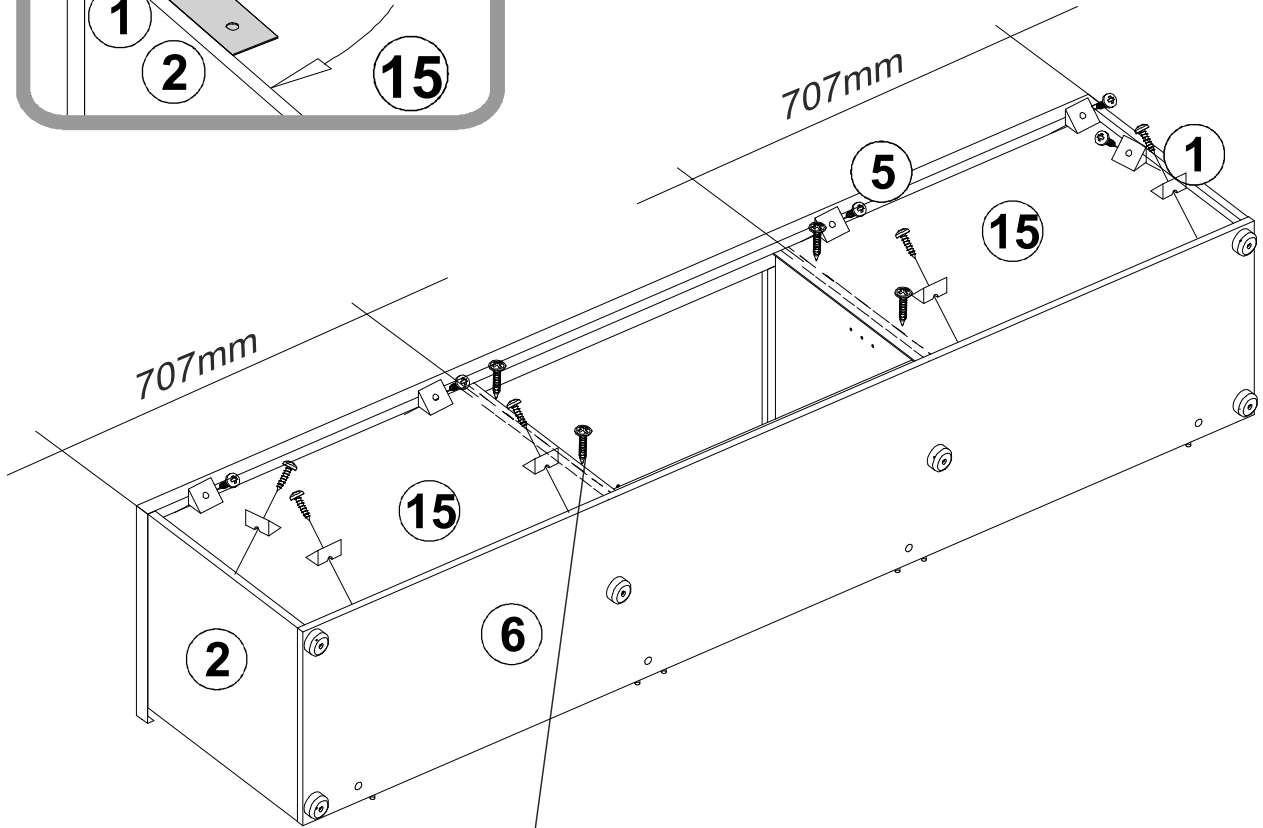
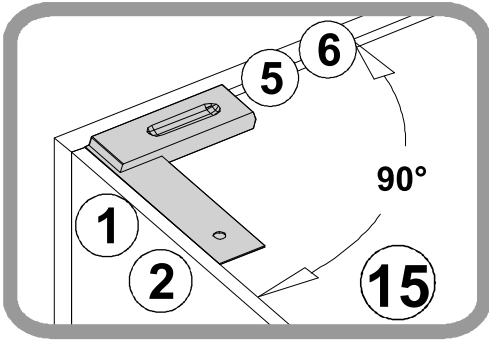


6

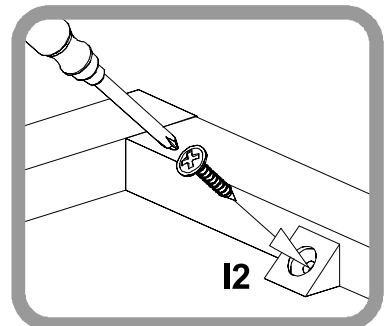
I2  x10

p1  3,5x13 x4


A

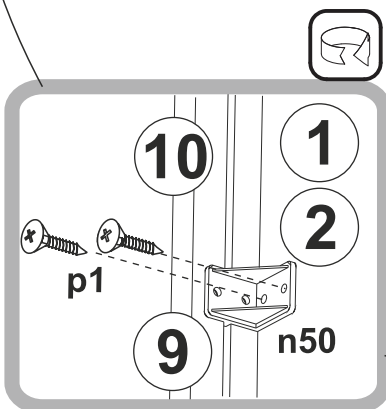
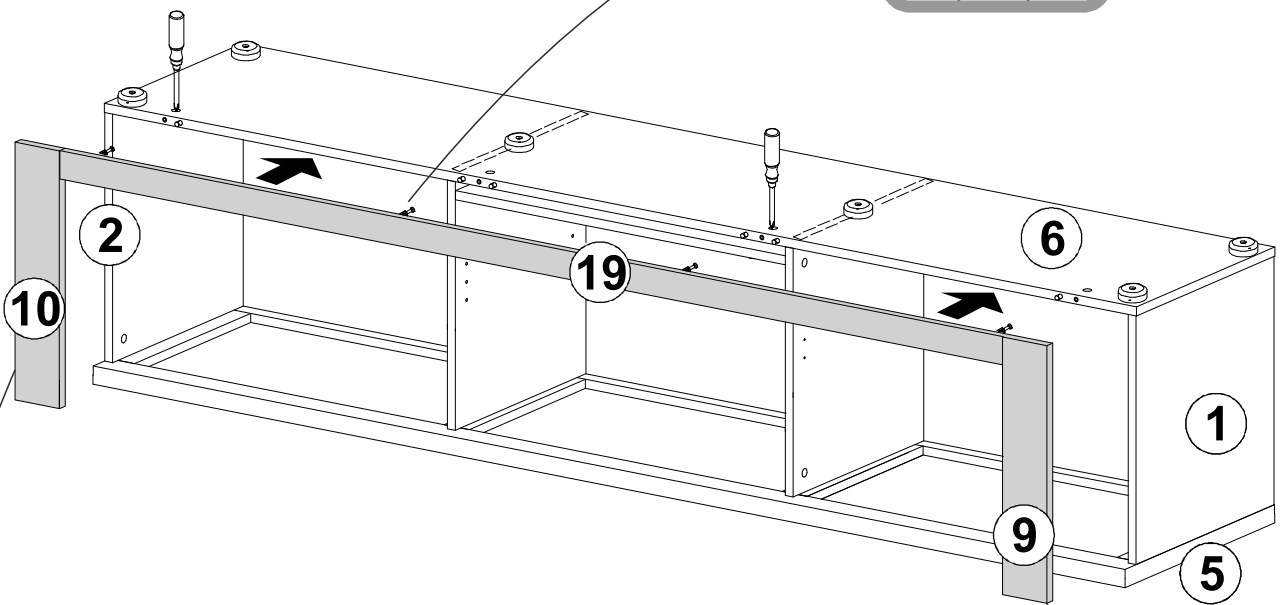
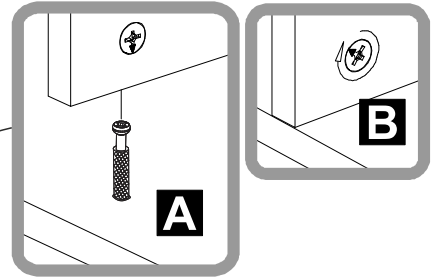


B



7

p1  3,5x13 x8

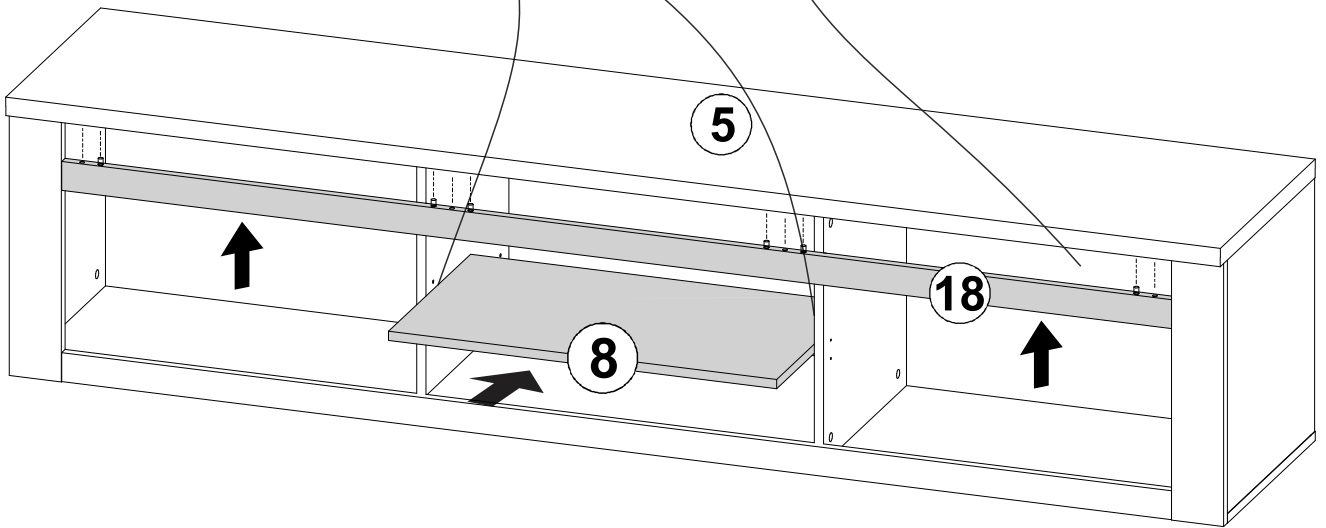
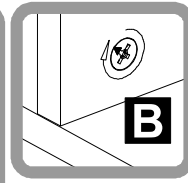
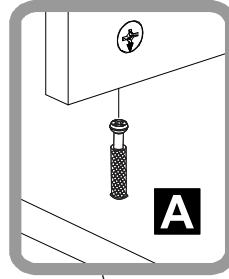
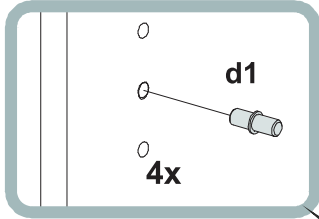


8

d1



x4



9

n5



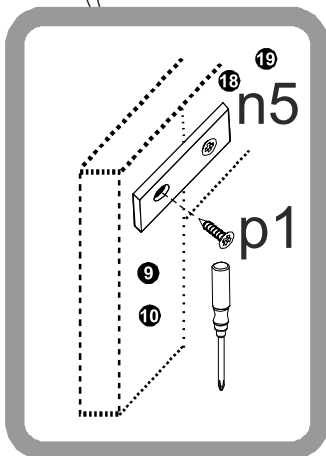
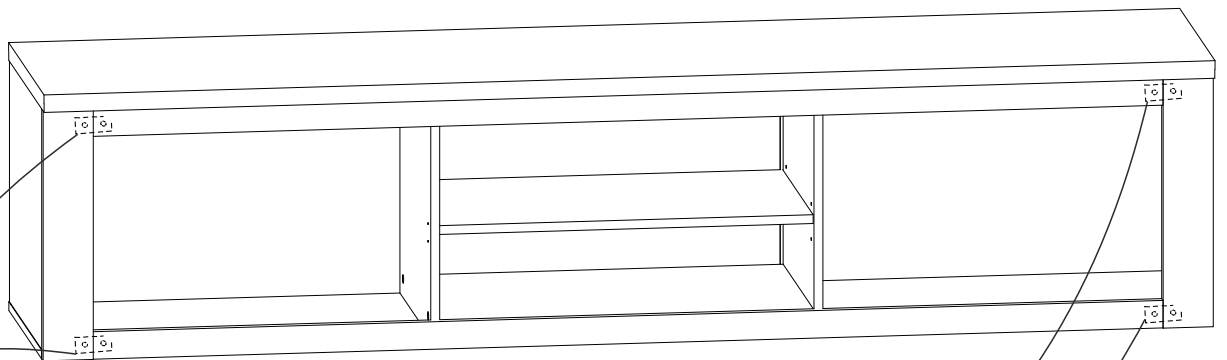
x4

p1

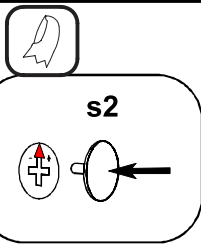






3,5x13

x8



10



- c93**  x2
- j8**  4x25 x4
- s2**  x24
- p1**  3,5x13 x4

