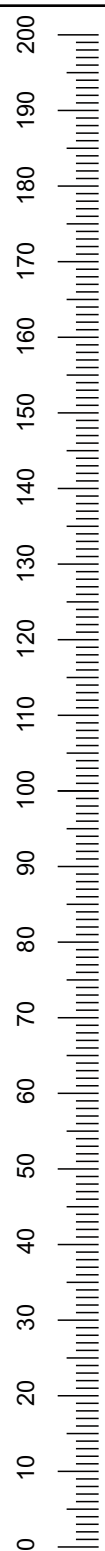
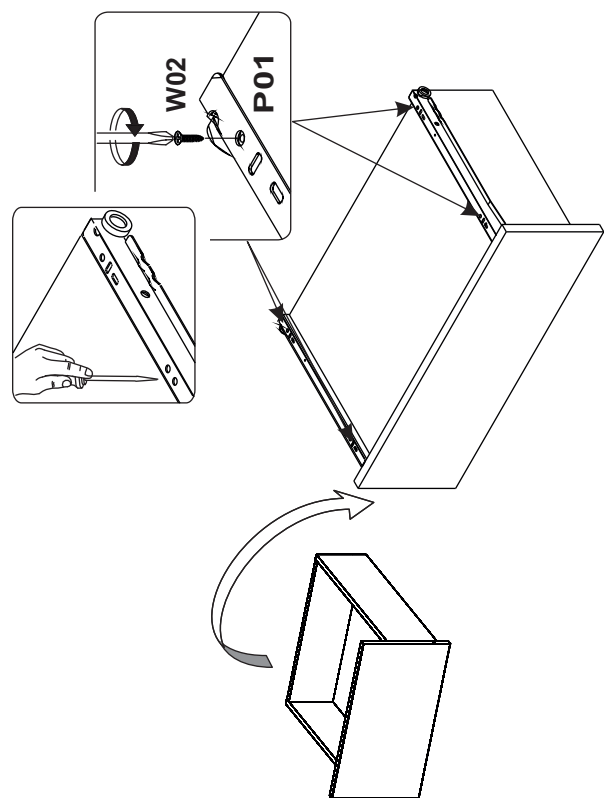
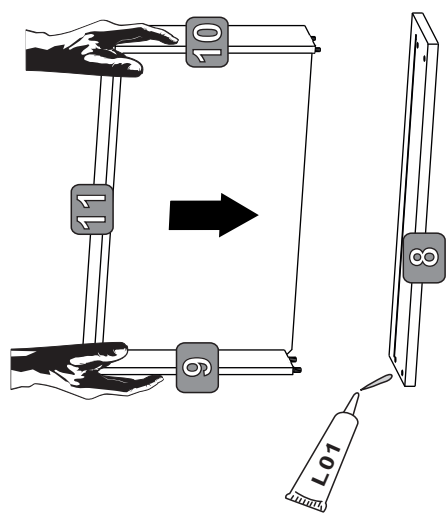
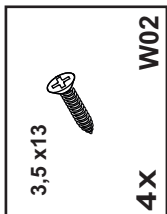
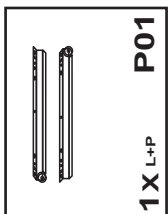
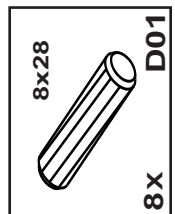
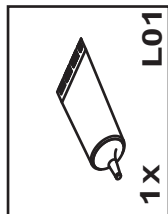
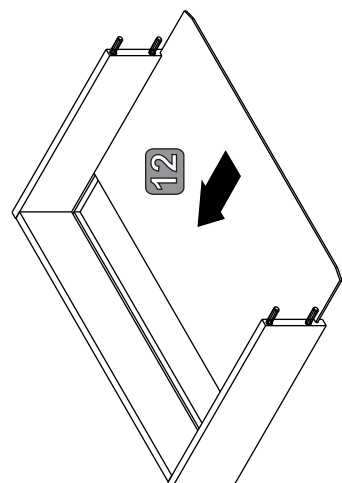
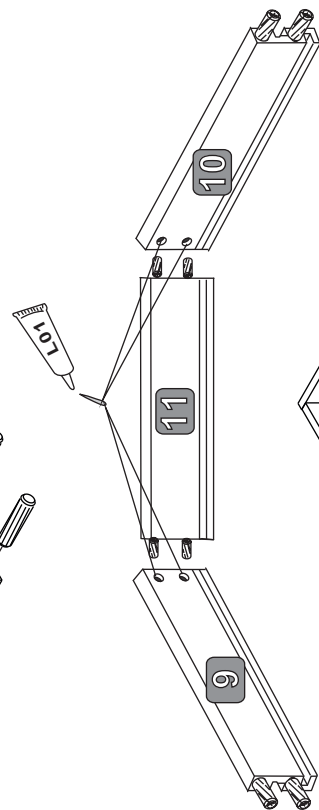
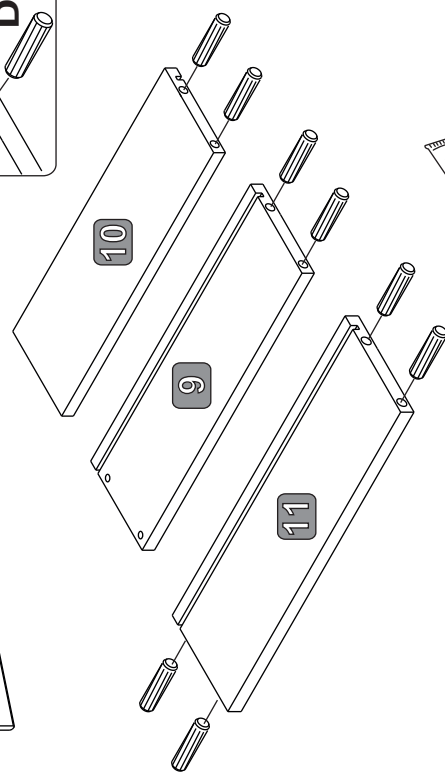
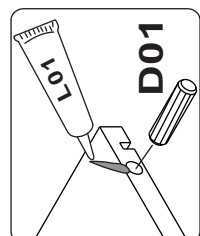
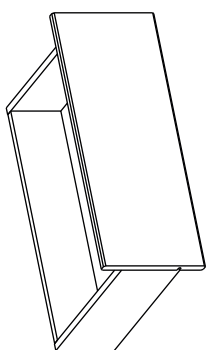


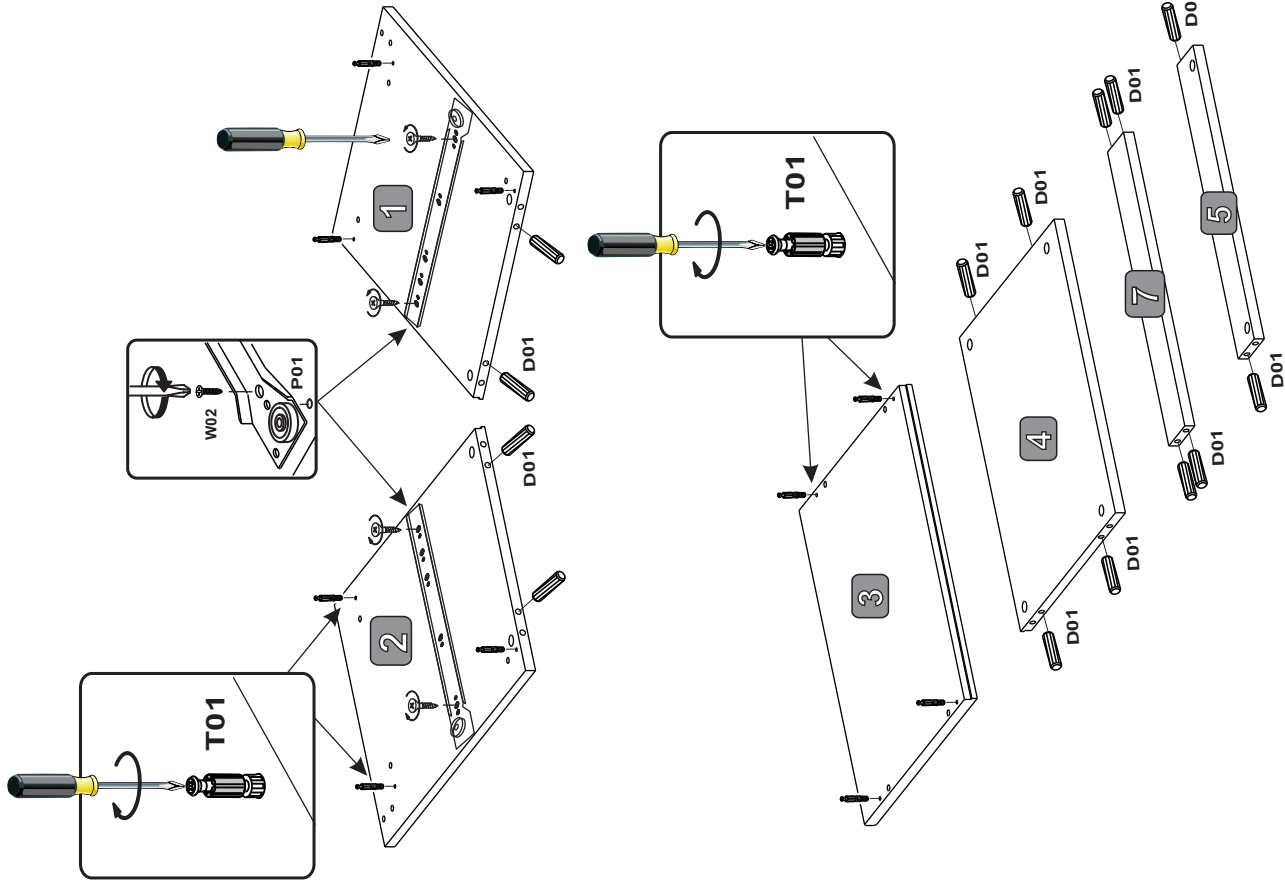
 3,5x13 8 X	 W02 4X	 S01
 1 X L+P P01	 12 X	 G01
 1 X	 L01 1X	 8x28 D01 22X
 10 X	 T02 10X	 T01 10X



1

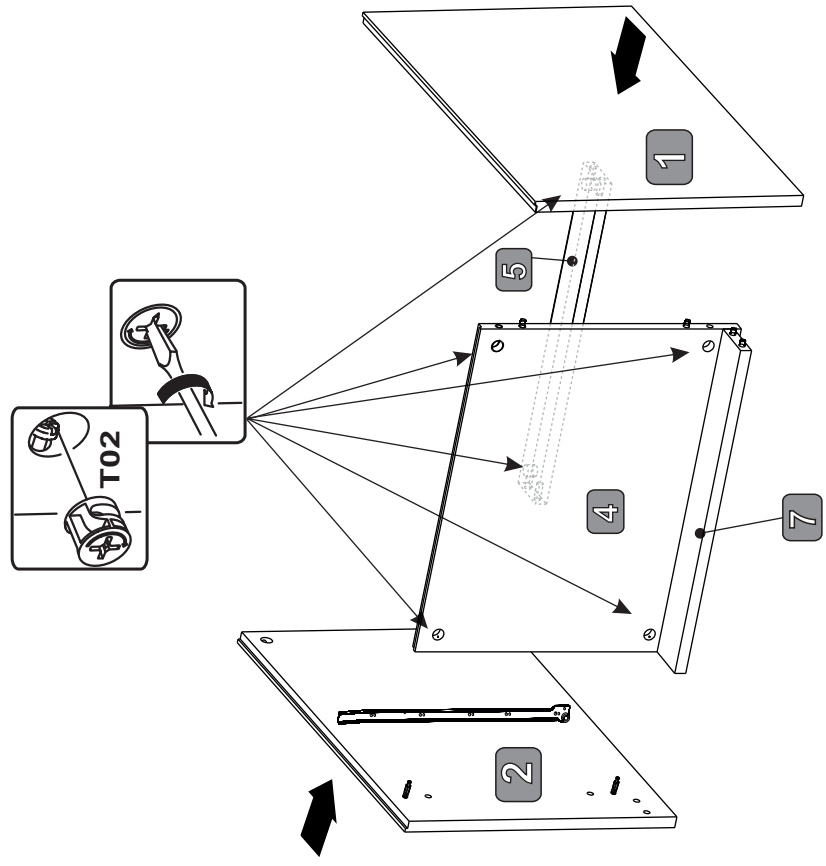


2



3,5 x13	W02		
4 X		1X L+P	P01
		10X	T01
		14X	D01

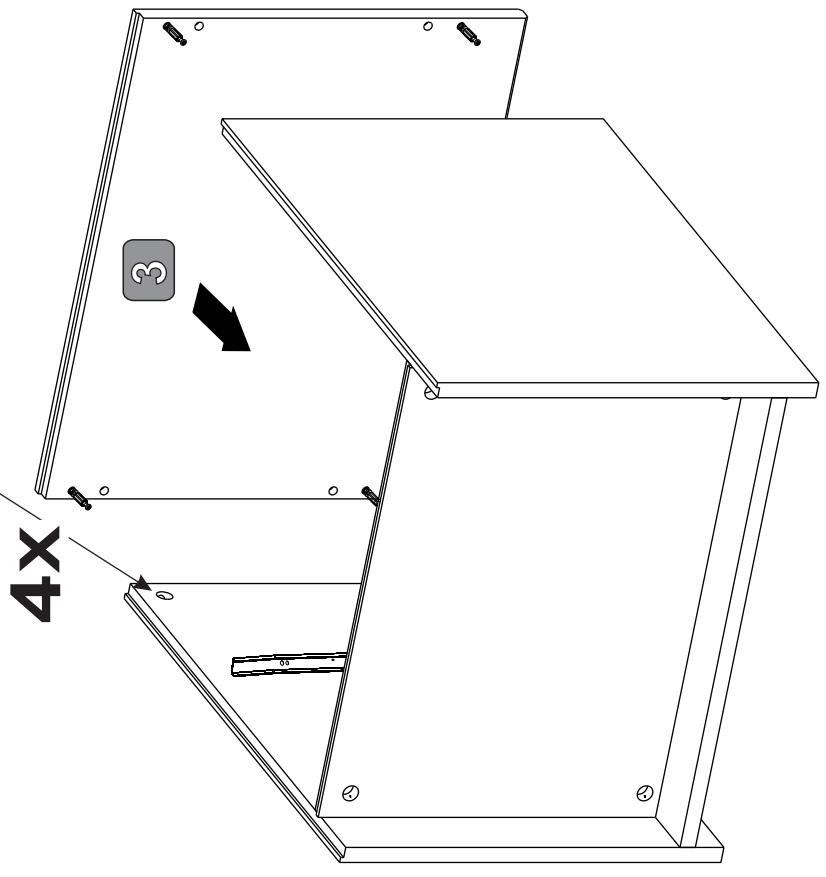
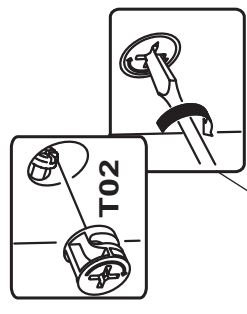
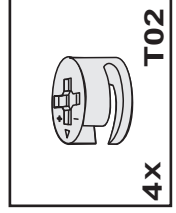
3



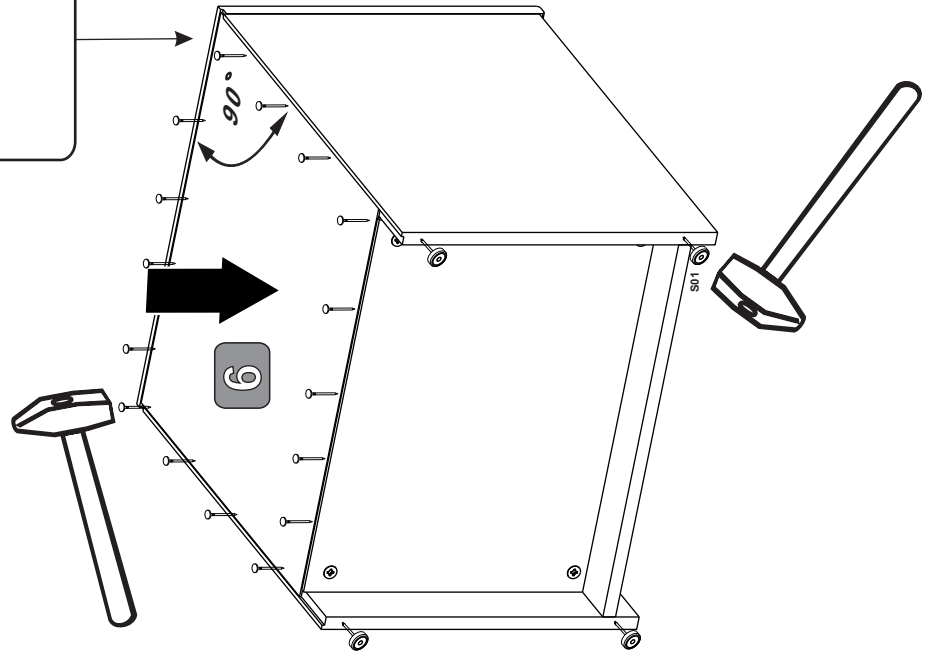
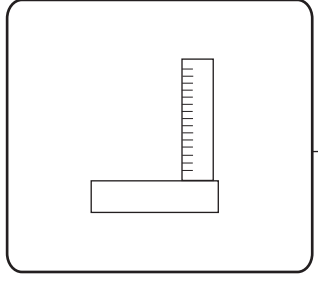
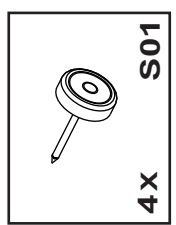
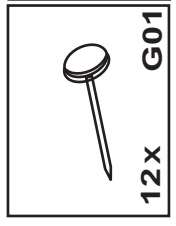
6X	T02
----	-----

4

4

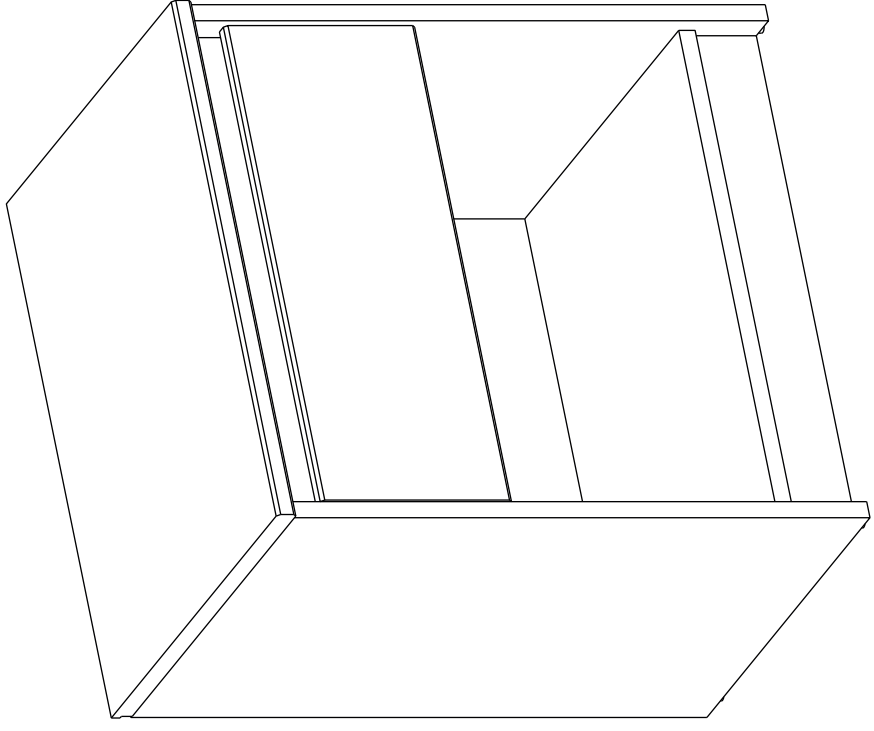


5

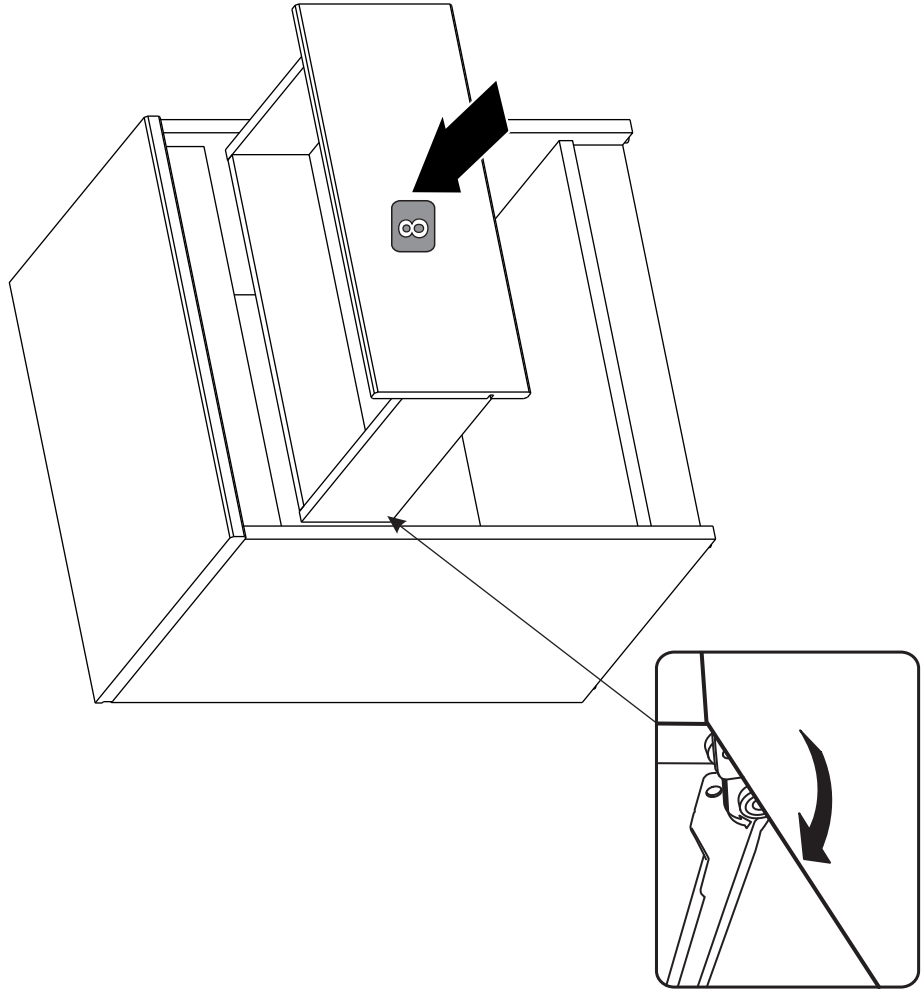


5

6



7



6