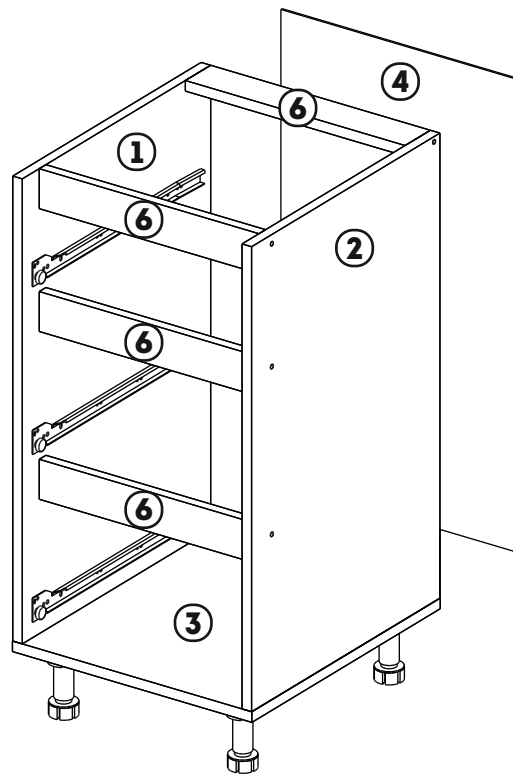
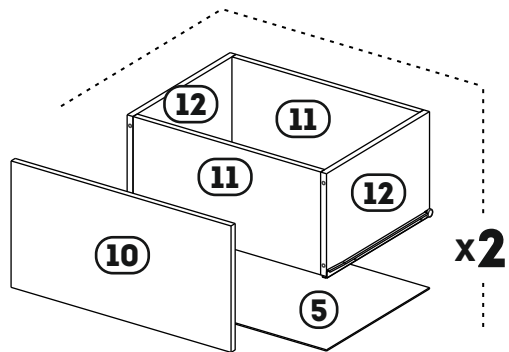
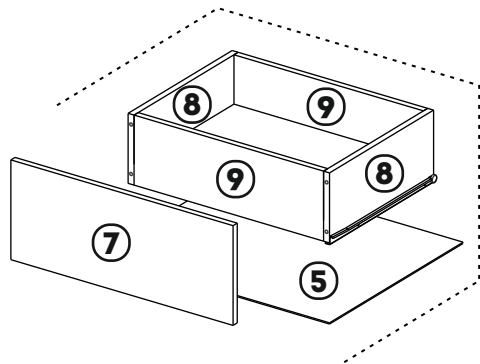
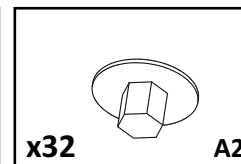
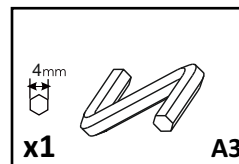
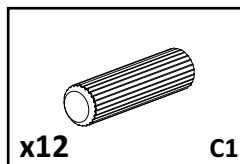
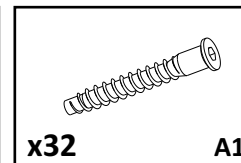
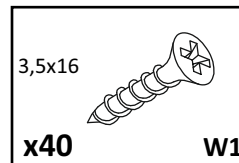
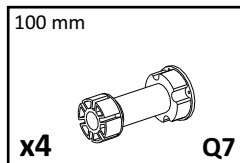
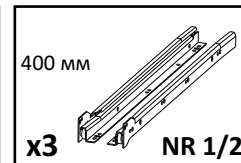
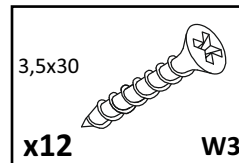
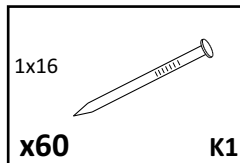


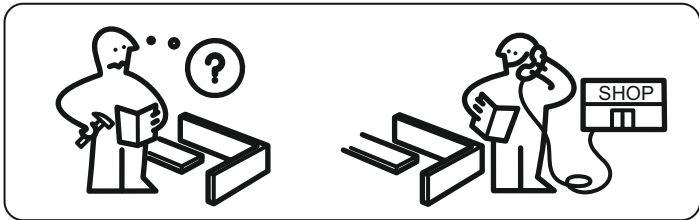
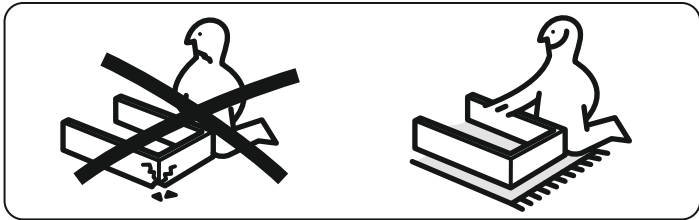
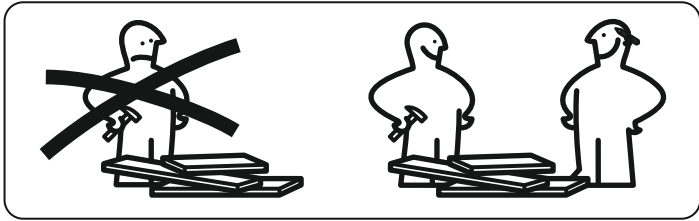
400

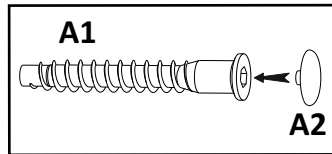
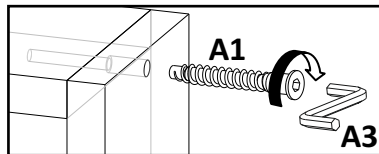
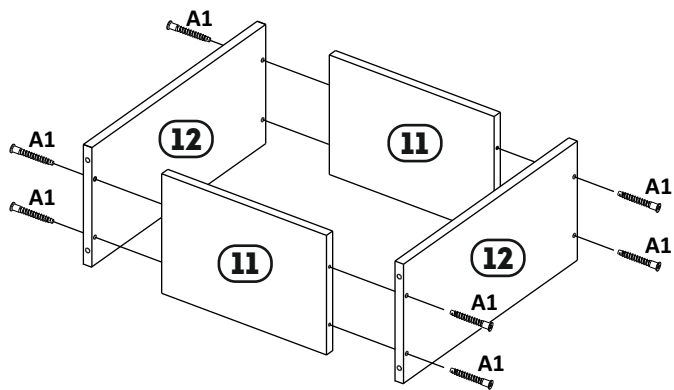
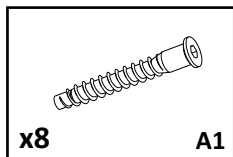
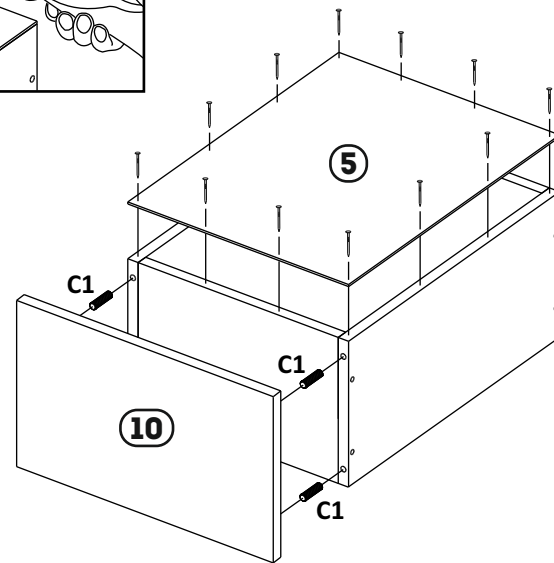
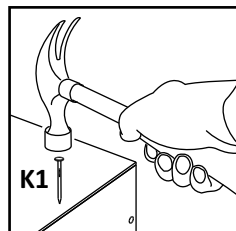
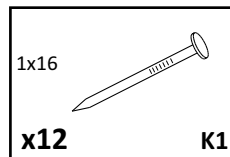
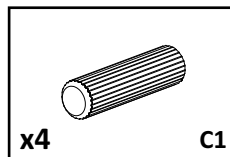


KH-19 (400)

No	a*b	X
1	704x450	1
2	704x450	1
3	401x450	1
4	716x396	1
5	342x400	3
6	368x60	4
7	170x364	1
8	100x400	2
9	100x310	2
10	230x364	2
11	160x310	4
12	160x400	4

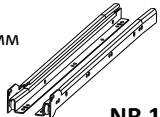




1**2**

3

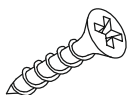
400 mm



x1

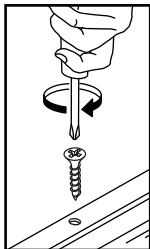
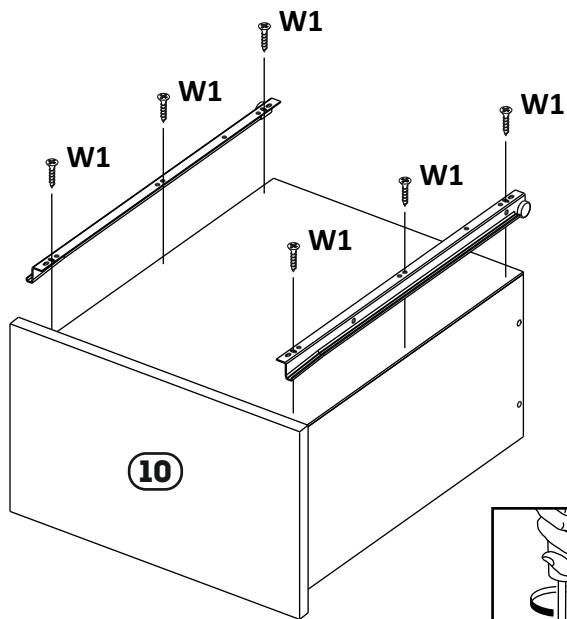
NR 1

3,5x16



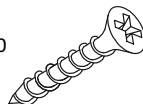
x6

W1



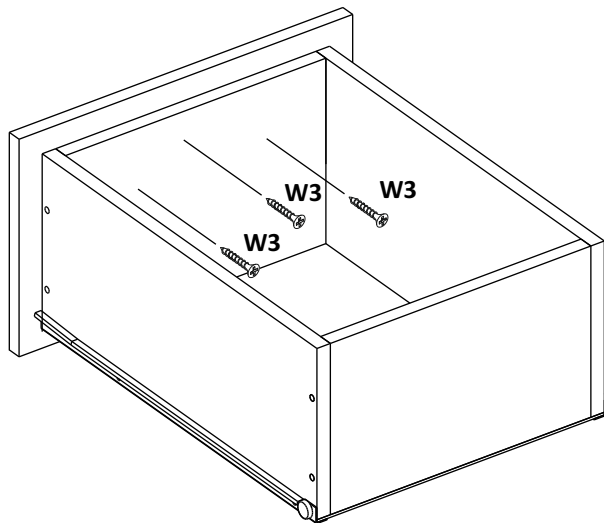
4

3,5x30



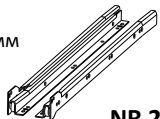
x4

W3

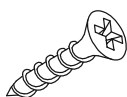
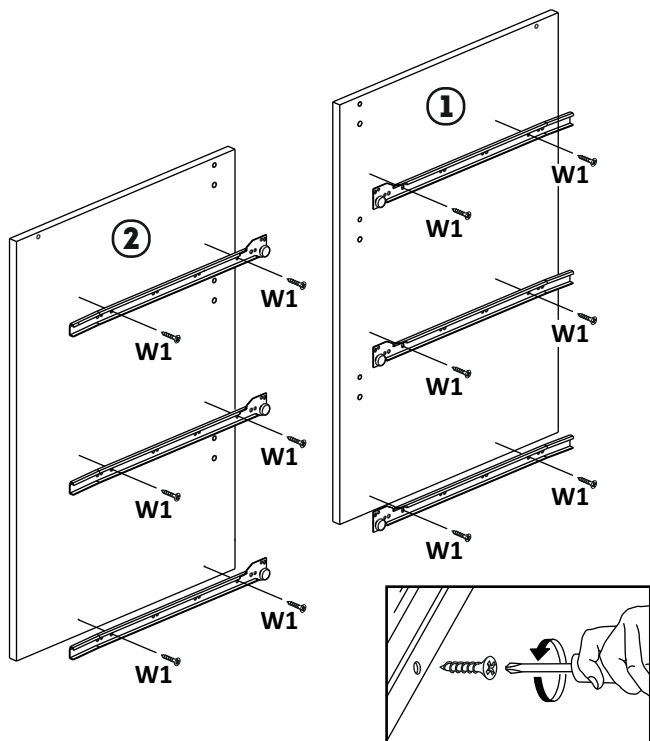


5

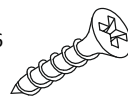
400 mm

**x3****NR 2**

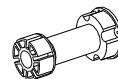
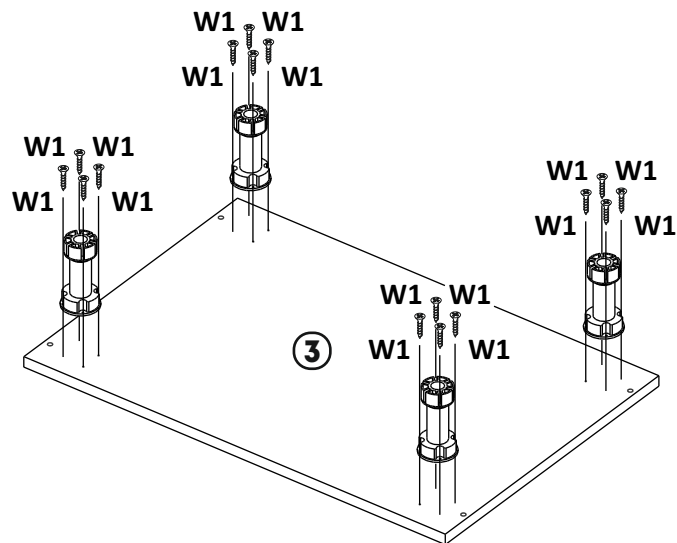
3,5x16

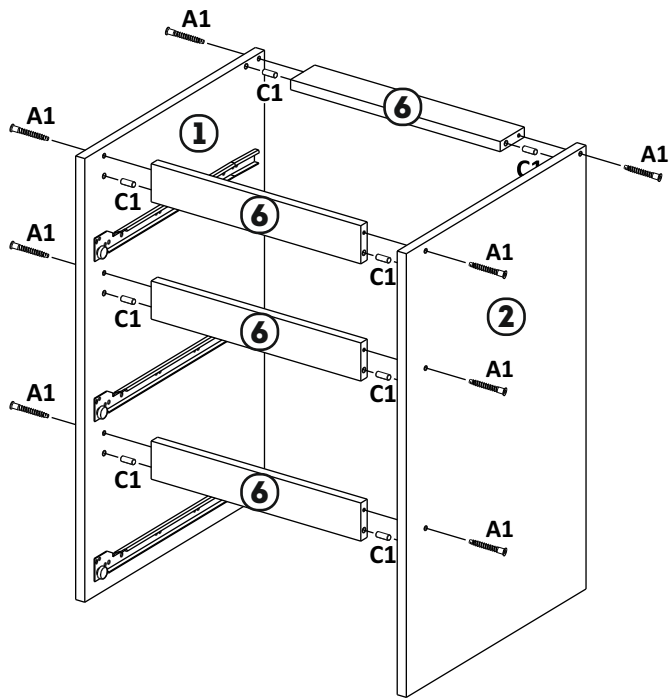
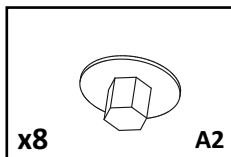
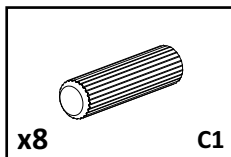
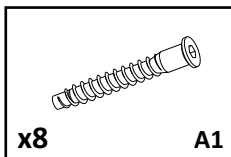
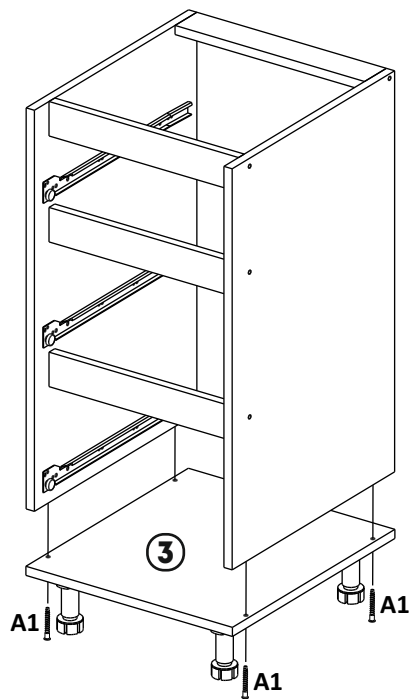
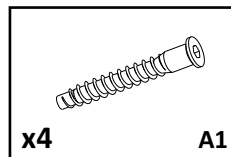
**x12****W1****6**

3,5x16

**x16****W1**

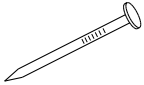
100 mm

**x4****Q7**

7**8**

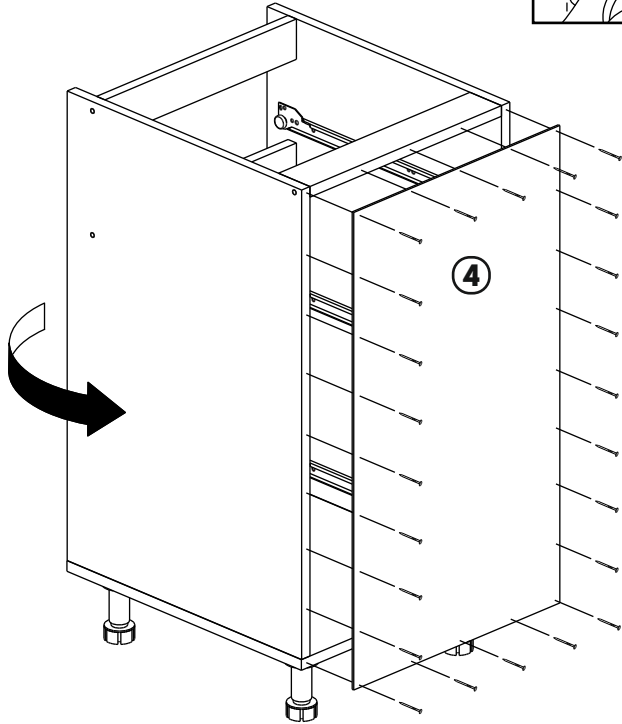
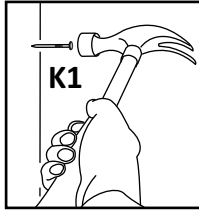
9

1x16



x24

K1



10

